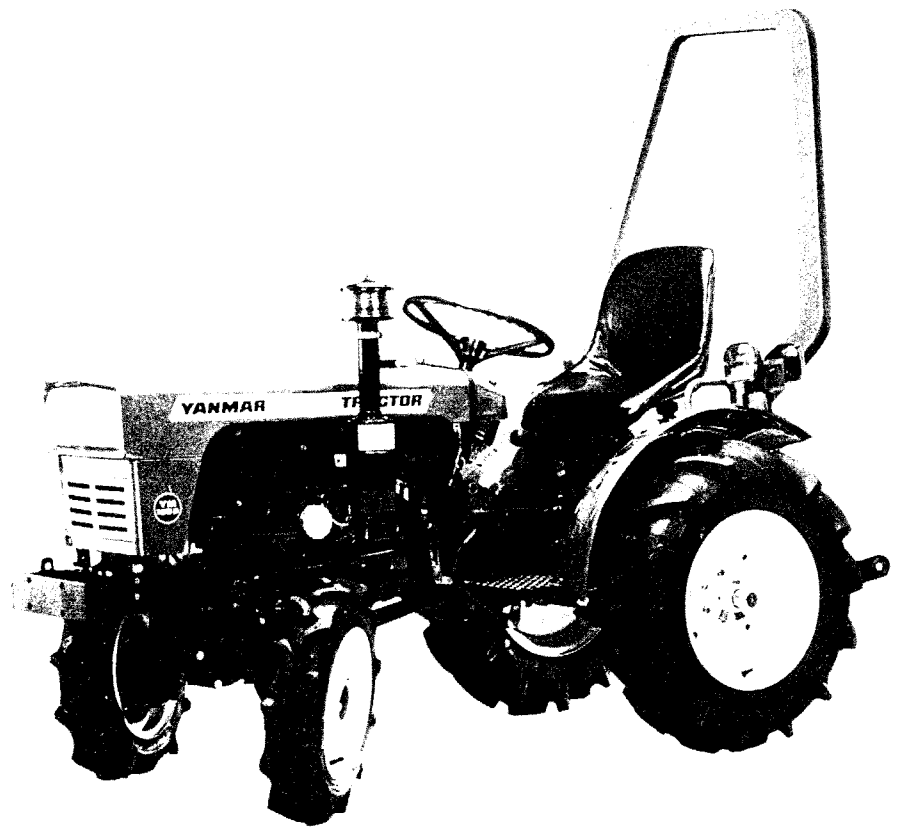


PARTS CATALOG

Pub. No. 000Y00T2371



MODEL

YANMAR DIESEL TRACTOR

MODEL **YM135**
YM135 D
YM155
YM155 D

| | | |
|----------------------|------------------|----------------|
| | First Published: | March, 1976 |
| | First Revised: | November, 1976 |
| | Second Revised: | May, 1978 |
| | Third Revised: | March, 1980 |
| Pub. No. 2K001E1121 | Forth Revised: | March, 1986 |
| Pub. No. 000Y00T1588 | Fifth Revised: | April, 1990 |
| Pub. No. 000Y00T2371 | Fifth | |

YANMAR DIESEL ENGINE CO., LTD.

HOW TO USE THIS PARTS CATALOG

This Parts CATALOG contains all parts of YANMAR Model YM155(D)/YM135(D) tractors manufactured after February, 1976 and is classifying those parts into groups as shown by the index.

Each illustration is followed by the corresponding page of text (list of parts).

In your order sheet, never fail to clear the pertinent tractor model, tractor serial number, engine model and engine serial number as well as the name and part number of the parts you want so that you will be supplied with the right parts.

| | | |
|--------|-------|---------------|
| Model | | |
| YM155 | | 2-wheel drive |
| YM155D | | 4-wheel drive |
| YM135 | | 2-wheel drive |
| YM135D | | 4-wheel drive |

- NOTE:
Parts of which Part No., Description (Part Name) and Q'ty/Unit are crossed out with single line in each case are abolished and no longer available. Please order your replacement parts by new Part Nos.

Example:

| Part No. | Description | Q'ty/Unit | Inter-change-ability |
|-------------------------|------------------------------|--------------|----------------------|
| 194340-26360 | SHAFT, connecting | 1 | Z |
| 194340-26361 | SHAFT, connecting | 1 | N |

The part of which Part No. is 194340-26360 is abolished and no longer available. Order the corresponding replacement part by 194340-26361.

At Text (list of parts)

- Column "Refer. No." "Refer. No." is corresponded with a sketch bearing the same number in the illustration.
- Column "Description" "Description" column includes Part Name, Dimensions, etc.

A) Part Name

In case of an assembly of part, each component part is listed in the "Remarks" column and marked Refer. No.

B) Dimensions

Abbreviations representing dimensions in this parts list are as follows:

| | |
|-----------------------|-------------------------------------|
| c : circumference | PF : pipe screw diameter (parallel) |
| d : diameter | PT : pipe screw diameter (taper) |
| h : high or height | sd : screw diameter |
| id : inner diameter | t : thickness |
| ℓ : length or long | w : width or wide |
| ℓoa : length, overall | z : number of teeth |
| od : outer diameter | |

- Column "Q'ty"
The quantity in this column shows the pieces of the part used in the section of each engine.
- Column "Sales Unit"
"Sales Unit" column indicates the pieces which are contained in a packing case. Accordingly, place an order at sales unit or multiple of it.
(Example: Sales unit 10 ----- make your order by 10, 20, 30 -----.)
- Column "Interchangeability"
The interchangeability of parts for the current type of the YANMAR YM135(D) YM155(D) with those of the previous type is classified as follows:

R : Interchangeable.

S : Not interchangeable.

N : Interchangeable, however the part with its given part number is different but the part for the old type will not longer be available.

Z : Discontinued part.

W : Part incorporated only onto the current type, not existing on the old type.

F : Interchangeable, but subject to the "Remarks"

K : Changed quantity.

- Column "Remarks"
This column shows the modified part and the assembly sales part.
- Under the "Remarks" column, Tractor No. from which a particular change is made is indicated with the pertinent mark [1], [2], [3], [4] or [5] having the following reference.

| Mark Model | [1] | [2] | [3] | [4] | [5] |
|---------------|---------|---------|---------|---------|---------|
| YM155 | 50001 ~ | — | 50030 ~ | 51001 ~ | 51949 ~ |
| YM155D | 50001 ~ | — | 50304 ~ | 51001 ~ | 55799 ~ |
| YM135 | 50001 ~ | — | 50002 ~ | 51001 ~ | 51532 ~ |
| YM135D | 50001 ~ | 50082 ~ | 50151 ~ | 51001 ~ | 51682 ~ |

CONTENTS (1)

| | Page |
|--|------|
| Specifications | i |
| Power Transmission Structural Drawing | iii |
| Engine Sectional View (1) | v |
| Engine Sectional View (2) | vi |
| Engine Sectional View (3) | vii |
| Engine Sectional View (4) | viii |
| Wiring Diagram | ix |
| Travelling Transmission Sectional View (1) | xii |
| Travelling Transmission Sectional View (2) | xiii |
| Travelling Transmission Sectional View (3) | xiv |

—Components—

| | |
|---|----|
| 1. Cylinder Block..... | 1 |
| 2. Gear Case | 7 |
| 3. Cylinder Head | 11 |
| 4. Air Cleaner & Silencer | 17 |
| 4A. Air Cleaner (with Pre-cleaner) [Optional Parts] | 21 |
| 5. Camshaft | 25 |
| 6. Main Bearing & Crankshaft | 27 |
| 7. Piston & Connecting Rod..... | 31 |
| 8. Lubricating Oil System | 33 |
| 9. Cooling Water System | 37 |
| 10. Fuel Injection Pump | 41 |
| 11. Fuel Injection Valve | 45 |
| 12. Fuel Oil System | 47 |
| 13. Governor System | 51 |
| 14. Electric Starting System..... | 55 |
| 15. Starting Motor (Maker : HITACHI) | 57 |
| 16. Generator (Maker : KOKUSAN) | 61 |
| 17. Thermostating Equipment & Silencer (Optional) | 63 |

CONTENTS (2)

| | Page |
|--|------|
| 103. Repair Kit (For Engine) | 67 |
| 104. Gasket Kit (For Engine) | 69 |
| 18. Engine Control (Except ENGLAND) [YM155, YM155D] | 73 |
| 19. Engine Control (ENGLAND) [YM155, YM155D] | 75 |
| 20. Engine Control [YM135, YM135D] | 79 |
| 21. Fuel Tank [YM155, YM155D] | 81 |
| 22. Fuel Tank [YM135, YM135D] | 85 |
| 23. Front Axle (For YM155) | 89 |
| 24. Front Axle (For YM135) | 93 |
| 25. Front Axle (For YM155D) | 97 |
| 26. Front Axle (For YM135D) | 103 |
| 27. Front Axle Interior (YM155D, YM135D)..... | 109 |
| 28. Steering System (YM155, YM155D) | 117 |
| 29. Steering System (YM135, YM135D) | 121 |
| 30. Clutch (Except FRANCE & PORTUGAL) [YM155, YM155D] | 125 |
| 31. Clutch (FRANCE & PORTUGAL) [YM155, YM155D] | 131 |
| 32. Clutch (U.S.A) [YM135, YM135D] | 137 |
| 33. Clutch (FRANCE) [YM135, YM135D] | 143 |
| 34. Transmission Case & Cover (Except ENGLAND) | 149 |
| 35. Transmission Case & Cover (ENGLAND) [YM155, YM155D] | 155 |
| 36. Transmission Interior (Except ENGLAND) [YM155, YM155D] | 159 |
| 37. Transmission Interior (ENGLAND) [YM155, YM155D] | 165 |
| 38. Transmission Interior [YM135, YM135D] | 169 |
| 39. Transmission Control [YM155, YM155D] | 175 |
| 40. Transmission Control [YM135, YM135D] | 181 |
| 41. Rear Axle (Except ENGLAND) [YM155, YM155D] | 187 |
| 42. Rear Axle (ENGLAND) [YM155, YM155D] | 193 |
| 43. Rear Axle [YM135, YM135D] | 197 |
| 44. Differential Lock (Except ENGLAND) [YM155, YM155D] | 203 |
| 45. Differential Lock (ENGLAND) [YM155, YM155D] | 207 |

CONTENTS (3)

| | Page |
|--|------|
| 46. Differential Lock [YM135, YM135D] | 209 |
| 47. Brakes (Except PORTUGAL) [YM155, YM155D] | 213 |
| 48. Brakes (PORTUGAL) [YM155, YM155D] | 217 |
| 49. Brakes [YM135, YM135D] | 221 |
| 50. Front & Rear Tires (U.S.A & S.AFRICA) [YM155]..... | 225 |
| 51. Front & Rear Tires (U.S.A & S.AFRICA) [YM155D]..... | 229 |
| 52. Front & Rear Tires (FRANCE, ENGLAND & PORTUGAL) [YM155]..... | 233 |
| 53. Front & Rear Tires (FRANCE, ENGLAND & PORTUGAL) [YM155D] | 237 |
| 54. Front & Rear Tires (U.S.A) [YM135] | 241 |
| 55. Front & Rear Tires (U.S.A) [YM135D] | 245 |
| 56. Front & Rear Tires (FRANCE) [YM135] | 249 |
| 57. Front & Rear Tires (FRANCE) [YM135D] | 253 |
| 58. Hydraulic Lift | 257 |
| 59. Hydraulic Control Valve | 261 |
| 60. Hydraulic Piping | 265 |
| 61. Electric Parts (U.S.A & S. AFRICA) [YM155, YM155D]..... | 267 |
| 62. Electric Parts (FRANCE) [YM155, YM155D] | 271 |
| 63. Electric Parts (ENGLAND) [YM155, YM155D] | 275 |
| 64. Electric Parts (PORTUGAL) [YM155, YM155D] | 281 |
| 65. Electric Parts (U.S.A) [YM135, YM135D] | 285 |
| 66. Electric Parts (FRANCE) [YM135, YM135D] | 289 |
| 67. Hood (U.S.A. & S. AFRICA) [YM155, YM155D] | 293 |
| 68. Hood (FRANCE) [YM155, YM155D] | 299 |
| 69. Hood (ENGLAND) [YM155, YM155D] | 303 |
| 70. Hood (PORTUGAL) [YM155, YM155D] | 305 |
| 71. Hood (U.S.A) [YM135, YM135D] | 309 |
| 72. Hood (FRANCE) [YM135, YM135D] | 313 |
| 73. Fenders, Steps & Seat (U.S.A. & S. AFRICA) [YM155, YM155D] | 317 |

CONTENTS (4)

| | Page |
|--|------|
| 74. Fenders, Steps & Seat (FRANCE) [YM155, YM155D] | 323 |
| 75. Fenders, Steps & Seat (ENGLAND) [YM155, YM155D] | 329 |
| 76. Fenders, Steps & Seat (PORTUGAL) [YM155, YM155D] | 333 |
| 77. Fenders, Steps & Seat (U.S.A) [YM135, YM135D] | 339 |
| 78. Fenders, Steps & Seat (FRANCE) [YM135, YM135D] | 343 |
| 79. Rear Hitch (Except ENGLAND & PORTUGAL) [YM155, YM155D] | 349 |
| 80. Rear Hitch (ENGLAND & PORTUGAL) [YM155, YM155D] | 351 |
| 81. Three-Point Hitch Category 1 (U.S.A. & S. AFRICA) | 353 |
| 82. Three-Point Hitch Category 0 (Except, S. AFRICA)..... | 357 |
| 83. Throttle Pedal System (Except ENGLAND) | 361 |
| 84. Turn Signal Light (U.S.A) [YM135, YM135D]..... | 363 |
| 85. Work Light | 365 |
| 86. Rear-View Mirror(Portugal) [YM155, YM155D]..... | 367 |
| 87. Rear-View Mirror(Except Portugal) [YM155, YM155D]..... | 369 |
| 88. Rear-View Mirror[YM135, YM135D] | 371 |
| 89. Rear Wheel Weight & Front Weight (Optional)..... | 373 |
| 90. TOOLS | 375 |
| 91. Turf Tires [YM155] | 377 |
| 92. Turf Tires [YM155D] | 379 |
| 93. Turf Tires [YM135, YM135D] | 381 |
| 94. Front P.T.O. [YM155, YM155D] | 383 |
| 95. Front P.T.O. [YM135, YM135D] | 387 |
| 96. Labels (U.S.A) [YM155, YM155D] | 391 |
| 97. Labels (S. AFRICA) [YM155, YM155D] | 395 |
| 98. Labels (FRANCE) [YM155, YM155D] | 399 |
| 99. Labels (ENGLAND) [YM155, YM155D] | 403 |
| 100. Labels (Portugal) [YM155, YM155D] | 407 |
| 101. Labels (U.S.A) [YM135, YM135D] | 411 |
| 102. Labels (FRANCE) [YM135, YM135D] | 416 |
| 105. ROLL BAR (OPTIONAL) | 420 |

CONTENTS (ALPHABETICAL)

| <u>GROUP No.</u> | <u>GROUP NAME</u> |
|------------------|---|
| 4 | AIR CLEANER & SILENCER |
| 4A | AIR CLEANER (WITH PRE-CLEANER) [OPTIONAL PARTS] |
| 47 | BRAKES (EXCEPT PORTUGAL) [YM155, YM155D] |
| 48 | BRAKES (PORTUGAL) [YM155, YM155D] |
| 49 | BRAKES [YM135, YM135D] |
| 5 | CAMSHAFT |
| 30 | CLUTCH (EXCEPT FRANCE & PORTUGAL) [YM155, YM155D] |
| 33 | CLUTCH (FRANCE) [YM135, YM135D] |
| 31 | CLUTCH (FRANCE & PORTUGAL) [YM155, YM155D] |
| 32 | CLUTCH (U.S.A) [YM135, YM135D] |
| 9 | COOLING WATER SYSTEM |
| 1 | CYLINDER BLOCK |
| 3 | CYLINDER HEAD |
| 45 | DIFFERENTIAL LOCK (ENGLAND) [YM155, YM155D] |
| 44 | DIFFERENTIAL LOCK (EXCEPT ENGLAND) [YM155, YM155D] |
| 46 | DIFFERENTIAL LOCK [YM135, YM135D] |
| 63 | ELECTRIC PARTS (ENGLAND) [YM155, YM155D] |
| 66 | ELECTRIC PARTS (FRANCE) [YM135, YM135D] |
| 62 | ELECTRIC PARTS (FRANCE) [YM155, YM155D] |
| 64 | ELECTRIC PARTS (PORTUGAL) [YM155, YM155D] |
| 65 | ELECTRIC PARTS (U.S.A) [YM135, YM135D] |
| 61 | ELECTRIC PARTS (U.S.A. & S.AFRICA) [YM155, YM155D] |
| 14 | ELECTRIC STARTING SYSTEM |
| 19 | ENGINE CONTROL (ENGLAND) [YM155, YM155D] |
| 18 | ENGINE CONTROL (EXCEPT ENGLAND) [YM155, YM155D] |
| 20 | ENGINE CONTROL [YM135, YM135D] |
| 75 | FENDERS, STEPS & SEAT (ENGLAND) [YM155, YM155D] |
| 78 | FENDERS, STEPS & SEAT (FRANCE) [YM135, YM135D] |
| 74 | FENDERS, STEPS & SEAT (FRANCE) [YM155, YM155D] |
| 76 | FENDERS, STEPS & SEAT (PORTUGAL) [YM155, YM155D] |
| 77 | FENDERS, STEPS & SEAT (U.S.A) [YM135, YM135D] |
| 73 | FENDERS, STEPS & SEAT (U.S.A. & S.AFRICA) [YM155, YM155D] |
| 24 | FRONT AXLE (FOR YM135) |
| 26 | FRONT AXLE (FOR YM135D) |
| 23 | FRONT AXLE (FOR YM155) |
| 25 | FRONT AXLE (FOR YM155D) |

CONTENTS (ALPHABETICAL)

| <u>GROUP No.</u> | <u>GROUP NAME</u> |
|------------------|--|
| 27 | FRONT AXLE INTERIOR (YM155D, YM135D) |
| 95 | FRONT P.T.O. [YM135, YM135D] |
| 94 | FRONT P.T.O. [YM155, YM155D] |
| 56 | FRONT & REAR TIRES (FRANCE) [YM135] |
| 57 | FRONT & REAR TIRES (FRANCE) [YM135D] |
| 52 | FRONT & REAR TIRES (FRANCE, ENGLAND & PORTUGAL) [YM155] |
| 53 | FRONT & REAR TIRES (FRANCE, ENGLAND & PORTUGAL) [YM155D] |
| 54 | FRONT & REAR TIRES (U.S.A.) [YM135] |
| 55 | FRONT & REAR TIRES (U.S.A.) [YM135D] |
| 50 | FRONT & REAR TIRES (U.S.A. & S.AFRICA) [YM155] |
| 51 | FRONT & REAR TIRES (U.S.A. & S.AFRICA) [YM155D] |
| 10 | FUEL INJECTION PUMP |
| 11 | FUEL INJECTION VALVE |
| 12 | FUEL SYSTEM |
| 22 | FUEL TANK [YM135, 135D] |
| 21 | FUEL TANK [YM155, 155D] |
| 104 | GASKET KIT (FOR ENGINE) |
| 2 | GEAR CASE |
| 16 | GENERATOR (MAKER : KOKUSAN) |
| 13 | GOVERNDR SYSTEM |
| 69 | HOOD (ENGLAND) [YM155, YM155D] |
| 72 | HOOD (FRANCE) [YM135, YM135D] |
| 68 | HOOD (FRANCE) [YM155, YM155D] |
| 70 | HOOD (PORTUGAL) [YM155, YM155D] |
| 71 | HOOD (U.S.A.) [YM135, YM135D] |
| 67 | HOOD (U.S.A. & S.AFRICA) [YM155, YM155D] |
| 59 | HYDRAULIC CONTROL VALVE |
| 58 | HYDRAULIC LIFT |
| 60 | HYDRAULIC PIPING |
| 99 | LABELS (ENGLAND) [YM155, YM155D] |
| 102 | LABELS (FRANCE) [YM135, YM135D] |
| 98 | LABELS (FRANCE) [YM155, YM155D] |
| 100 | LABELS (PORTUGAL) [YM155, YM155D] |
| 97 | LABELS (S.AFRICA) [YM155, YM155D] |
| 101 | LABELS (U.S.A.) [YM135, YM135D] |
| 96 | LABELS (U.S.A.) [YM155, YM155D] |

CONTENTS (ALPHABETICAL)

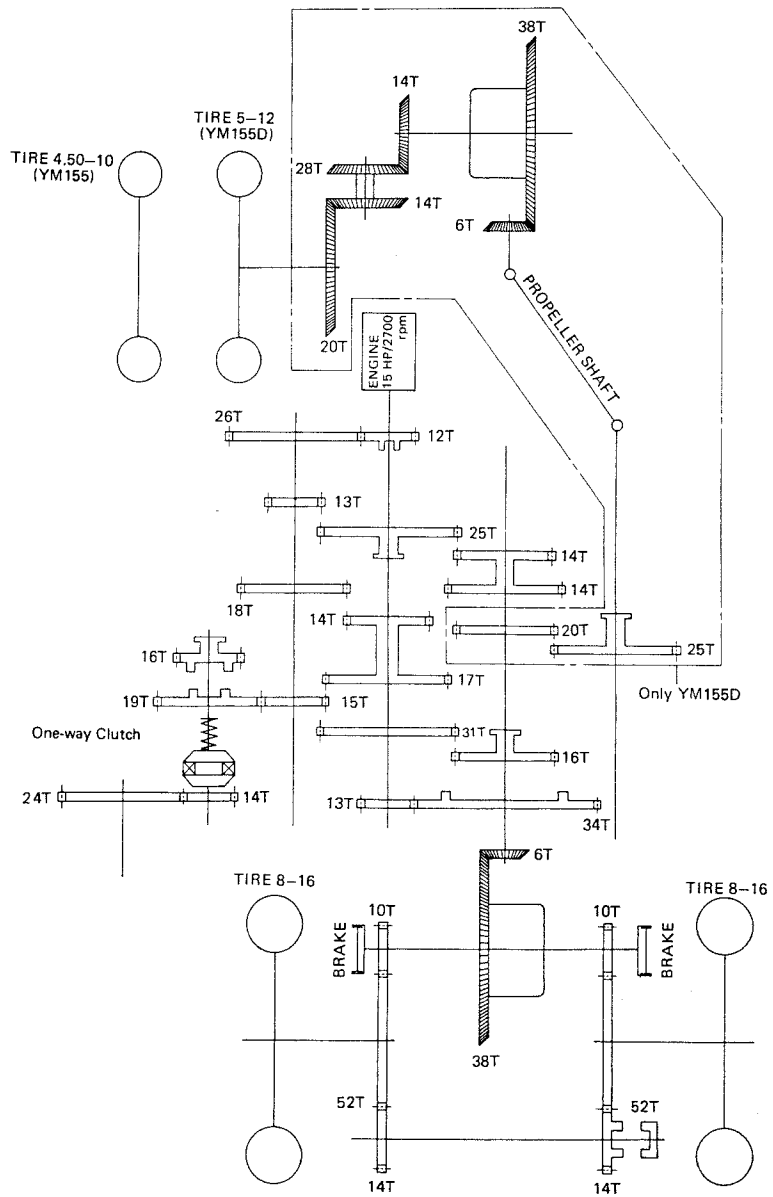
| <u>GROUP No.</u> | <u>GROUP NAME</u> |
|------------------|--|
| 8 | LABBRICATING OIL SYSTEM |
| 6 | MAIN BEARING & CRANKSHAFT |
| 7 | PISTON & CONNECTING ROD |
| 42 | REAR AXLE (ENGLAND) [YM155, YM155D] |
| 41 | REAR AXLE (EXCEPT ENGLAND) [YM155, YM155D] |
| 43 | REAR AXLE [YM135, YM135D] |
| 80 | REAR HITCH (ENGLAND & PORTUGAL) [YM155, YM155D] |
| 79 | REAR HITCH (EXCEPT ENGLAND & PORTUGAL) [YM155, YM155D] |
| 87 | REAR VIEW MIRROR (EXCEPT PORTUGAL) [YM155, YM155D] |
| 86 | REAR-VIEW MIRROR (PORTUGAL) [YM155, YM155D] |
| 88 | REAR-VIEW MIRROR [YM135, YM135D] |
| 89 | REAR WHEEL WEIGHT & FRONT WEIGHT (OPTIONAL) |
| 103 | REPAIR KIT (FOR ENGINE) |
| 105 | ROLL BAR (OPTIONAL) |
| 15 | STARTING MOTOR (MAKER : HITACHI) |
| 29 | STEERING SYSTEM (YM135, YM135D) |
| 28 | STEERING SYSTEM (YM155, YM155D) |
| 17 | THERMOSTARTING EQUIPMENT & SILENCER (OPTIONAL) |
| 82 | THREE-POINT HITCH CATEGORY 0 (EXCEPT S.AFRICA) |
| 81 | THREE POINT HITCH CATEGORY 1 (U.S.A.& S.AFRICA) |
| 83 | THROTTLE PEDAL SYSTEM (EXCEPT ENGLAND) |
| 90 | TOOLS |
| 35 | TRANSMISSION CASE & COVER (ENGLAND) [YM155, YM155D] |
| 34 | TRANSMISSION CASE & COVER (EXCEPT ENGLAND) |
| 40 | TRANSMISSION CONTROL [YM135, YM135D] |
| 39 | TRANSMISSION CONTROL [YM155, YM155D] |
| 37 | TRANSMISSION INTERIOR (ENGLAND) [YM155, YM155D] |
| 36 | TRANSMISSION INTERIOR (EXCEPT ENGLAND) [YM155, YM155D] |
| 38 | TRANSMISSION INTERIOR [YM135, YM135D] |
| 93 | TURF TIRES [YM135, YM135D] |
| 91 | TURF TIRES [YM155] |
| 92 | TURF TIRES [YM155D] |
| 84 | TURN SIGNAL LIGHT (U.S.A.) [YM135, YM135D] |
| 85 | WORK LIGHT |

SPECIFICATIONS

| Model | YM155 | YM155D | YM135 | YM135D |
|-------------------------------|--|-----------------------------|------------------------------------|-----------------------------|
| | 2-wheel drive | | 4-wheel drive | |
| Dimensions | | | | |
| Overall length | | | | |
| with 3-point hitch | 99.2" (2520 mm) | | 91.7" (2300 mm) | 93.1" (2365 mm) |
| without 3-point hitch | 81.3" (2065 mm) | | 73.0" (1855 mm) | 74.4" (1890 mm) |
| Overall width | 37.6" (956 mm) | | 35.4" (900 mm) | |
| Overall height | | | | |
| to muffler end | 64.8" (1645 mm) | | | |
| to steering wheel | 45.7" (1160 mm) | | 44.5" (1130 mm) | |
| Wheel base | 48.8" (1240 mm) | | 45.7" (1160 mm) | 48.9" (1240 mm) |
| Tread front | 28.7" (730 mm) | 29.3" (745 mm) | 26.4" (670 mm) | 29.3" (745 mm) |
| Tread rear | 27.6 ~ 33.5" (700 ~ 850 mm) | | 23.6 ~ 31.6" (600 ~ 800 mm) | |
| Ground clearance | | | | |
| Front axle | 12.0" (304 mm) | 9.8" (250 mm) | 12.2" (310 mm) | 9.6" (245 mm) |
| Drawbar | 10.4" (265 mm) | 10.4" (265 mm) | 9.6" (245 mm) | 9.6" (245 mm) |
| Weights | | | | |
| Total weight | 1057.3 lbs. (480 kg) | 1145.4 lbs. (520 kg) | 991.2 lbs. (450 kg) | 1090.3 lbs. (495 kg) |
| Front | 480.2 lbs. (218 kg) | 563.9 lbs. (256 kg) | 449.3 lbs. (204 kg) | 535.2 lbs. (243 kg) |
| Rear | 577.1 lbs. (262 kg) | 581.5 lbs. (264 kg) | 541.9 lbs. (246 kg) | 555.1 lbs. (252 kg) |
| Engine | | | | |
| Model | 2TR13A | | 2T73A | |
| Type | Vertical, water cooled, 4-cycle diesel | | | |
| No. of cylinders | 2 | | | |
| Piston displacement | 40.4 cu. inch (662 cc) | | 38.3 cu. inch (627 cc) | |
| Bore x stroke | 2.953" x 2.953" (75 mm x 75 mm) | | 2.874" x 2.953" (73 mm x 75 mm) | |
| Max. bare horse power | 15 HP at 2700 rpm | | 13 HP at 2700 rpm | |
| Compression ratio | 23 : 1 | | | |
| Capacity | | | | |
| Fuel tank | 4.0 U.S. gal. (15 ltr.) | | 2.5 U.S. gal. (9.5 ltr.) | |
| Cooling system | 0.8 U.S. gal. (3.2 ltr.) | | 0.8 U.S. gal. (3.2 ltr.) | |
| Crankcase | 0.6 U.S. gal. (2.4 ltr.) | | 0.6 U.S. gal. (2.4 ltr.) | |
| Air cleaner | Dry type | | | |
| Transmission-hydraulic system | 2.5 U.S. gal. (9.5 ltr.) | 2.4 U.S. gal. (9.0 ltr.) | 2.5 U.S. gal. (9.5 ltr.) | 2.4 U.S. gal. (9.0 ltr.) |

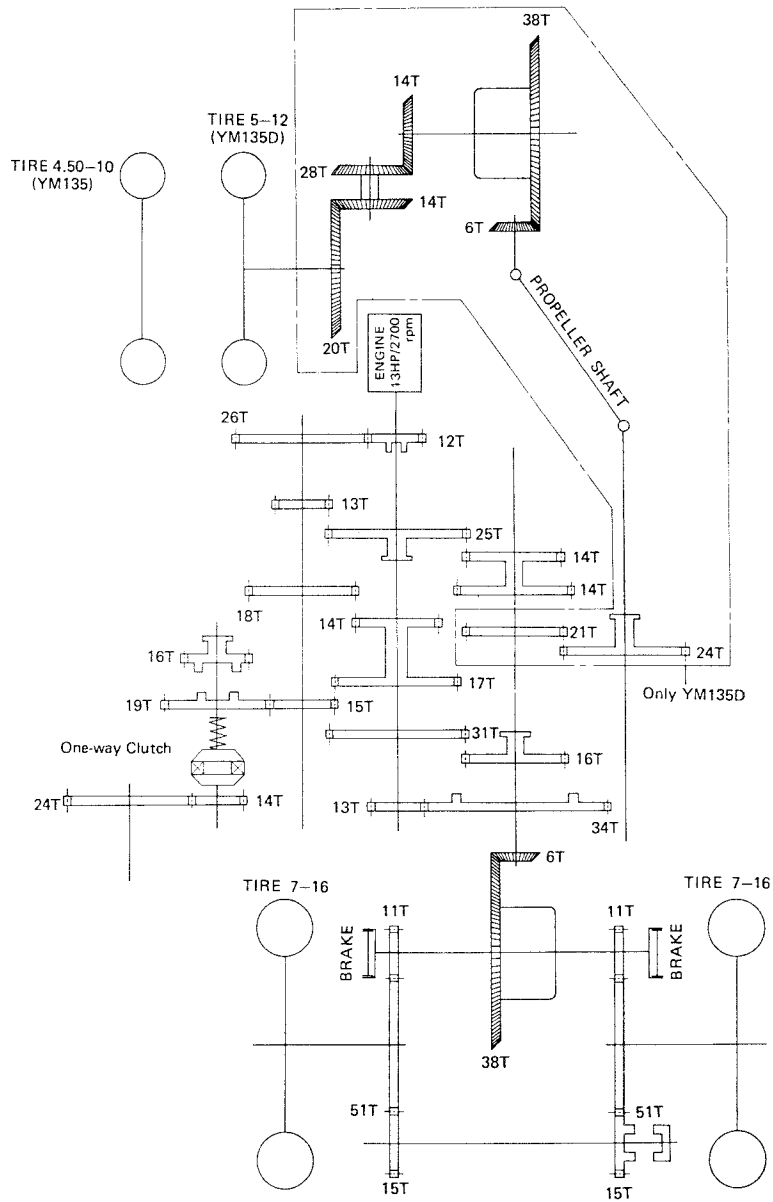
| Model | YM155 | YM155D | YM135 | YM135D |
|--------------------------|--|----------------------|----------------------|----------------------|
| Electrical system | | | | |
| Battery | | 12 V - 35 AH | | |
| A.C. generator | | 12 V - 110 W | | |
| Starter motor | | 12 V - 1.2 kW | | |
| Thermostart (Optional) | | 12 V - 13 A | | |
| Clutch | Dry single disc, mechanical type | | | |
| Transmission | Mechanical, constant-mesh/selective-mesh gears combination 6-speed for forward, 2-speed for reverse | | | |
| Final drive | Spiral gears reduction drive | | | |
| Differential lock | Foot operated mechanical lock | | | |
| Travel speed | | | | |
| Forward | | | | |
| 1st | 0.67 mph | (1.07 kph) | 0.71 mph | (1.14 kph) |
| 2nd | 1.13 mph | (1.82 kph) | 1.20 mph | (1.93 kph) |
| 3rd | 1.65 mph | (2.65 kph) | 1.75 mph | (2.81 kph) |
| 4th | 3.37 mph | (5.43 kph) | 3.57 mph | (5.75 kph) |
| 5th | 5.73 mph | (9.22 kph) | 6.07 mph | (9.76 kph) |
| 6th | 8.36 mph | (13.43 kph) | 8.84 mph | (14.23 kph) |
| Reverse | | | | |
| 1st | 0.92 mph | (1.48 kph) | 0.98 mph | (1.57 kph) |
| 2nd | 4.67 mph | (7.52 kph) | 4.95 mph | (7.97 kph) |
| Brakes | Dry, internal expansion mechanical type | | | |
| Tires | | | | |
| Front | 4.50-10-2 | 5-12-2 | 4.50-10-2 | 5-12-2 |
| Rear | ply rating 8-16-4 | ply rating 8-16-4 | ply rating 7-16-4 | ply rating 7-16-4 |
| P.T.O. | | | | |
| Spline | SAE 1-3/8 inch | | | |
| Direction of rotation | Clock wise viewed from driving end | | | |
| Speed | 540 and 770 rpm (at 2540 rpm engine speed) | | | |
| Power lift | | | | |
| Type | Hydraulic, 3-point hitch Category O or 1 with select control | | | |
| Max. lift capacity | 926 lbs. (420 kg) | | | |
| Drawbar | Offset type | | | |

YM155/YM155D POWER TRANSMISSION STRUCTURAL DRAWING



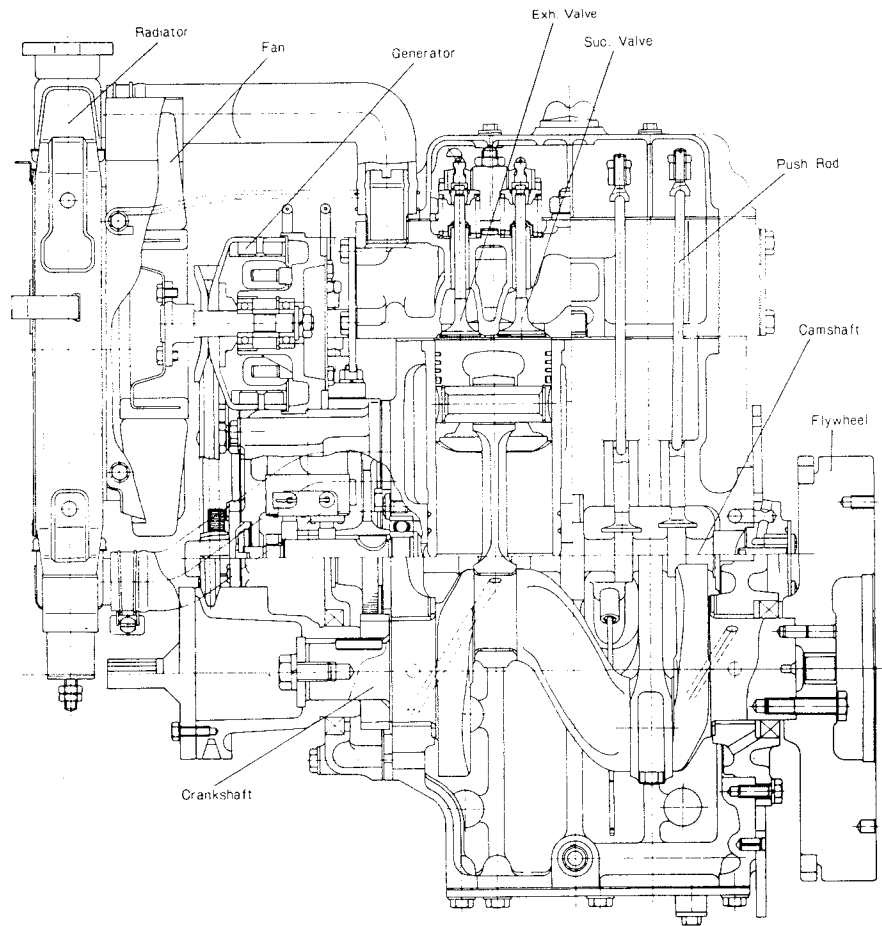
iii

YM135/YM135D POWER TRANSMISSION STRUCTURAL DRAWING

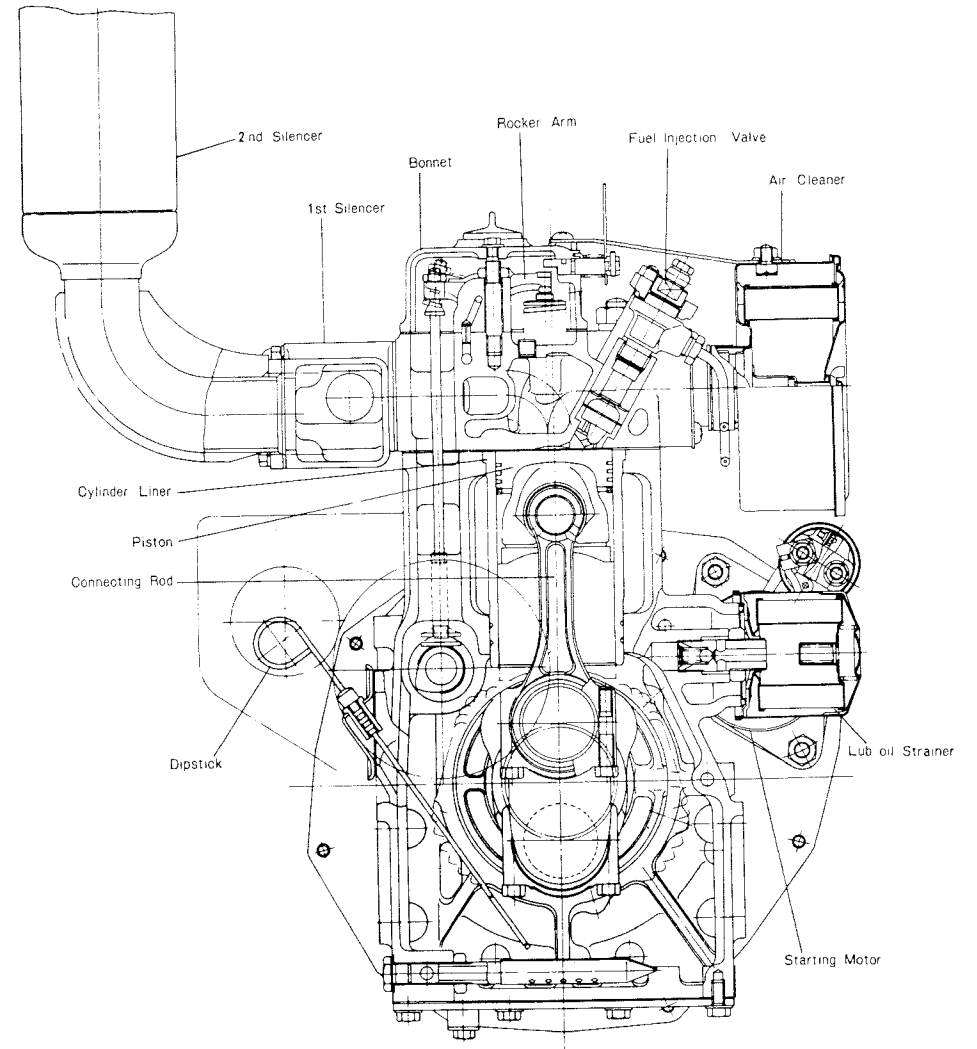


iv

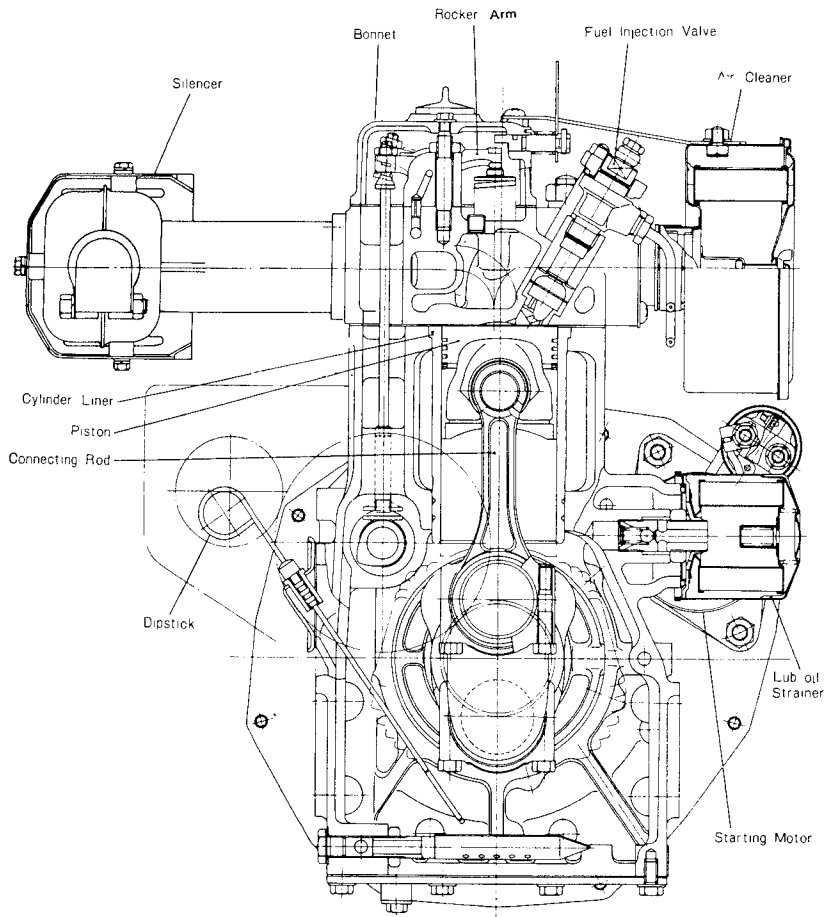
2T73A-2TR13A ENGINE SECTIONAL VIEW (1)



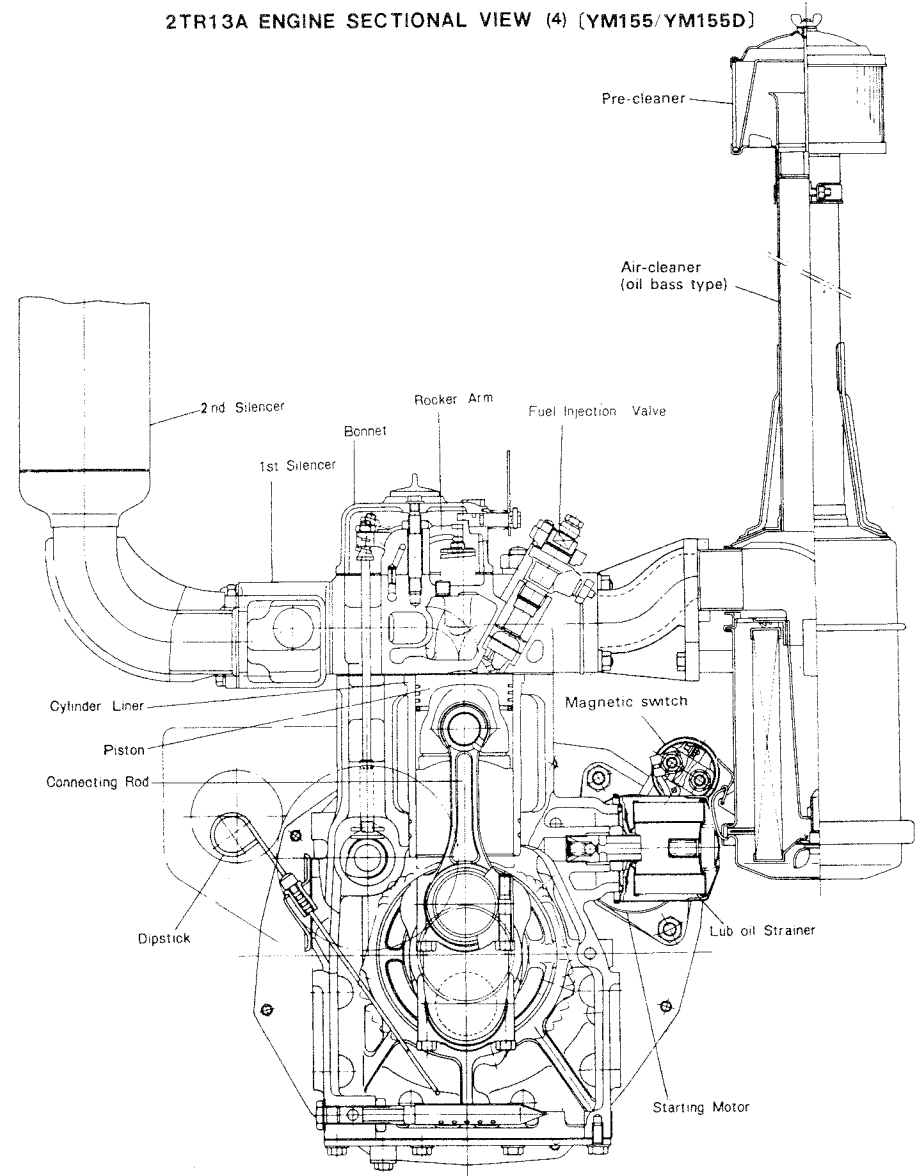
2TR13A ENGINE SECTIONAL VIEW (2) (YM155/YM155D)



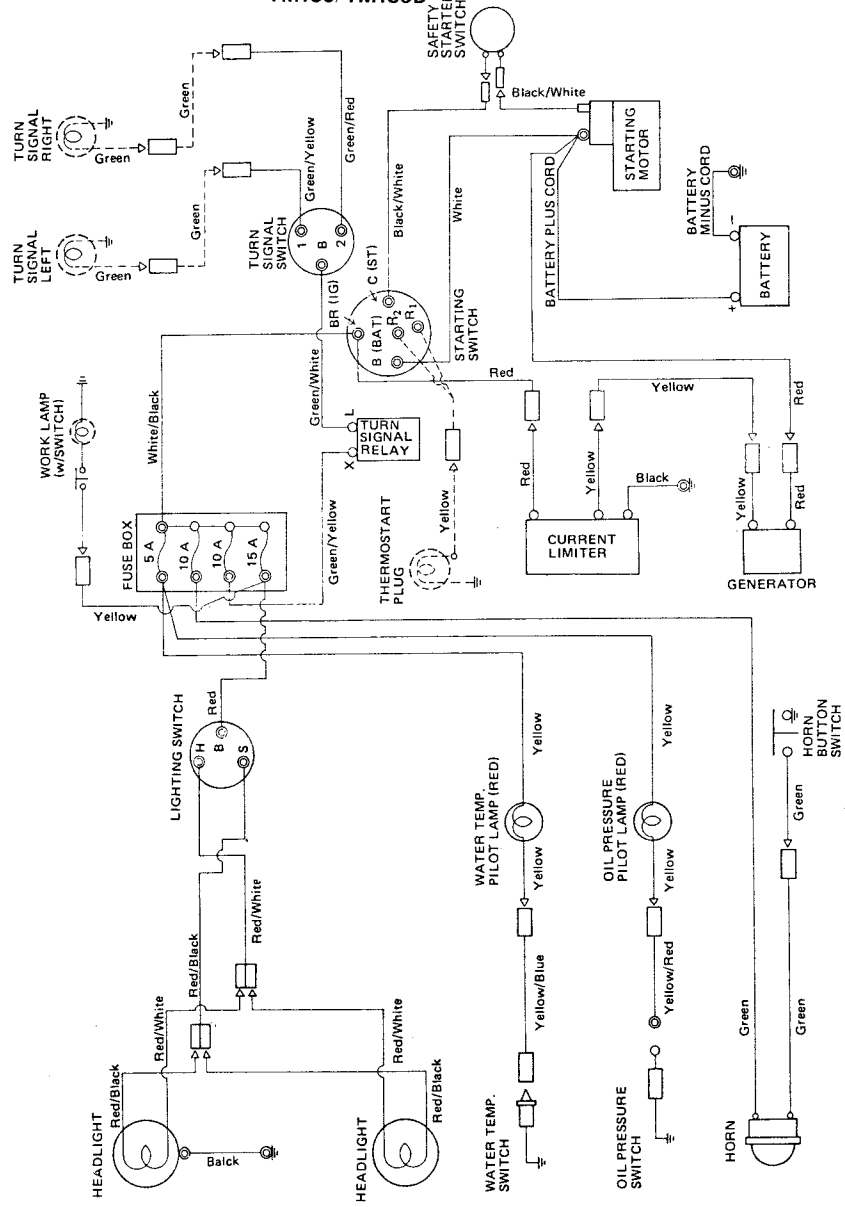
2T73A ENGINE SECTIONAL VIEW (3) (YM135/YM135D)



2TR13A ENGINE SECTIONAL VIEW (4) (YM155/YM155D)

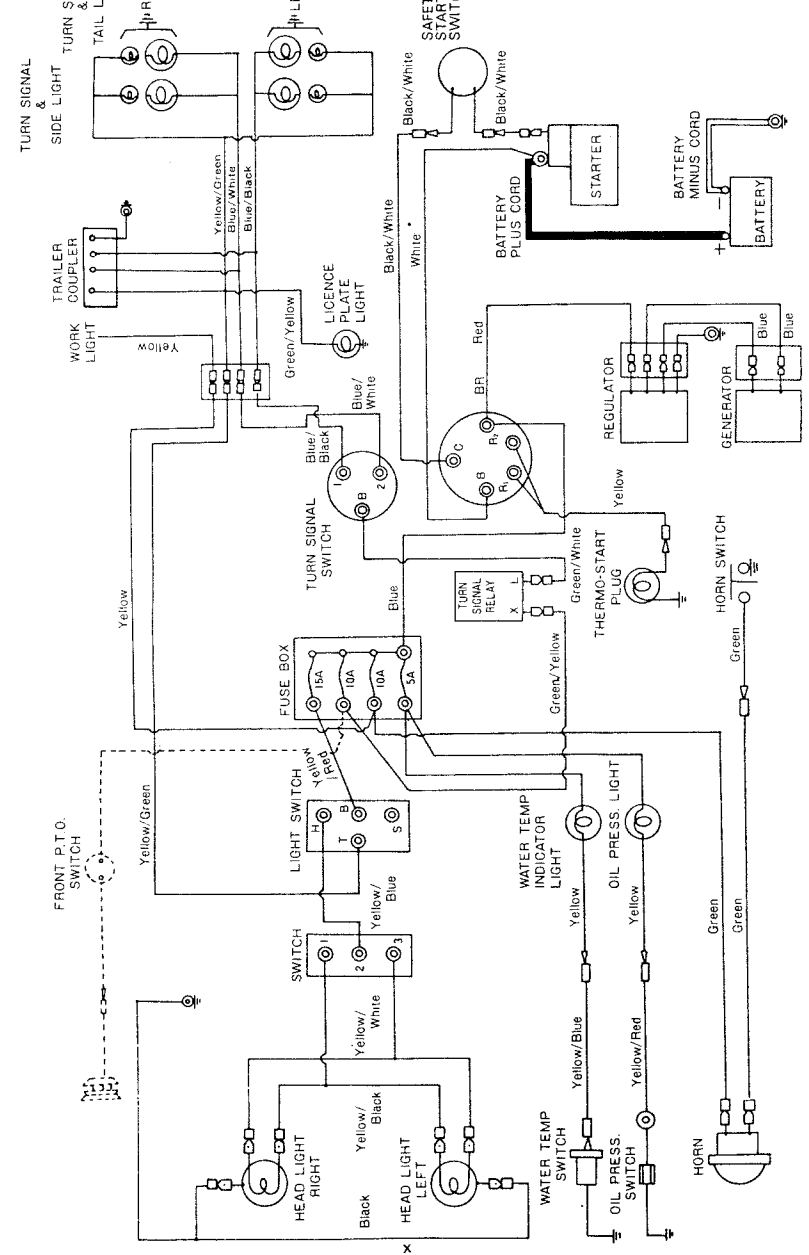


YM155/YM155D WIRING DIAGRAM
YM135/YM135D

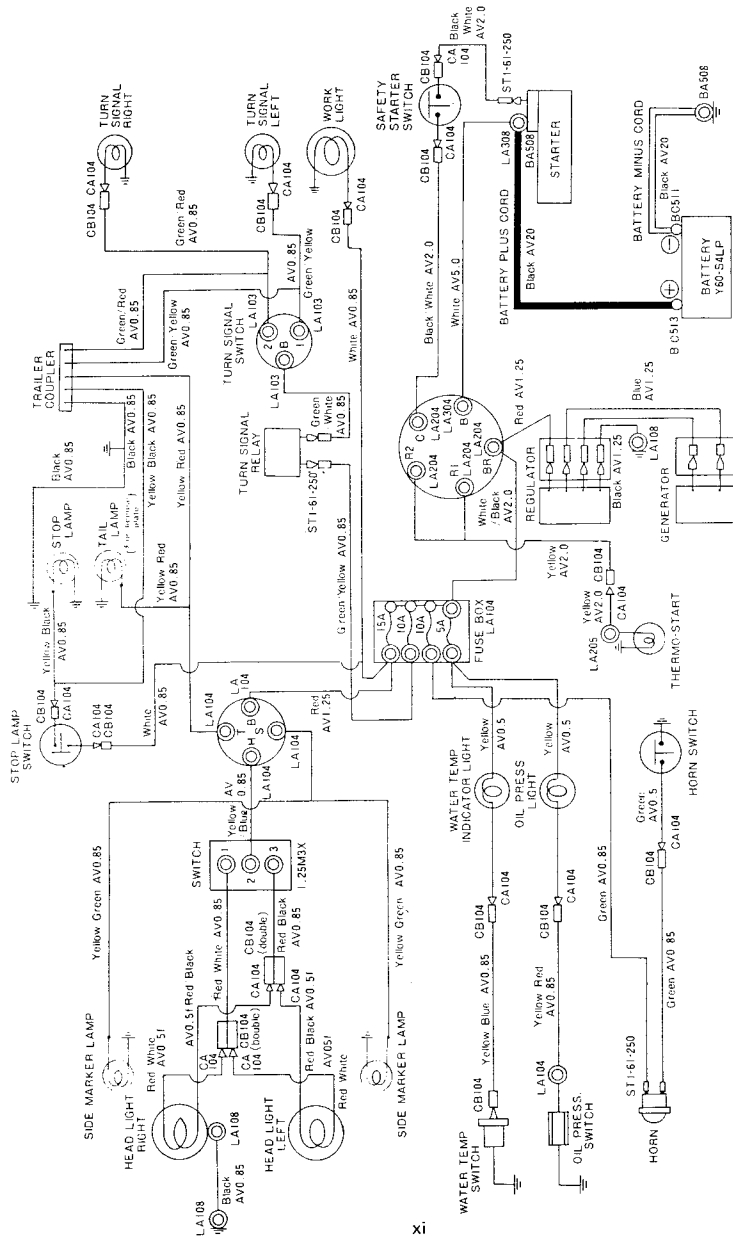


F

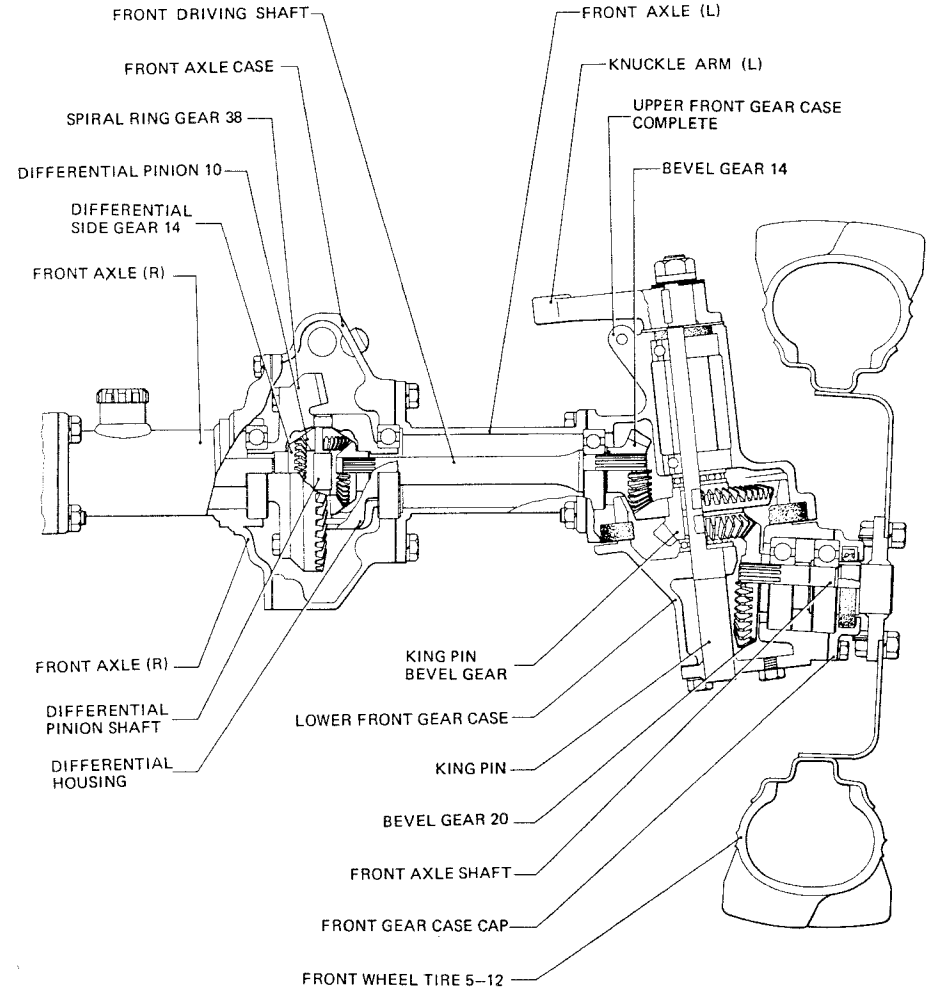
WIRING DIAGRAM FOR MODEL YM135-F/YM135D-F
YM155-F/YM155D-F



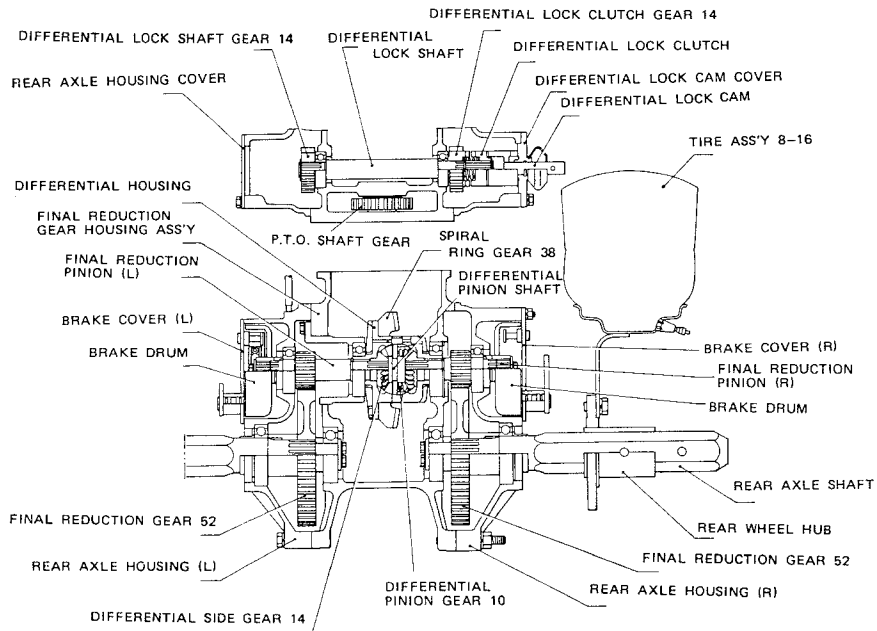
YM135-P/YM135D-P
 WIRING DIAGRAM FOR MODEL
 YM155-P/YM155D-P



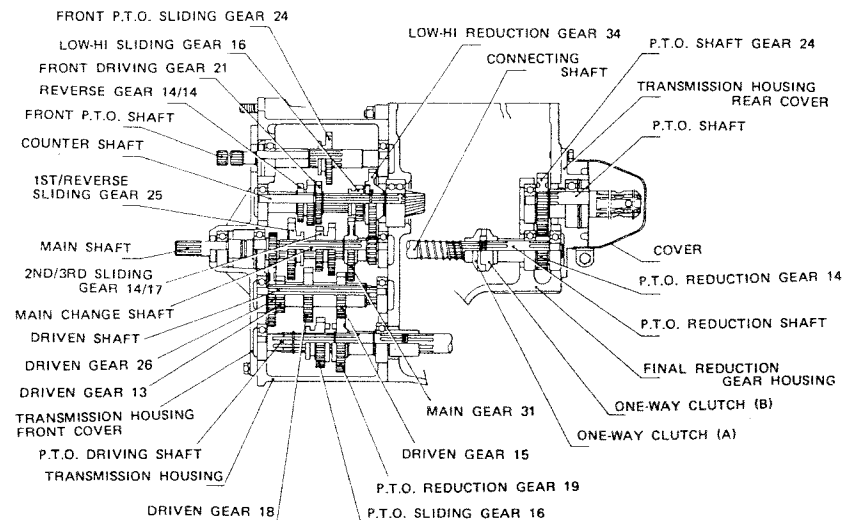
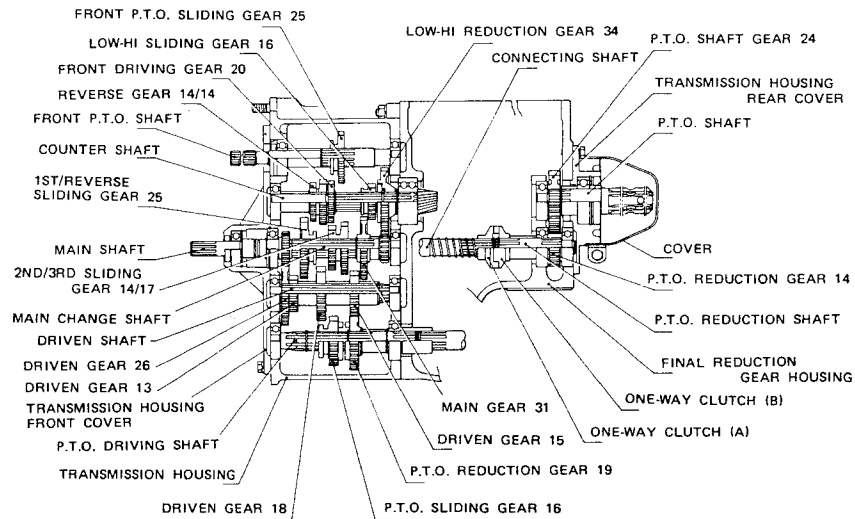
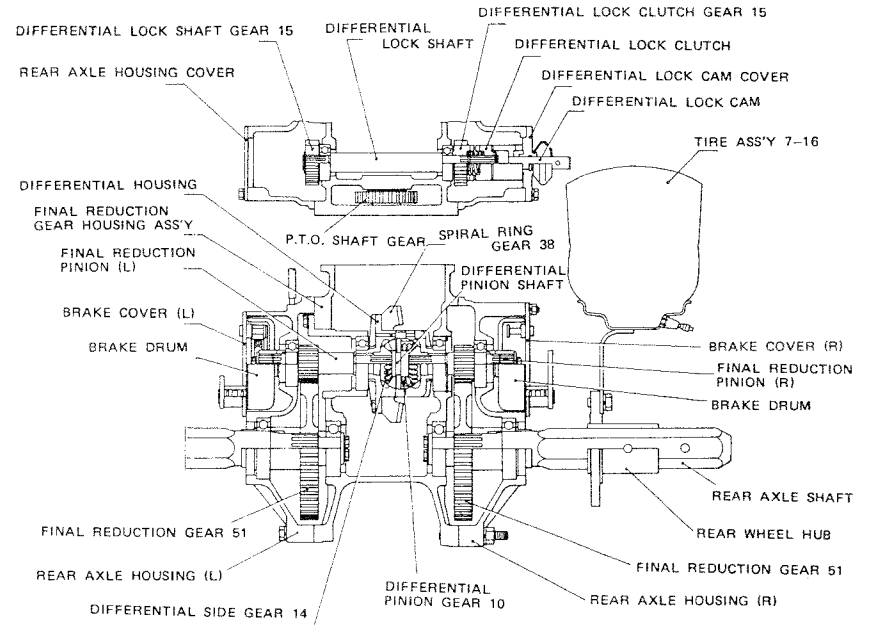
YM155D, YM135D TRAVELLING TRANSMISSION SECTIONAL VIEW (1)



YM155/YM155D TRAVELLING TRANSMISSION SECTIONAL VIEW (2)



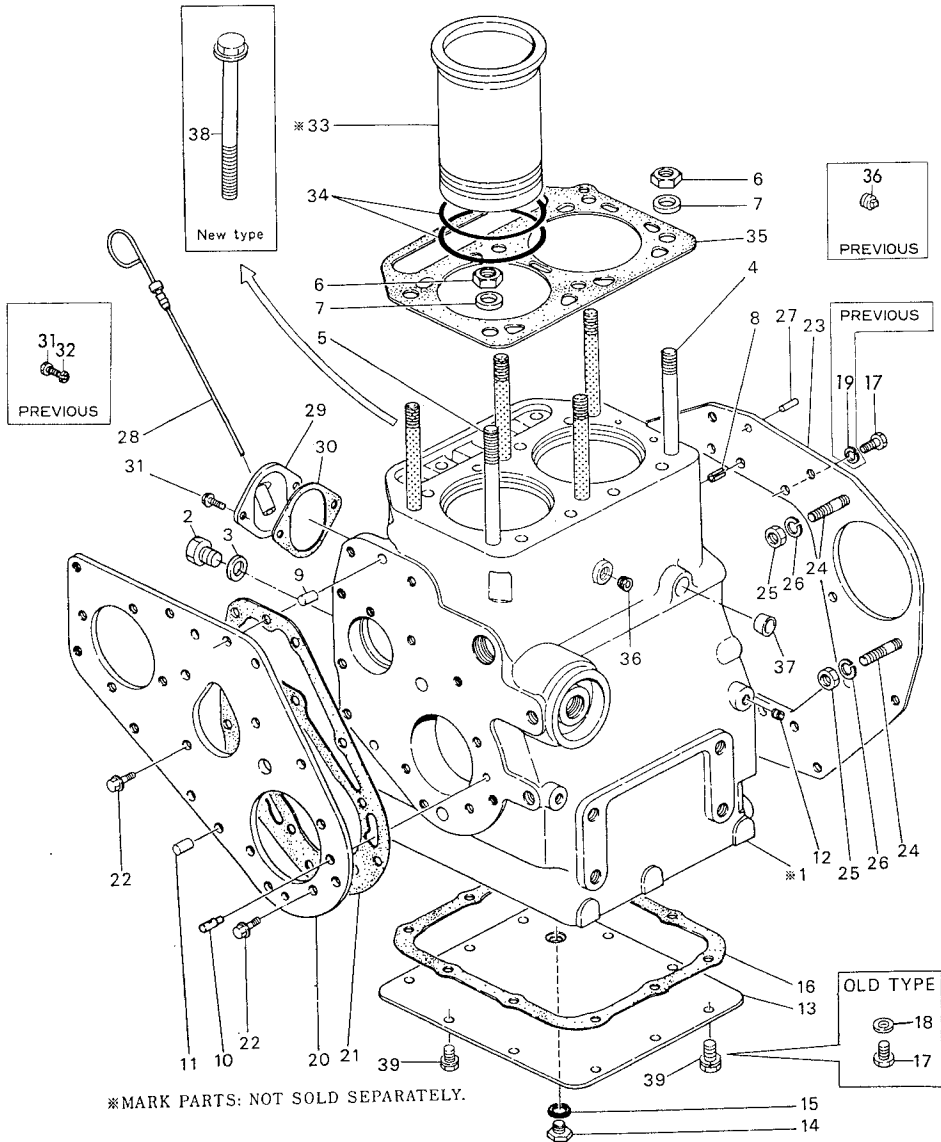
YM135/YM135D TRAVELLING TRANSMISSION SECTIONAL VIEW (2)



ENGINE PARTS

Model **2TR13A(YM155)**
2TR13A(YM155D)
2T73A (YM135)
2T73A (YM135D)

1. CYLINDER BLOCK



1. CYLINDER BLOCK

| Refer. No. | Description | Part No. | Qty./Unit | | Interchangeability | Design-change Mark | Remarks |
|---|--------------------------|--------------|-----------|-------|--------------------|--------------------|--|
| | | | 2T13A | 2T73A | | | |
| | BLOCK ASS'Y | 724060-01561 | 1 | 1 | | | Inc. 1-1 19, 36, 37, 9-6, 6-10 13, 15 17 |
| | BLOCK ASS'Y | 724064-01560 | 1 | 1 | N | | Inc. 1-1 19, 36 39, 9-6, 6-10 13, 15 17 |
| 1- 1 | CYLINDER BLOCK | * | 1 | 1 | | | Not Sold Separately. (124064-01010) |
| 1- 2 | PLUG P#1/4 | 23893-020002 | 1 | 1 | 10 | | |
| | PLUG P#1/4 | 121450-01960 | 1 | 1 | 10 | N | |
| 1- 3 | PACKING 12 | 23414-120000 | 1 | 1 | 10 | | |
| 1- 4 | STUD(A), cylinder head | 124060-01200 | 5 | 5 | | | |
| | STUD(A), cylinder head | 124060-01200 | 1 | 1 | | K | \$ |
| 1- 5 | STUD(B), cylinder head | 124160-01210 | 1 | 1 | | | |
| 1- 6 | NUT, cylinder head lock | 104300-01220 | 6 | 6 | 10 | | |
| | NUT, cylinder head lock | 104300-01220 | 2 | 2 | 10 | K | \$ |
| 1- 7 | WASHER, lock nut | 103338-01240 | 6 | 6 | 10 | | |
| | WASHER, lock nut | 103338-01240 | 2 | 2 | 10 | K | \$ |
| 1- 8 | SPRING PIN 8 x 14 | 22351-080014 | 2 | 2 | 10 | | |
| 1- 9 | PARALLEL PIN 8 x 22 | 124060-01660 | 1 | 1 | 10 | | |
| | PARALLEL PIN 8 x 22 | 22312-080120 | 1 | 1 | 10 | | |
| 1- 10 | CONNECTOR, lub. oil feed | 124060-01540 | 1 | 1 | | | |
| 1- 11 | PARALLEL PIN 8 x 22 | 22312-080220 | 1 | 1 | 10 | | |
| 1- 12 | PLUG P#1/8 | 124060-01050 | 6 | 6 | 10 | | |
| | COVER ASS'Y, cyl. lower | 724060-01542 | 1 | 1 | | | |
| 1- 13 | .COVER, cylinder lower | 124060-01732 | 1 | 1 | | | |
| 1- 14 | .PLUG | 124060-01640 | 1 | 1 | | | |
| 1- 15 | .O-RING 14-P | 24311-000140 | 1 | 1 | 10 | | |
| Remarks: | | | | | | | |
| \$-marked parts: From Nov. 1979 | | | | | | | |
| STUD(A) (P/#124060-01200) 4 pcs. to fit the cylinder head changed to HEX. BOLT (Refer. No. 1-38, P/#124060-01201). Simultaneously, NUT (P/#104300-01220) 4 pcs. and WASHER (P/#103338-01240) 4 pcs. is continued. | | | | | | | |
| Interchangeable if these changes are put into practice simultaneously. | | | | | | | |

1. CYLINDER BLOCK

| Refer. No. | Description | Part No. | Q'ty/Unit | | Inter-change-ability | Design-change Mark | Remarks |
|------------|--|--------------|-----------|-------|----------------------|--------------------|------------------|
| | | | 2TR13A | 2T73A | | | |
| 1- 16 | PACKING, cylinder lower cover | 124060-01741 | 1 | 1 | | | Misprint |
| | PACKING, cylinder lower cover | 124060-01742 | 1 | 1 | 10 | | |
| 1- 17 | BOLT M8 x 16, plated | 26116-080162 | 21 | 21 | 10 | | |
| | BOLT M8 x 16, plated | 26116-080162 | 9 | 9 | 10 | K | E |
| 1- 18 | WASHER 8 | 22137-080000 | 12 | 12 | 10 | Z | E |
| 1- 19 | SPRING WASHER 8 | 22217-080000 | 9 | 9 | 10 | Z | |
| 1- 20 | FLANGE, timing gear case | 124060-01550 | 1 | 1 | | | |
| | FLANGE, timing gear case | 124060-01551 | 1 | 1 | | F | |
| 1- 21 | PACKING, flange | 124060-01560 | 1 | 1 | 10 | | |
| 1- 22 | BOLT M8 x 14 | 26116-080142 | 7 | 7 | 10 | | |
| | BOLT M8 x 14 | 26106-080142 | 7 | 7 | 10 | N | |
| 1- 23 | FLANGE, mounting | 124060-01601 | 1 | 1 | | | |
| | FLANGE, mounting | 124060-01602 | 1 | 1 | | S | \$ |
| 1- 24 | STUD, starter motor | 124060-01650 | 2 | 2 | 10 | | |
| | STUD, starter motor | 121462-01650 | 2 | 2 | 10 | S | \$ |
| 1- 25 | NUT M10, plated | 26736-100002 | 2 | 2 | 10 | | |
| | NUT M10, plated | 26716-100002 | 2 | 2 | 10 | S | \$ |
| 1- 26 | SPRING WASHER 10 | 22217-100000 | 2 | 2 | 10 | | |
| 1- 27 | SPRING PIN 6AW x 16 | 22351-060016 | 2 | 2 | 10 | | |
| 1- 28 | DIPSTICK | 124060-34800 | 1 | | | | |
| | DIPSTICK | 124660-34800 | 1 | 1 | | N | 2TR13A E/#-23860 |
| 1- 29 | BRACKET, dipstick | 124060-34830 | 1 | 1 | | | |

Remarks

\$: Interchangeable with Old Type FLANGE (124060-01601) by simultaneous replacement of New Type FLANGE (124060-01602) together with STUD9121462-01650) 2 pcs. and NUT M10 (26716-10002) 2 pcs. Applicable engine serial number: E/#24105 -, 2TR13A (From Jan. 1980).

E: Changed to BOLT (Ref. No. 1-39) (121250-01710) 12 pcs. but interchangeable.

1. CYLINDER BLOCK

| Refer. No. | Description | Part No. | Q'ty/Unit | | Inter-change-ability | Design-change Mark | Remarks |
|------------|----------------------------------|--------------|-----------|-------|----------------------|--------------------|--|
| | | | 2TR13A | 2T73A | | | |
| 1- 30 | PACKING, bracket | 124060-34840 | 1 | 1 | | | |
| | PACKING, bracket | 124060-34841 | 1 | 1 | 10 | N | |
| | PACKING, bracket | 124060-34842 | 1 | 1 | 10 | N | |
| 1- 31 | BOLT M6 x 12 | 26116-060122 | 2 | 2 | 10 | | |
| | BOLT M6 x 10 | 26106-060102 | 2 | 2 | 10 | N | |
| 1- 32 | SPRING WASHER 6 | 22217-060000 | 2 | 2 | 10 | Z | |
| | CYLINDER LINER, w/rubber packing | 724060-01900 | 2 | | | | |
| | CYLINDER LINER, w/rubber packing | 724660-01900 | 2 | | | | |
| 1- 33 | .LINER, cylinder | * | 2 | | | | Not Sold Separately. |
| | .LINER, cylinder | * | 2 | | | | Not Sold Separately. |
| 1- 34 | .PACKING, cylinder liner | 124060-01300 | 4 | 4 | 10 | | |
| 1- 35 | GASKET, cylinder head | 124060-01330 | 1 | | 5 | | |
| | GASKET, cylinder head | 124660-01330 | 1 | | 5 | | |
| 1- 36 | PLUG | 121750-01920 | 1 | 1 | 10 | W | |
| | PLUG NPTF1 | 171051-01920 | 1 | 1 | 10 | N | |
| 1- 37 | PLUG 30 | 27243-300000 | 1 | 1 | 10 | W | |
| 1- 38 | BOLT, cyl. head | 124060-01201 | 4 | 4 | 10 | W | \$ |
| 1- 39 | BOLT M8 x 14, lower cover | 121250-01710 | 12 | 12 | 10 | W | E 2TR13A E/#22083 2T73A E/#81243 |
| | | 26106-080142 | 12 | 12 | 10 | N | |

Remarks:

\$-marked parts: From Nov. 1979

STUD(A) (Refer. No. 1-4 P/#124060-01200) 4 pcs. to fit the cylinder head changed to HEX. BOLT (P/#124060-01201). Simultaneously, NUT (Refer. No. 1-6, P/#104300-01220) 4 pcs, and WASHER (Refer. No. 1-7, P/#103338-01240) 4 pcs. is continued.

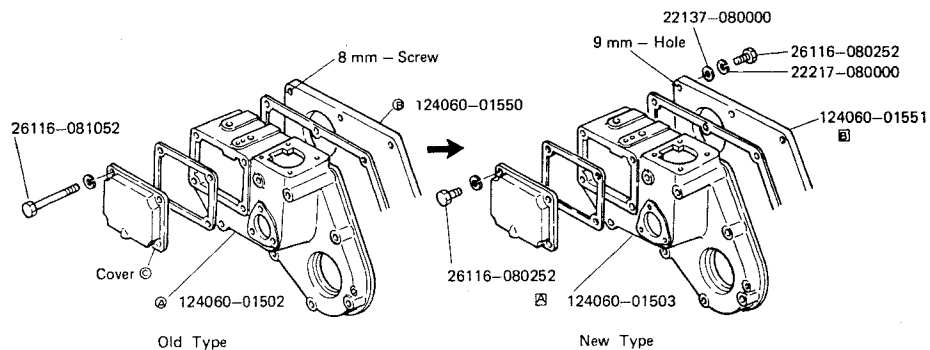
Interchangeable if these changes are put into practice simultaneously.

E: Changed from BOLT (Ref. No. 1-17) (26116-080162) 12 pcs. and WASHER (Ref. No. 1-18) (22137-080000) but interchangeable.

Re. Parts Supply of Timing Gear Case & Its Flange

These parts are changed as shown below from May, 1976:

M E M O



| | Old Type | New Type |
|--------------------------|----------------|----------------|
| TIMING GEAR CASE ASS'Y | 724060-01502 | 724060-01613 |
| TIMING GEAR CASE | ⊗ 124060-01502 | ⊠ 124060-01503 |
| FLANGE, timing gear case | ⊗ 124060-01550 | ⊠ 124060-01551 |

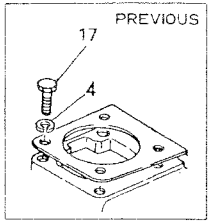
Although we shall supply you with these parts of both the Old Type and the New Type, it is possible to achieve interchangeability between these two types by the following parts replacement and additional processing:

1. In the case where the flange is of the Old Type and the case ass'y is of the New Type....
Adopt the same fitting method as for the New Type.
 - (a) Part required:

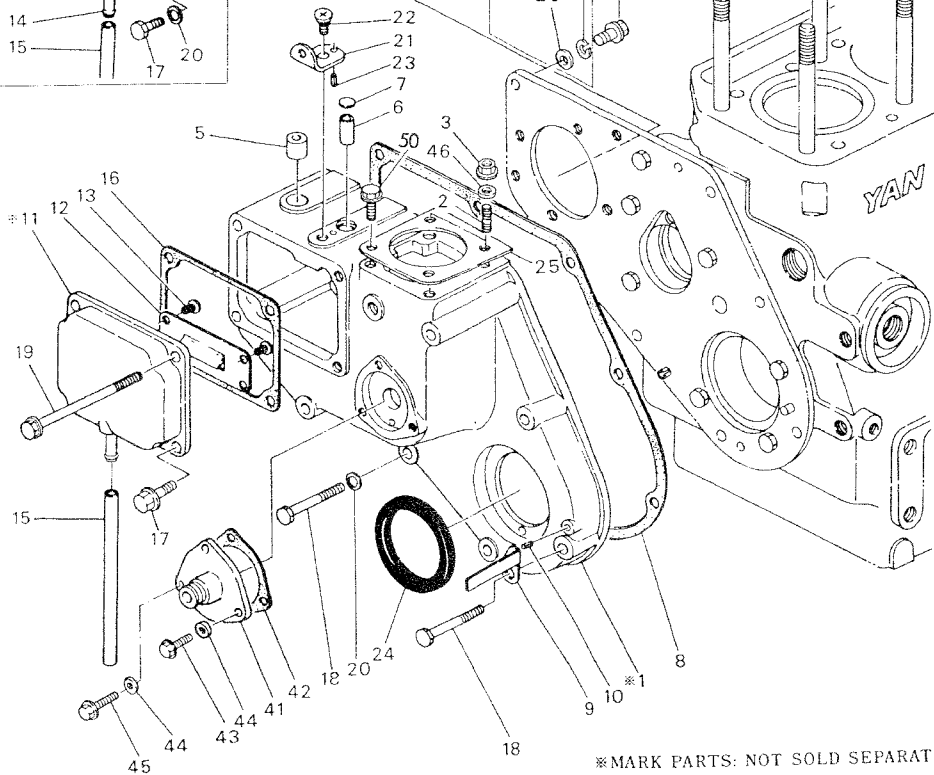
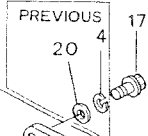
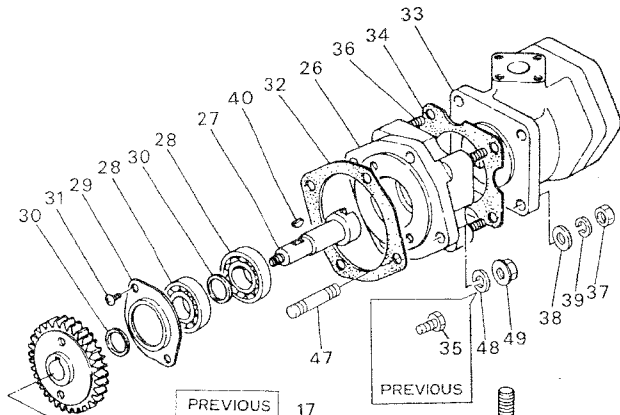
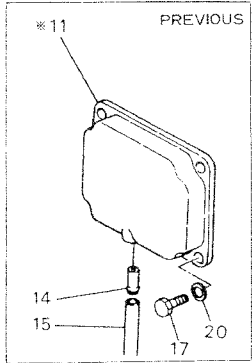
| | | |
|-----------------|----------------|--------|
| BOLT M8 x 25 | (26116-080252) | 2 pcs. |
| WASHER 8 | (22137-080000) | 1 pc. |
| SPRING WASHER 8 | (22217-080000) | 1 pc. |
 - (b) Additional processing & fitting method: Process the 8 mm screw part of the (Old Type) flange to the 9 mm screw hole, and tighten the flange together with the case cover ⊙ to the case by means of M8 x 25 bolts, WASHER 8 and SPRING WASHER 8.

2. In the case where the flange is of the New Type and the case ass'y is of the Old Type ...
Adopt the same fitting method as the Old Type.
 - (a) Parts required:

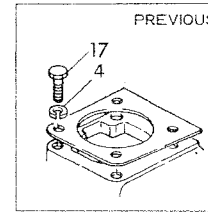
| | | |
|-----------------|----------------|-------|
| BOLT M8 x 115 | (26116-081152) | 1 pc. |
| NUT M8 | (26716-080002) | 1 pc. |
| SPRING WASHER 8 | (22217-080000) | 1 pc. |
| WASHER 8 | (22137-080000) | 1 pc. |
 - (b) Fitting method: Tighten the flange together with the cover ⊙ to the case by means of M8 x 115 bolt and M8 nut.



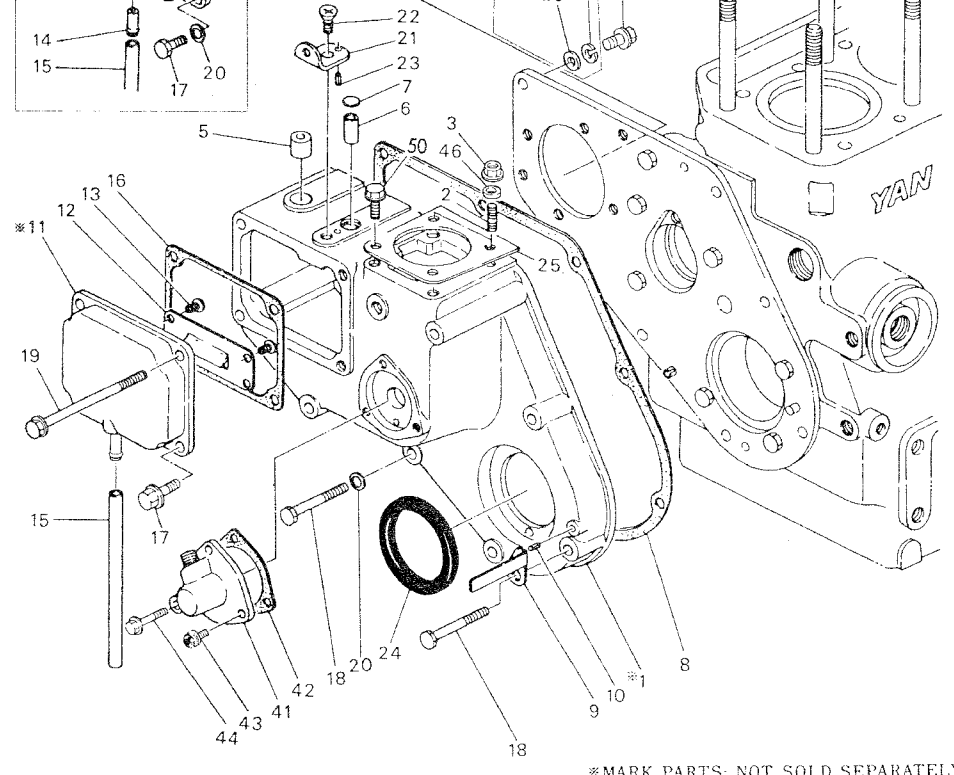
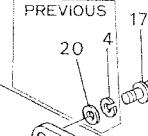
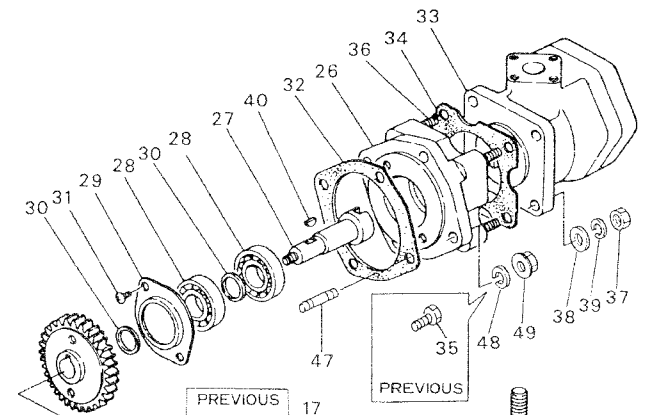
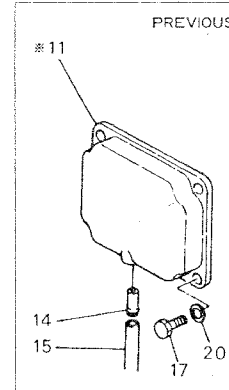
2. GEAR CASE (2T73A·YM135/YM135D)



*MARK PARTS: NOT SOLD SEPARATELY.



2. GEAR CASE (2TR13A·YM155/YM155D)



*MARK PARTS: NOT SOLD SEPARATELY.

2. GEAR CASE

| Refer. No. | Description | Part No. | Qty/Unit | | Interchangeability | Design-change Mark | Remarks |
|------------|------------------------------------|--------------|----------|-------|--------------------|--------------------|--|
| | | | 2TR13A | 2T73A | | | |
| | CASE ASS'Y, timing gear | 724060-01502 | 1 | 1 | | | |
| | CASE ASS'Y, timing gear | 724060-01613 | 1 | 1 | F | | |
| 2- 1 | .GEAR CASE | * | 1 | 1 | | | Not Sold Separately. (124060-01503) |
| 2- 2 | .STUD M8 x 22 | 26226-080222 | 2 | 2 | 10 | | |
| 2- 3 | .NUT M8 | 26716-080002 | 2 | 2 | 10 | | |
| | .NUT M8 | 26366-080002 | 2 | 2 | 10 | N | |
| 2- 4 | .SPRING WASHER 8 | 22217-080000 | 3 | 3 | 10 | Z | |
| 2- 5 | .BUSH, regulator handle shaft | 124060-01900 | 1 | 1 | 10 | | |
| 2- 6 | .BUSH, governor lever shaft | 124060-01910 | 1 | 1 | 10 | | |
| 2- 7 | .PLUG 15 | 27233-150000 | 1 | 1 | 10 | | |
| 2- 8 | PACKING, gear case | 124060-01511 | 1 | 1 | | | |
| | PACKING, gear case | 124060-01512 | 1 | 1 | 10 | N | |
| | PACKING, gear case | 104060-01511 | 1 | 1 | 10 | N | |
| 2- 9 | POINTER, V-pulley | 124060-07300 | 1 | 1 | | | |
| 2- 10 | SPRING PIN 4AW x 8 | 22351-040008 | 1 | 1 | 10 | | |
| | COVER ASS'Y, pump timing adjust | 724060-01520 | 1 | 1 | | | |
| 2- 11 | .COVER | * | 1 | 1 | | | Not Sold Separately. (124060-01520) |
| 2- 12 | .PLATE, breather baffle | 124060-03080 | 1 | 1 | | | |
| 2- 13 | .SCREW M6 x 10 | 26557-060102 | 4 | 4 | 10 | | |
| 2- 14 | .JOINT, pipe | 124060-03200 | 1 | 1 | | Z | |
| 2- 15 | .PIPE 9d-150L | 23065-090150 | 1 | 1 | | | |
| | .PIPE 14d-150L | 23065-140150 | 1 | 1 | | S | |
| 2- 16 | PACKING, cover | 124060-01530 | 1 | 1 | | | |
| | PACKING, cover | 124060-01531 | 1 | 1 | 10 | N | |
| | PACKING, cover | 124060-01532 | 1 | 1 | 10 | N | |

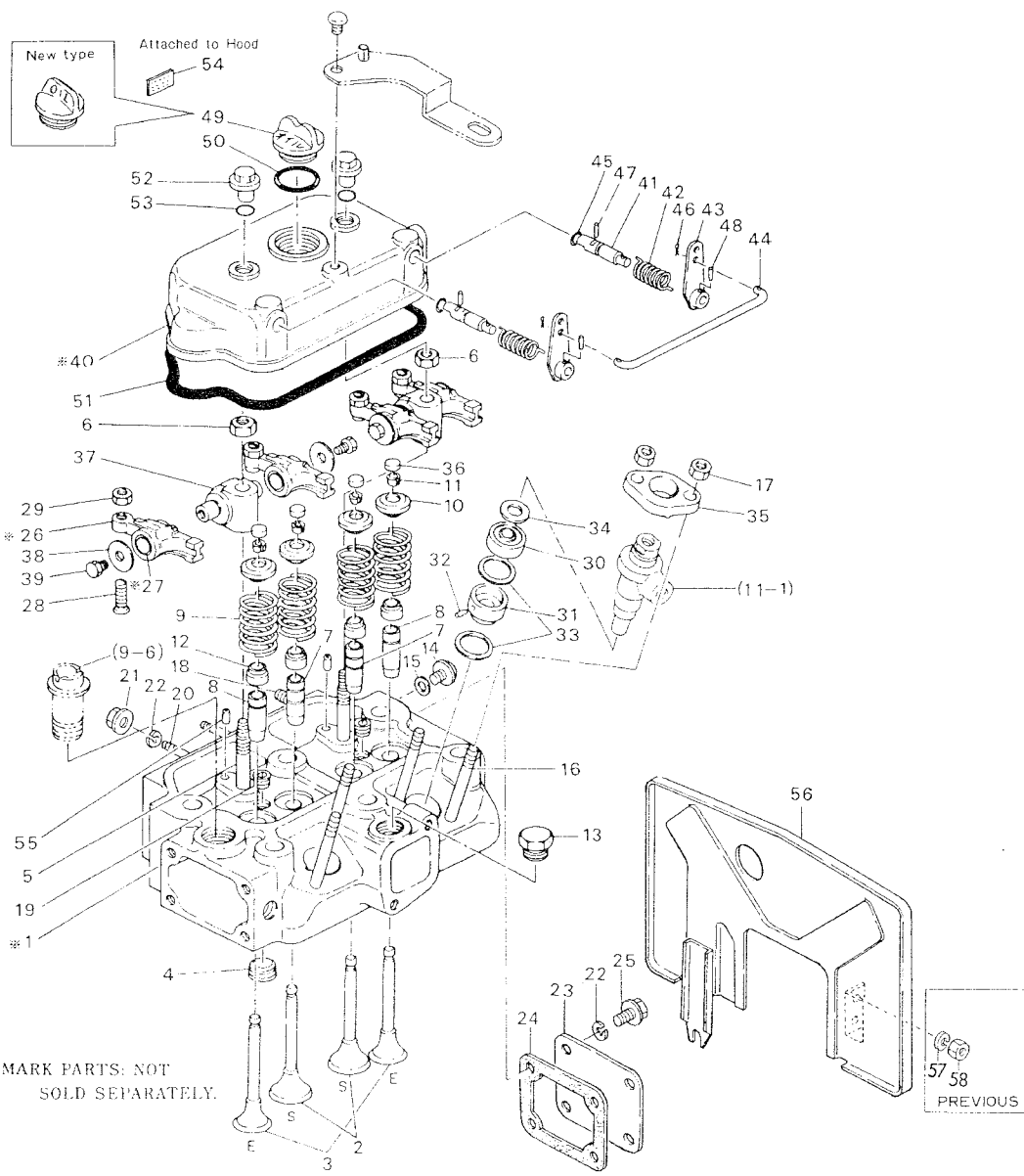
2. GEAR CASE

| Refer. No. | Description | Part No. | Qty/Unit | | Interchangeability | Design-change Mark | Remarks |
|------------|-------------------------------|--------------|----------|-------|--------------------|--------------------|---------|
| | | | 2TR13A | 2T73A | | | |
| 2- 17 | BOLT M8 x 25, plated | 26116-080252 | 5 | 5 | 10 | | |
| | BOLT M8 x 22 | 26106-080222 | 3 | 3 | 10 | N | |
| 2- 18 | BOLT M8 x 55, plated | 26116-080552 | 4 | 4 | 10 | | |
| | BOLT M8 x 55 | 26106-080552 | 4 | 4 | 10 | N | |
| 2- 19 | BOLT M8 x 105 | 26116-081052 | 5 | 5 | 10 | | |
| | BOLT M8 x 105 | 26106-081052 | 4 | 4 | 10 | N | |
| 2- 20 | WASHER 8 | 22137-080000 | 10 | 10 | 10 | Z | |
| 2- 21 | BRACKET, bolt | 124060-01570 | 1 | 1 | | | |
| 2- 22 | SCREW M8 x 18, plated | 26557-080182 | 1 | 1 | 10 | | |
| | SCREW M8 x 12 | 26557-080122 | 1 | 1 | 10 | N | |
| 2- 23 | SPRING PIN 4BV x 8 | 22354-040008 | 1 | 1 | 10 | | |
| | SPRING PIN 4AW x 8 | 22351-040008 | 1 | 1 | 10 | N | |
| 2- 24 | OIL SEAL | 124450-01800 | 1 | 1 | 10 | | |
| 2- 25 | SHIM, f.i. pump | 124550-51950 | 1 | 1 | 5 | | |
| | SHIM, f.i. pump | 124550-51951 | 1 | 1 | 10 | N | |
| | DRIVING ASS'Y, hydraulic pump | 124060-26101 | 1 | 1 | | W | |
| 2- 26 | BRACKET, hydraulic pump | 124060-26051 | 1 | 1 | | | |
| | BRACKET, hydraulic pump | 124060-26052 | 1 | 1 | | N | |
| 2- 27 | SHAFT, pump driving | 124060-26401 | 1 | 1 | | | |
| 2- 28 | BALL BEARING 6203ZZ | 24107-062034 | 2 | 2 | | | |
| 2- 29 | RETAINER, bearing | 124060-26410 | 1 | 1 | | | |
| 2- 30 | SPACER, bearing | 124060-26420 | 2 | 2 | 10 | | |
| 2- 31 | SCREW M5 x 8 | 26587-080082 | 2 | 2 | 10 | | |
| 2- 32 | PACKING, bracket | 124060-26061 | 1 | 1 | 10 | | |
| | PACKING, bracket | 124060-26062 | 1 | 1 | 10 | N | |
| | PACKING, bracket | 124060-26063 | 1 | 1 | 10 | N | |
| 2- 33 | PUMP ASS'Y, hydraulic oil | 124064-26020 | 1 | 1 | | | |

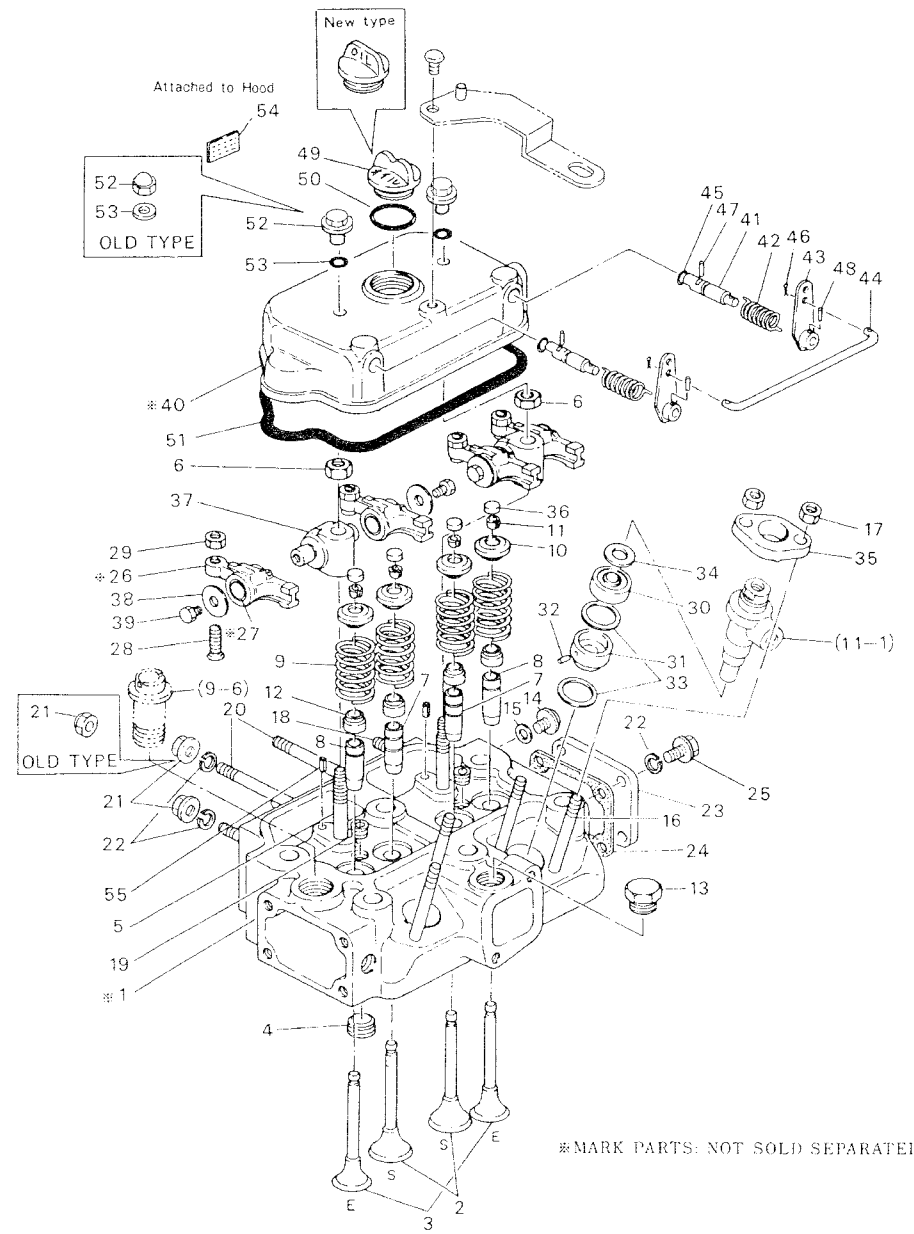
2. GEAR CASE

| Refer. No. | Description | Part No. | Qty/Unit | | | Inter-change-ability | Design-change Mark | Remarks |
|------------|--|--------------|----------|-------|------------|----------------------|--------------------|---------|
| | | | 2FR13A | 2T73A | Sales Unit | | | |
| 2- 34 | PACKING, hydraulic oil pump | 124060-01881 | 1 | 1 | 10 | | | |
| | PACKING, hydraulic | 124060-01882 | 1 | 1 | 10 | N | | |
| | PACKING, hydraulic | 124060-01883 | 1 | 1 | 10 | N | | |
| 2- 35 | BOLT M8 x 20 | 26116-080202 | 4 | 4 | 10 | Z | | |
| 2- 36 | STUD M8 x 22 | 26216-080222 | 4 | 4 | 10 | | | |
| 2- 37 | NUT M8 | 26716-080002 | 4 | 4 | 10 | | | |
| 2- 38 | WASHER 8 | 22137-080000 | 4 | 4 | 10 | | | |
| 2- 39 | SPRING WASHER 8 | 22217-080000 | 4 | 4 | 10 | | | |
| 2- 40 | KEY 4 x 13 | 22522-040130 | 1 | 1 | 10 | | | |
| 2- 41 | GEAR UNIT, tachometer or hour meter | 124250-91400 | 1 | | | | | |
| | CONNECTOR, tachometer | 124756-01550 | 1 | | | | | |
| 2- 42 | PACKING, gear unit | 124250-91411 | 1 | 1 | | | | |
| | PACKING, gear unit | 124250-91412 | 1 | 1 | 10 | N | | |
| 2- 43 | BOLT M6 x 12 | 26116-060122 | 2 | | | Z | | |
| | BOLT M6 x 16 | 26116-060162 | 3 | 10 | | | | |
| | BOLT M6 x 16 | 26116-060162 | 2 | 2 | 10 | K&N | [4] | |
| | BOLT M6 x 14 | 26106-060142 | 2 | 2 | 10 | N | | |
| 2- 44 | BOLT M6 x 30 | 26116-060306 | 1 | | 10 | | | |
| | BOLT M6 x 32 | 26116-060326 | 1 | | 10 | N | | |
| | BOLT M6 x 30 | 26106-060302 | 1 | | 10 | N | | |
| | PACKING 6 | 23414-060000 | 3 | 3 | 10 | | | |
| | WASHER 6 | 22117-060000 | 3 | 3 | 10 | | | |
| 2- 45 | BOLT M6 x 16 | 26116-060166 | 1 | 10 | | W | [4] | |
| | BOLT M6 x 14 | 26106-060142 | 1 | 10 | | N | | |
| 2- 46 | SEAL WASHER 8 | 43400-500410 | 2 | 2 | 10 | W | | |
| 2- 47 | STUD | 124060-01580 | 4 | 4 | 10 | W | | |
| 2- 48 | SPRING WASHER 8 | 22217-080000 | 4 | 4 | 10 | W | | |
| 2- 49 | NUT M8 | 26716-080002 | 4 | 4 | 10 | W | | |
| | NUT M8 | 26366-080002 | 4 | 10 | | N | | |
| 2- 50 | BOLT M8 x 25 | 26106-080252 | 2 | 2 | 10 | W | | |

3. CYLINDER HEAD (2T73A·YM135/YM135D)



3. CYLINDER HEAD (2TR13A·YM155/YM155D)



3. CYLINDER HEAD

| Refer. No. | Description | Part No. | Q'ty/Unit | | Inter-change-ability | Design-change Mark | Remarks |
|------------|--------------------------|--------------|-----------|-------|----------------------|--------------------|-------------------------------------|
| | | | 2TR13A | 2T73A | | | |
| | HEAD ASS'Y, cylinder | 724660-11700 | | 1 | | | Inc. 3-1 22, 9-6, 3-55 |
| | HEAD ASS'T, cylinder | 724060-11701 | | 1 | | | Inc. 3-1 22, 9-6, 3-55 |
| 3- 1 | HEAD, cylinder | * | | 1 | | | Not Sold Separately. (124660-11010) |
| | HEAD, cylinder | * | | 1 | | | Not Sold Separately. (124060-11010) |
| 3- 2 | VALVE, suction | 104200-11100 | 2 | 2 | 10 | | |
| 3- 3 | VALVE, exhaust | 104200-11110 | 2 | 2 | 10 | | |
| 3- 4 | PLUG PTL/2 | 124060-11510 | 1 | 1 | 10 | | |
| | PLUG PTL/2 | 23873-040000 | 1 | 1 | 1 | N | |
| 3- 5 | STUD, | 104200-11350 | 2 | 2 | 10 | | |
| | valve rocket arm support | | | | | | |
| | STUD | 106100-11350 | 2 | 2 | 10 | N | |
| 3- 6 | NUT M10 | 26736-100002 | 2 | 2 | 10 | | |
| | NUT M10 | 26602-100002 | 2 | 2 | 10 | N | |
| 3- 7 | VALVE GUIDE, suction | 124060-11160 | 2 | 2 | 10 | | |
| 3- 8 | VALVE GUIDE, exhaust | 124060-11170 | 2 | 2 | 10 | | |
| | VALVE GUIDE, exhaust | 128272-11170 | 2 | 2 | 10 | S | 2TR13A-E/# 30559 |
| 3- 9 | SPRING, | 124060-11120 | 4 | 4 | 10 | | |
| | suction & exhaust valve | | | | | | |
| 3- 10 | RETAINER, valve spring | 104200-11180 | 4 | 4 | 10 | | |
| 3- 11 | COTTER, valve | 101158-11190 | 4 | 4 | 10 | | |
| | COTTER, valve | 27310-070000 | 4 | 4 | 10 | N | |
| 3- 12 | SEAL, valve stem | 124160-11340 | 4 | 4 | 10 | | |
| 3- 13 | PLUG | 124450-11320 | (1) | 1 | 10 | | For 2TR13A Up to May, 1978. |
| 3- 14 | SCREW M8 x 10 | 26587-080102 | 1 | 1 | 10 | | |
| | BOLT M8 x 10 | 26106-080102 | 1 | 1 | 10 | N | |
| 3- 15 | PACKING 8 | 23414-080000 | 1 | 1 | 10 | | |
| 3- 16 | STUD M8 x 70 | 26216-080002 | 4 | 4 | 10 | | |
| 3- 17 | NUT M8 | 26716-080002 | 4 | 4 | 10 | | |
| 3- 18 | STUD M8 x 16 | 26216-080162 | 2 | 2 | 10 | | |

3. CYLINDER HEAD

| Refer. No. | Description | Part No. | Q'ty/Unit | | Inter-change-ability | Design-change Mark | Remarks |
|------------|-----------------------------------|----------------|-----------|-------|----------------------|--------------------|-------------------------------------|
| | | | 2TR13A | 2T73A | | | |
| 3- 19 | PLUG PTL/4 | 23873-020000 | 2 | 2 | 10 | | |
| 3- 20 | STUD M8 x 22 | 26216-080802 | 4 | 4 | 10 | | |
| | STUD M8 x 80 | 26216-080222 | 4 | 4 | 10 | Z | [5] |
| | STUD M8 x 22 | 26212-080222 | 4 | 4 | 10 | W | [5] |
| 3- 21 | NUT M8 | 26716-080002 | 4 | 4 | 10 | | |
| | NUT M8 | 26366-080002 | 4 | 4 | 10 | N | |
| | CAP NUT M8 | 26657-080002 | 4 | 4 | 10 | | |
| | NUT M8 | 26716-080002 | 4 | 4 | 10 | N | [5] |
| 3- 22 | SPRING WASHER 8 | 22212-080000 | 4 | 4 | 10 | | |
| | SPRING WASHER 8 | 22217-080000 | 8 | 8 | 10 | N&K | |
| | SPRING WASHER 8 | 22217-080000 | 4 | 4 | 10 | K | |
| 3- 23 | COVER, flywheel side | 124450-11671 | 1 | 1 | 10 | | |
| | COVER, flywheel side | 124450-11671 | 1 | 1 | 10 | W | [3] |
| 3- 24 | PACKING | 124450-11681 | 1 | 1 | 10 | | |
| 3- 25 | BOLT M8 x 12 | 26116-080122 | 4 | 4 | 10 | Z | |
| | BOLT M8 x 14 | 26116-080142 | 4 | 4 | 10 | W | |
| | BOLT M8 x 12 | 26106-080122 | 4 | 4 | 10 | N | |
| (9- 6) | FOINT, cooling water pipe | (124160-49480) | 1 | 1 | * | | |
| | ARM ASS'Y, valve rocker | 724060-11650 | 4 | 4 | 10 | | |
| 3- 26 | .ARM, rocker | * | 4 | 4 | 10 | | Not Sold Separately. (124060-11200) |
| 3- 27 | .BUSH, rocker arm | * | 4 | 4 | 10 | | Not Sold Separately. (124060-11220) |
| 3- 28 | .SCREW, valve clearance | 101158-11230 | 4 | 4 | 10 | | |
| 3- 29 | .LOK NUT M8 | 26756-080002 | 4 | 4 | 10 | | |
| 3- 30 | CHAMBER (REAR), pre-combustion | 124660-11410 | 2 | 2 | 10 | | |
| | CHAMBER (REAR), pre-combustion | 104200-11410 | 2 | 2 | 10 | | |

3. CYLINDER HEAD

| Refer. No. | Description | Part No. | Qty/Unit | | Inter-changeability | Design-change Mark | Remarks |
|------------|------------------------------------|--------------|----------|-------|---------------------|--------------------|-------------------------------------|
| | | | 2TR13A | 2T73A | | | |
| 3- 31 | CHAMBER (FRONT) w/PIN | 104200-11420 | 2 | 2 | | | |
| | CHAMBER (FRONT) w/PIN | 106200-11400 | 2 | 2 | N | | |
| 3- 32 | .PIN, front pre-combustion chamber | 103338-11430 | 2 | 2 | 10 | Z | Up to Aug. 1979. |
| 3- 33 | PACKING | 101204-11450 | 4 | 4 | 10 | | |
| | PACKING | 101204-11452 | 4 | 4 | 10 | N | |
| 3- 34 | INSULATOR | 103854-11490 | 2 | 2 | 10 | | |
| 3- 35 | FLANGE, fuel injection valve | 103854-11900 | 2 | 2 | | | |
| 3- 36 | RETAINER, valve | 104211-11370 | 2 | 2 | 10 | | |
| 3- 37 | SUPPORT, valve rocker arm | 124060-11260 | 2 | 2 | | | |
| 3- 38 | WASHER, valve rocker arm | 124060-11290 | 4 | 4 | 10 | | |
| 3- 39 | BOLT M6 x 8 | 26116-060082 | 4 | 4 | 10 | | |
| | BONNET ASS'Y | 724060-11520 | 1 | | | | |
| | BONNET ASS'Y | 424060-11521 | 1 | 1 | | F | \$ Inc. 3-40 50 |
| 3- 40 | BONNET | * | 1 | | | | Not Sold Separately. (124060-11300) |
| | BONNET | * | 1 | 1 | | S | Not Sold Separately. (124060-11301) |
| 3- 41 | SHAFT, decompression | 104200-03600 | 2 | 2 | | | |
| 3- 42 | SPRING, decompression | 104200-03641 | 2 | 2 | 10 | | |
| 3- 43 | LEVER, decompression | 124060-03750 | 2 | 2 | | | |
| 3- 44 | CONNECTOR, decompression lever | 124060-03760 | 1 | 1 | | | |
| 3- 45 | O-RING 7-P | 24311-000070 | 2 | 2 | 10 | | |
| 3- 46 | COTTER PIN 2 x 10 | 22411-200100 | 2 | 2 | 10 | | |
| | COTTER PIN 2 x 20 | 22417-200200 | 2 | 2 | 10 | N | |
| 3- 47 | PARALLEL PIN 3 x 18 | 22312-030180 | 2 | 2 | 10 | | |
| 3- 48 | TAPER PIN 3 x 16 | 22322-03-160 | 2 | 2 | 10 | | |

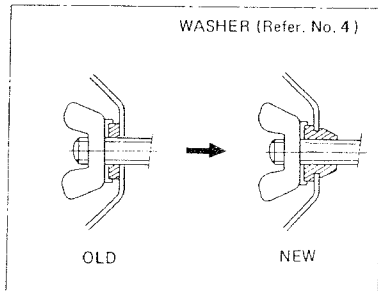
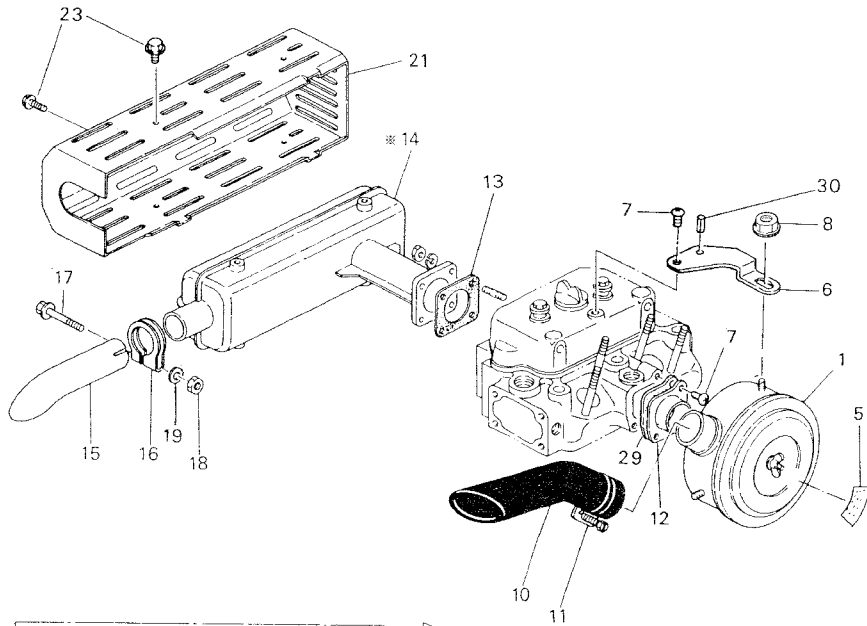
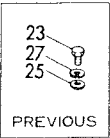
Remarks:
 &-marked parts: From May, 1975.
 Interchangeable provided CAP (Refer. No. 3-52 P/124160-11360) 2 pcs. and O-RING 12-P (Refer. No. 3-53 P/#24311-000120) 2 pcs. re replace together to with the original type.

3. CYLINDER HEAD

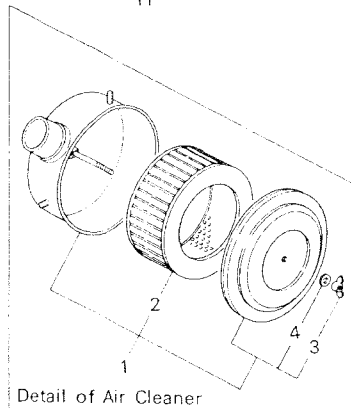
| Refer. No. | Description | Part No. | Qty/Unit | | Inter-changeability | Design-change Mark | Remarks |
|------------|--------------------------------|--------------|----------|-------|---------------------|--------------------|-------------------|
| | | | 2TR13A | 2T73A | | | |
| 3- 49 | CAP, oil feed | 124160-01750 | 1 | 1 | | | |
| | CAP, oil feed | 124160-01751 | 1 | 1 | | N | |
| 3- 50 | O-RING 35-G | 24321-000350 | 1 | 1 | 10 | | |
| | O-RING 32-P | 24311-000320 | 1 | 1 | 10 | N | |
| 3- 51 | PACKING, bonnet (Sheet type) | 124060-11310 | 1 | 1 | 10 | | |
| | PACKING, bonnet (O-Ring type) | 124060-11311 | 1 | 1 | 10 | S | [1] |
| 3- 52 | CAP, bonnet | 124250-11811 | 2 | | | | |
| | CAP, bonnet | 124160-11360 | 2 | 2 | | S | \$ From May, 1975 |
| 3- 53 | PACKING 8 | 23414-080000 | 2 | | | | |
| | O-RING 12-P | 24311-000120 | 2 | 2 | 10 | S | \$ From May, 1975 |
| 3- 54 | LABEL, draining engine coolant | 124064-07150 | 1 | 1 | | | |
| 3- 55 | SPRING PIN 6AW x 12 | 22351-060012 | 2 | 2 | 10 | | |
| | PIN, support | 124060-11280 | 2 | 2 | 10 | N | |
| 3- 56 | PLATE, shelter | 124660-11670 | | 1 | | | |
| | PLATE, shelter | 124660-11680 | | 1 | | S | [3] |
| 3- 57 | SPRING WASHER 8 | 22217-080000 | | 2 | | Z | |
| 3- 58 | NUT M8 | 26716-080002 | | 2 | | Z | |

Remarks:
 \$-marked parts: From May, 1975.
 Interchangeable provided CAP (Refer. No. 3-52 P/#124160-11360) 2 pcs., and O-ring 12-P (Refer. No. 3-53 P/#24311-000120) 2 pcs. and BONNET ASS'Y (P/#72060-11521) 1 set are replaced together with the original type.

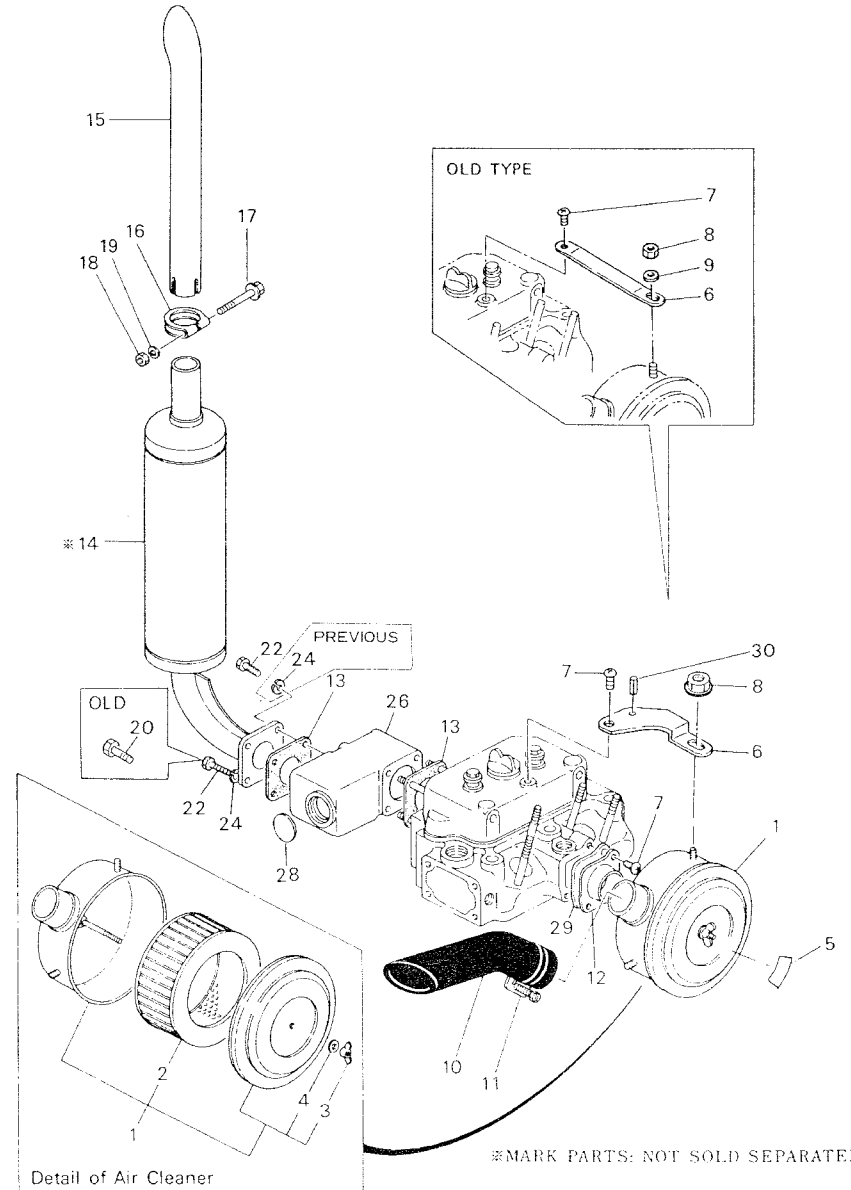
4. AIR CLEANER & SILENCER
 (2T73A·YM135/YM135D) & (2TR13A·YM155 NEW TYPE)
 From E/# 22344



*MARK PARTS: NOT SOLD SEPARATELY



4. AIR CLEANER & SILENCER
 (2TR13A·YM155/YM155D) & (2TR13A OLDTYPE)
 Up to E/# 22343



*MARK PARTS: NOT SOLD SEPARATELY

4. AIR CLEANER & SILENCER

| Refer. No. | Description | Part No. | Qty/Unit | | Inter-changeability | Design-change Mark | Remarks |
|------------|-----------------------------|--------------|----------|-------|---------------------|--------------------|--|
| | | | 2TR13A | 2T73A | | | |
| 4- 1 | AIR CLEANER | 124060-12501 | 1 | 1 | | | |
| | AIR CLEANER | 124060-12502 | 1 | 1 | N | | 2TR13A E/#02537 2T73A E/#00494 |
| 4- 2 | ELEMENT, air cleaner | 124060-12510 | 1 | 1 | | | |
| 4- 3 | WING NUT | 101147-12550 | 1 | 1 | | | |
| 4- 4 | WASHER | 124450-12570 | 1 | 1 | | | Up to July, 1977 |
| | WASHER | 124450-12571 | 1 | 1 | 10 | S | 2TR13A G01966 |
| 4- 5 | LABEL, cleaner caution | 124064-12600 | 1 | 1 | | | |
| 4- 6 | RETAINER, air cleaner | 124060-12520 | 1 | 1 | | | |
| | RETAINER, air cleaner | 124060-12521 | 1 | 1 | N | | |
| 4- 7 | SCRE M8 x 12, plate | 26557-080122 | 3 | 3 | 10 | | |
| | BOLT M8 x 12 | 26116-080122 | 3 | 3 | 10 | N | |
| | BOLT M8 x 12 | 26106-080122 | 2 | 2 | 10 | N | |
| 4- 8 | NUT M8, plate | 26716-080002 | 1 | 1 | 10 | | |
| | NUT M8, plate | 26366-080002 | 1 | 1 | 10 | N | |
| 4- 9 | WASHER 8 | 22137-080000 | 1 | 1 | 10 | Z | |
| 4- 10 | PIPE, air intake to cleaner | 124060-12530 | 1 | 1 | | | |
| 4- 11 | CLAMP 50 | 23010-050000 | 1 | 1 | 10 | | |
| 4- 12 | BRACKET, air cleaner | 124060-12020 | 1 | 1 | | | |
| 4- 13 | GASKET, silencer | 124450-11900 | 2 | 1 | 10 | | |
| | GASKET, silencer | 124450-11900 | 1 | 10 | K | [5] | |
| | GASKET, silencer | 124701-11910 | 1 | 1 | 10 | N | |
| | 2nd SILENCER ASS'Y, exhaust | 724160-13700 | 1 | | | Z | [5] Inc. 4-14 23 |
| | 2nd SILENCER ASS'Y, exhaust | 724660-13700 | 1 | | | W | [5] 2TR13A E/#22343 2TR13A E/#22344 |
| | SILENCER ASS'Y, exhaust | 721454-13700 | 1 | | | N | |
| | SILENCER ASS'Y, exhaust | 724660-13700 | | 1 | | | 2TR73A E/#81025 |
| | SILENCER ASS'Y, exhaust | 724664-13700 | | 1 | | N | |
| 4- 14 | BODY, silencer | * | 1 | | | Z | Not Sold Separately. |
| | BODY, silencer | * | 1 | | | W | Not Sold Separately. |
| | BODY, silencer | * | 1 | | | | Not Sold Separately. |

4. AIR CLEANER & SILENCER

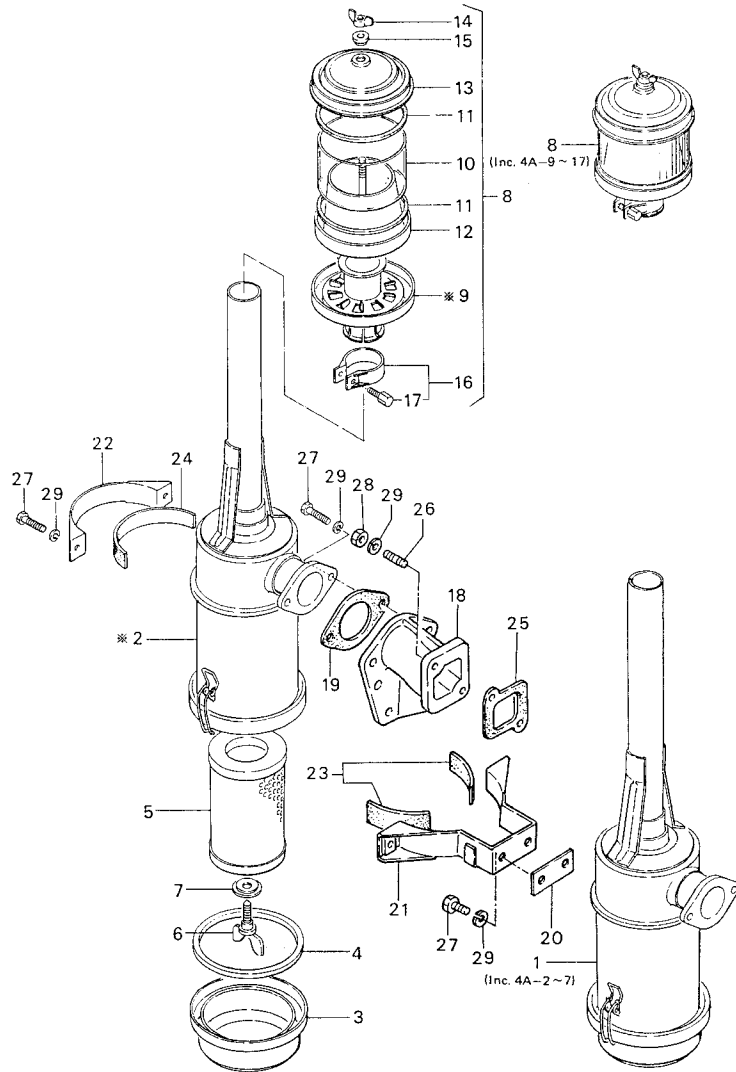
| Refer. No. | Description | Part No. | Qty/Unit | | Inter-changeability | Design-change Mark | Remarks |
|------------|----------------------|--------------|----------|-------|---------------------|--------------------|-----------------|
| | | | 2TR13A | 2T73A | | | |
| 4- 15 | PIPE, 2nd silencer | 124160-13570 | 1 | | | | |
| | PIPE, 2nd silencer | 121250-13571 | 1 | | | N | |
| | PIPE, 2nd silencer | 121250-13571 | 1 | | | Z | [5] E/#22344 |
| | PIPE, silencer | 121454-13651 | 1 | | | W | |
| | PIPE, silencer | 124600-13520 | | 1 | | | [5] E/#81025 |
| | PIPE, silencer | 121250-13571 | 1 | 1 | | W | [5] E/#22344 |
| 4- 16 | CLAMP | 121250-13580 | 1 | | | Z | [5] |
| | CLAMP | 124660-13530 | | 1 | | | Up to Oct. 1977 |
| | CLAMP | 103854-13580 | | 1 | | N,Z | Up to E/#81024 |
| | CLAMP | 124664-13580 | 1 | | | W | [5] |
| | CLAMP | 121470-13580 | 1 | | | N | |
| 4- 17 | BOLT M10 x 65 | 26116-100652 | 1 | 10 | | Z | [5] |
| | BOLT M10 x 50 | 26116-100502 | 1 | 10 | | W | [5] |
| | BOLT M10 x 50 | 26116-100502 | 1 | 10 | | W | [5] |
| | BOLT M8 x 60 | 26116-080602 | 1 | 1 | 10 | W | [5] |
| | BOLT M8 x 65 | 26106-100652 | 1 | 10 | | N | |
| | BOLT M8 x 60 | 26106-080602 | | 1 | 10 | N | |
| 4- 18 | NUT M10 | 26716-100002 | 1 | 1 | 10 | Z | |
| | NUT M8 | 26716-080002 | 1 | 1 | 10 | W | [5] |
| | NUT M10 | 26706-100002 | 1 | 10 | | N | |
| | NUT M8 | 26366-080002 | | 1 | 10 | N | |
| 4- 19 | SPRING WASHER 10 | 22217-100000 | 1 | 1 | 10 | Z | |
| | SPRING WASHER 8 | 22217-080000 | 1 | 1 | 10 | W | |
| | SPRING WASHER 10 | 22217-100000 | 1 | 10 | | N | |
| 4- 20 | BOLT M8 x 25, plated | 26116-080252 | 1 | 10 | | Z | [4] |
| 4- 21 | COVER, silencer | 124660-13540 | | 1 | | | |
| | COVER, silencer | 124660-13540 | 1 | | | W,Z | [5] |
| | COVER, silencer | 124664-13540 | | 1 | | N | |

4. AIR CLEANER & SILENCER

| Refer. No. | Description | Part No. | Qty/Unit | | Inter-change-ability | Design-change Mark | Remarks |
|------------|-----------------------|--------------|----------|-------|----------------------|--------------------|-----------------------------------|
| | | | 2TR13A | 2T73A | | | |
| 4- 22 | BOLT M8 x 22, plated | 26117-080222 | 3 | 10 | | | |
| | BOLT M8 x 22, plated | 26116-080222 | 4 | 10 | N&K | [4] | |
| | BOLT M8 x 22, plated | 26116-080222 | 4 | | Z | [5] | |
| 4- 23 | BOLT M6 x 10, plated | 26116-060102 | 6 | 10 | | | |
| | BOLT M6 x 10, plated | 26116-060102 | 5 | 10 | W | [5] | |
| | BOLT M6 x 10, plated | 26106-060102 | 6 | 10 | N | | |
| 4- 24 | SPRING WASHER 8 | 22217-080000 | 4 | 10 | Z | [5] | |
| 4- 25 | WASHER 6 | 22137-060000 | 6 | 10 | | | |
| | WASHER 6 | 22137-060000 | 6 | 10 | W,Z | | |
| 4- 26 | 1st SILENCER, exhaust | 124060-13811 | 1 | | Z | [5] | |
| 4- 27 | SPRING WASHER 6 | 22217-060000 | 6 | 10 | | | |
| | SPRING WASHER 6 | 22217-060000 | 6 | 10 | W,Z | [5] | |
| 4- 28 | PLUG 35 | 27231-350000 | 2 | 10 | | | |
| | PLUG 35 | 27233-350000 | 2 | 10 | N | | |
| | PLUG 35 | 27233-350000 | 2 | | Z | [5] | |
| 4- 29 | PACKING, bracket | 124060-12030 | 1 | 1 10 | W | | 2TR13A E/#01031 2T73A E/#00282 |
| 4- 30 | SPRING PIN 4AW x 12 | 22351-040012 | 1 | 1 10 | W | | |
| 4- 31 | BOLT M8 x 14 | 26106-080142 | 1 | 1 10 | W | | |

4A. AIR CLEANER (With Pre-cleaner)

4A. AIR CLEANER (With Pre-cleaner)



*MARK PARTS: NOT SOLD SEPARATELY.

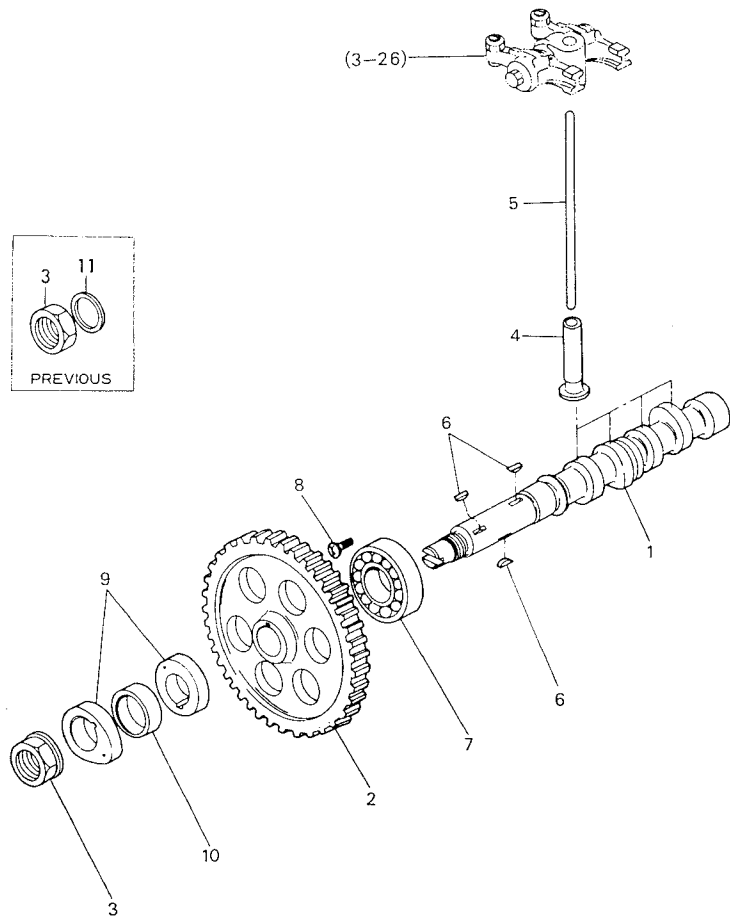
| Refer. No. | Description | Part No. | Qty/Unit | | Inter-change-ability | Design-change Mark | Remarks |
|------------|----------------------------|--------------|----------|-------|----------------------|--------------------|-------------------------------------|
| | | | 2TR13A | 2T73A | | | |
| 4A-1 | CLEANER ASS'Y, air | 124064-12500 | 1 | 1 | | | |
| 4A-2 | .BODY, cyclon type cleaner | * | 1 | 1 | * | | Not Sold Separately. (124064-12650) |
| 4A-3 | .PAN, dust | 124064-12660 | 1 | 1 | | | |
| 4A-4 | .BAFFLE | 124064-12670 | 1 | 1 | | | |
| 4A-5 | .ELEMENT | 124064-12510 | 1 | 1 | | | |
| 4A-6 | .BOLT, wing | 124064-12680 | 1 | 1 | | | |
| 4A-7 | .WASHER, seal | 124064-12690 | 1 | 1 | 10 | | |
| 4A-8 | PRE-CLEANER ASS'Y 115h | 124064-12400 | 1 | 1 | | | |
| 4A-9 | .BODY, pre-cleaner 129d | * | 1 | 1 | * | | Not Sold Separately. (124064-12410) |
| 4A-10 | .TUBE 124d | 124064-12420 | 1 | 1 | | | |
| 4A-11 | .GASKET, tube | 124064-12430 | 2 | 2 | 10 | | |
| 4A-12 | .CASE w/GASKET | 124064-12470 | 1 | 1 | | | Inc. 4A-11 |
| 4A-13 | .COVER (UPPER) w/GASKET | 124064-12440 | 1 | 1 | | | Inc. 4A-11 |
| 4A-14 | .WING NUT | 101147-12550 | 1 | 1 | 10 | | |
| 4A-15 | .WASHER, seal | 124450-12571 | 1 | 1 | 10 | | |
| 4A-16 | .CLAMP, pre-cleaner | 124064-12450 | 1 | 1 | | | Inc. 4A-17 |
| 4A-17 | .BOLT, clamp | 124064-12460 | 1 | 1 | 10 | | |
| 4A-18 | BRACKET, air cleaner | 124067-12100 | 1 | 1 | | | |
| 4A-19 | PACKING, air cleaner | 124067-12050 | 1 | 1 | 10 | | |
| 4A-20 | PACKING, cleaner bracket | 124067-12060 | 1 | 1 | 10 | Z | Up to May, 1978. |
| 4A-21 | BRACE(A), cleaner | 124064012550 | 1 | 1 | | | |
| 4A-22 | BRACE(B), cleaner | 124064012560 | 1 | 1 | | | |

4A. AIR CLEANER (With Pre-cleaner)

M E M O

| Refer. No. | Description | Part No. | Qty/Unit | | Inter-change-ability | Design-change Mark | Remarks |
|------------|------------------|--------------------------|----------|-------|----------------------|--------------------|----------|
| | | | 2TRISA | 2T73A | | | |
| 4A-23 | SEAT(A), brace | 124064-12570 | 2 | 2 | 10 | | |
| 4A-24 | SEAT(B), brace | 124064-12580 | 1 | 1 | 10 | | |
| 4A-25 | PACKING, bracket | 124064 -12030 | 1 | 1 | 10 | | Misprint |
| 4A-26 | STUD M8 x 22 | 124060- 26216-080222 | 2 | 2 | 10 | | |
| 4A-27 | BOLT M8 x 22 | 26116-080222 | 6 | 6 | 10 | | |
| 4A-28 | NUT M8 | 26714-080002 | 4 | 4 | | | |
| 4A-29 | SPRING WASHER 8 | 22217-080000 | 8 | 8 | 10 | | |

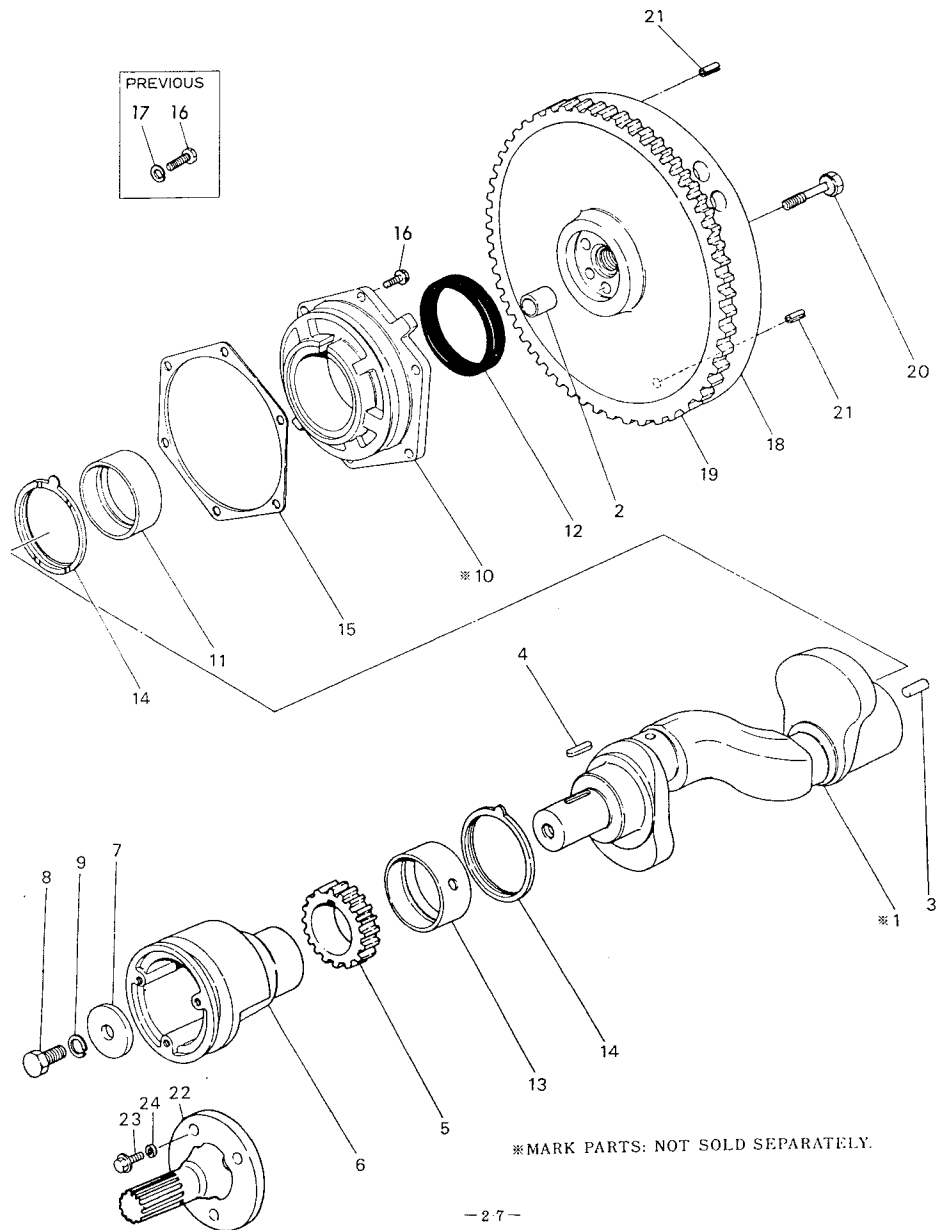
5. CAMSHAFT



5. CAMSHAFT

| Refer. No. | Description | Part No. | Qty/Unit | | Inter-change-ability | Design-change Mark | Remarks |
|------------|----------------------------|--------------|----------|-------|----------------------|--------------------|---------|
| | | | 2TR13A | 2T73A | | | |
| 5- 1 | CAMSHAFT | 124060-14010 | 1 | 1 | | | |
| 5- 2 | GEAR, camshaft | 124060-14100 | 1 | 1 | | | |
| 5- 3 | NUT, camshaft gear fitting | 104300-76460 | 1 | 1 | | | |
| | NUT | 121450-14120 | 1 | 1 | N | | |
| 5- 4 | TAPPET | 104200-14200 | 4 | 4 | | | |
| 5- 5 | PUSH ROD, valve | 124060-14400 | 4 | 4 | | | |
| 5- 6 | KEY 5 x 19 | 22522-050190 | 3 | 3 | 10 | | |
| 5- 7 | BALL BEARING, camshaft | 24101-062054 | 1 | 1 | | | |
| 5- 8 | SCREW MB x 10 | 26487-080102 | 1 | 1 | 10 | | |
| 5- 9 | CAM, fuel | 124060-14090 | 2 | 2 | | | |
| 5- 10 | SPACER, fuel cam | 124060-14950 | 1 | 1 | | | |
| 5- 11 | WASHER | 124060-14470 | 1 | 1 | Z | | |

6. MAIN BEARING & CRANKSHAFT



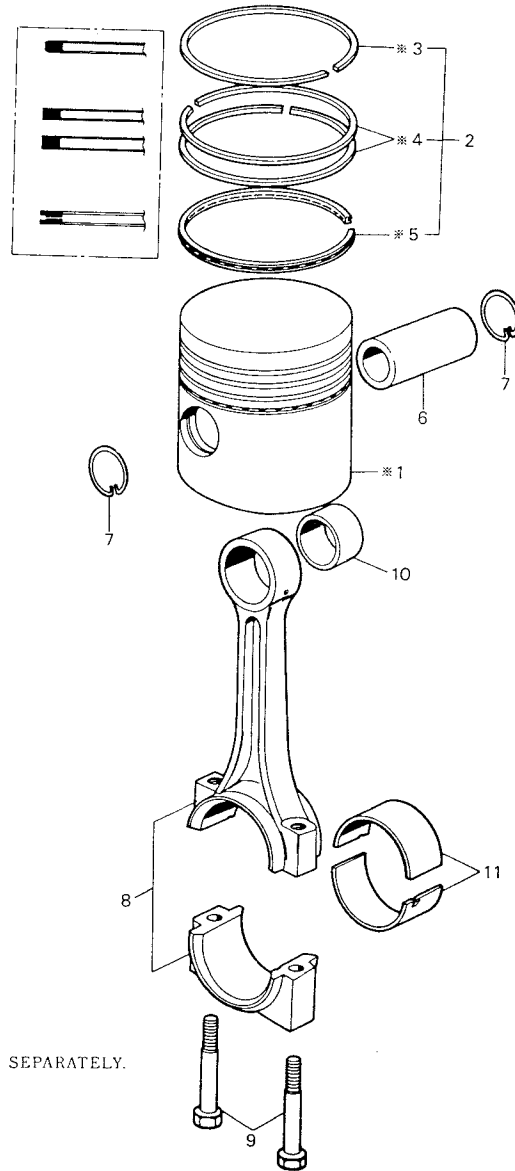
6. MAIN BEARING & CRANKSHAFT

| Refer. No. | Description | Part No. | Qty/Unit | | Inter-change-ability | Design-change Mark | Remarks |
|------------|--------------------------------|--------------|----------|-------|----------------------|--------------------|--|
| | | | 2TRISA | 2T7DA | | | |
| | CRANKSHAFT ASS'Y | 724060-21700 | 1 | 1 | | | |
| 6- 1 | .CRANKSHAFT | * | 1 | 1 | | | Not Sold Separately. |
| 6- 2 | .BUSH, pilot | 124450-21230 | 1 | 1 | | | |
| 6- 3 | .PARALLEL PIN 8 x 16 | 22312-080160 | 1 | 1 | 10 | | |
| 6- 4 | .KEY 7 x 30 | 22512-070330 | 1 | 1 | 10 | | |
| | .KEY 7 x 28 | 22512-070282 | 1 | 1 | 10 | N | |
| 6- 5 | GEAR, crankshaft | 124060-21200 | 1 | 1 | | | |
| 6- 6 | V-PULLEY, P.T.O. to crankshaft | 124060-21650 | 1 | 1 | | | |
| 6- 7 | WASHER, V-pulley | 114060-21660 | 1 | 1 | | | |
| 6- 8 | BOLT M12 x 25 | 26156-120252 | 1 | 1 | 10 | | |
| | BOLT, V-pulley | 105582-21950 | 1 | 1 | 10 | N | |
| 6- 9 | SPRING WASHER 12 | 22217-120000 | 1 | 1 | 10 | | |
| | HOUSING ASS'Y, main bearing | 724060-02500 | 1 | 1 | | | |
| 6- 10 | .HOUSING | * | 1 | 1 | | | Not Sold Separately. (124060-02010) |
| 6- 11 | .MAIN BEARING | 124060-02100 | 1 | 1 | | | |
| | .MAIN BEARING | 124060-02101 | 1 | 1 | | N | |
| | .MAIN BEARING | 121550-02110 | 1 | 1 | | N | |
| 6- 12 | .OIL SEAL, crankshaft | 124060-02220 | 1 | 1 | 10 | | |
| 6- 13 | MAIN BEARING, V-pulley side | 124060-02100 | 1 | 1 | | | |
| | MAIN BEARING, V-pulley side | 124060-02101 | 1 | 1 | | N | |
| | MAIN BEARING, V-pulley side | 121550-02110 | 1 | 1 | | N | |
| 6- 14 | THRUST BEARING | 124060-02110 | 2 | 2 | 10 | | |
| 6- 15 | BACKING, main bearing housing | 124060-02020 | 1 | 1 | 10 | | |
| 6- 16 | BOLT M8 x 22, plated | 26116-080222 | 6 | 6 | 10 | | |
| | BOLT M8 x 22 | 26013-080222 | 6 | 6 | 10 | N | |
| 6- 17 | SPRING WASHER 8 | 22217-08000 | 6 | 6 | 10 | Z | |

6. MAIN BEARING & CRANKSHAFT

| Refer. No. | Description | Part No. | Q'ty/Unit | | Sales Unit | Inter-change-ability | Design-change Mark | Remarks |
|------------|--|----------------|-----------|-------|------------|----------------------|--------------------|---------|
| | | | 2TR13A | 2T73A | | | | |
| 6- 18 | FLYWHEEL w/RING GEAR | 124060-21590 | 1 | 1 | | | | |
| 6- 19 | .RING GEAR | 124060-21600 | 1 | 1 | | | | |
| 6- 20 | BOLT, flywheel fitting | 124160-21500 | 5 | 5 | 10 | | | |
| | BOLT | 124160-21501 | 5 | 5 | 10 | N | | |
| 6- 21 | SPRING PIN 8AW x 16 | (22351-080016) | 2 | 2 | 10 | | | |
| 6- 22 | SHAFT, front P.T.O. | 124060-21680 | 1 | 1 | | | | |
| 6- 23 | BOLT M10 x 25 | 26116-100252 | 3 | 3 | 10 | | | |
| | BOLT M10 x 25 | 26106-100252 | 3 | 3 | 10 | N | | |
| 6- 24 | SPRING WASHER 10 | 22217-100000 | 3 | 3 | 10 | | | |
| 6- 25 | "Exclusive Spare Parts" (Undersize Bearing) MAIN BEARING (0.25 US) | 124064-02130 | 2 | 2 | | | | |

7. PISTON & CONNECTING ROD

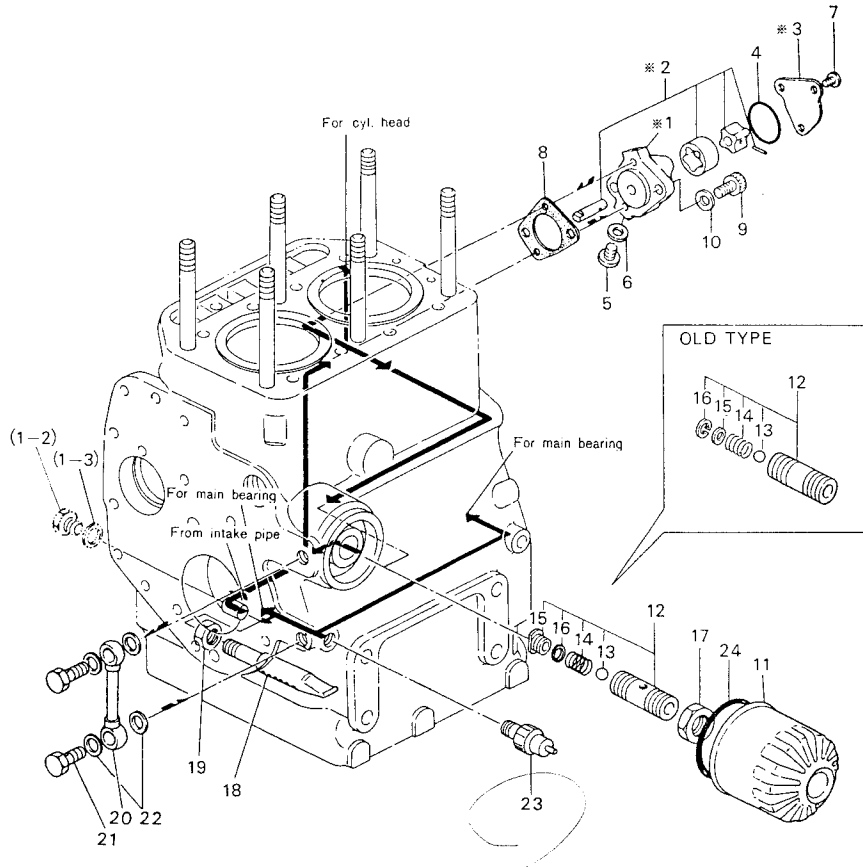


*MARK PARTS: NOT SOLD SEPARATELY.

7. PISTON & CONNECTING ROD

| Refer. No. | Description | Part No. | Q'ty/Unit | | | Inter-change-ability | Design-change Mark | Remarks |
|------------|--|-------------------------------------|-----------|-------|------------|----------------------|--------------------|----------------------|
| | | | 2173A | 2173A | Sales Unit | | | |
| | PISTON w/RINGS | 124060-22090 | 2 | | | | | |
| | PISTON w/RINGS | 724060-22721 | 2 | | | N | | |
| | PISTON w/RINGS | 724060-22722 | 2 | | | N | | |
| | PISTON w/RINGS | 724660-22722 | | 2 | | | | |
| 7- 1 | .PISTON | * | 2 | | | | | Not Sold Separately. |
| | .PISTON | * | 2 | | | | | Not Sold Separately. |
| 7- 2 | .PISTON RING SET | 704200-22500 | 2 | | 5 | | | |
| | .PISTON RING SET | 724066-22510- 22501 | 2 | | 5 | N | | Misprint |
| | .PISTON RING SET | 724066- 22500 724660- | 2 | | 5 | | | Misprint |
| 7- 3 | PISTON RING, No. 1 | * | 2 | | | | | Not Sold Separately. |
| | PISTON RING, No. 1 | * | 2 | | | | | Not Sold Separately. |
| 7- 4 | PISTON RING, No. 2 & 3 | * | 4 | | | | | Not Sold Separately. |
| | PISTON RING, No. 2 & 3 | * | 4 | | | | | Not Sold Separately. |
| 7- 5 | OIL RING | * | 2 | | | | | Not Sold Separately. |
| | OIL RING | * | 2 | | | | | Not Sold Separately. |
| 7- 6 | PIN, piston | 104200-22300 | 2 | | | | | |
| | PIN, piston | 104660- 22300 124060- | 2 | | | | | Misprint |
| 7- 7 | CIRCLIP, piston pin | 172100-22400 | 4 | 4 | 10 | | | |
| 7- 8 | CONNECTING ROD ASS'Y | 724660-23100 | 2 | 2 | | | | |
| | CONNECTING ROD ASS'Y | 724060-23100 | 2 | | | N | | |
| 7- 9 | .BOLT, connecting rod | 124060-23201 | 4 | 4 | 2 | | | |
| | .BOLT | 104500-23201 | 4 | | 2 | N | | |
| 7- 10 | .BUSH, piston pin | 124060-23100 | 2 | 2 | | | | |
| 7- 11 | .CRANK PIN BEARING | 124060-23300 | 2 | 2 | | | | |
| | "Exclusive Spare Parts" (Undersize Bearing) | | | | | | | |
| 7- 12 | CRANK PIN BEARING (0.25US) | 124064-23350 | 2 | 2 | | | | |
| | CRANK PIN BEARING (0.25US) | 724064-23610 | 2 | 2 | | N | | |

8. LUBRICATING OIL SYSTEM



*MARK PARTS: NOT SOLD SEPARATELY.

8. LUBRICATING OIL SYSTEM

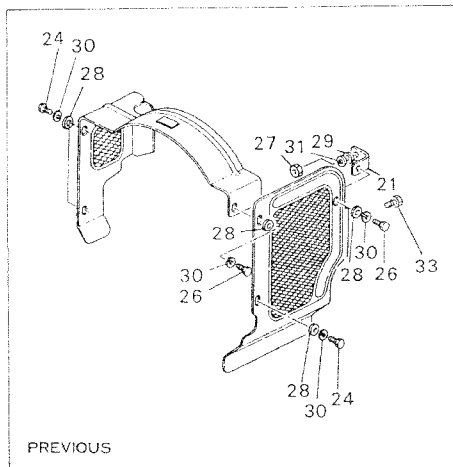
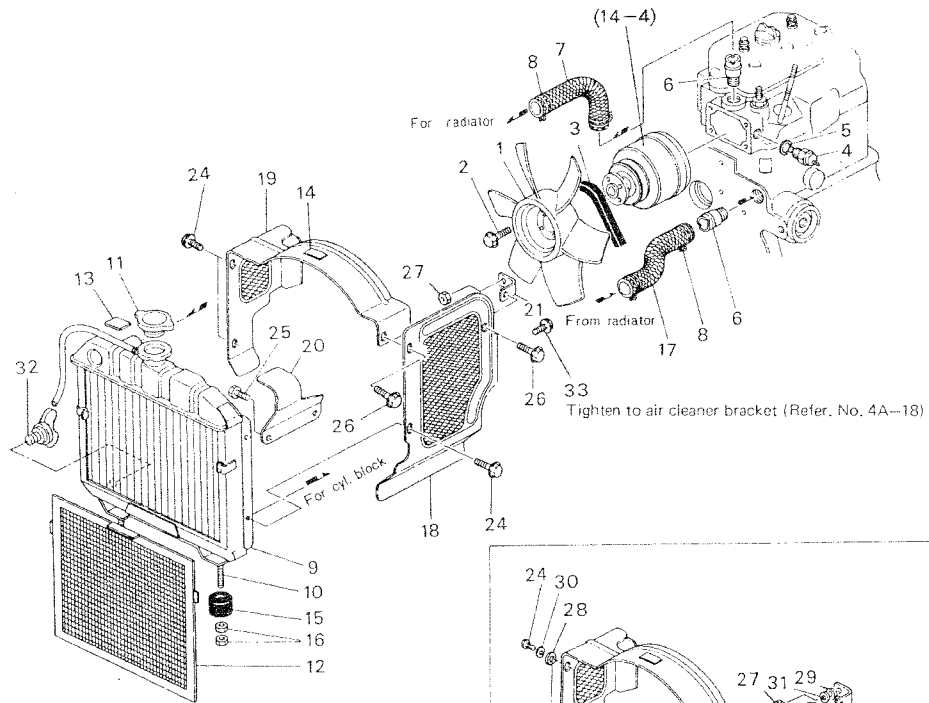
| Refer. No. | Description | Part No. | Qty/Unit | | Interchangeability | Design-change Mark | Remarks |
|------------|----------------------------------|--------------|----------|-------|--------------------|--------------------|-------------------------------------|
| | | | 2TR13A | 2TV3A | | | |
| | PUMP ASS'Y, lub. oil | 724060-32701 | 1 | 1 | | | |
| 8- 1 | .PUMP BODY, lub. oil | * | 1 | 1 | | | Not Sold Separately. (124060-32000) |
| 8- 2 | .ROTOR ASS'Y | * | 1 | 1 | | | Not Sold Separately. (124060-32011) |
| 8- 3 | .COVER, pump | * | 1 | 1 | | | Not Sold Separately. (124060-32070) |
| 8- 4 | .O-RING | 103338-32570 | 1 | 1 | 10 | | |
| 8- 5 | .PLUG | 124060-32990 | 2 | 2 | 10 | | |
| 8- 6 | .PACKING 8 | 23414-080000 | 2 | 2 | 10 | | |
| 8- 7 | .SCREW M6 x 10 | 26587-060102 | 3 | 3 | 10 | | |
| 8- 8 | PACKING, Lub. oil pump | 124060-32091 | 1 | 1 | 10 | | |
| | PACKING, Lub. oil pump | 124060-32092 | 1 | 1 | 10 | N | |
| 8- 9 | BOLT M8 x 25 | 26450-080252 | 2 | 2 | 10 | | |
| 8- 10 | WASHER | 124060-32130 | 2 | 2 | 10 | | |
| 8- 11 | STRAINER, lub. oil | 124450-35100 | 1 | 1 | | | Inc. 8-24 |
| 8- 12 | VALVE ASS'Y, pressure regulating | 124450-35301 | 1 | 1 | | | Up to Oct. 1977 |
| | VALVE ASS'Y, pressure control | 121250-35300 | 1 | 1 | | N | 2TR13A E/#02368 |
| | VALVE ASS'Y, pressure control | 124085-35300 | 1 | 1 | | N | |
| 8- 13 | STEEL BALL 5/16 | 24190-100001 | 1 | 1 | 10 | | |
| 8- 14 | SPRING, pressure adjusting | 124450-35320 | 1 | 1 | 10 | | |
| | SPRING, pressure adjusting | 121250-35320 | 1 | 1 | 10 | S | |
| 8- 15 | SPRING SHOE, pressure adjusting | 124450-35330 | 1 | 1 | 10 | | |
| | SPRING SHOE, pressure adjusting | 121250-35330 | 1 | 1 | 10 | S | |
| 8- 16 | CIRCLIP 10 | 22252-000100 | 1 | 1 | 10 | | Z |
| | SHIM | 121250-35340 | 1 | 1 | 10 | | W |
| 8- 17 | LOCK NUT | 124450-35350 | 1 | 1 | 10 | | |
| | LOCK NUT | 124085-35350 | 1 | 1 | 10 | N | |

8. LUBRICATING OIL SYSTEM

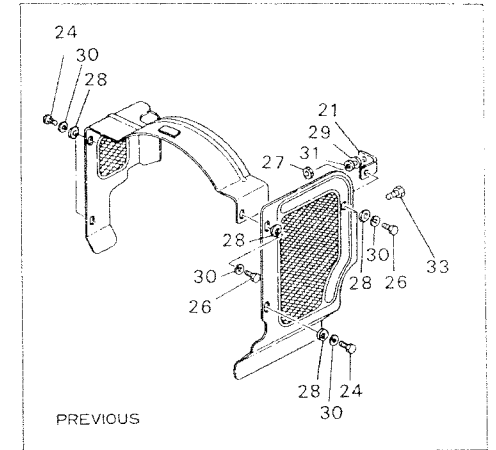
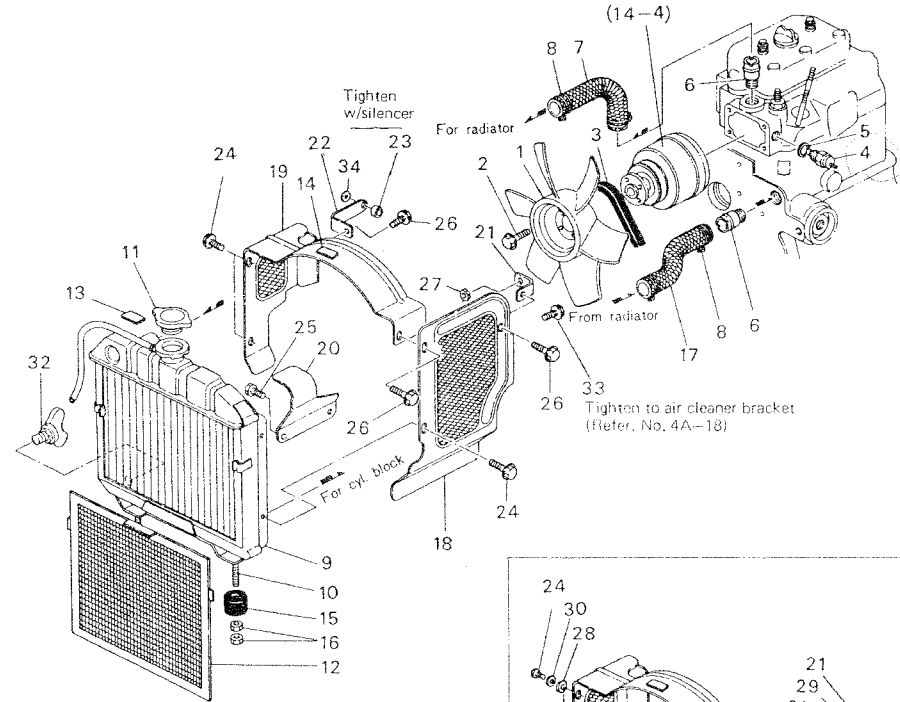
MEMO

| Refer. No. | Description | Part No. | Qty/Unit | | Sales Unit | Inter-change-ability | Design-change Mark | Remarks |
|------------|---------------------------|--------------|----------|-------|------------|----------------------|--------------------|---------|
| | | | 2TR13A | 2173A | | | | |
| 8- 18 | PIPE, lub. oil intake | 124060-35060 | 1 | 1 | | | | |
| | PIPE, lub. oil intake | 124732-35090 | 1 | 1 | | N | | |
| 8- 19 | LOCK NUT PFL/4 | 124450-35070 | 1 | 1 | 10 | | | |
| 8- 20 | PIPE, lub. oil | 124060-39200 | 1 | 1 | | | | |
| 8- 21 | BOLT, pipe joint | 124450-39140 | 2 | 2 | | | | |
| 8- 22 | PACKING 12, copper | 23414-120000 | 4 | 4 | 10 | | | |
| 8- 23 | SENDER, oil pressure | 124060-39451 | 1 | 1 | | | | |
| 8- 24 | O-RING, lub. oil strainer | 124450-35110 | 1 | 1 | 10 | | | |

9. COOLING WATER SYSTEM [2T73A·YM135·YM135D]



9. COOLING WATER SYSTEM [2TR13A·YM155·YM155D]



9. COOLING WATER SYSTEM

| Refer. No. | Description | Part No. | Qty/Unit | | Inter-change-ability | Design-change Mark | Remarks |
|------------|--|--------------|----------|-------|----------------------|--------------------|---------|
| | | | 2TR13A | 2T73A | | | |
| 9- 1 | FAN | 124750-44740 | 1 | 1 | | | |
| | FAN | 124450-44740 | 1 | 1 | S | [4] | |
| 9- 2 | BOLT M6 x 10, plated | 26116-060102 | 4 | 4 | 10 | | |
| | BOLT M6 x 10 | 26106-060102 | 4 | 4 | 10 | N | |
| 9- 3 | V-BELT (A-28 inch) | 124060-44290 | 1 | 1 | | | |
| | V-BELT (A-28 inch) | 124064-44290 | 1 | 1 | | N | |
| 9- 4 | SENDER, temperature | 124450-44901 | 1 | 1 | | | |
| | SENDER, temperature | 124450-44902 | 1 | 1 | | N | |
| 9- 5 | PACKING 16, copper | 23414-160000 | 1 | 1 | 10 | | |
| | PACKING 16, copper | 124465-44950 | 1 | 1 | 10 | N | |
| 9- 6 | JOINT, cooling water | 124160-49480 | 2 | 2 | | | |
| 9- 7 | PIPE(A), cooling water (head radiator) | 124060-49010 | 1 | 1 | | | |
| 9- 8 | CLAMP 38 | 23010-03800 | 4 | 4 | 10 | | |
| 9- 9 | RADIATOR | 124060-44500 | 1 | 1 | | | |
| | RADIATOR | 124064-44500 | 1 | 1 | | S | [4] |
| 9- 10 | STUD | 124060-44800 | 2 | 2 | 10 | | |
| 9- 11 | CAP, radiator | 124756-44590 | 1 | 1 | | | |
| 9- 12 | SCREEN, radiator | 124160-44580 | 1 | 1 | | | |
| | | 124064-44580 | 1 | 1 | | S | [4] |
| 9- 13 | LABEL, anti-freezing caution | 124764-44920 | 1 | 1 | | | |
| 9- 14 | LABEL, radiator caution | 124064-44910 | 1 | 1 | | | |
| 9- 15 | SHOCK ABSORBER, radiator | 124060-44650 | 2 | 2 | | | |
| 9- 16 | LOCK NUT M8, plated | 26756-080002 | 4 | 4 | 10 | | |
| 9- 17 | PIPE(B), cooling water (radiator block) | 124060-49020 | 1 | 1 | | | |
| 9- 18 | COVER(A), air cleaner side | 124060-44660 | 1 | 1 | | | |
| | COVER(A), air cleaner side | 124064-44660 | 1 | 1 | | S | [4] |

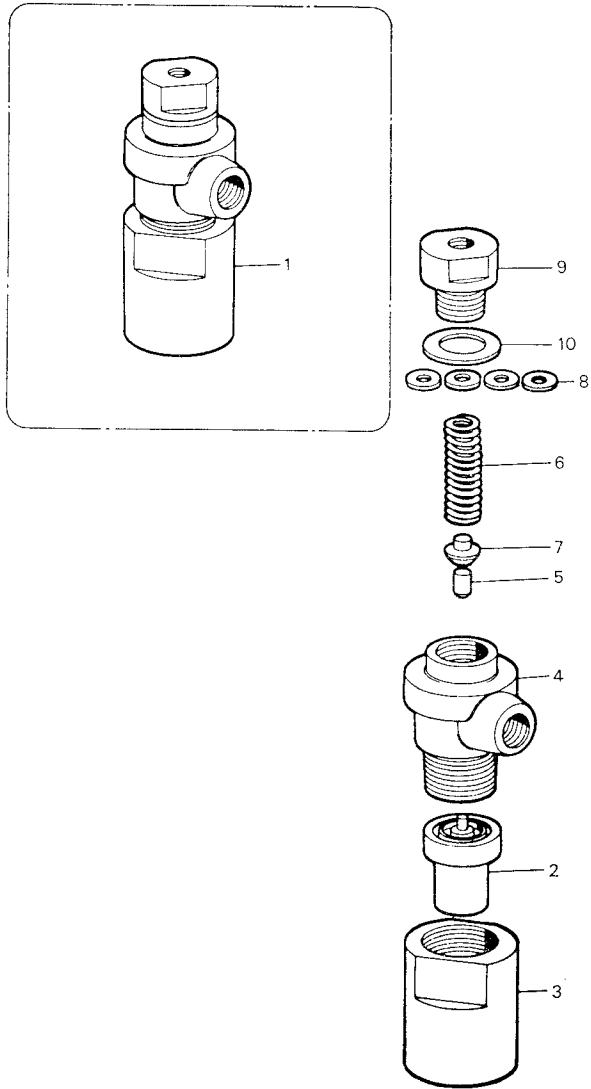
9. COOLING WATER SYSTEM

| Refer. No. | Description | Part No. | Qty/Unit | | Inter-change-ability | Design-change Mark | Remarks |
|------------|--|--------------|----------|-------|----------------------|--------------------|---------------------------------------|
| | | | 2TR13A | 2T73A | | | |
| 9- 19 | COVER(B), exhaust silencer side | 124060-44670 | 1 | 1 | | | |
| 9- 19 | COVER(B), exhaust silencer side | 124064-44670 | 1 | 1 | | S | [4] |
| 9- 20 | COVER(C), exhaust silencer side | 124060-44680 | 1 | 1 | | Z | [4] |
| 9- 21 | BRACKET(A), cover (A) | 124060-44690 | 1 | 1 | | | |
| | BRACKET(A), cover (A) | 124064-44690 | 1 | 1 | | Z | 2TR13A: E/#G03370 2T73A: E/#G00777 |
| 9- 22 | BRACKET(B), cover (B) | 124060-44700 | 1 | 1 | | Z | [4] |
| 9- 23 | SPACER, between cover (B) & bracket (B) | 124060-44710 | 1 | 1 | | Z | [4] |
| 9- 24 | BOLT M6 x 10 | 26116-060102 | 3 | 3 | 10 | | |
| | BOLT M6 x 10 | 26014-060102 | 3 | 3 | 10 | N | |
| 9- 25 | BOLT M8 x 14 | 26116-080142 | 2 | 2 | 10 | Z | [4] |
| 9- 26 | BOLT M6 x 12 | 26116-060122 | 3 | 2 | 10 | | |
| | BOLT M6 x 12 | 26116-060122 | 2 | 2 | 10 | K | [4] |
| | BOLT M6 x 12 | 26014-060122 | 1 | 1 | 10 | N | |
| 9- 27 | LOCK NUT M8 | 26756-080002 | 1 | 1 | 10 | | |
| | LOCK NUT M8 | 26756-080002 | 1 | 1 | 10 | Z | 2TR13A: E/#G03370 2T73A: E/#G00777 |
| 9- 28 | WASHER 6 | 22137-060000 | 6 | 5 | 10 | | |
| | WASHER 6 | 22137-060000 | 5 | 5 | 10 | K | [4] |
| 9- 29 | WASHER 8 | 22137-080000 | 1 | 1 | 10 | | |
| 9- 30 | SPRING WASHER 6 | 22212-060000 | 6 | 5 | 10 | | |
| | SPRING WASHER 6 | 22217-060000 | 5 | 5 | 10 | N&K | [4] |
| | SPRING WASHER 6 | 22217-060000 | 5 | 5 | | Z | |
| 9- 31 | SPRING WASHER 8 | 22217-080000 | 1 | 1 | 10 | | |
| 9- 32 | COCK w/PACKING | 124550-44690 | 1 | 1 | 10 | | |
| | COCK | 124060-44510 | 1 | 1 | 10 | N | |
| 9- 33 | BOLT M8 x 12 | 26116-080122 | 1 | 1 | 10 | W | 2TR13A: E/#G03370 2T73A: E/#G00777 |
| | BOLT M8 x 12 | 26014-080122 | 1 | 1 | 10 | N | |
| 9- 34 | WASHER 8 | 22137-080000 | 1 | 1 | 10 | Z | [4] |

10. FUEL INJECTION PUMP

| Refer. No. | Description | Part No. | Q'ty/Unit | | Inter-change-ability | Design-change Mark | Remarks |
|------------|---|--------------|-----------|-------|----------------------|--------------------|---------|
| | | | 2TR13A | 2T13A | | | |
| 10- 19 | SLEEVE, fuel control pinion(B) | 174307-51550 | 1 | 1 | | | |
| 10- 20 | PINION(B), fuel control toothed | 174307-51560 | 1 | 1 | | | |
| 10- 21 | LOCK SCREW, fuel control toothed clamp | 122117-51560 | 1 | 1 | | | |
| 10- 22 | LABEL, fuel injection pump | 124064-51920 | 1 | | | | |
| | LABEL, fuel injection pump | 124664-51920 | | 1 | | | |
| 10- 23 | RIVET 2.3 x 3 | 22624-230030 | 2 | 2 | 10 | | |
| | RIVET | 124220-51890 | 2 | 2 | 10 | N | |
| 10- 24 | O-RING | 124550-51370 | 2 | 2 | 10 | | |
| 10- 25 | PACKING, delivery valve seat | 124550-51350 | 2 | 2 | | | |
| 10- 26 | SHIM, plunger position adjusting | 174307-51700 | 2 | 2 | | | |

11. FUEL INJECTION VALVE

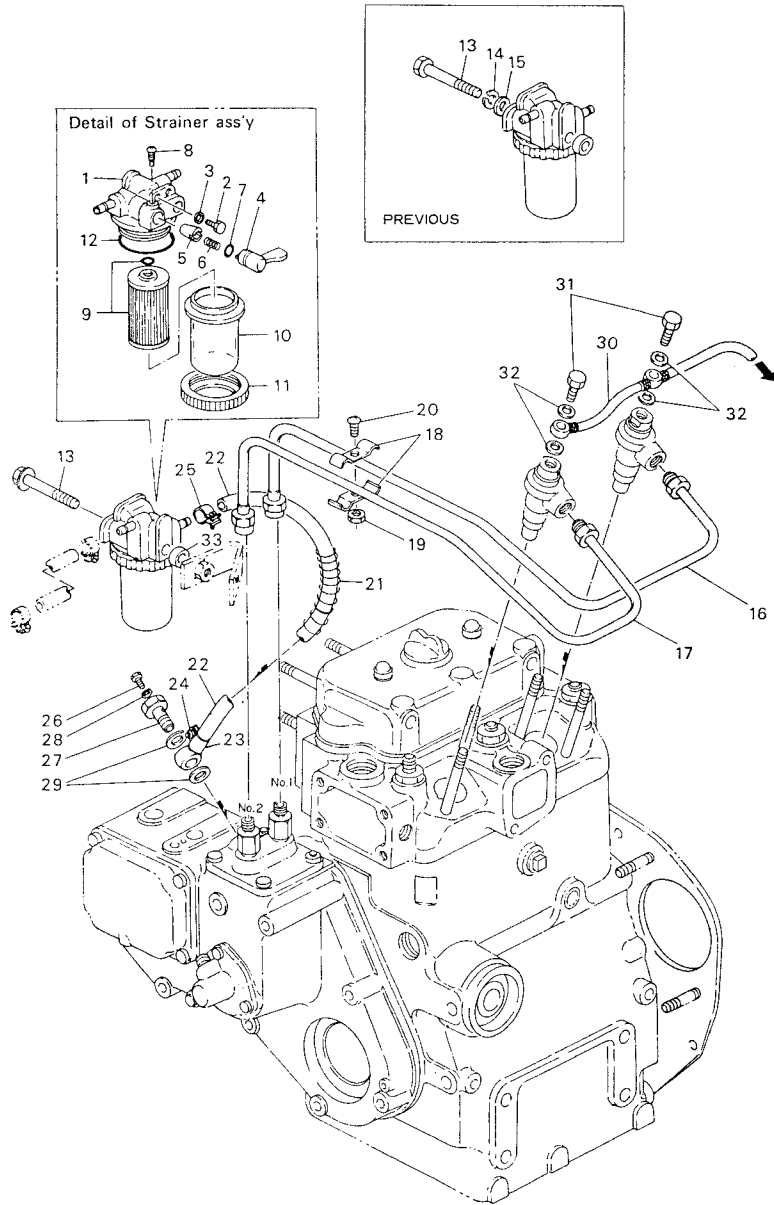


11. FUEL INJECTION VALVE

| Refer. No. | Description | Part No. | Qty/Unit | | Inter-change-ability | Design-change Mark | Remarks |
|------------|--------------------------------|--------------|----------|-------|----------------------|--------------------|--------------|
| | | | 21713A | 2173A | | | |
| 11- 1 | VALVE ASS'Y. fuel injection | 724060-53101 | 2 | 2 | | | Inc. 11-2 10 |
| 11- 2 | VALVE w/CASE | 124770-53000 | 2 | 2 | 10 | | |
| 11- 3 | NUT, valve fitting | 104200-53080 | 2 | 2 | | | |
| 11- 4 | BODY, valve holder | 103854-53100 | 2 | 2 | | | |
| 11- 5 | SPINDLE, inter | 113200-53110 | 2 | 2 | 10 | | |
| 11- 6 | SPRING, valve | 103854-53120 | 2 | 2 | 10 | | |
| 11- 7 | SPRING SHOE, valve | 113200-53120 | 2 | 2 | 10 | | |
| 11- 8 | SHIM, valve spring adjusting | 110250-53150 | 2 | 2 | 10 | | |
| 11- 9 | RETAINER, valve spring | 103854-53180 | 2 | 2 | | | |
| 11- 10 | PACKING, valve spring retainer | 172100-53200 | 2 | 2 | 10 | | |

12. FUEL OIL SYSTEM

12. FUEL OIL SYSTEM



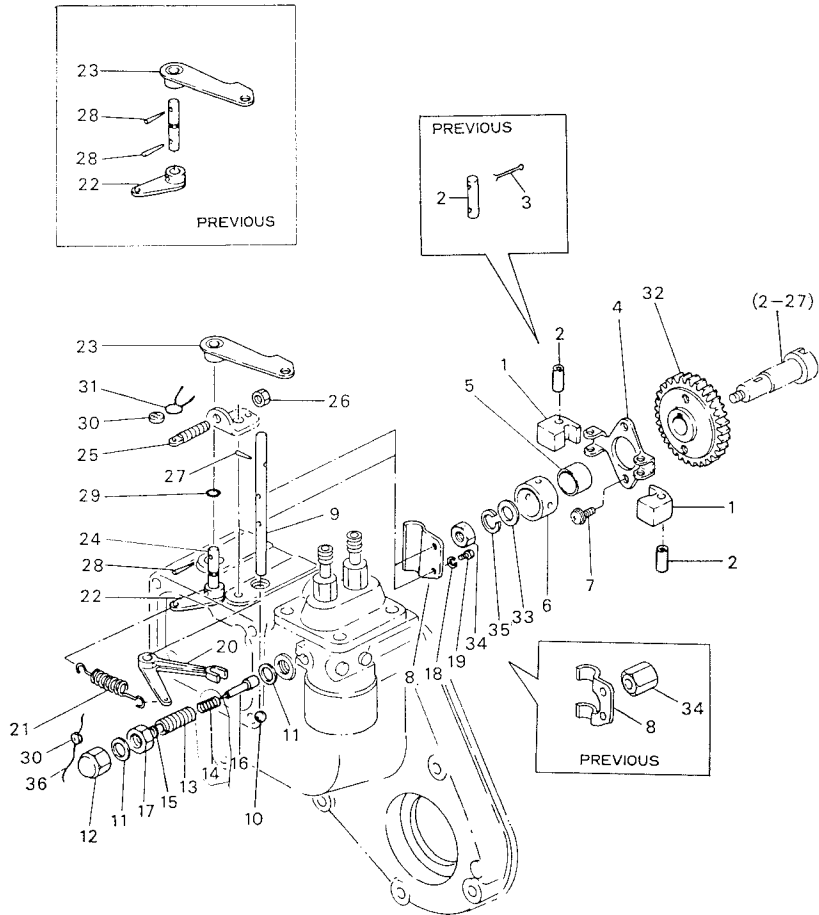
| Refer. No. | Description | Part No. | Q'ty/Unit | | Inter-changeability | Design-change Mark | Remarks |
|------------|---|------------------------------------|-----------|-------|---------------------|--------------------|-----------------------------------|
| | | | 2TR13A | 2T73A | | | |
| | STRAINER ASS'Y, fuel | 724160-55501 | 1 | 1 | | | Inc. 12-1 12 |
| | STRAINER ASS'Y, fuel | 124060-55600 124064- | 1 | 1 | N | | Inc. 12-1 12 2TR13A: E/#G03030 |
| 12- 1 | COCK ASS'Y, fuel | 724260-55200 | 1 | 1 | | | Inc. 12-2 8 |
| 12- 2 | PLUG, fuel strainer | 101720-55750 | 2 | 2 | | | |
| 12- 3 | PACKING 6, nylon | 23418-06000 | 2 | 2 | | | |
| 12- 4 | HANDLE, fuel cock | 104299-55341 104200- | 1 | 1 | | | Misprint |
| 12- 5 | TAPER VALVE | 104200-55321 | 1 | 1 | | | |
| 12- 6 | VALVE SPRING | 104200-55330 | 1 | 1 | | | |
| 12- 7 | O-RING P10A | 24311-240100 | 1 | 1 | 10 | | |
| 12- 8 | LOCK SCREW, cock handle | 104200-55750 | 1 | 1 | 10 | | |
| 12- 9 | ELEMENT, fuel strainer | 104500-55710 | 1 | 1 | | | |
| 12- 10 | BOWL, fuel strainer | 104500-55510 | 1 | 1 | | | |
| | BOWL, fuel strainer | 124064-55510 | 1 | 1 | N | | |
| 12- 11 | RETAINER, strainer element | 110250-55610 | 1 | 1 | | | |
| 12- 12 | O-RING, fuel strainer cover | 102103-55520 | 1 | 1 | | | |
| 12- 13 | BOLT M8 x 70, plated | 26116-080702 | 1 | 1 | 10 | | |
| | BOLT M8 x 60 | 26106-080602 | 1 | 1 | 10 | N | |
| 12- 14 | SPRING WASHER 8 | 22217-080000 | 1 | 1 | 10 | | |
| 12- 15 | WASHER 8, plain | 22137-080000 | 1 | 1 | 10 | | |
| 12- 16 | PIPE, fuel injection, No. 1 cylinder | 124060-59801 | 1 | 1 | | | |
| 12- 17 | PIPE, fuel injection, No. 2 cylinder | 124060-59811 | 1 | 1 | | | |
| 12- 18 | CLAMP, fuel injection pipe | 124060-59900 | 2 | 2 | | | |
| 12- 19 | NUT M6 | 26716-060002 | 1 | 1 | 10 | | |

12. FUEL OIL SYSTEM

M E M O

| Refer. No. | Description | Part No. | Qty/Unit | | Inter-change-ability | Design-change Mark | Remarks |
|------------|---|--------------|------------|-------|----------------------|--------------------|---------|
| | | | 2TR13A | 2TT3A | | | |
| | | | Sales Unit | | | | |
| 12- 20 | SCREW M6 x 12, plated | 26557-060122 | 1 | 1 | 10 | | |
| | PIPE ASS'Y | 124060-59012 | 1 | 1 | 10 | N | |
| 12- 21 | SPRING, fuel oil pipe | 124060-59101 | 1 | 1 | | | |
| 12- 22 | PIPE, fuel oil (strainer injection pump) | 124160-59080 | 1 | 1 | | | |
| 12- 23 | JOINT, swivel pipe | 124250-59260 | 1 | 1 | | | |
| | JOINT, swivel pipe | 101304-59020 | 1 | 1 | | N | |
| 12- 24 | CLAMP, pump side | 124460-59050 | 1 | 1 | 10 | | |
| | CLAMP, pump side | 124766-59050 | 1 | 1 | 10 | N | |
| 12- 25 | CLAMP, strainer side | 124460-59060 | 1 | 1 | 10 | | |
| | CLAMP, strainer side | 124766-59050 | 1 | 1 | 10 | N | |
| | BOLT ASS'Y | 103854-59191 | 1 | 1 | 10 | N | |
| 12- 26 | PLUG, air venting | 124060-59380 | 1 | 1 | 10 | | |
| 12- 27 | BOLT, pipe joint | 124060-59391 | 1 | 1 | 10 | | |
| 12- 28 | SEAL WASHER 6, air venting plug | 43400-500390 | 1 | 1 | 10 | | |
| 12- 29 | PACKING 12, copper | 104200-59170 | 2 | 2 | 10 | | |
| 12- 30 | PIPE, fuel return | 124160-59500 | 1 | 1 | | | |
| 12- 31 | BOLT, swivel pipe joint | 101147-59810 | 2 | 2 | | | |
| 12- 32 | PACKING 8, copper | 234140-80000 | 4 | 4 | 10 | | |
| | PACKING 8, copper | 23414-080012 | 4 | 4 | 10 | N | |
| 12- 33 | SPACER, strainer | 124060-61130 | 1 | 1 | | | |

13. GOVERNOR SYSTEM



13. GOVERNOR SYSTEM

| Refer. No. | Description | Part No. | Qty/Unit | | Inter-changeability | Design-change Mark | Remarks |
|------------|-------------------------------------|----------------------------------|--------------|--------------|---------------------|--------------------|---|
| | | | 2TR13A | 2T73A | | | |
| | SUPPORT ASS'Y, governor weight | 724060-61520 | 1 | 1 | | | Inc. 13-1 4 |
| 13- 1 | WEIGHT, governor | 104200-61200 | 2 | 2 | | | |
| 13- 2 | PIN, governor weight 6d-31L | f04200-61220 | 2 | 2 | | | |
| | PIN, (Caulking type) 6d-26.5L | 172200-61220 | 2 | 2 | S | | 2TR13A: E/#22010 2T73A: E/#80953 2TR13A: E/#22010 |
| 13- 3 | COTTER PIN 2 x 20 | 22417-200200 | 4 | 4 | 10 | Z | |
| 13- 4 | SUPPORT, governor weight | 124060-61110 | 1 | 1 | | | |
| 13- 5 | GUIDE, sleeve | 124060-61100 | 1 | 1 | | | |
| 13- 6 | SLLEEVE, governor | 124060-61100 | 1 | 1 | | | Misprint |
| | SLLEEVE, governor | 124060-61600 | 1 | 1 | | | |
| 13- 7 | BOLT M6 x 10 | 26116-060109 | 2 | 2 | 10 | | |
| | BOLT M6 x 10 | 26106-060102 | 2 | 2 | 10 | N | |
| 13- 8 | 1st LEVER | 124060-61500 66150 | 1 | 1 | | | Misprint |
| | 1st LEVER | 124060-61501 | 1 | 1 | F | | \$ |
| 13- 9 | SHAFT, 1st lever | 124060-61610 | 1 | 1 | | | |
| 13- 10 | STEEL BALL 9/32 | 24190-090001 | 1 | 1 | 10 | | |
| 13- 11 | SEAL WASHER 10 | 43400-500430 | 2 | 2 | 10 | | |
| 13- 12 | CAP NUT M10, plated | 26667-100002 | 1 | 1 | 10 | | |
| | CONTROLLER ASS'Y, | 124060-66550 | 1 | 1 | | | Inc. 13-13 16 |
| | CAP NUT M10 | 124060-66950 | 1 | 1 | | N | |
| | fuel injection | | | | | | |
| | CONTROLLER ASS'Y, | 124060-66551 | 1 | 1 | | S | 2TR13A: E/#22766 2T73A: E/#81123 |
| | fuel injection | | | | | | |
| 13- 13 | SPRING BODY, fuel injection control | 124060-66560 | 1 | 1 | | | |
| 13- 14 | SPRING, fuel injection control | 124060-66580 | 1 | 1 | | | |
| 13- 15 | WASHER, fuel injection control | 124060-66590 | 1 | 1 | 10 | | |
| 13- 16 | PIN, fuel injection control | 124060-66570 | 1 | 1 | | | |
| | PIN, fuel injection control | 124060-66571 | 1 | 1 | | S | 2TR13A: E/#22766 2T73A: E/#81123 |

Remarks:

\$: Interchangeable provided New Type 1st Lever (124060-61501) and Nut M8 (26716-080002) 1 pc. are replaced together.

13. GOVERNOR SYSTEM

MEMO

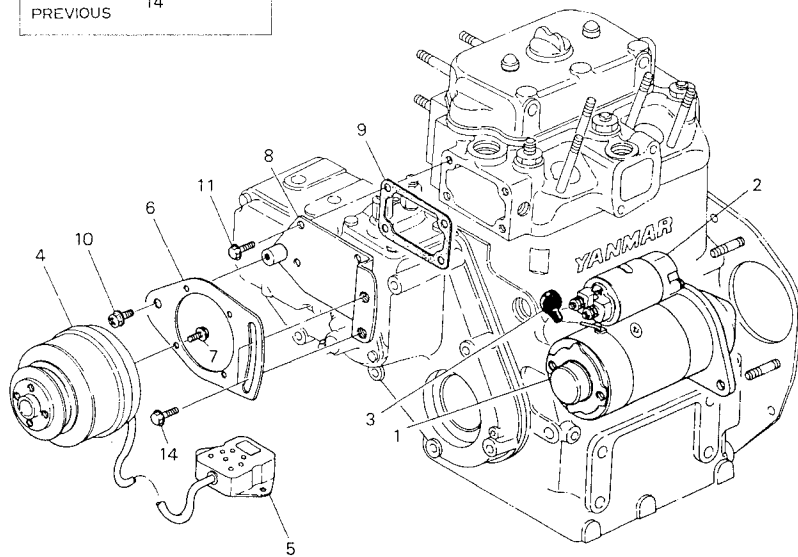
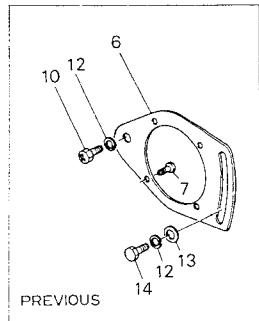
| Refer. No. | Description | Part No. | Q'sy/Unit | | Inter-change-ability | Design-change Mark | Remarks |
|------------|----------------------------|---|------------|-------|----------------------|--------------------|----------|
| | | | 2F713A | 2F73A | | | |
| | | | Sales Unit | | | | |
| 13- 17 | NUT M10 | 26716-100002 | 1 | 1 | | | |
| | LOCK NUT | 124064-66890 | 1 | 1 | N | [4] | |
| 13- 18 | SPRING WASHER 4 | 22217-040000 | 2 | 2 | 10 | | |
| 13- 19 | BOLT M4 x 10 | 26116-040102 | 2 | 2 | 10 | | |
| 13- 20 | 2nd LEVER, governor | 124060-66150 724060-61650 | 1 | 1 | | | Misprint |
| 13- 21 | SPRING, regulator | 124060-66010 | 1 | 1 | | | |
| | HANDLE ASS'Y, regulator | 724060-66531 | 1 | 1 | S | | |
| 13- 22 | LEVER, regulator | 124060-66090 | 1 | 1 | | | |
| | LEVER, regulator | 124060-66070 | 1 | 1 | S | | |
| 13- 23 | HANDLE, regulator | 124060-66060 | 1 | 1 | | | |
| 13- 24 | SHAFT, regulator handle | 124060-66040 | 1 | 1 | Z | | |
| 13- 25 | BOLT, regulator | 103854-66420 | 1 | 1 | | | Misprint |
| | handle adjusting | | | | | | |
| | BOLT, regulator | 103854-66420 | 1 | 1 | | | |
| | handle adjusting | | | | | | |
| 13- 26 | LOCK NUT, adjusting bolt | 124240-66371 | 1 | 1 | | | |
| 13- 27 | TAPER PIN 3 x 18 | 22322-030180 | 1 | 1 | 10 | | |
| 13- 28 | TAPER PIN 3 x 16 | 22322-030160 | 2 | 2 | 10 | | |
| | TAPER PIN 3 x 16 | 22322-030160 | 1 | 1 | 10 | K | |
| 13- 29 | O-RING 5-P | 24311-000050 | 2 | 2 | 10 | | |
| 13- 30 | LEAD, sealing | 135210-61090 | 2 | 2 | | K [4] | |
| 13- 31 | WIRE 0.6 | 22451-060000 | 1 | 1 | 10 | | |
| 13- 32 | GEAR, governor | 124060-61120 | 1 | 1 | | | |
| 13- 33 | WASHER, gear | 124060-61130 | 1 | 1 | | | |
| 13- 34 | NUT, governor gear | 124060-61550 | 1 | 1 | | | |
| | NUT M8 | 26716-080002 | 1 | 1 | F | \$ | |
| 13- 35 | SPRING WASHER 8 | 22217-080000 | 1 | 1 | 10 | | |
| 13- 36 | WIRE 1.0 | 22451-100000 | 1 | 1 | 1- | W [4] | |
| | WIRE 0.6 | 22451-060000 | 1 | 1 | | S | |

Remarks:

\$: Interchangeable provided New Type 1st Lever (124060-61501) and Nut M8 (26716-080002) 1 pc. are replaced together.

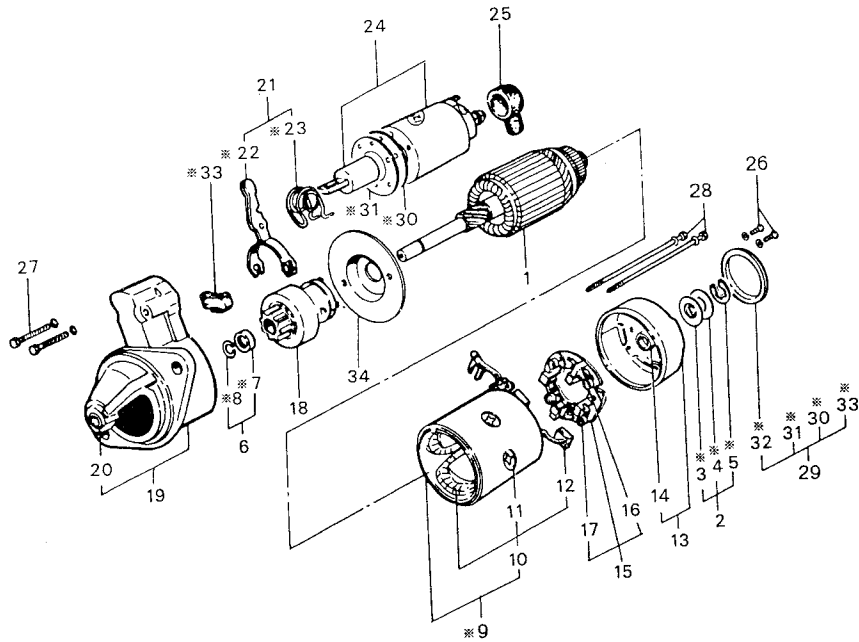
14. ELECTRIC STARTING SYSTEM

14. ELECTRIC STARTING SYSTEM



| Refer. No. | Description | Part No. | Qty/Unit | | Inter-change-ability | Design-change Mark | Remarks |
|------------|------------------------------|--------------|----------|-------------------|----------------------|--------------------|-----------------------------------|
| | | | 2TR13A | 2TR13A Sales Unit | | | |
| 14- 1 | MOTOR (1.0kW), starting | 124060-77010 | 1 | 1 | | | |
| | MOTOR (1.2kW), starting | 124060-77011 | 1 | 1 | N | | \$ 2TR13A: E/#12618 |
| 14- 2 | SWITCH, magnet | 124060-77300 | 1 | 1 | | | |
| 14- 3 | COVER, terminal to starter | 124160-77020 | 1 | 1 | | | |
| 14- 4 | GENERATOR (8A), charging | 124064-77200 | 1 | 1 | | | |
| | GENERATOR (8.5A), charging | 124660-77990 | 1 | 1 | N | | 2TR13A: E/#15101 (From Nov. 1976) |
| 14- 5 | LIMITER, current | 124064-77710 | 1 | 1 | | | |
| | LIMITER (14.5V), current | 124660-77710 | 1 | 1 | N | | 2TR13A: E/#15101 (From Nov. 1976) |
| 14- 6 | FITTINGS, charging generator | 124060-77110 | 1 | 1 | | | |
| 14- 7 | BOLT M6 x 12 | 26117-060122 | 4 | 4 | | | |
| | BOLT M6 x 12 | 26116-060122 | 4 | 4 | 10 | N | |
| | BOLT M6 x 16 | 26106-060162 | 4 | 4 | 10 | N | |
| 14- 8 | BRACKET, generator | 124060-77151 | 1 | 1 | | | |
| 14- 9 | PACKING, bracket | 124060-77170 | 1 | 1 | 10 | | |
| | PACKING, bracket | 124060-77171 | 1 | 1 | 10 | N | |
| 14- 10 | BOLT M8 x 16, plated | 26116-080169 | 1 | 1 | 10 | | |
| | BOLT M8 x 12 | 26106-080122 | 1 | 1 | 10 | N | |
| 14- 11 | BOLT M8 x 14, plated | 26117-080142 | 4 | 4 | | | |
| | BOLT M8 x 14, plated | 26116-080142 | 4 | 4 | 10 | N | |
| | BOLT M8 x 16 | 26116-080162 | 4 | 4 | 10 | N | |
| | BOLT M8 x 16 | 26106-080162 | 4 | 4 | 10 | N | |
| 14- 12 | SPRING WASHER 8 | 22217-080000 | 7 | 7 | 10 | | |
| 14- 13 | WASHER 8, plain | 22137-080000 | 2 | 2 | 10 | | |
| 14- 14 | BOLT M8 x 25 | 26117-080252 | 2 | 2 | | | |
| | BOLT M8 x 25 | 26116-080252 | 2 | 2 | 10 | N | |
| | BOLT M8 x 20 | 26106-080202 | 2 | 2 | 10 | N | |

15. STARTING MOTOR (Maker: HITACHI)



*MARK PARTS: NOT SOLD SEPARATELY.

15. STARTING MOTOR (Maker: HITACHI)

| Refer. No. | Description | Part No. | Q'ty/Unit | | Inter-changeability | Design-change Mark | Remarks |
|------------|---------------------------|------------------------------|-----------|-------|---------------------|--------------------|----------------------|
| | | | 2TR13A | 2T73A | | | |
| | STARTING MOTOR (S144-203) | 124060-77010 | 1 | 1 | | | |
| | STARTING MOTOR (S114-219) | 124060-77011 | 1 | 1 | N | | \$ |
| 15- 1 | ARMATURE ASS'Y | X211421002 (947704-49221) | 1 | 1 | | | |
| | ARMATURE ASS'Y | X211491001 (947704-49229) | 1 | 1 | S | | \$ |
| 15- 2 | WASHER KIT, thrust | X21148110 (947704-47026) | 1 | 1 | 10 | | Inc. 15-3 5 |
| 15- 3 | WASHER (B) | * | 3 | 3 | * | | Not Sold Separately. |
| 15- 4 | WASHER (C) | * | 1 | 1 | * | | Not Sold Separately. |
| 15- 5 | E-RING | * | 1 | 1 | * | | Not Sold Separately. |
| 15- 6 | STOPPER SET, pinion | X22147155 (947704-47027) | 1 | 1 | 5 | | Inc. 15-7, 8 |
| 15- 7 | STOPPER, pinion | * | 1 | 1 | * | | Not Sold Separately. |
| 15- 8 | CIRCLIP, pinion | * | 1 | 1 | * | | Not Sold Separately. |
| 15- 9 | YOKE ASS'Y | * | 1 | 1 | * | | |
| 15- 10 | COIL ASS'Y, field | X211462001 (947704-47042) | 1 | 1 | | | Inc. 15-11, 12 |
| | COIL ASS'Y, field | X211432001 (947844-70600) | 1 | 1 | S | | \$ Inc. 15-11, 12 |
| 15- 11 | SCREW, pole core | X21148215 (947704-47043) | 4 | 4 | 10 | | |
| | SCREW, pole core | X21147215 (947844-70290) | 4 | 4 | 10 | S | \$ |

Remarks:

\$-marked parts: STARTING MOTOR was changed in Type from S114-203 to S114-219, effective from Sept. 1976 for 2TR13A and from Oct 1976 for 2T73A.

Interchangeable between: Old Type and New Type by STARTING MOTOR ASS'Y. However, some component parts of Old Type (S114-203) and new Type (S114-219) are not interchangeable. Consequently, when ordering individual parts, confirm of Type of STARTING MOTOR with LABEL provided to the article in question.

Beside, parts supply for STARTING MOTOR ASS'Y shall be operated with New Type (S114-219) in the future to replace the motor of Old Type engine with New Type Motor; thus pay much attention to this regard in your parts ordering.

15. STARTING MOTOR (Maker: HITACHI)

| Refer. No. | Description | Part No. | Qty/Unit | | Inter-changeability | Design-change Mark | Remarks |
|------------|---------------------|------------------------------|----------|-------|---------------------|--------------------|----------------------|
| | | | 2TR13A | 2T73A | | | |
| 15- 12 | BRUSH (+) | X21145312 (947704-47003) | 2 | 2 | 10 | | |
| 15- 13 | COVER ASS'Y, rear | X211443001 (947704-47044) | 1 | 1 | | [4] | Inc. 15-14 |
| | COVER ASS'Y, rear | X211453002 | 1 | 1 | S | [4] | \$ Inc. 15-14 |
| 15- 14 | BUSH, rear cover | X21145352 (947704-47031) | 1 | 1 | 10 | | |
| 15- 15 | HOLDER ASS'Y, brush | X21141360 (947704-47032) | 1 | 1 | | | Inc. 15-16, 17 |
| 15- 16 | BRUSH (-) | X21145313 (947704-47004) | 2 | 2 | 10 | | |
| 15- 17 | SPRING, brush | X21144314 (947704-41296) | 4 | 4 | 10 | | |
| 15- 18 | PINION ASS'Y | X211455003 (947704-49307) | 1 | 1 | | | |
| 15- 19 | CASE ASS'Y, gear | X211456005 (947704-49307) | 1 | 1 | | | Inc. 15-20 |
| | CASE ASS'Y, gear | X211416007 | 1 | 1 | S | [4] | \$ Inc. 15-20 |
| 15- 20 | BUSH | X21144661 (947704-47035) | 1 | 1 | 10 | | |
| 15- 21 | LEVER SET, shift | X211426011 (947704047045) | 1 | 1 | | | Inc. 15-22, 23 |
| | LEVER SET, shift | X21148652 (947844-70370) | 1 | 1 | S | [4] | \$ Inc. 15-22, 23 |
| 15- 22 | LEVER, shift | * | 1 | 1 | * | | Not Sold Separately. |
| 15- 23 | SPRING torsion | * | 1 | 1 | * | | Not Sold Separately. |

Remarks:

\$-marked parts: STARTING MOTOR was changed in Type from S114-203 to S114-219, effective from Sept. 1976 for 2TR13A and from Oct 1976 for 2T73A.

Interchangeable between: Old Type and New Type by STARTING MOTOR ASS'Y. However, some component parts of Old Type (S114-203) and new Type (S114-219) are not interchangeable. Consequently, when ordering individual parts, confirm of Type of STARTING MOTOR with LABEL provided to the article in question.

Beside, parts supply for STARTING MOTOR ASS'Y shall be operated with New Type (S114-219) in the future to replace the motor of Old Type engine with New Type Motor; thus pay much attention to this regard in your parts ordering.

15. STARTING MOTOR (Maker: HITACHI)

| Refer. No. | Description | Part No. | Qty/Unit | | Inter-changeability | Design-change Mark | Remarks |
|------------|------------------------|---|----------|-------|---------------------|--------------------|----------------------|
| | | | 2TR13A | 2T73A | | | |
| 15- 24 | SWITCH ASS'Y, magnetic | X211437002 (947704-49902) | 1 | 1 | | | |
| 15- 25 | COVER | X21142742 (947704-47024) | 1 | 1 | 10 | | |
| 15- 26 | SCREW M4 x 12 | 26557-040122 | 2 | 2 | 10 | | |
| 15- 27 | BOLT M6 x 32 | 26116-060322 | 2 | 2 | 10 | | |
| 15- 28 | BOLT | X21148854 (947704-47050) | 2 | 2 | | | |
| | BOLT | X21147854- X21146815 (947844-12240) | 2 | 2 | S | | \$ Misprint |
| 15- 29 | COVER KIT, dust | X21143963 (947704-47036) | 1 | 1 | 10 | | Inc. 15-30 33 |
| 15- 30 | COVER (A), dust | * | 1 | 1 | * | | Not Sold Separately. |
| 15- 31 | COVER (B), dust | * | 1 | 1 | * | | Not Sold Separately. |
| 15- 32 | COVER (C), dust | * | 1 | 1 | * | | Not Sold Separately. |
| 15- 33 | COVER (D), dust | * | 1 | 1 | * | | Not Sold Separately. |
| 15- 34 | PLATE, center | X21143454 (947844-70730) | 1 | 1 | | W | \$ |

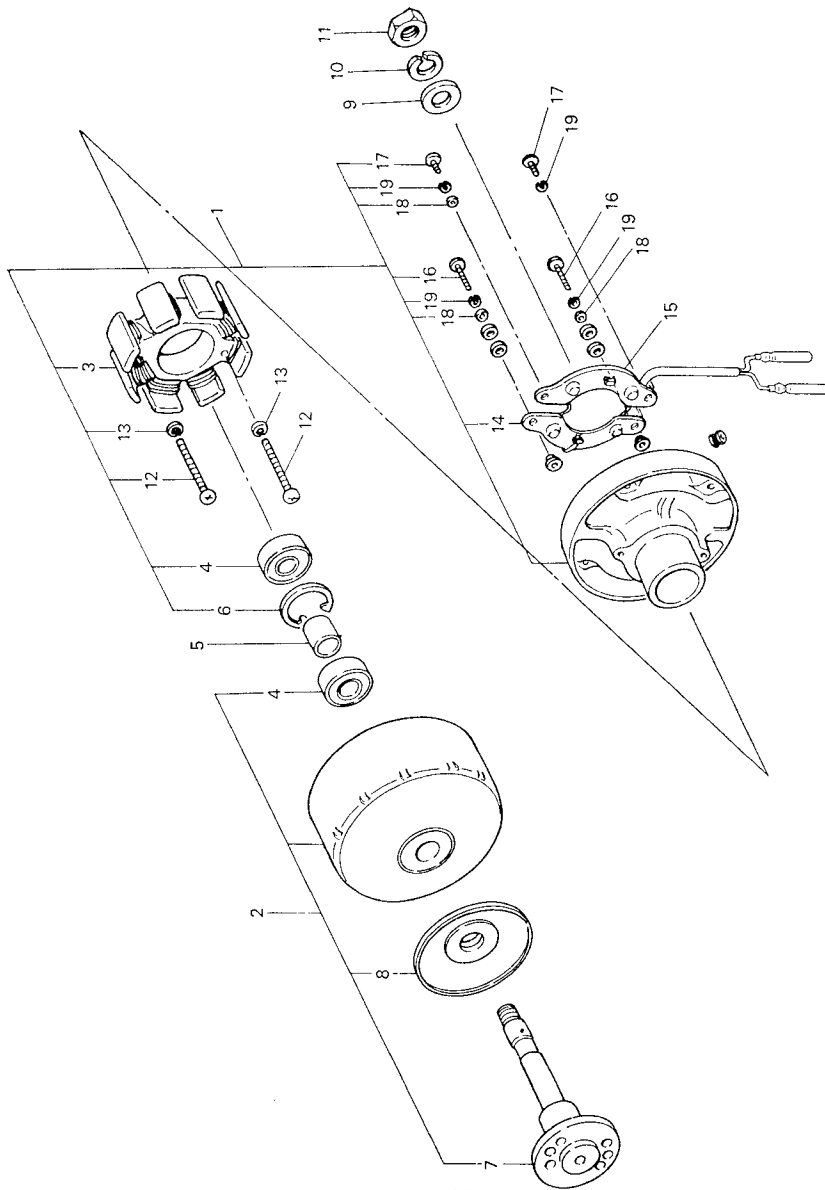
Remarks:

\$-marked parts: STARTING MOTOR was changed in Type from S114-203 to S114-219, effective from Sept. 1976 for 2TR13A and from Oct 1976 for 2T73A.

Interchangeable between: Old Type and New Type by STARTING MOTOR ASS'Y. However, some component parts of Old Type (S114-203) and new Type (S114-219) are not interchangeable. Consequently, when ordering individual parts, confirm of Type of STARTING MOTOR with LABEL provided to the article in question.

Beside, parts supply for STARTING MOTOR ASS'Y shall be operated with New Type (S114-219) in the future to replace the motor of Old Type engine with New Type Motor; thus pay much attention to this regard in your parts ordering.

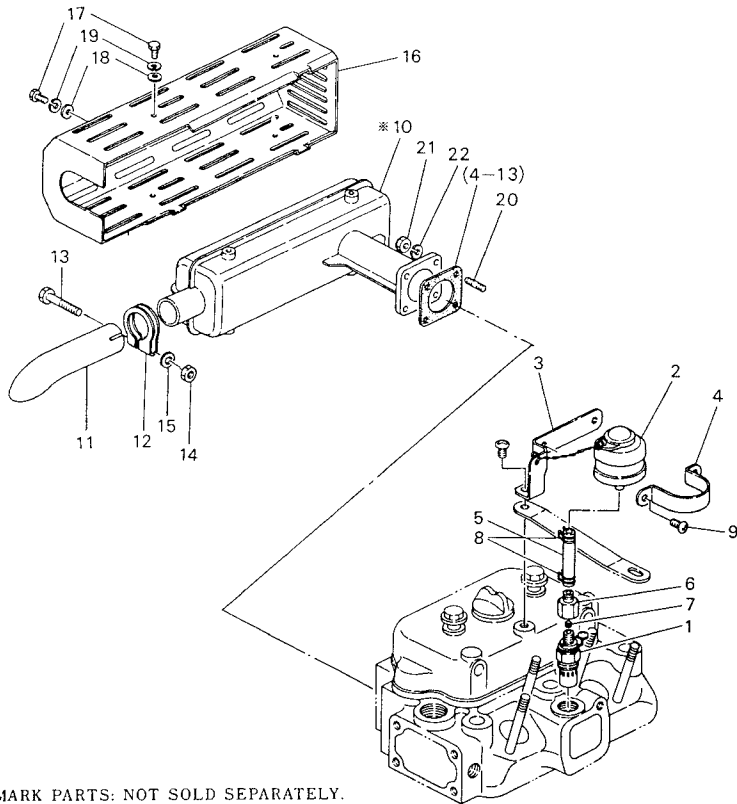
16. GENERATOR (Maker: KOKUSAN)



16. GENERATOR (Maker: KOKUSAN)

| Refer. No. | Description | Part No. | Qty/Unit | | Sales Unit | Inter-changeability | Design-change Mark | Remarks |
|------------|-----------------------|--------------------|----------|-------|------------|---------------------|--------------------|--|
| | | | 2TR13A | 2T73A | | | | |
| 16- 1 | GENERATOR | 124064-77200 | 1 | 1 | | | | Inc. 16-1 19 |
| | GENERATOR | 124660-77900 | 1 | 1 | | N | | Inc. 16-1 19 |
| | PLATE ASS'Y | 942701-41407 | 1 | 1 | | | | Inc. 16-3, 4, 5, 12 19, 16- 2 |
| | MAGNET WHEEL ASS'Y | 942741-42299 | 1 | 1 | | | | Inc. 16-4, 7, 8. |
| | MAGNET WHEEL ASS'Y | 94270M-42875-42788 | 1 | 1 | | N | | Misprint |
| | CORE ASS'Y | 942131-41410 | 1 | 1 | | | | |
| 16- 4 | BEARING #6201Z | 942141-86124 | 2 | 2 | | | | |
| 16- 5 | SPACER | 942151-32093 | 1 | 1 | | | | |
| 16- 6 | CIRCLIP | 942151-86024 | 1 | 1 | 10 | | | Up to E/# 2TR13A: 02444 2T73A: 00478 |
| 16- 7 | SHAFT | (42141042303 | 1 | 1 | | | | |
| 16- 8 | V-PULLEY | 942141-42306 | 1 | 1 | | | | |
| 16- 9 | WASHER | (42151-86025 | 1 | 1 | 10 | | | |
| 16- 10 | SPRING WASHER | (42151-21923 | 1 | 1 | 10 | | | |
| 16- 11 | NUT | 942151-86372 | 1 | 1 | 10 | | | |
| 16- 12 | SCREW M4 x 20 | 26557-040202 | 2 | 2 | 10 | | | |
| 16- 13 | SPRING WASHER 4 | 22217-040000 | 2 | 2 | 10 | | | |
| 16- 14 | CONTROL UNIT (A), (+) | 942141-41416 | 1 | 1 | | | | |
| 16- 15 | CONTROL UNIT (B), (-) | 942141-41417 | 1 | 1 | | | | |
| 16- 16 | SCREW M4 x 15 | 26557-040152 | 2 | 2 | 10 | | | |
| 16- 17 | SCREW M4 x 8 | 26557-040082 | 2 | 2 | 10 | | | |
| 16- 18 | WASHER 4 | 22137-040000 | 3 | 3 | 10 | | | |
| 16- 19 | SPRING WASHER 4 | 22217-040000 | 4 | 4 | 10 | | | |

17. THERMOSTARTING EQUIPMENT & SILENCER (OPTIONAL)



Refer to page 189.

17. THERMOSTARTING EQUIPMENT & SILENCER (OPTIONAL)

| Refer. No. | Description | Part No. | Qty/Unit | | Interchangeability | Design-change Mark | Remarks |
|------------|----------------------------|------------------------------------|----------|-------|--------------------|--------------------|----------------------|
| | | | 2173A | 2173A | | | |
| 17- 1 | PLUG, thermostart | 124450-77910 | 1 | 1 | | | |
| | PLUG, thermostart | 121023-77910 | 1 | 1 | F | | \$ |
| 17- 2 | TANK ASS'Y, header | 124060-77802 124460- | 1 | 1 | | | Misprint |
| 17- 3 | SET PIECE (A), header tank | 124060-77811 | 1 | 1 | | | |
| 17- 4 | SET PIECE (B), header tank | 124460-77820 | 1 | 1 | | | |
| 17- 5 | PIPE, fuel oil | 124060-77700 | 1 | 1 | | | |
| | PIPE, fuel oil | 124160-77701 | 1 | 1 | S | | \$ |
| 17- 6 | JOINT, fuel oil pipe | 124460-77660 | 1 | 1 | | | |
| 17- 7 | CONNECTOR | 124450-77980 | 1 | 1 | Z | | \$ |
| 17- 8 | CLAMP, fuel oil pipe | 124060-77680 | 2 | 2 | | | |
| 17- 9 | SCREW M6 x 8 | 26557-060082 | 2 | 2 | 10 | | |
| | SILENCER ASS'Y, exhaust | 724660-13700 | 1 | | | | |
| 17- 10 | BODY, silencer | * | 1 | | | | Not Sold Separately. |
| 17- 11 | PIPE, silencer | 124660-13520 | 1 | | | | |
| | PIPE, silencer | 124664-13520 | 1 | | S | | E |
| 17- 12 | CLAMP | 124660-13530 | 1 | | | | |
| | CLAMP | 124664-13580 | 1 | | S | | E |
| 17- 13 | BOLT M10 x 50 | 26116-100502 | 1 | 10 | | | |
| | BOLT M8 x 60 | 26116-080602 | 1 | 10 | S | | E |
| 17- 14 | NUT M10 | 26716-100002 | 1 | 10 | | | |
| | NUT M8 | 26716-080002 | 1 | 10 | S | | E |
| 17- 15 | SPRING WASHER 10 | 22217-100000 | 1 | 10 | | | |
| | SPRING WASHER 8 | 22217-080000 | 1 | 10 | S | | E |

Remarks:

\$-marked parts: Changed in June 1979. Interchangeable provided New Type PIPE (P/#124160-77701) is replaced together to the original type.

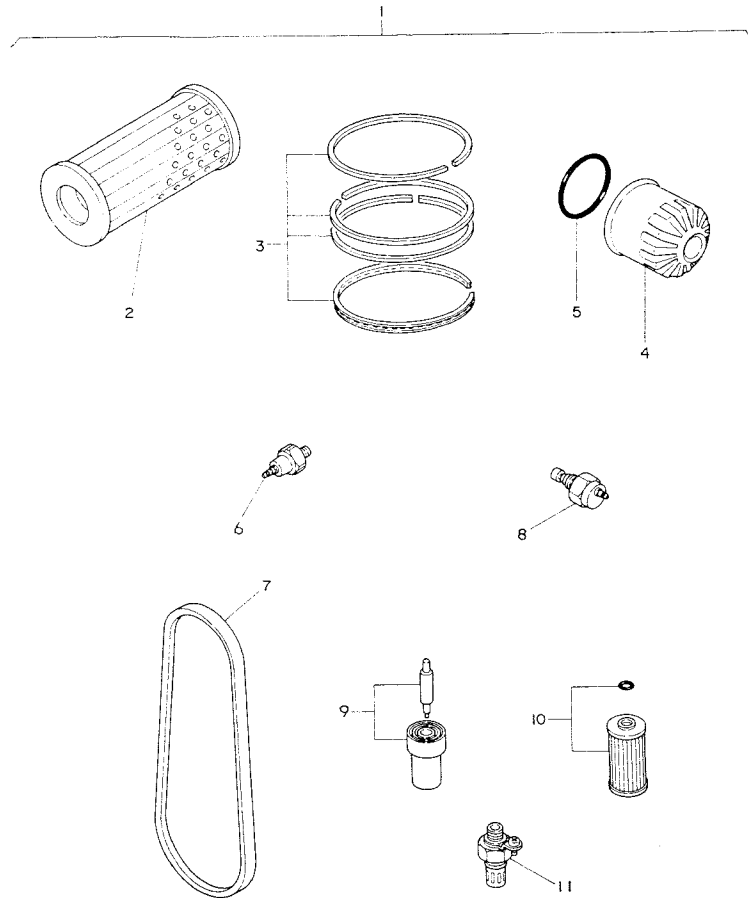
E-marked parts: Changed in Oct., 1977. Interchangeable provided E-marked parts (4 items) are replaced together to with the original type. Change effective engine serial number: From E/#22344.

17. THERMOSTARTING EQUIPMENT & SILENCER (OPTIONAL)

M E M O

| Refer. No. | Description | Part No. | Qty/Unit | | Inter-change-ability | Design-change Mark | Remarks |
|------------|-----------------|--------------|----------|-------|----------------------|--------------------|---------|
| | | | 2TR13A | 2TT3A | | | |
| 17- 16 | COVER, silencer | 124660-13540 | 1 | | | | |
| 17- 17 | BOLT M6 x 10 | 26116-060102 | 6 | 10 | | | |
| 17- 18 | WASHER 6 | 22137-060000 | 6 | 10 | | | |
| 17- 19 | SPRING WASHER 6 | 22217-060000 | 6 | 10 | | | |
| 17- 20 | STUD M8 x 20 | 26216-080202 | 4 | 10 | | | |
| 17- 21 | NUT M8 | 26716-080002 | 4 | 10 | | | |
| 17- 22 | SPRING WASHER 8 | 22217-080000 | 4 | 10 | | | |

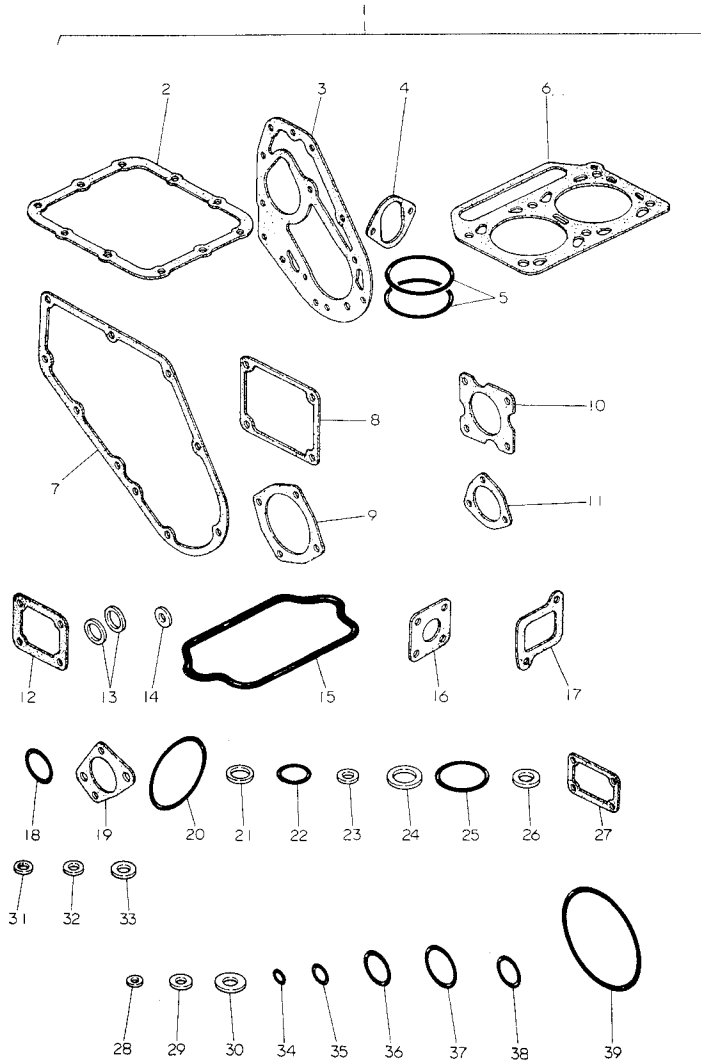
103. REPAIR KIT [FOR ENGINE]



103. REPAIR KIT [FOR ENGINE]

| Refer. No. | Description | Part No. | Qty/Unit | | Inter-change-ability | Design-change Mark | Remarks |
|------------|----------------------------|--------------|----------|-------|----------------------|--------------------|---------|
| | | | 27R13A | 27T3A | | | |
| 103- 1 | REPAIR KIT (A), engine | 724060-92501 | 1 | | | | |
| | REPAIR KIT (A), engine | 724664-92730 | | 1 | | | |
| 103- 2 | .ELEMENT, air cleaner | 124064-12510 | 1 | 1 | | | |
| 103- 3 | .RING SET, piston | 724066-22501 | 2 | | | | |
| | | 724660-22500 | | 2 | | | |
| 103- 4 | .STRAINER, lub. oil | 124450-35100 | 1 | 1 | | | |
| 103- 5 | .O-RING, lub. oil strainer | 124450-35110 | 1 | 1 | | | |
| 103- 6 | .SENDER, oil pressure | 124060-39451 | 1 | 1 | | | |
| 103- 7 | .V-BELT (A-28 inch) | 124064-42290 | 1 | 1 | | | |
| 103- 8 | .SENDER, temperature | 124450-44902 | 1 | 1 | | | |
| 103- 9 | .VALVE w/CASE | 124770-53000 | 2 | 2 | | | |
| 103-10 | .ELEMENT, fuel strainer | 104500-55710 | 1 | 1 | | | |
| 103-11 | .PLUG, thermostart | 121023-77910 | 1 | 1 | | | |

104. GASKET KIT [FOR ENGINE]



104. GASKET KIT [FOR ENGINE]

| Refer. No. | Description | Part No. | Q'ty/Unit | | Inter-changeability | Design-change Mark | Remarks |
|------------|----------------------------|--------------|-----------|-------|---------------------|--------------------|---------|
| | | | 2TR13A | 2T73A | | | |
| 104- 1 | GASKET KIT (A), engine | 724060-92600 | 1 | | | | |
| | GASKET KIT (A), engine | 724660-92600 | | 1 | | | |
| 104- 2 | .PACKING, cyl. lower cover | 124060-01741 | 1 | 1 | | | |
| | .PACKING, cyl. lower cover | 124060-01742 | 1 | 1 | N | | |
| 104- 3 | .PACKING, flange | 124060-01560 | 1 | 1 | | | |
| 104- 4 | .PACKING, bracket | 124060-34841 | 1 | 1 | | | |
| | .PACKING, bracket | 124060-34842 | 1 | 1 | N | | |
| 104- 5 | .PACKING, cyl. liner | 124060-01300 | 4 | 4 | | | |
| 104- 6 | .GASKET, cyl. head | 124060-01330 | 1 | | | | |
| | .GASKET, cyl. head | 124660-01330 | | 1 | | | |
| 104- 7 | .PACKING, gear case | 124060-01511 | 1 | 1 | | | |
| | .PACKING, gear case | 124060-01512 | 1 | 1 | N | | |
| 104- 8 | .PACKING, cover | 124060-01531 | 1 | 1 | | | |
| | .PACKING, cover | 124060-01532 | 1 | 1 | N | | |
| 104- 9 | .PACKING, bracket | 124060-26062 | 1 | 1 | | | |
| | .PACKING, bracket | 124060-26063 | 1 | 1 | N | | |
| 104-10 | .PACKING, oil pump | 124060-01882 | 1 | 1 | | | |
| | .PACKING, oil pump | 124060-01883 | 1 | 1 | N | | |
| 104-11 | .PACKING, gear unit | 124250-91411 | 1 | 1 | | | |
| | .PACKING, gear unit | 124250-91412 | 1 | 1 | N | | |
| 104-12 | .PACKING, side cover | 124250-11681 | 1 | 1 | | | |
| 104-13 | .PACKING, chamber | 101204-11450 | 4 | 4 | | | |
| | .PACKING, chamber | 101204-11452 | 4 | 4 | N | | |
| 104-14 | .INSULATOR | 103854-11490 | 2 | 2 | | | |
| 104-15 | .PACKING, bonnet | 124060-11311 | 1 | 1 | | | |

104. GASKET KIT [FOR ENGINE]

| Refer. No. | Description | Part No. | Qty/Unit | | Inter-change-ability | Design-change Mark | Remarks |
|------------|---------------------------|--------------|------------|-------|----------------------|--------------------|---------|
| | | | 2TR13A | 2TT3A | | | |
| | | | Sales Unit | | | | |
| 104-16 | .GASKET, silencer | 124450-11900 | 2 | 1 | | | |
| | .GASKET, silencer | 124450-11900 | 1 | 1 | K | | |
| | .GASKET, silencer | 124701-11910 | 1 | 1 | N | | |
| 104-17 | .PACKING, cleaner bracket | 124060-12030 | 1 | 1 | | | |
| 104-18 | .O-RING, lub. oil pump | 103338-32570 | 1 | 1 | | | |
| 104-19 | .PACKING, lub. oil pump | 124060-32091 | 1 | 1 | | | |
| | .PACKING, lub. oil pump | 124060-32092 | 1 | 1 | N | | |
| 104-20 | .O-RING, strainer | 124450-35110 | 1 | 1 | | | |
| 104-21 | .PACKING, plunger barrel | 174307-51270 | 2 | 2 | | | |
| 104-22 | .O-RING, holder | 124550-51370 | 2 | 2 | | | |
| 104-23 | .PACKING, delivery valve | 124550-51350 | 2 | 2 | | | |
| 104-24 | .PACKING, retainer | 172100-53200 | 2 | 2 | | | |
| 104-25 | .O-RING, fuel strainer | 102103-55520 | 1 | 1 | | | |
| 104-26 | .PACKING, pipe | 104200-59170 | 2 | 2 | | | |
| 104-27 | .PACKING, bracket | 124060-77170 | 1 | 1 | | | |
| | | 124060-77171 | 1 | 1 | N | | |
| 104-28 | .SEAL WASHER 6 | 43400-500390 | 1 | 1 | | | |
| 104-29 | .SEAL WASHER 8 | 43400-500410 | 2 | 2 | | | |
| 104-30 | .SEAL WASHER 10 | 43400-500430 | 2 | 2 | | | |
| 104-31 | .PACKING 8 | 23414-080000 | 7 | 7 | | | |
| 104-32 | .PACKING 12 | 23414-120000 | 7 | 5 | | | |
| 104-33 | .PACKING 16 | 23414-160000 | 1 | 1 | | | |
| | .PACKING 16 | 124465-44950 | 1 | 1 | N | | |

104. GASKET KIT [FOR ENGINE]

| Refer. No. | Description | Part No. | Qty/Unit | | Inter-change-ability | Design-change Mark | Remarks |
|------------|--------------|--------------|------------|-------|----------------------|--------------------|---------|
| | | | 2TR13A | 2TT3A | | | |
| | | | Sales Unit | | | | |
| 104-34 | .O-RING 5-P | 24311-000050 | 2 | 2 | | | |
| 104-35 | .O-RING 7-P | 24311-000070 | 2 | 2 | | | |
| 104-36 | .O-RING 12-P | 24311-000120 | 2 | 2 | | | |
| 104-37 | .O-RING 14-P | 24311-000140 | 1 | 1 | | | |
| 104-38 | .O-RING P10A | 24311-240100 | 1 | 1 | | | |
| 104-39 | .O-RING 35-G | 24321-000350 | 1 | 1 | | | |
| | .O-RING 35-P | 24311-000350 | 1 | 1 | S | | |

Fig. 18 ENGINE CONTROL (EXCEPT ENGLAND) [YM155, YM155D]

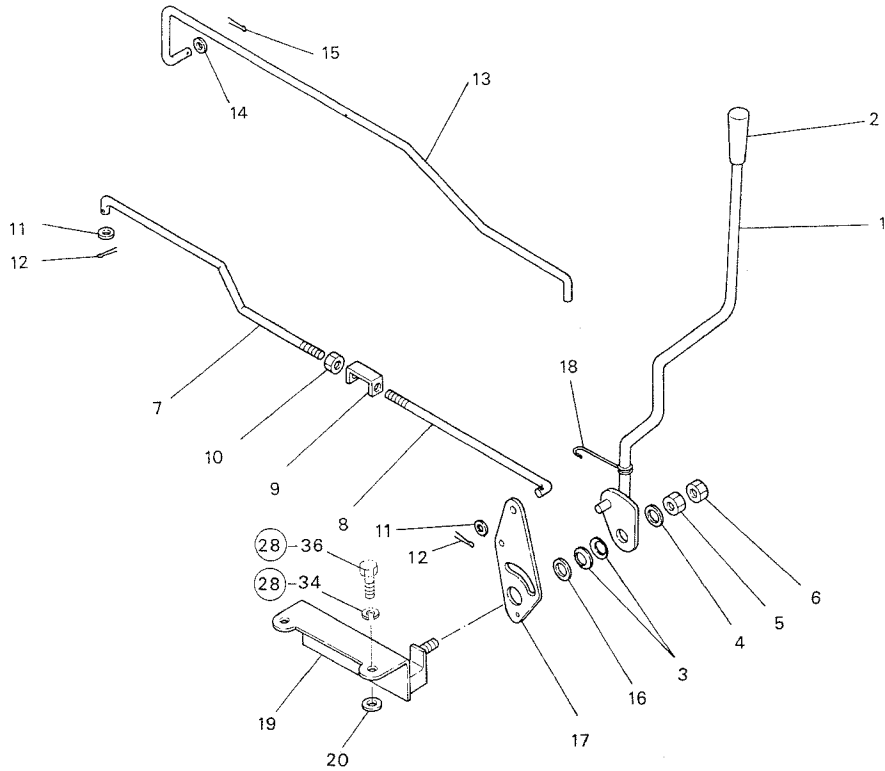


Fig. 18 ENGINE CONTROL (EXCEPT ENGLAND) [YM155, YM155D]

| Refer. No. | Description | Part No. | Q'ty/Unit | | | | Inter-changeability | Design change Mark | Remarks |
|------------|-----------------------|--------------|-----------|--------|-------|--------|---------------------|--------------------|---------|
| | | | YM155 | YM155D | YM135 | YM135D | | | |
| 18- 1 | LEVER, throttle | 194340-01100 | 1 | 1 | | | | | |
| 18- 2 | KNOB, throttle lever | 194150-01190 | 1 | 1 | | | | | |
| 18- 3 | SPRING 10, belleville | 194200-01150 | 2 | 2 | | 10 | | | |
| 18- 4 | WASHER 10, plain | 22117-100000 | 1 | 1 | | 10 | | | |
| | WASHER 10, plain | 22137-100000 | 1 | 1 | | 10 | N | | |
| 18- 5 | NUT M10 | 26716-100002 | 1 | 1 | | 10 | | | |
| 18- 6 | LOCK NUT M10 | 26756-100002 | 1 | 1 | | 10 | | | |
| 18- 7 | ROD (front), throttle | 194200-01172 | 1 | 1 | | | | | |
| 18- 8 | ROD (rear), throttle | 194349-01180 | 1 | 1 | | | | | |
| 18- 9 | ADJUSTER, throttle | 194200-01190 | 1 | 1 | | | | | |
| 18- 10 | NUT M8 | 26716-080002 | 1 | 1 | | 10 | | | |
| 18- 11 | WASHER 8, plain | 22117-080000 | 2 | 2 | | 10 | | | |
| 18- 12 | COTTER PIN 2 x 12 | 22417-200120 | 2 | 2 | | 10 | | | |
| 18- 13 | LEVER, decompression | 194200-01200 | 1 | 1 | | | | | |
| 18- 14 | WASHER 6, plain | 22117-060000 | 1 | 1 | | 10 | | | |
| 18- 15 | COTTER PIN 2 x 10 | 22417-200100 | 1 | 1 | | 10 | | | |
| 18- 16 | WASHER 10, plain | 22117-100000 | 1 | 1 | | 10 | | | |
| | WASHER 10, plain | 22137-100000 | 1 | 1 | | 10 | N | | |
| 18- 17 | PLATE, throttle arm | 194340-01650 | 1 | 1 | | | | | |
| 18- 18 | HOOK | 194340-01260 | 1 | 1 | | | W | [1] | |
| 18- 19 | SUPPORT, throttle | 194340-15530 | 1 | 1 | | | | | |
| 18- 20 | WASHER 10, plain | 22137-100000 | 2 | 2 | | 10 | | | |

Fig. 19 ENGINE CONTROL (ENGLAND) [YM155,YM155D]

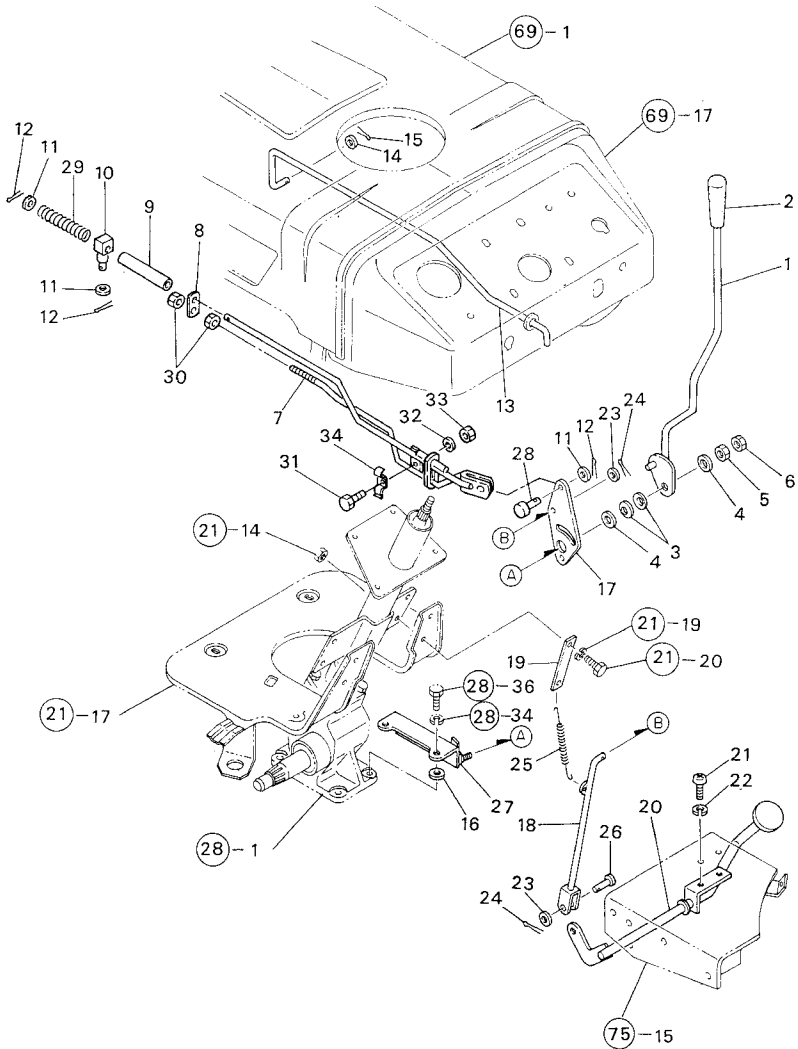


Fig. 19 ENGINE CONTROL (ENGLAND) [YM155,YM155D]

| Refer. No. | Description | Part No. | Qty./Unit | | | Inter-changeability | Design-change Mark | Remarks |
|------------|-----------------------|----------------|-----------|--------|-------|---------------------|--------------------|---------|
| | | | YM155 | YM155D | YM135 | | | |
| 19- 1 | LEVER, throttle | 194340-01100 | 1 | 1 | | | | |
| 19- 2 | KNOB, throttle lever | 194150-01190 | 1 | 1 | | | | |
| 19- 3 | SPRING 10, belleville | 194200-01150 | 2 | 2 | | 10 | | |
| 19- 4 | WASHER 10, plain | 22137-100000 | 2 | 2 | | 10 | | |
| 19- 5 | NUT M10 | 26716-100002 | 1 | 1 | | 10 | | |
| 19- 6 | LOCK NUT M10 | 26756-100002 | 1 | 1 | | 10 | | |
| 19- 7 | ROD, throttle | 194340-02210 | 1 | 1 | | | | |
| 19- 8 | HOOK, engine stop | 194340-02310 | 1 | 1 | | | | |
| 19- 9 | COLLAR | 194340-02320 | 1 | 1 | | | | |
| 19- 10 | SHIFTER | 194340-02330 | 1 | 1 | | | | |
| 19- 11 | WASHER 8, plain | 22117-080000 | 2 | 2 | | 10 | | |
| 19- 12 | COTTER PIN 2 x 12 | 22417-200120 | 2 | 2 | | 10 | | |
| 19- 13 | LEVER, decompression | 194200-01200 | 1 | 1 | | | | |
| 19- 14 | WASHER 6, plain | 22117-060000 | 1 | 1 | | 10 | | |
| 19- 15 | COTTER PIN 2 x 10 | 22417-200100 | 1 | 1 | | 10 | | |
| 19- 16 | WASHER 10, plain | 22117-100000 | 1 | 1 | | 10 | | |
| 19- 17 | PLATE, throttle arm | 194340-01650 | 1 | 1 | | | | |
| 19- 18 | ROD, throttle pedal | 194340-01660 | 1 | 1 | | | | |
| 19- 19 | HOOK, pedal spring | 194200-01710 | 1 | 1 | | | | |
| 19- 20 | PEDAL, throttle | 194200-01541-X | 1 | 1 | | | | |

Fig. 19 ENGINE CONTROL (ENGLAND) [YM155, YM155D]

| Refer. No. | Description | Part No. | Qty/Unit | | | | Sales Unit | Inter-change ability | Design-change Mark | Remarks |
|------------|-------------------|--------------|----------|--------|-------|--------|------------|----------------------|--------------------|---------|
| | | | YM155 | YM155D | YM135 | YM135D | | | | |
| 19- 21 | SCREW M8 x 16 | 26557-080162 | 2 | 2 | | | 10 | | | |
| 19- 22 | SPRING WASHER 8 | 22217-080000 | 2 | 2 | | | 10 | | | |
| 19- 23 | WASHER 6 | 22137-060000 | 2 | 2 | | | 10 | | | |
| 19- 24 | COTTER PIN 2 x 10 | 22417-200100 | 2 | 2 | | | 10 | | | |
| 19- 25 | SPRING, pedal | 194200-01680 | 1 | 1 | | | | | | |
| 19- 26 | PIN 6 x 14 | 1A1030-55480 | 1 | 1 | | | | | | |
| 19- 27 | SUPPORT, throttle | 194340-15530 | 1 | 1 | | | | | | |
| 19- 28 | PIN 8 x 17.5 | 194200-37800 | 1 | 1 | | | | | | |
| 19- 29 | SPRING | 194340-02340 | 1 | 1 | | | | | | |
| 19- 30 | NUT M8 | 26716-080002 | 2 | 2 | | | 10 | | | |
| 19- 31 | BOLT M6 x 12 | 26116-060122 | 1 | 1 | | | 10 | | | |
| 19- 32 | SPRING WASHER 6 | 22217-060000 | 1 | 1 | | | 10 | | | |
| 19- 33 | NUT M6 | 26716-060002 | 1 | 1 | | | 10 | | | |
| 19- 34 | HOLDER, rod | 194340-02390 | 1 | 1 | | | | | | |

Fig. 20 ENGINE CONTROL (YM135,YM135D]

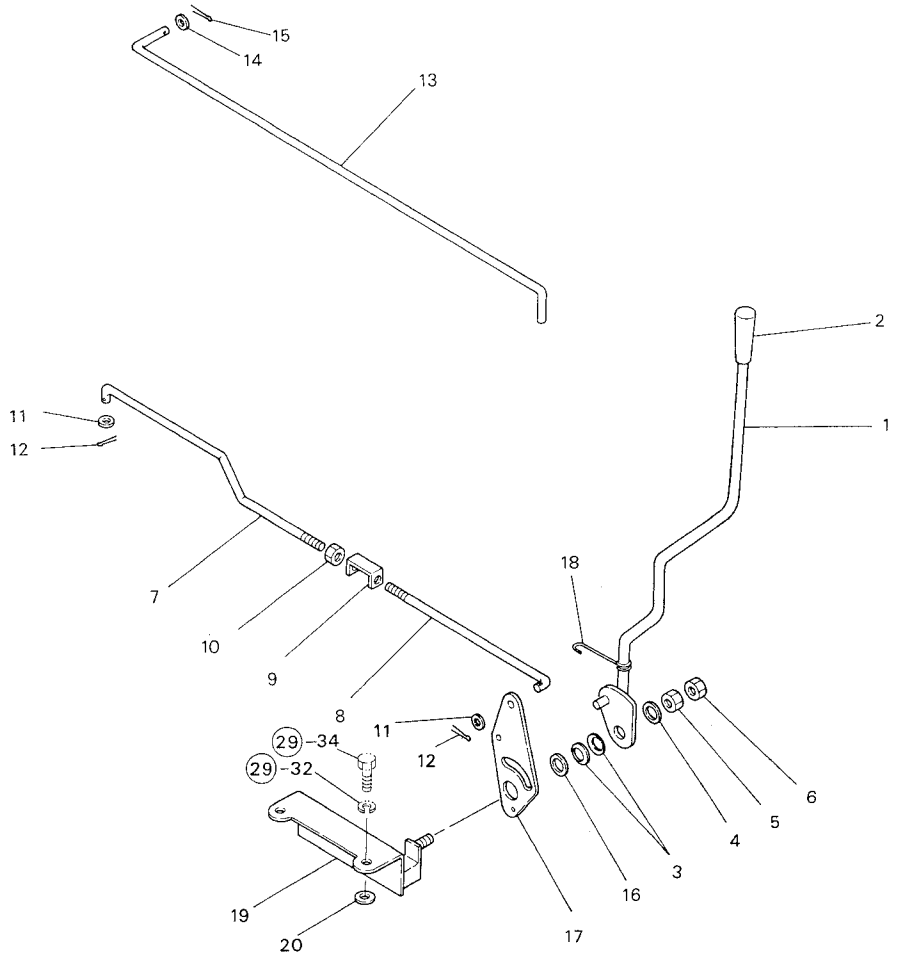


Fig. 20 ENGINE CONTROL (YM135,YM135D]

| Refer. No. | Description | Part No. | Qty/Unit | | | Sales Unit | Inter-changeability | Design-change Mark | Remarks |
|------------|-----------------------|--------------|----------|--------|-------|------------|---------------------|--------------------|---------|
| | | | YM135 | YM135D | YM135 | | | | |
| 20- 1 | LEVER, throttle | 194340-01100 | | | 1 | 1 | | | |
| 20- 2 | KNOB, throttle lever | 195150-01190 | | | 1 | 1 | | | |
| 20- 3 | SPRING 10, belleville | 194200-01150 | | | 2 | 2 | 10 | | |
| 20- 4 | WASHER 10, plain | 22117-100000 | | | 1 | 1 | 10 | | |
| | WASHER 10, plain | 22137-100000 | | | 1 | 1 | 10 | N | |
| 20- 5 | NUT M10 | 26716-100002 | | | 1 | 1 | 10 | | |
| 20- 6 | LOCK NUT M10 | 26756-100002 | | | 1 | 1 | 10 | | |
| 20- 7 | ROD (front), throttle | 194200-01172 | | | 1 | 1 | | | |
| 20- 8 | ROD (rear), throttle | 194349-01180 | | | 1 | 1 | | | |
| 20- 9 | ADJUSTER, throttle | 194200-01190 | | | 1 | 1 | | | |
| 20- 10 | NUT M8 | 26716-080002 | | | 1 | 1 | 10 | | |
| 20- 11 | WASHER 8, plain | 22117-080000 | | | 2 | 2 | 10 | | |
| 20- 12 | COTTER PIN 2 x 12 | 22417-200120 | | | 2 | 2 | 10 | | |
| 20- 13 | LEVER, decompression | 194262-01200 | | | 1 | 1 | | | |
| | LEVER, decompression | 194262-01201 | | | 1 | 1 | | N | |
| 20- 14 | WASHER 6, plain | 22117-060000 | | | 1 | 1 | 10 | | |
| 20- 15 | COTTER PIN 2 x 10 | 22417-200100 | | | 1 | 1 | 10 | | |
| 20- 16 | WASHER 10, plain | 22117-100000 | | | 1 | 1 | 10 | | |
| | WASHER 10, plain | 22137-100000 | | | 1 | 1 | 10 | N | |
| 20- 17 | PLATE, throttle arm | 194340-01650 | | | 1 | 1 | | | |
| 20- 18 | HOOK | 194340-01260 | | | 1 | 1 | | W | [1] |
| 20- 19 | SUPPORT, throttle | 194340-15530 | | | 1 | 1 | | | |
| 20- 20 | WASHER 10, plain | 22137-100000 | | | 2 | 2 | 10 | | |

Fig. 21 FUEL TANK [YM155,YM155D]

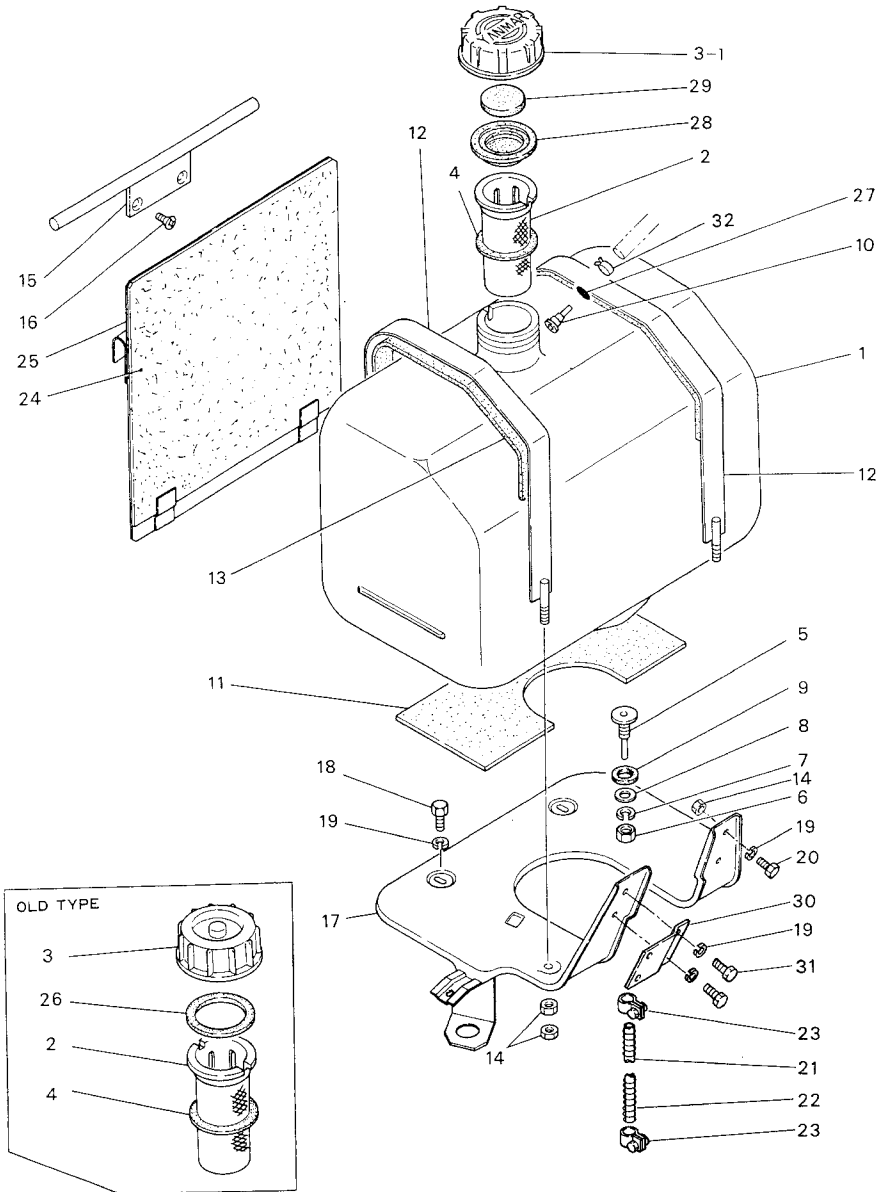


Fig. 21 FUEL TANK [YM155,YM155D]

| Refer. No. | Description | Part No. | Qty/Unit | | | Sales Unit | Interchangeability | Designation Mark | Remarks |
|------------|-------------------------|----------------|----------|--------|-------|------------|--------------------|--|---------|
| | | | YM155 | YM155D | YM135 | | | | |
| 21- 1 | FUEL OIL TANK | 194340-04100 | 1 | 1 | | | | | |
| | FUEL OIL TANK | 194340-04101 | 1 | 1 | | | N | YM155 -T/# 52260 YM155D-T/# 57524 | |
| 21- 2 | STRAINER, fuel oil tank | 194151-04140 | 1 | 1 | | | | | |
| | STRAINER, fuel oil tank | 194151-04141 | 1 | 1 | | | N | | |
| 21- 3 | CAP, fuel oil tank | 194151-04120 | 1 | 1 | | | | | |
| | CAP, fuel oil tank | 194150-04121 | 1 | 1 | | | N | [1] | |
| 21-3-1 | CAP, fuel oil tank | 194155-04720 | 1 | 1 | | | F | Interchangeable by set with 21-28 21-29 YM155 -T/# 52260 YM155D-T/# 57524 | |
| | CAP, fuel oil tank | 194155-04120 | 1 | 1 | | | N | | |
| 21- 4 | PACKING, cap | 194151-04150 | 1 | 1 | | | | | |
| 21- 5 | PIPE, tank outlet | 194200-04251 | 1 | 1 | | | | | |
| 21- 6 | NUT M10 | 26716-100002 | 1 | 1 | | 10 | | | |
| 21- 7 | SPRING WASHER 10 | 22217-100000 | 1 | 1 | | 10 | | | |
| 21- 8 | WASHER 10, plain | 22117-100000 | 1 | 1 | | 10 | | | |
| 21- 9 | PACKING 10 | 194200-04280 | 1 | 1 | | | | | |
| 21- 10 | JOINT, pipe | 194150-04760 | 1 | 1 | | | | | |
| | JOINT, pipe | 194200-04260 | 1 | 1 | | | N | [3] | |
| | JOINT, pipe 8d x 30L | 197000-06020 | 1 | 1 | | | N | [3] | |
| | JOINT, pipe 8d x 33.5L | 194240-04760 | 1 | 1 | | | F | Interchangeable by set with 21-27 | |
| | JOINT, pipe 8d x 29.5L | 194200-04261 | 1 | 1 | | | N | [5] | |
| 21- 11 | FELT 300 x 120 x 3 | 194200-04270 | 1 | 1 | | | | | |
| | FELT 300 x 120 x 3 | 194200-04270 | 1 | 1 | | | Z | [5] | |
| 21- 12 | BAND, fuel oil tank | 194200-04301 | 2 | 2 | | | | | |
| | BAND, fuel oil tank | 194200-04301-X | 2 | 2 | | | N | | |
| 21- 13 | FELT 300 x 30 x 3 | 194200-04340 | 2 | 2 | | | | | |
| | FELT 300 x 30 x 3 | 194200-04340 | 2 | 2 | | | Z | [5] | |

Fig. 21 FUEL TANK [YM155,YM155D]

| Refer. No. | Description | Part No. | Qty/Unit | | | | Sales Unit | Inter-change ability | Design-change Mark | Remarks |
|------------|-----------------------------------|-------------------------|--------------|--------------|-------|--------|------------|----------------------|--------------------------------------|---------|
| | | | YM155 | YM155D | YM135 | YM135D | | | | |
| 21- 14 | NUT M8 | 26716-080002 | 6 | 6 | | | 10 | | | |
| 21- 15 | LATCH, band | 194200-04350-X | 1 | 1 | | | | | | |
| 21- 16 | SCREW M8 x 16 | 26577-080162 | 2 | 2 | | | 10 | | | |
| 21- 17 | BRACKET, fuel oil tank | 194200-04503 | 1 | 1 | | | | | Misprint | |
| | BRACKET, fuel oil tank | 194340-04500 | 1 | 1 | | | | | | |
| 21- 18 | BOLT M8 x 20 | 26116-080202 | 2 | 2 | | | 10 | | | |
| | BOLT M8 x 12 | 26116-080122 | 2 | 2 | | | 10 | S | [4] | |
| | BOLT M8 x 12 | 26013-080122 | 2 | 2 | | | 10 | N | | |
| 21- 19 | SPRING WASHER 8 | 22217-080000 | 6 | 6 | | | 10 | | | |
| 21- 20 | BOLT M8 x 16 | 26116-080162 | 4 | 4 | | | 10 | | | |
| | BOLT M8 x 16 | 26013-080162 | 2 | 2 | | | 10 | N | | |
| 21- 21 | FUEL PIPE | 194200-04650 | 1 | 1 | | | | | | |
| 21- 22 | SPRING, pipe protection | 194200-04660 | 1 | 1 | | | | | | |
| 21- 23 | BAND, hose | 124460-59060 | 2 | 2 | | | 10 | | | |
| 21- 24 | ASBESTOS 190 x 190 x 3.2 | 194340-04490 | 1 | 1 | | | | w | [1] | |
| 21- 25 | COVER, fuel oil tank | 194340-04390-X | 1 | 1 | | | | w | [1] | |
| 21- 26 | PACKING, cap | 194150-04130 | 1 | 1 | | | | z | [1] | |
| 21- 27 | O-ring 4-S | 24341-000040 | 1 | 1 | | | 10 | w | [3] | |
| 21- 28 | BAFFLE PACKING, cap | 194155-04160 | 1 | 1 | | | | F | | |
| 21- 29 | BAFFLE FORM | 194155-04170 | 1 | 1 | | | | F | YM155 -T/# 52260 YM155D-T/# 57524 | |
| 21- 30 | BRACKET, fuse box | 194345-52490-X | 1 | 1 | | | | w | | |
| 21- 31 | BOLT M8 x 20 | 26116-080202 | 2 | 2 | | | 10 | | | |
| 21- 32 | CLIP | 124060-77680 | 1 | 1 | | | 10 | | | |

Fig. 22 FUEL TANK [YM135,YM135D]

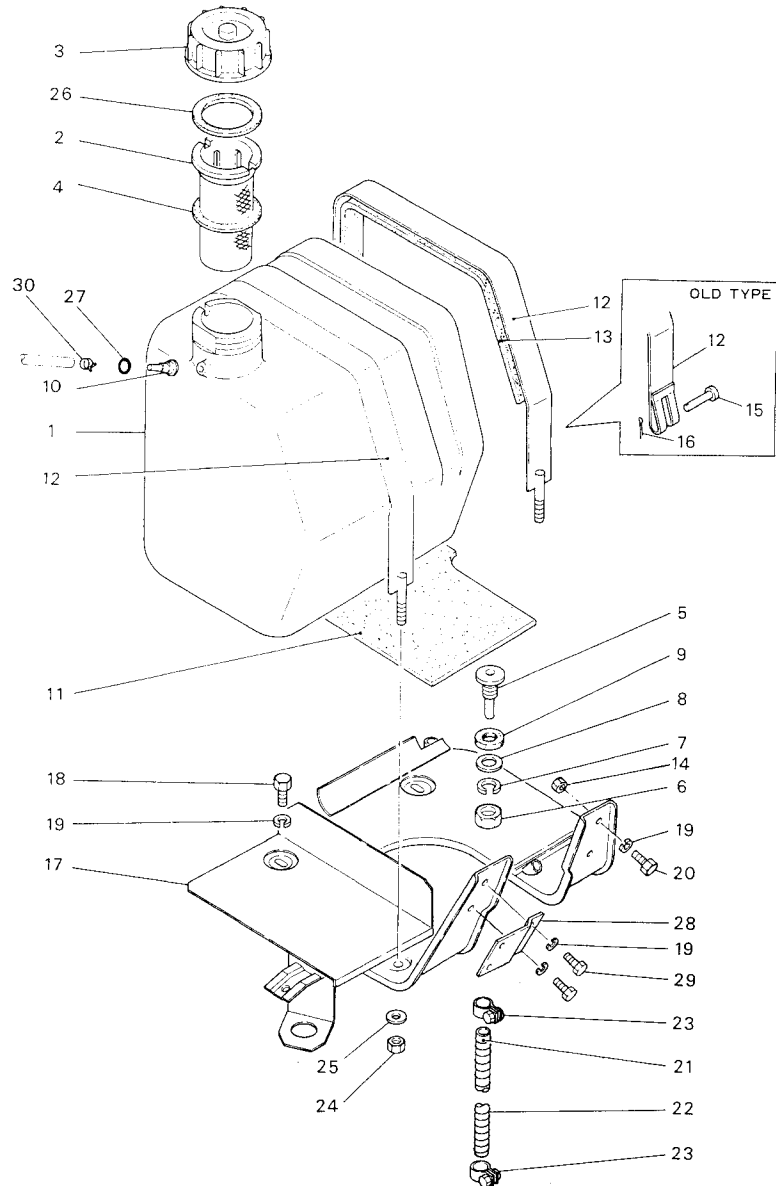


Fig. 22 FUEL TANK [YM135,YM135D]

| Refer. No. | Description | Part No. | Qty/Unit | | | | Sales Unit | Inter-changeability | Design-change Mark | Remarks |
|------------|-------------------------|----------------|----------|--------|-------|--------|------------|---------------------|--------------------|-----------------------------------|
| | | | YM155 | YM155D | YM135 | YM135D | | | | |
| 22- 1 | FUEL OIL TANK | 194390-04100 | | | 1 | 1 | | | | |
| 22- 2 | STRAINER, fuel oil tank | 194151-04140 | | | 1 | 1 | | | | |
| | STRAINER, fuel oil tank | 194151-04141 | | | 1 | 1 | | N | | |
| 22- 3 | CAP, fuel oil tank | 194151-04120 | | | 1 | 1 | | | | |
| | CAP, fuel oil tank | 194150-04121 | | | 1 | 1 | | N | [1] | |
| 22- 4 | PACKING, cap | 194151-04150 | | | 1 | 1 | | | | |
| 22- 5 | PIPE, tank outlet | 194200-04251 | | | 1 | 1 | | | | |
| 22- 6 | NUT M10 | 26716-100002 | | | 1 | 1 | 10 | | | |
| 22- 7 | SPRING WASHER 10 | 22217-100000 | | | 1 | 1 | 10 | | | |
| 22- 8 | WASHER 10, plain | 22117-100000 | | | 1 | 1 | 10 | | | |
| 22- 9 | PACKING 10 | 194200-04280 | | | 1 | 1 | | | | |
| 22- 10 | JOINT, pipe | 194150-04760 | | | 1 | 1 | | | | |
| | JOINT, pipe | 194200-04260 | | | 1 | 1 | | N | [3] | |
| | JOINT, pipe 8d x 30L | 197000-06020 | | | 1 | 1 | | N | [3] | |
| | JOINT, pipe 8d x 33.5L | 194240-04760 | | | 1 | 1 | | F | | Interchangeable by set with 22-27 |
| | JOINT, pipe 8d x 29.5L | 194200-04261 | | | 1 | 1 | | N | [5] | |
| 22- 11 | FELT 285 x 160 x 3 | 194262-04270 | | | 1 | 1 | | | | |
| | FELT 285 x 160 x 3 | 194262-04270 | | | 1 | 1 | | Z | [5] | |
| 22- 12 | BAND, fuel oil tank | 194262-04300-X | | | 2 | 2 | | | | |
| 22- 13 | FELT 380 x 34 x 3 | 194262-04280 | | | 2 | 2 | | | | |
| | FELT 380 x 34 x 3 | 194262-04280 | | | 2 | 2 | | Z | [5] | |

Fig. 22 FUEL TANK [YM135,YM135D]

| Refer. No. | Description | Part No. | Qty/Unit | | | | Sales Unit | Inter-changeability | Design-change Mark | Remarks |
|------------|-------------------------|----------------|----------|--------|-------|--------|------------|---------------------|--------------------|---------|
| | | | YM155 | YM155D | YM135 | YM135D | | | | |
| 22- 14 | NUT M8 | 26716-080002 | | | 2 | 2 | 10 | | | |
| 22- 15 | ROD 6 x 50 | 194262-04330 | | | 2 | 2 | | | | |
| | LOCK PIN, band | 194262-04331 | | | 2 | 2 | | N | [1] | |
| 22- 16 | COTTER PIN 2 x 15 | 22417-200150 | | | 4 | 4 | 10 | | | |
| | COTTER PIN 2 x 15 | 22417-200150 | | | 2 | 2 | 10 | K | [1] | |
| 22- 17 | BRACKET, fuel oil tank | 194390-04500 | | | 1 | 1 | | | | |
| 22- 18 | BOLT M8 x 20 | 26116-080202 | | | 2 | 2 | 10 | | | |
| | BOLT M8 x 12 | 26116-080122 | | | 2 | 2 | 10 | S | [4] | |
| | BOLT M8 x 12 | 26013-080122 | | | 2 | 2 | 10 | N | | |
| 22- 19 | SPRING WASHER 8 | 22217-080000 | | | 6 | 6 | 10 | | | |
| 22- 20 | BOLT M8 x 16 | 26116-080162 | | | 4 | 4 | 10 | | | |
| | BOLT M8 x 16 | 26013-080162 | | | 2 | 2 | 10 | N | | |
| 22- 21 | FUEL PIPE | 194200-04650 | | | 1 | 1 | | | | |
| 22- 22 | SPRING, pipe protection | 194200-04660 | | | 1 | 1 | | | | |
| 22- 23 | BAND, hose | 124460-59060 | | | 2 | 2 | 10 | | | |
| 22- 24 | LOCK NUT M8 | 26716-080002 | | | 4 | 4 | 10 | | | |
| | U-NUT M8 | 26346-080002 | | | 2 | 2 | 10 | N | | |
| 22- 25 | WASHER 8, plain | 22117-080000 | | | 2 | 2 | 10 | W | [1] | |
| 22- 26 | PACKING, cap | 194150-04130 | | | 1 | 1 | | Z | [1] | |
| 22- 27 | O-RING 4-S | 24341-000040 | | | 1 | 1 | 10 | W | [3] | |
| 22- 28 | BRACKET, fuse box | 194345-52490-X | | | 2 | 2 | | | | |
| 22- 29 | BOLT M8 x 20 | 26116-080202 | | | 1 | 1 | 10 | | | |
| 22- 30 | CLIP | 124060-77680 | | | 1 | 1 | | | | |

Fig. 23 FRONT AXLE (FOR YM155)

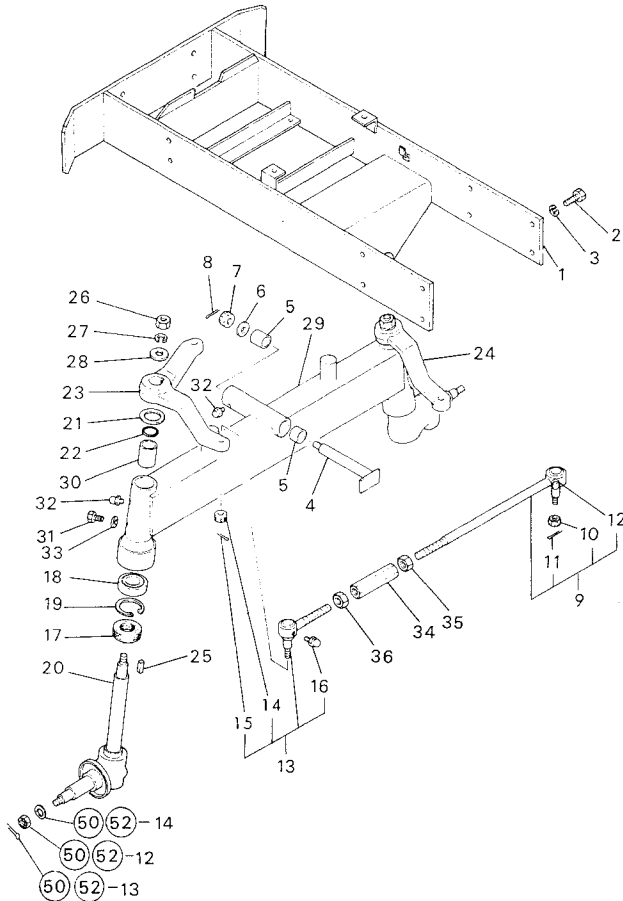


Fig. 23 FRONT AXLE (FOR YM155)

| Refer. No. | Description | Part No. | Q'ty/Unit | | | Sales Unit | Inter-changeability | Design-change Mark | Remarks |
|------------|------------------------|---------------------------|--------------|--------|-------|------------|---------------------|--------------------|---------|
| | | | YM155 | YM155D | YM135 | | | | |
| 23- 1 | BRACKET, front axle | 194340-11350-X | 1 | | | | | | |
| 23- 2 | BOLT M12 x 30 | 26116-120302 | 8 | | | 10 | | | |
| | BOLT M12 x 30 | 26013-120302 | 8 | | | 10 | N | | |
| 23- 3 | SPRING WASHER 12 | 22217-120000 | 8 | | | | Z | | |
| 23- 4 | CENTER PIN | 194210-13212 | 1 | | | | | | |
| | CENTER PIN | 194210-13212-X | 1 | | | | N | | |
| | CENTER PIN | 194340-13212-X | 1 | | | | S | Misprint | |
| | CENTER PIN | 194340-13210 | 1 | | | | S | YM155-T/# 52292 | |
| 23- 5 | BUSH 25d x 24L | 194200-11570 | 2 | | | | | | |
| | BUSH 25d x 24L | 194200-11570 | 2 | | | | Z | [1] | |
| 23- 6 | WASHER 16, plain | 22137-160000 | 1 | | | 10 | | | |
| | WASHER 20, plain | 22137-200000 | 1 | | | | S | YM155 -T/# 52292 | |
| 23- 7 | CASTLE NUT M16 | 194210-13250 | 1 | | | | | | |
| | CASTLE NUT M20 | 26877-200002 | 1 | | | | S | YM155 -T/# 52292 | |
| 23- 8 | COTTER PIN 4 x 30 | 22417-400300 | 1 | | | 10 | | | |
| | COTTER PIN 4 x 40 | 22417-400400 | 1 | | | 10 | N | YM155-T/# 52292 | |
| 23- 9 | TIE-ROD, complete | 194200-14611 | 1 | | | | | | |
| | TIE-ROD, complete | 194200-14611-X | 1 | | | | N | | |
| 23- 10 | .CASTLE NUT 11 | 194730-57241 | 2 | | | | | | |
| 23- 11 | .COTTER PIN 3 x 25 | 22417-300250 | 2 | | | 10 | | | |
| 23- 12 | .GREASE NIPPLE | 194730-57411 | 2 | | | 10 | | | |
| | .GREASE NIPPLE MT6 x 1 | 24761-060000 | 1 | | | 10 | N | | |
| 23- 13 | TIE-ROD END ASS'Y (RL) | 794730-57122 | 1 | | | | | | |
| | TIE-ROD END ASS'Y (RL) | 794730-57122-X | 1 | | | | N | | |
| 23- 14 | .CASTLE NUT 11 | 194730-57241 | 2 | | | | | | |
| 23- 15 | .COTTER PIN 3 x 25 | 22417-300250 | 2 | | | 10 | | | |
| 23- 16 | .GREASE NIPPLE | 194730-57411 | 2 | | | 10 | | | |
| | .GREASE NIPPLE MT6 x 1 | 24761-060000 | 1 | | | 10 | N | | |

Fig. 23 FRONT AXLE (FOR YM155)

M E M O

| Refer. No. | Description | Part No. | Q'ty/Unit | | | Sales Unit | Inter-change ability | Design-change Mark | Remarks |
|------------|-------------------------------|----------------|-----------|--------|-------|------------|----------------------|--------------------|---------|
| | | | YM155 | YM155D | YM135 | | | | |
| 23- 17 | OIL SEAL TC35 52 11 | 194150-12720 | 2 | | | 10 | | | |
| 23- 18 | BALL BEARING 6205 | 24101-062054 | 2 | | | | | | |
| 23- 19 | WASHER 42 x 51.8 x 1 | 194151-11670 | 2 | | | 10 | | Selective | |
| | CIRCLIP 48-H | 22252-000480 | 2 | | | 10 | | | |
| 23- 20 | KING PIN, complete | 194151-11600 | 2 | | | | | | |
| | KING PIN, complete | 194151-11600-X | 2 | | | | N | | |
| 23- 21 | COVER,king pin upper 40d x 3w | 194151-11840 | 2 | | | | | | |
| 23- 22 | O-RING 1A-2025 | 194151-11860 | 2 | | | 10 | | | |
| 23- 23 | ARM (L), knuckle | 194200-11782 | 1 | | | | | | |
| | ARM (L), knuckle | 194200-11782-X | 1 | | | | N | | |
| 23- 24 | ARM (R), knuckle | 194200-11792 | 1 | | | | | | |
| | ARM (R), knuckle | 194200-11792-X | 1 | | | | N | | |
| 23- 25 | KEY 7 x 26, feather | 194151-11660 | 2 | | | 10 | | | |
| 23- 26 | NUT M10 | 194151-11640 | 2 | | | 10 | | | |
| 23- 27 | SPRING WASHER 18 | 22217-180000 | 2 | | | 10 | | | |
| 23- 28 | WASHER, plain 36d x 2.3w | 194151-11650 | 2 | | | | | | |
| 23- 29 | AXLE, front | 194340-11500-X | 1 | | | | | | |
| | AXLE, front | 194200-11502 | 1 | | | | N | | |
| 23- 30 | BUSH 29d x 38L | 194151-11360 | 1 | | | | | | |
| | BUSH 29d x 38L | 194151-11360 | 2 | | | | K | [1] | |
| | BUSH 25 x 29 x 30 | 194440-11360 | 2 | | | | N | YM155 -T/# 52509 | |
| 23- 31 | BOLT M6 x 6 | 194151-11490 | 2 | | | 10 | | | |
| | BOLT M6 x 5 | 194145-11350 | 2 | | | 10 | N | | |
| 23- 32 | GREASE NIPPLE | 194151-11480 | 3 | | | 10 | | | |
| | GREASE NIPPLE MT6 x 1 | 24761-060000 | 3 | | | 10 | N | | |
| 23- 33 | PACKING 6 | 23418-060000 | 1 | | | | W | [1] | |
| 23- 34 | TURNBUCKLE 17 x 1.5 | 194150-12410 | 1 | | | | | | |
| 23- 35 | NUT M17 (LH screw) | 194990-22830 | 1 | | | 10 | | | |
| 23- 36 | NUT M17 (RH screw) | 194990-22840 | 1 | | | 10 | | | |

Fig. 24 FRONT AXLE (FOR YM135)

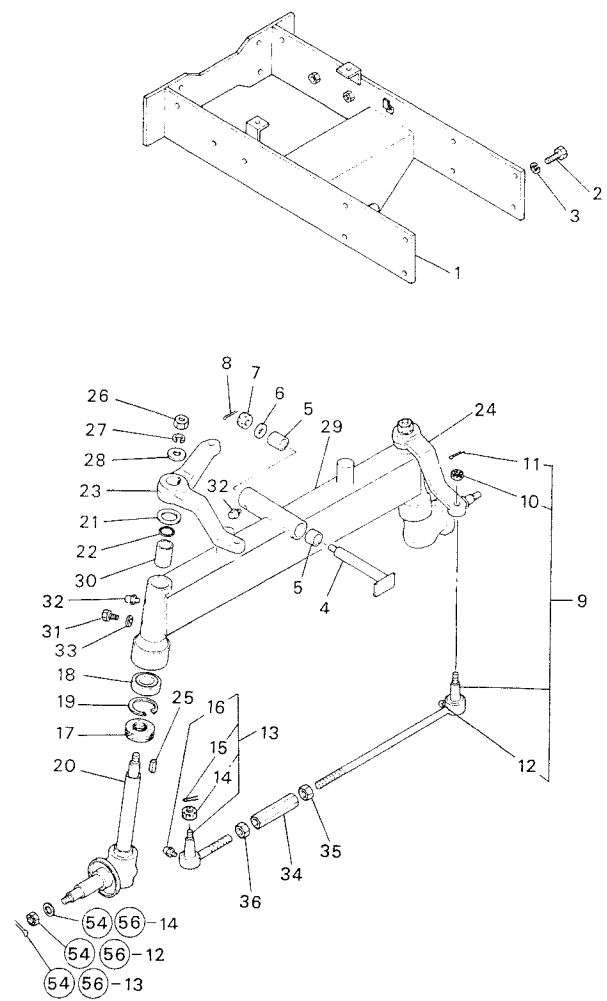


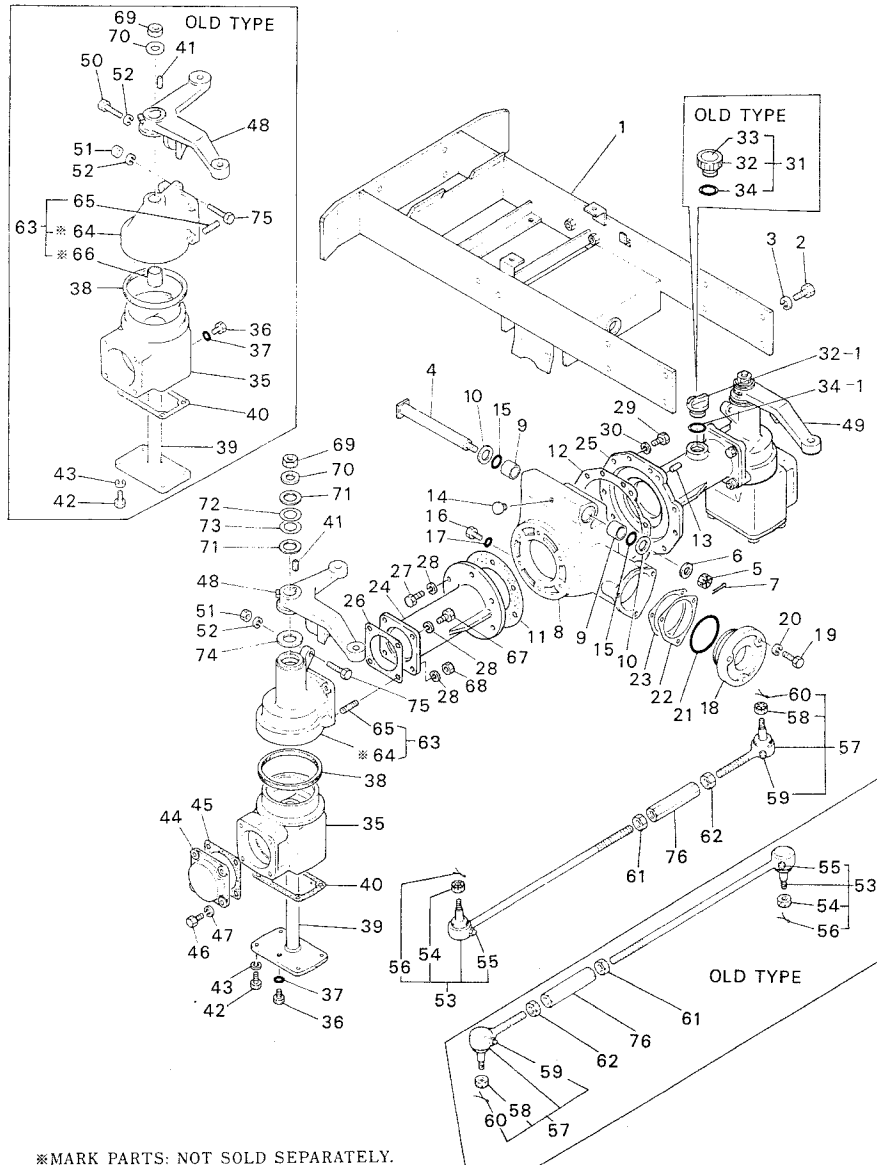
Fig. 24 FRONT AXLE (FOR YM135)

| Refer. No. | Description | Part No. | Q'ty/Unit | | | | Inter-changeability | Design-change Mark | Remarks |
|------------|------------------------|----------------|-----------|--------|-------|--------|---------------------|--------------------|---------|
| | | | YM155 | YM155D | YM135 | YM135D | | | |
| 24- 1 | BRACKET, front axle | 194262-11352 | | | 1 | | | | |
| | BRACKET, front axle | 194262-11352-X | | | 1 | | N | | |
| 24- 2 | BOLT M12 x 30 | 26116-120302 | | | 8 | 10 | | | |
| 24- 3 | SPRING WASHER 12 | 22217-120000 | | | 8 | 10 | | | |
| 24- 4 | CENTER PIN | 194210-13212 | | | 1 | | | | |
| | CENTER PIN | 194210-13212-X | | | 1 | | N | | |
| 24- 5 | BUSH | 194151-11520 | | | 2 | | | | |
| | BUSH 25d x 25L | 194190-11520 | | | 2 | | S | [1] | |
| 24- 6 | WASHER 16, plain | 22137-160000 | | | 1 | 10 | | | |
| 24- 7 | CASTLE NUT M16 | 194210-13250 | | | 1 | | | | |
| 24- 8 | COTTER PIN 4 x 30 | 22417-400300 | | | 1 | 10 | | | |
| 24- 9 | TIE-ROD, complete | 194262-14610 | | | 1 | | | | |
| | TIE-ROD, complete | 194262-14610-X | | | 1 | | N | | |
| 24- 10 | .CASTLE NUT 11 | 194730-57241 | | | 2 | | | | |
| 24- 11 | .COTTER PIN 3 x 25 | 22417-300250 | | | 2 | 10 | | | |
| 24- 12 | .GREASE NIPPLE | 194730-57411 | | | 2 | 10 | | | |
| | .GREASE NIPPLE MT6 x 1 | 24761-060000 | | | 1 | 10 | N | | |
| 24- 13 | TIE-ROD END ASS'Y (RL) | 794730-57122 | | | 1 | | | | |
| | TIE-ROD END ASS'Y (RL) | 794730-57122-X | | | 1 | | N | | |
| 24- 14 | .CASTLE NUT 11 | 194730-57241 | | | 2 | | | | |
| 24- 15 | .COTTER PIN 3 x 25 | 22417-300250 | | | 2 | 10 | | | |
| 24- 16 | .GREASE NIPPLE | 194730-57411 | | | 2 | 10 | | | |
| | .GREASE NIPPLE MT6 x 1 | 24761-060000 | | | 1 | 10 | N | | |

Fig. 24 FRONT AXLE (FOR YM135)

| Refer. No. | Description | Part No. | Q'ty/Unit | | | | Sales Unit | Inter-change ability | Design-change Mark | Remarks |
|------------|-------------------------------|----------------|-----------|--------|-------|--------|------------|----------------------|--------------------|---------|
| | | | YM155 | YM155D | YM135 | YM135D | | | | |
| 24- 17 | OIL SEAL TC35 52 11 | 194150-12720 | | | 2 | 10 | | | | |
| 24- 18 | BALL BEARING 6205 | 24101-062054 | | | 2 | | | | | |
| 24- 19 | WASHER 42 x 51.8 x 1 | 194151-11670 | | | 2 | 10 | | | Selective | |
| | CIRCLIP 48-H | 22252-000480 | | | 2 | 10 | | | | |
| 24- 20 | KING PIN, complete | 194151-11600 | | | 2 | | | | | |
| | KING PIN, complete | 194151-11600-X | | | 2 | | N | | | |
| 24- 21 | COVER,king pin upper 40d x 3w | 194151-11840 | | | 2 | | | | | |
| 24- 22 | O-RING 1A-2025 | 194151-11860 | | | 2 | 10 | | | | |
| 24- 23 | ARM (L), knuckle | 194262-11781 | | | 1 | | | | | |
| | ARM (L), knuckle | 194262-11781-X | | | 1 | | N | | | |
| 24- 24 | ARM (R), knuckle | 194262-11790 | | | 1 | | | | | |
| | ARM (R), knuckle | 194262-11790-X | | | 1 | | N | | | |
| 24- 25 | KEY 7 x 26, feather | 194151-11660 | | | 2 | 10 | | | | |
| 24- 26 | NUT M10 | 194151-11640 | | | 2 | 10 | | | | |
| 24- 27 | SPRING WASHER 18 | 22217-180000 | | | 2 | 10 | | | | |
| 24- 28 | WASHER, plain 36d x 2.3w | 194151-11650 | | | 2 | | | | | |
| 24- 29 | AXLE, front | 194262-11500 | | | 1 | | | | | |
| | AXLE, front | 194262-11500-X | | | 1 | | N | | | |
| 24- 30 | BUSH 29d x 38L | 194151-11360 | | | 1 | | | | | |
| | BUSH 29d x 38L | 194151-11360 | | | 2 | | K | [1] | | |
| 24- 31 | BOLT M6 x 6 | 194151-11490 | | | 2 | 10 | | | | |
| | BOLT M6 x 5 | 194145-11350 | | | 2 | 10 | N | | | |
| 24- 32 | GREASE NIPPLE | 194151-11480 | | | 3 | 10 | | | | |
| | GREASE NIPPLE MT6 x 1 | 24761-060000 | | | 3 | 10 | N | | | |
| 24- 33 | PACKING 6 | 23418-060000 | | | 1 | | W | [1] | | |
| 24- 34 | TURNBUCKLE 17 x 1.5 | 194150-12410 | | | 1 | | | | | |
| 24- 35 | NUT M17 (LH screw) | 194990-22830 | | | 1 | 10 | | | | |
| 24- 36 | NUT M17 (RH screw) | 194990-22840 | | | 1 | 10 | | | | |

Fig. 25 FRONT AXLE (FOR YM155D)



*MARK PARTS: NOT SOLD SEPARATELY.

Fig. 25 FRONT AXLE (FOR YM155D)

| Refer. No. | Description | Part No. | Q'ty/Unit | | | | Inter-changeability | Design-change Mark | Remarks |
|------------|-------------------------------|----------------|-----------|--------|-------|--------|---------------------|--------------------|---------|
| | | | YM155 | YM155D | YM135 | YM135D | | | |
| 25- 1 | BRACKET, front axle | 194341-11100-X | 1 | | | | | | |
| | BRACKET, front axle | 194341-11101-X | 1 | | | | N | | |
| 25- 2 | BOLT M12 x 30 | 26116-120302 | 8 | | | 10 | | | |
| | BOLT M12 x 30 | 26013-120302 | 8 | | | 10 | N | | |
| 25- 3 | SPRING WASHER 12 | 22217-120000 | 8 | | | | Z | | |
| 25- 4 | CENTER PIN | 194210-13212 | 1 | | | | | | |
| | CENTER PIN | 194210-13212-X | 1 | | | | N | | |
| | CENTER PIN | 194340-13210-X | 1 | | | | S | YM155D-T/# 57929 | |
| 25- 5 | CASTLE NUT M16 | 194210-13250 | 1 | | | 10 | | | |
| | CASTLE NUT M20 | 26877-200002 | 1 | | | | S | YM155D-T/# 57929 | |
| 25- 6 | WASHER 16 | 22137-160000 | 1 | | | 10 | | | |
| | WASHER 20 | 22137-200000 | 1 | | | | S | YM155D-T/# 57929 | |
| 25- 7 | COTTER PIN 4 x 30 | 22417-400300 | 1 | | | 10 | | | |
| | COTTER PIN 4 x 40 | 22417-400400 | 1 | | | 10 | N | YM155D-T/# 57929 | |
| 25- 8 | CASE, front axle | 194210-13512 | 1 | | | | | | |
| | CASE, front axle | 194210-13512-X | 1 | | | | N | | |
| 25- 9 | METAL 22 x 28 x 22 | 194210-13520 | 2 | | | | | | |
| 25- 10 | LINER 22.5 x 34 x 2 | 194210-13530 | 2 | | | | | | |
| 25- 11 | PACKING(L), front axle flange | 194210-13540 | 1 | | | 10 | | | |
| 25- 12 | PACKING(R), front axle flange | 194210-13551 | 1 | | | 10 | | | |
| 25- 13 | PIN 8 x 28, straight | 1A1040-26060 | 2 | | | 10 | | | |
| 25- 14 | BREATHER 10 | 194210-13561 | 1 | | | | | | |
| 25- 15 | O-RING P22A | 24311-350220 | 2 | | | 10 | | | |
| 25- 16 | OIL PLUG 10 | 1A1040-48070 | 2 | | | | | | |
| 25- 17 | O-RING 12-P | 24311-000120 | 2 | | | 10 | | | |
| 25- 18 | CAP, front axle case | 194210-13570 | 1 | | | | | | |
| | CAP, front axle case | 194210-13570-X | 1 | | | | N | | |
| | CAP, front axle case | 194212-13450 | 1 | | | | F | YM155D-57457 | |
| | CAP, front axle case | 194212-13450-X | 1 | | | | N | | |

Fig. 25 FRONT AXLE (FOR YM155D)

| Refer. No. | Description | Part No. | Q'ty/Unit | | | Sales Unit | Inter-change ability | Design-change Mark | Remarks | |
|------------|----------------------------------|----------------|-----------|--------|-------|------------|----------------------|--------------------|-----------------|--------|
| | | | YM155 | YM155D | YM135 | | | | | YM135D |
| 25- 19 | BOLT M8 x 30 | 26116-080302 | | 3 | | 10 | | | | |
| | BOLT M8 x 30 | 26013-080302 | | 3 | | 10 | N | | | |
| 25- 20 | SPRING WASHER 8 | 22217-080000 | | 3 | | | Z | | | |
| 25- 21 | O-RING 60-G | 24322-000600 | | 1 | | 10 | | | | |
| | O-RING 60-G | 24321-000600 | | 1 | | 10 | N | | | |
| 25- 22 | SHIM 0.1, front axle case | 194210-14450 | | - | | 10 | | Selective | | |
| 25- 23 | SHIM 0.2, front axle case | 194210-14460 | | - | | 10 | | | | |
| 25- 24 | AXLE (L), front | 194210-13610 | | 1 | | | | [4] | | |
| | AXLE (L), front | 194210-13610-X | | 1 | | | N | | | |
| | AXLE (L), front | 194341-13610 | | 1 | | | S | | | |
| | AXLE (L), front | 194341-13610-X | | 1 | | | N | | | |
| 25- 25 | AXLE (R), front | 194210-13621 | | 1 | | | | [4] | | |
| | AXLE (R), front | 194210-13621-X | | 1 | | | N | | | |
| | AXLE (R), front | 194341-13621 | | 1 | | | S | | | |
| | AXLE (R), front | 194341-13621-X | | 1 | | | N | | | |
| | AXLE (R), front | 194346-13620-X | | 1 | | | S | | YM155D-T/#57524 | |
| 25- 26 | PACKING, front axle outer flange | 194210-13740 | | 2 | | 10 | | [4] | | |
| | PACKING, front axle outer flange | 194341-13740 | | 2 | | 10 | S | | | |
| 25- 27 | BOLT M10 x 28 | 26116-100282 | | 6 | | 10 | | [4] | | |
| | BOLT M10 x 28 | 26013-100282 | | 6 | | 10 | N | | | |
| 25- 28 | SPRING WASHER 10 | 22217-100000 | | 14 | | 10 | | [4] | | |
| | SPRING WASHER 10 | 22217-100000 | | 4 | | 10 | N | | | |
| 25- 29 | BOLT M8 x 22 | 26116-080222 | | 11 | | 10 | | [4] | | |
| | BOLT M8 x 25 | 26116-080252 | | 11 | | 10 | S | | | |
| | BOLT M8 x 25 | 26013-080252 | | 11 | | 10 | N | | | |
| 25- 30 | SPRING WASHER 8 | 22217-080000 | | 11 | | | Z | | | |

Fig. 25 FRONT AXLE (FOR YM155D)

| Refer. No. | Description | Part No. | Q'ty/Unit | | | Sales Unit | Inter-change ability | Design-change Mark | Remarks |
|------------|---------------------------------------|----------------|-----------|--------|-------|------------|----------------------|--------------------|------------------|
| | | | YM155 | YM155D | YM135 | | | | |
| 25- 31 | OIL PLUG 30 w/PLATE | 794210-13750 | | 1 | | | | | |
| | OIL PLUG 30 w/PLATE | 794341-13750 | | 1 | | | | S | [4] |
| 25- 32 | .OIL PLUG 30 | 194200-24380 | | 1 | | | | | |
| 25- 32-1 | OIL PLUG 20 | 194346-13630 | | 1 | | | | S | YM155D-T/# 57524 |
| 25- 33 | .LABEL, front axle oiling instruction | 194210-65310 | | 1 | | | | | |
| | .LABEL, front axle oiling instruction | 194341-65310 | | 1 | | | | N | [1] |
| | .LABEL, front axle oiling instruction | 194341-65311 | | 1 | | | | S | [4] |
| | .LABEL, front axle oiling instruction | 194341-65311 | | 1 | | | | Z | |
| 25- 34 | .O-RING 30-S | 24341-000300 | | 2 | | 10 | | | |
| | .O-RING 30-S | 24341-000300 | | 1 | | 10 | | K | [1] |
| 25- 34-1 | O-RING 18-P | 24341-000180 | | 1 | | | | S | YM155D-T/# 57524 |
| | O-RING 18-P | 24311-000180 | | 1 | | 10 | | N | |
| 25- 35 | GEAR CASE, lower front | 194210-13822 | | 2 | | | | | |
| | GEAR CASE, lower front | 194341-13820 | | 2 | | | | S | [4] |
| | GEAR CASE, lower front | 194341-13820-X | | 2 | | | | N | |
| 25- 36 | OIL PLUG 10 | 1A1040-48070 | | 2 | | 10 | | | |
| 25- 37 | O-RING 12-P | 24311-000120 | | 2 | | 10 | | | |
| 25- 38 | OIL SEAL 100 x 120 x 12 | 194210-13841 | | 2 | | 10 | | | |
| | OIL SEAL TC135 x 165 x 14 | 194341-13840 | | 2 | | 10 | | S | [4] |
| 25- 39 | KING PIN | 194210-13902 | | 2 | | | | | |
| | KING PIN | 194210-13902-X | | 2 | | | | N | |
| | KING PIN | 194341-13900 | | 2 | | | | S | [4] |
| | KING PIN | 194341-13900-X | | 2 | | | | N | |
| 25- 40 | PACKING, front gear case bottom | 194210-13950 | | 2 | | 10 | | | |
| | PACKING, front gear case bottom | 194341-13950 | | 2 | | 10 | | S | [4] |
| 25- 41 | KEY 7 x 26, feather | 22512-070260 | | 2 | | 10 | | | |
| | KEY 7 x 26, feather | 194151-11660 | | 2 | | 10 | | N | [1] |

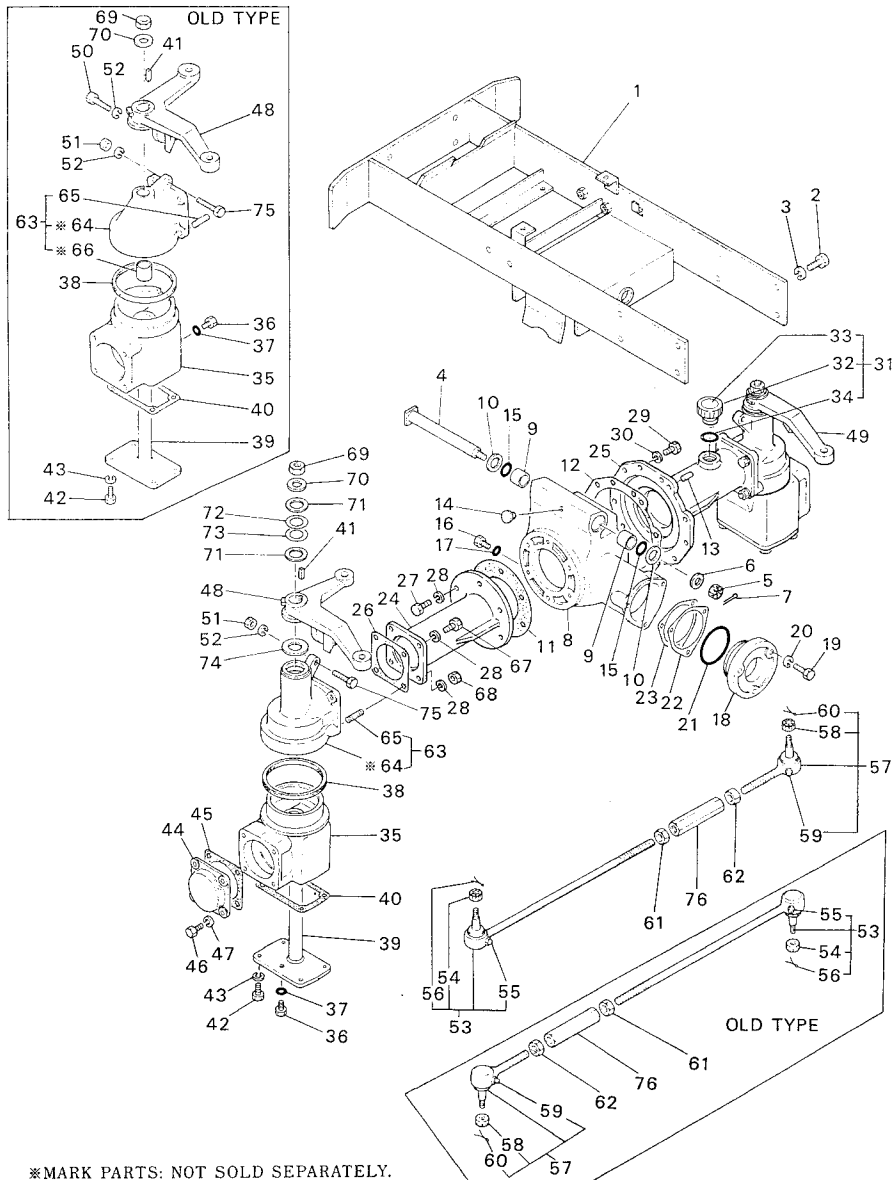
Fig. 25 FRONT AXLE (FOR YM155D)

| Refer. No. | Description | Part No. | Q'ty/Unit | | | Sales Unit | Inter-changeability | Design-change Mark | Remarks |
|------------|------------------------------|----------------|-----------|--------|-------|------------|---------------------|--------------------|---------|
| | | | YM155 | YM155D | YM135 | | | | |
| 25- 42 | BOLT M10 x 22 | 26116-100222 | 8 | | | 10 | | | |
| | BOLT M10 x 28 | 26116-100282 | 8 | | | 10 | S | [4] | |
| | BOLT M10 x 28 | 26013-100282 | 8 | | | 10 | N | | |
| 25- 43 | SPRING WASHER 10 | 22217-100000 | 8 | | | | Z | | |
| 25- 44 | CAP, front gear case | 194210-13930-X | 2 | | | | | | |
| 25- 45 | PACKING, front gear case cap | 194210-13940 | 2 | | | 10 | | | |
| 25- 46 | BOLT M8 x 22 | 26116-080222 | 8 | | | 10 | | | |
| | BOLT M8 x 22 | 26013-080222 | 8 | | | 10 | N | | |
| 25- 47 | SPRING WASHER 8 | 22217-080000 | 8 | | | | Z | | |
| 25- 48 | ARM (L), knuckle | 194210-14510 | 1 | | | | | | |
| | ARM (L), knuckle | 194341-14510-X | 1 | | | | S | [4] | |
| | ARM (L), knuckle | 194341-14530-X | 1 | | | | N | [5] | |
| 25- 49 | ARM (R), knuckle | 194210-14520-X | 1 | | | | | | |
| | ARM (R), knuckle | 194341-14520-X | 1 | | | | S | [4] | |
| 25- 50 | BOLT M10 x 38 | 26116-100384 | 4 | | | 10 | | | |
| | BOLT M10 x 40 | 194210-14550 | 4 | | | 10 | N | [1] | |
| | BOLT M10 x 40 | 194210-14550 | 2 | | | 10 | K | [4] | |
| 25- 51 | LOCK NUT M10 | 26756-100002 | 2 | | | 10 | | | |
| 25- 52 | SPRING WASHER 10 | 22217-100000 | 4 | | | 10 | | | |
| | SPRING WASHER 10 | 22217-100000 | 2 | | | | K | [4] | |
| 25- 53 | TIE-ROD | 194200-14611-X | 1 | | | | S | [4] | |
| 25- 54 | .CASTLE NUT M11 | 194730-57241 | 1 | | | 10 | | | |
| 25- 55 | .GREASE NIPPLE 1/4 | 194730-57411 | 2 | | | 10 | | | |
| | .GREASE NIPPLE MT6x1 | 24761-060000 | 1 | | | 10 | N | | |
| 25- 56 | .COTTER PIN 3 x 25 | 22417-300250 | 1 | | | 10 | | | |
| 25- 57 | TIE-ROD END ASS'Y (RL) | 794730-57122-X | 1 | | | | | | |
| 25- 58 | .CASTLE NUT M11 | 194730-57241 | 1 | | | 10 | | | |
| 25- 59 | .GREASE NIPPLE 1/4 | 194730-57411 | 2 | | | 10 | | | |
| | .GREASE NIPPLE MT6x1 | 24761-060000 | 1 | | | 10 | N | | |
| 25- 60 | .COTTER PIN 3 x 25 | 22417-300250 | 1 | | | 10 | | | |

Fig. 25 FRONT AXLE (FOR YM155D)

| Refer. No. | Description | Part No. | Q'ty/Unit | | | Sales Unit | Inter-changeability | Design-change Mark | Remarks |
|------------|------------------------------|----------------|-----------|--------|-------|------------|---------------------|--------------------|-------------------------------------|
| | | | YM155 | YM155D | YM135 | | | | |
| 25- 61 | NUT M17 (LH screw) | 194990-22830 | 1 | | | 10 | | | |
| 25- 62 | NUT M17 (RH screw) | 194990-22840 | 1 | | | 10 | | | |
| 25- 63 | GEAR CASE ASS'Y, upper front | 794210-13802-X | 2 | | | | | | |
| | GEAR CASE ASS'Y, upper front | 794341-13800-X | 2 | | | | S | [4] | |
| 25- 64 | .GEAR CASE, upper front | * | 2 | | | | * | | Not Sold Separately. |
| | .GEAR CASE, upper front | * | 2 | | | | * S | [4] | Not Sold Separately. (194341-13810) |
| 25- 65 | .STUD M10 x 20 | 194210-13880 | 4 | | | 10 | | | |
| | .STUD M10 x 23 | 194210-13881 | 4 | | | 10 | S | [4] | |
| 25- 66 | .METAL 22 x 25 x 50 | 194210-13831 | 2 | | | | Z | [4] | |
| 25- 67 | BOLT M10 x 28 | 26116-100282 | 4 | | | 10 | | | |
| | BOLT M10 x 28 | 26013-100282 | 4 | | | 10 | N | | |
| 25- 68 | NUT M10 | 26716-100002 | 4 | | | 10 | | | |
| 25- 69 | NUT M18 x 1.5 | 194151-11640 | 2 | | | 10 | | | |
| | NUT M18 x 1.5 | 26736-180002 | 2 | | | 10 | N | [4] | |
| 5- 70 | PLATE, washer | 194151-11650 | 2 | | | | | | |
| | WASHER 18 | 22117-180000 | 2 | | | | N | [4] | |
| 25- 71 | LINER 22.5 x 40 x 1 | 194341-13790 | 4 | | | 10 | W | [4] | |
| 25- 72 | SHIM 22.5 x 40 x 0.3 | 194341-13980 | - | | | 10 | W | [4] | } Selective |
| 25- 73 | SHIM 22.5 x 40 x 0.1 | 194341-13990 | - | | | 10 | W | [4] | |
| 25- 74 | LINER 25.5 x 60 x 1.6 | 194341-13960 | 2 | | | 10 | W | [4] | |
| 25- 75 | BOLT M10 x 40 | 26116-100404 | 2 | | | 10 | | [1] | |

Fig. 26 FRONT AXLE (FOR YM135D)



*MARK PARTS: NOT SOLD SEPARATELY.

Fig. 26 FRONT AXLE (FOR YM135D)

| Refer. No. | Description | Part No. | Q'ty/Unit | | | Inter-changeability | Design-change Mark | Remarks |
|------------|-------------------------------|----------------|-----------|--------|-------|---------------------|--------------------|---------|
| | | | YM155 | YM155D | YM135 | | | |
| 26- 1 | BRACKET, front axle | 194263-11102 | | | 1 | | | |
| 26- 2 | BOLT M12 x 30 | 26116-120302 | | | 8 | 10 | | |
| 26- 3 | SPRING WASHER 12 | 22217-120000 | | | 8 | 10 | | |
| 26- 4 | CENTER PIN | 194210-13212 | | | 1 | | | |
| | CENTER PIN | 194210-13212-X | | | 1 | | N | |
| 26- 5 | CASTLE NUT M16 | 194210-13250 | | | 1 | 10 | | |
| 26- 6 | WASHER 16 | 22137-160000 | | | 1 | 10 | | |
| 26- 7 | COTTER PIN 4 x 30 | 22417-400300 | | | 1 | 10 | | |
| 26- 8 | CASE, front axle | 194210-13512 | | | 1 | | | |
| | CASE, front axle | 194210-13512-X | | | 1 | | N | |
| 26- 9 | METAL 22 x 28 x 22 | 194210-13520 | | | 2 | | | |
| 26- 10 | LINER 22.5 x 34 x 2 | 194210-13530 | | | 2 | | | |
| 26- 11 | PACKING(L), front axle flange | 194210-13540 | | | 1 | 10 | | |
| 26- 12 | PACKING(R), front axle flange | 194210-13551 | | | 1 | 10 | | |
| 26- 13 | PIN 8 x 28, straight | 1A1040-26060 | | | 2 | 10 | | |
| 26- 14 | BREATHER 10 | 194210-13561 | | | 1 | | | |
| 26- 15 | O-RING P22A | 24311-350220 | | | 2 | 10 | | |
| 26- 16 | OIL PLUG 10 | 1A1040-48070 | | | 2 | | | |
| 26- 17 | O-RING 12-P | 24311-000120 | | | 2 | 10 | | |
| 26- 18 | CAP, front axle case | 194210-13570 | | | 1 | | | |
| | CAP, front axle case | 194210-13570-X | | | 1 | | N | |
| | CAP, front axle case | 194212-13450 | | | | | F | |
| | CAP, front axle case | 194212-13450-X | | | | | N | |

Fig. 26 FRONT AXLE (FOR YM135D)

| Refer. No. | Description | Part No. | Q ^{1/2} /Unit | | | Sales Unit | Inter-change ability | Design-change Mark | Remarks |
|------------|----------------------------------|----------------|------------------------|--------|-------|------------|----------------------|--------------------|---------|
| | | | YM155 | YM155D | YM135 | | | | |
| 26- 19 | BOLT M8 x 30 | 26116-080302 | | | | 3 10 | | | |
| | BOLT M8 x 30 | 26013-080302 | | | | 3 10 | N | | |
| 26- 20 | SPRING WASHER 8 | 22217-080000 | | | | 3 | Z | | |
| 26- 21 | O-RING 60-G | 24322-000600 | | | | 1 10 | | | |
| | O-RING 60-G | 24321-000600 | | | | 1 10 | N | | |
| 26- 22 | SHIM 0.1, front axle case | 194210-14450 | | | | - 10 | | Selective | |
| 26- 23 | SHIM 0.2, front axle case | 194210-14460 | | | | - 10 | | | |
| 26- 24 | AXLE (L), front | 194263-13610-X | | | | 1 | | | |
| | AXLE (L), front | 194263-13611 | | | | 1 | N | [1] | |
| | AXLE (L), front | 194263-13611-X | | | | 1 | N | | |
| | AXLE (L), front | 194341-13610 | | | | 1 | S | [4] | |
| | AXLE (L), front | 194341-13610-X | | | | 1 | N | | |
| 26- 25 | AXLE (R), front | 194346-13620-X | | | | 1 | N | | |
| | AXLE (R), front | 194263-13620-X | | | | 1 | N | | |
| | AXLE (R), front | 194263-13621 | | | | 1 | N | [4] | |
| | AXLE (R), front | 194263-13621-X | | | | 1 | N | | |
| | AXLE (R), front | 194341-13621 | | | | 1 | S | [4] | |
| | AXLE (R), front | 194341-13621-X | | | | 1 | N | | |
| 26- 26 | PACKING, front axle outer flange | 194210-13740 | | | | 2 10 | | | |
| | PACKING, front axle outer flange | 194341-13740 | | | | 2 10 | S | [4] | |
| 26- 27 | BOLT M10 x 28 | 26116-100282 | | | | 6 10 | | | |
| | BOLT M10 x 28 | 26013-100282 | | | | 6 10 | N | | |
| 26- 28 | SPRING WASHER 10 | 22217-100000 | | | | 14 10 | | | |
| | SPRING WASHER 10 | 22217-100000 | | | | 4 10 | K | | |
| 26- 29 | BOLT M8 x 22 | 26116-080222 | | | | 11 10 | | | |
| | BOLT M8 x 25 | 26116-080252 | | | | 11 10 | S | [4] | |
| | BOLT M8 x 25 | 26013-080252 | | | | 11 10 | N | | |
| 26- 30 | SPRING WASHER 8 | 22217-080000 | | | | 11 | Z | | |

Fig. 26 FRONT AXLE (FOR YM135D)

| Refer. No. | Description | Part No. | Q ^{1/2} /Unit | | | Sales Unit | Inter-change ability | Design-change Mark | Remarks |
|------------|---------------------------------------|----------------|------------------------|--------|-------|------------|----------------------|--------------------|---------|
| | | | YM155 | YM155D | YM135 | | | | |
| 26- 31 | OIL PLUG 30 w/PLATE | 794210-13750 | | | | 1 | | | |
| | OIL PLUG 30 w/PLATE | 794341-13750 | | | | 1 | S | [4] | |
| 26- 32 | OIL PLUG 30 | 194200-24380 | | | | 1 | | | |
| 26- 33 | .LABEL, front axle oiling instruction | 194210-65310 | | | | 1 | | | |
| | .LABEL, front axle oiling instruction | 194341-65310 | | | | 1 | N | [1] | |
| | .LABEL, front axle oiling instruction | 194341-65311 | | | | 1 | S | [4] | |
| | .LABEL, front axle oiling instruction | 194341-65311 | | | | 1 | Z | | |
| 26- 34 | .O-RING 30-S | 24341-000300 | | | | 2 10 | | | |
| | .O-RING 30-S | 24341-000300 | | | | 1 10 | K | [1] | |
| 26- 35 | GEAR CASE, lower front | 194210-13822 | | | | 2 | | | |
| | GEAR CASE, lower front | 194341-13820 | | | | 2 | S | [4] | |
| | GEAR CASE, lower front | 194341-13820-X | | | | 2 | N | | |
| 26- 36 | OIL PLUG 10 | 1A1040-48070 | | | | 2 10 | | | |
| 26- 37 | O-RING 12-P | 24311-000120 | | | | 2 10 | | | |
| 26- 38 | OIL SEAL 100 x 120 x 12 | 194210-13841 | | | | 2 10 | | | |
| | OIL SEAL TC135 x 165 x 14 | 194341-13840 | | | | 2 10 | S | [4] | |
| 26- 39 | KING PIN | 194210-13902 | | | | 2 | | | |
| | KING PIN | 194210-13902-X | | | | 2 | N | | |
| | KING PIN | 194341-13900 | | | | 2 | S | [4] | |
| | KING PIN | 194341-13900-X | | | | 2 | N | | |
| 26- 40 | PACKING, front gear case bottom | 194210-13950 | | | | 2 10 | | | |
| | PACKING, front gear case bottom | 194341-13950 | | | | 2 10 | S | [4] | |
| 26- 41 | KEY 7 x 26, feather | 22512-070260 | | | | 2 10 | | | |
| | KEY 7 x 26, feather | 194151-11660 | | | | 2 10 | N | [1] | |
| 26- 42 | BOLT M10 x 22 | 26116-100222 | | | | 8 10 | | | |
| | BOLT M10 x 28 | 26116-100282 | | | | 8 10 | S | [4] | |
| | BOLT M10 x 28 | 26013-100282 | | | | 8 10 | N | | |
| 26- 43 | SPRING WASHER 10 | 22217-100000 | | | | 8 | Z | | |
| 26- 44 | CAP, front gear case | 194210-13930-X | | | | 2 | | | |
| 26- 45 | PACKING, front gear case cap | 194210-13940 | | | | 2 10 | | | |

Fig. 26 FRONT AXLE (FOR YM135D)

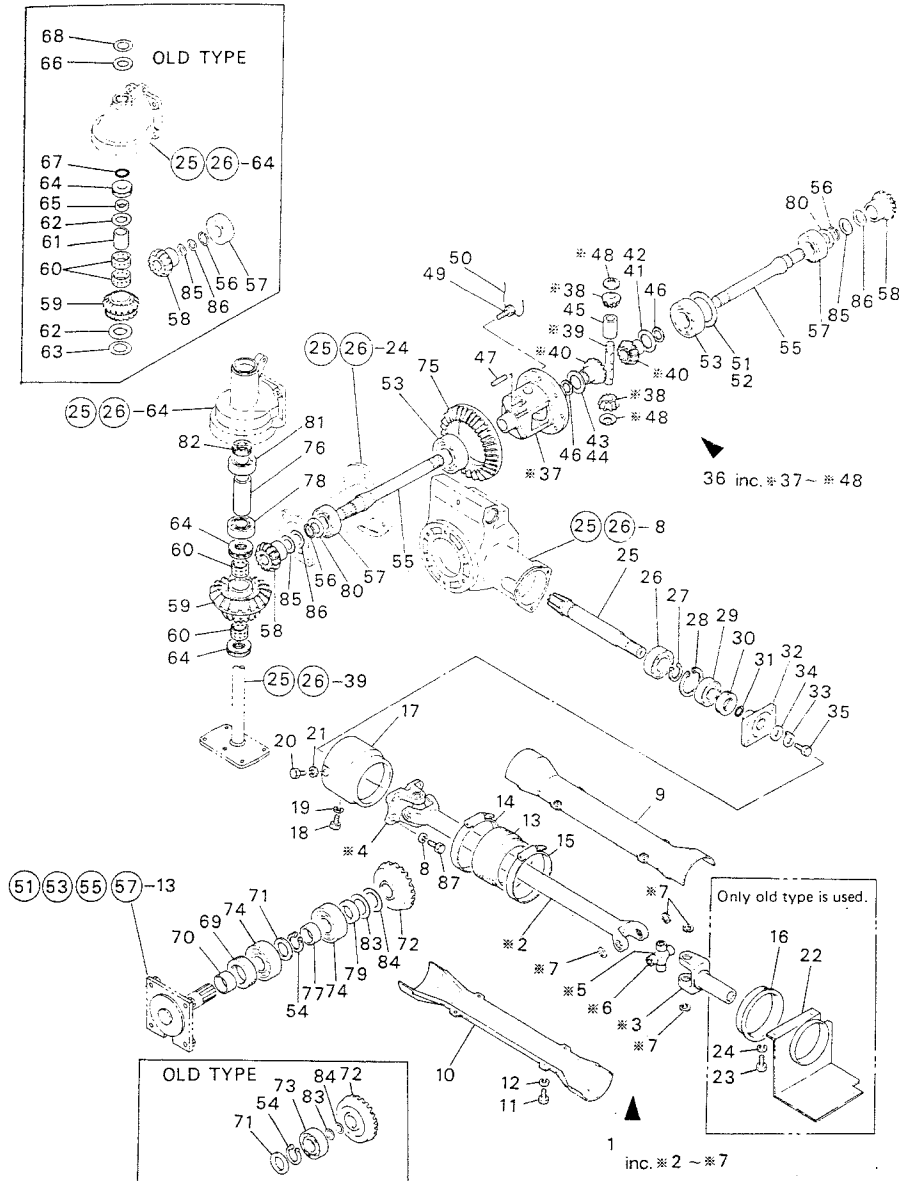
| Refer. No. | Description | Part No. | Q'ty/Unit | | | | Inter-changeability | Design-change Mark | Remarks |
|------------|------------------------|----------------|-----------|--------|-------|--------|---------------------|--------------------|---------|
| | | | YM155 | YM155D | YM135 | YM135D | | | |
| 26- 46 | BOLT M8 x 22 | 26116-080222 | | | | 8 10 | | | |
| | BOLT M8 x 22 | 26013-080222 | | | | 8 10 | N | | |
| 26- 47 | SPRING WASHER 8 | 22217-080000 | | | | 8 | Z | | |
| 26- 48 | ARM (L), knuckle | 194263-14511 | | | | 1 | | | |
| | ARM (L), knuckle | 194341-14510-X | | | | 1 | S [4] | | |
| 26- 49 | ARM (R), knuckle | 194210-1520 | | | | 1 | | | |
| | ARM (R), knuckle | 194341-14520-X | | | | 1 | S [4] | | |
| 26- 50 | BOLT M10 x 38 | 26116-100384 | | | | 4 10 | | | |
| | BOLT M10 x 40 | 194210-14550 | | | | 4 10 | N [1] | | |
| | BOLT M10 x 40 | 194210-14550 | | | | 2 10 | K [4] | | |
| 26- 51 | LOCK NUT M10 | 26756-100002 | | | | 2 10 | | | |
| 26- 52 | SPRING WASHER 10 | 22217-100000 | | | | 4 10 | | | |
| | SPRING WASHER 10 | 22217-100000 | | | | 2 | K [4] | | |
| 26- 53 | TIE-ROD | 194262-14610-X | | | | 1 | | | |
| | TIE-ROD | 194200-14611 | | | | 1 | S [4] | | |
| 26- 54 | .CASTLE NUT M11 | 194730-57241 | | | | 1 10 | | | |
| 26- 55 | .GREASE NIPPLE 1/4 | 194730-57411 | | | | 2 10 | | | |
| | .GREASE NIPPLE MT6x1 | 24761-060000 | | | | 1 10 | N | | |
| 26- 56 | .COTTER PIN 3 x 25 | 22417-300250 | | | | 1 10 | | | |
| 26- 57 | TIE-ROD END ASS'Y (RL) | 794730-57122-X | | | | 1 | | | |
| 26- 58 | .CASTLE NUT M11 | 194730-57241 | | | | 1 10 | | | |
| 26- 59 | .GREASE NIPPLE 1/4 | 194730-57411 | | | | 2 10 | | | |
| | .GREASE NIPPLE MT6x1 | 24761-060000 | | | | 1 10 | N | | |
| 26- 60 | .COTTER PIN 3 x 25 | 22417-300250 | | | | 1 10 | | | |
| 26- 61 | NUT M17 (LH screw) | 194990-22830 | | | | 1 10 | | | |
| 26- 62 | NUT M17 (RH screw) | 194990-22840 | | | | 1 10 | | | |

Fig. 26 FRONT AXLE (FOR YM135D)

| Refer. No. | Description | Part No. | Q'ty/Unit | | | | Inter-changeability | Design-change Mark | Remarks |
|------------|------------------------------|----------------|-----------|--------|-------|--------|---------------------|-------------------------------------|---------|
| | | | YM155 | YM155D | YM135 | YM135D | | | |
| 26- 63 | GEAR CASE ASS'Y, upper front | 794210-13802-X | | | | 2 | | | |
| | GEAR CASE ASS'Y, upper front | 794341-13800-X | | | | 2 | S [4] | | |
| 26- 64 | .GEAR CASE, upper front | * | | | | 2 * | | Not Sold Separately. | |
| | .GEAR CASE, upper front | * | | | | 2 * | S [4] | Not Sold Separately. (194341-13810) | |
| 26- 65 | .STUD M10 x 20 | 194210-13880 | | | | 4 10 | | | |
| | .STUD M10 x 23 | 194210-13881 | | | | 4 10 | N [4] | | |
| 26- 66 | .METAL 22 x 25 x 50 | * | | | | 2 * | Z [4] | Not Sold Separately. | |
| 26- 67 | BOLT M10 x 28 | 26116-100282 | | | | 4 10 | | | |
| | BOLT M10 x 28 | 26013-100282 | | | | 4 10 | N | | |
| 26- 68 | NUT M10 | 26716-100002 | | | | 4 10 | | | |
| 26- 69 | NUT M18 x 1.5 | 194151-11640 | | | | 2 10 | | | |
| | NUT M18 x 1.5 | 26736-180002 | | | | 2 10 | N [4] | | |
| 26- 70 | PLATE, washer | 194151-11650 | | | | 2 | | | |
| | WASHER 18 | 22117-180000 | | | | 2 | N [4] | | |
| 26- 71 | LINER 22.5 x 40 x 1 | 194341-13790 | | | | 4 10 | W [4] | | |
| 26- 72 | SHIM 22.5 x 40 x 0.3 | 194341-13980 | | | | - | W [4] | Selective | |
| 26- 73 | SHIM 22.5 x 40 x 0.1 | 194341-13990 | | | | - | W [4] | | |
| 26- 74 | LINER 25.5 x 60 x 1.6 | 194341-13960 | | | | 2 10 | W [4] | | |
| 26- 75 | BOLT M10 x 40 | 26116-100404 | | | | 2 10 | | [1] | |
| 26- 76 | TURNBUCKLE 17 x 1.5 | 194150-12410 | | | | 1 | | | |

Fig. 27 FRONT AXLE INTERIOR (YM155D, YM135D)

Fig. 27 FRONT AXLE INTERIOR (YM155D, YM135D)



| Refer. No. | Description | Part No. | Q'ty/Unit | | | Inter-changeability | Design-change Mark | Remarks |
|------------|----------------------------------|----------------|-----------|--------|--------|---------------------|--------------------|-------------------------------------|
| | | | YM155 | YM155D | YM135D | | | |
| 27- 1 | PROPELLER SHAFT ASS'Y | 794210-13300 | 1 | 1 | 1 | | | |
| 27- 2 | PROPELLER SHAFT ASS'Y | 794210-13300-X | 1 | 1 | 1 | N | | |
| 27- 2 | .SHAFT, propeller | * | 1 | 1 | 1 | * | | Not Sold Separately. (194210-13320) |
| 27- 2 | .SHAFT, propeller | 194210-13321-X | 1 | 1 | 1 | * | | |
| 27- 3 | .YOKE, sleeve | * | 1 | 1 | 1 | * | | Not Sold Separately. (194210-13350) |
| 27- 3 | .YOKE, sleeve | 194210-13351-X | 1 | 1 | 1 | * | S | |
| 27- 4 | .YOKE, flange | * | 1 | 1 | 1 | * | | Not Sold Separately. (194210-13360) |
| 27- 4 | .YOKE, flange | 194210-13361-X | 1 | 1 | 1 | * | S | |
| 27- 5 | .JOINT, cross | * | 2 | 2 | 2 | * | | Not Sold Separately. (194210-13370) |
| 27- 5 | .JOINT, cross | 194210-13371-X | 2 | 2 | 2 | * | S | |
| 27- 6 | .NEEDLE BEARING | * | 8 | 8 | 8 | * | | Not Sold Separately. (194210-13380) |
| 27- 6 | .NEEDLE BEARING | * | 8 | 8 | 8 | * | S | Not Sold Separately. (194210-13381) |
| 27- 7 | .SNAP RING 20 | * | 8 | 8 | 10 | W | | Not Sold Separately. (22252-000200) |
| 27- 8 | SPRING WASHER 8 | 22217-080000 | 4 | 4 | 4 | Z | | |
| 27- 9 | COVER, propeller shaft, complete | 194210-13410 | 1 | 1 | 1 | | | |
| 27- 9 | COVER, propeller shaft, complete | 194210-13410-X | 1 | 1 | 1 | N | | |
| 27- 10 | COVER, propeller shaft | 194210-13420 | 1 | 1 | 1 | | | |
| 27- 10 | COVER, propeller shaft | 194210-13420-X | 1 | 1 | 1 | N | | |
| 27- 11 | BOLT M6 x 10 | 26116-060102 | 4 | 4 | 10 | | | |
| 27- 11 | BOLT M6 x 10 | 26013-060129 | 4 | 4 | 10 | N | | |
| 27- 12 | SPRING WASHER 6 | 22217-060000 | 4 | 4 | 4 | Z | | |
| 27- 13 | RUBBER (A), setting | 194210-13430 | 1 | 1 | 1 | | | |
| 27- 13 | RUBBER (A), setting | 194212-14650 | 1 | 1 | 1 | S | | |
| 27- 14 | BAND, hose | 194210-13490 | 1 | 1 | 10 | | | YM155D-T/#57457 |

Fig. 27 FRONT AXLE INTERIOR (YM155D, YM135D)

| Refer. No. | Description | Part No. | Q'ty/Unit | | | Sales Unit | Inter-changeability | Design-change Mark | Remarks | |
|------------|---|--------------|-----------|--------|-------|------------|---------------------|------------------------------------|---------|--------|
| | | | YM155 | YM155D | YM135 | | | | | YM135D |
| | | | | | | | | | | |
| | BAND, hose | 23010-115000 | 1 | | 10 | S | | | | |
| 27- 15 | CLAMP | 23010-100000 | 1 | 1 | 10 | | | | | |
| | CLAMP | 23010-105000 | 1 | | 10 | S | | | | |
| 27- 16 | RUBBER (B), setting | 194210-13440 | 1 | 1 | | Z | [4] | Interchangeable by set with 27-22. | | |
| 27- 17 | SUPPORTER (A), propeller shaft cover | 194210-13451 | 1 | 1 | | Z | | | | |
| 27- 18 | BOLT M8 x 10 | 26116-080102 | 1 | 1 | 10 | Z | | | | |
| 27- 19 | SPRING WASHER 8 | 22217-080000 | 1 | 1 | 10 | Z | | YM155D-T/#57457 | | |
| 27- 20 | BOLT M6 x 16 | 26116-060162 | 4 | 4 | 10 | Z | | | | |
| 27- 21 | SPRING WASHER 6 | 22217-060000 | 4 | 4 | 10 | Z | | | | |
| 27- 22 | SUPPORTER (B), propeller shaft cover | 194210-13460 | 1 | 1 | | | | | | |
| | SUPPORTER (B), propeller shaft cover | 194210-13461 | 1 | 1 | | F | [4] | Interchangeable by set with 27-16. | | |
| | SUPPORTER (B), propeller shaft cover | 194210-13461 | 1 | 1 | | Z | [5] | | | |
| 27- 23 | BOLT M8 x 16 | 26116-080162 | 4 | 4 | 10 | | | | | |
| | BOLT M8 x 16 | 26116-080162 | 4 | 4 | | Z | [5] | | | |
| 27- 24 | SPRING WASHER 8 | 22217-080000 | 4 | 4 | 10 | | | | | |
| | SPRING WASHER 8 | 22217-080000 | 4 | 4 | | Z | [5] | | | |
| 27- 25 | SHAFT, spiral pinion | 194210-14100 | 1 | 1 | | | | | | |
| 27- 26 | BALL BEARING 6305 | 24101-063054 | 1 | 1 | | | | | | |
| 27- 27 | CIRCLIP 25-S | 22242-000250 | 1 | 1 | 10 | | | | | |
| 27- 28 | CIRCLIP 52-H | 22252-000520 | 1 | 1 | 10 | | | | | |

Fig. 27 FRONT AXLE INTERIOR (YM155D, YM135D)

| Refer. No. | Description | Part No. | Q'ty/Unit | | | | Sales Unit | Inter-changeability | Design-change Mark | Remarks |
|------------|--|----------------|-----------|--------|-------|--------|------------|---------------------|----------------------|---------|
| | | | YM155 | YM155D | YM135 | YM135D | | | | |
| | | | | | | | | | | |
| 27- 29 | BALL BEARING 6304 | 24101-063044 | 1 | | 1 | | | | | |
| 27- 30 | OIL SEAL TC30 45 8 | 194210-13590 | 1 | | 10 | | | | | |
| 27- 31 | O-RING 20-P | 24311-000200 | 1 | | 10 | | | | | |
| 27- 32 | FLANGE, universal | 194210-14121 | 1 | | 10 | | | | | |
| | FLANGE, universal | 194210-14121-X | 1 | 1 | | | N | | | |
| 27- 33 | LOCK PLATE | 194200-14160 | 1 | 1 | | | | | | |
| 27- 34 | WASHER, lock plate 31d x 3.2w | 194200-14171 | 1 | 1 | | | | | | |
| 27- 35 | BOLT M8 x 16 | 26116-080162 | 1 | 1 | 10 | | | | | |
| 27- 36 | HOUSING ASS'Y, differential | 794200-31550 | 1 | 1 | | | | | | |
| | HOUSING ASS'Y, differential | 794200-31551 | 1 | 1 | | | N | | In common with 28-1. | |
| 27- 37 | .HOUSING, differential 14id | * | 1 | 1 | | | | \$ | Not Sold Separately. | |
| | .HOUSING, differential 15id | * | 1 | 1 | | S | | \$ | Not Sold Separately. | |
| 27- 38 | .PINION 10, differential 14id | * | 2 | 2 | | | | | (194200-31751) | |
| | .PINION 10, differential 15id | * | 2 | 2 | | S | | \$ | Not Sold Separately. | |
| 27- 39 | .SHAFT, differential pinion 14d x 85L | * | 1 | 1 | | | | | (194200-31811) | |
| | .SHAFT, differential pinion 15d x 87L | * | 1 | 1 | | S | | \$ | Not Sold Separately. | |
| 27- 40 | .GEAR 14, differential side 51.49d | * | 2 | 2 | | | | | (194200-31821) | |
| | .GEAR 14, differential side 56.26d | * | 2 | 2 | | S | | \$ | Not Sold Separately. | |
| | \$: Change effective units YM155D - from No. 51482 YM135D - from No. 51101 | | | | | | | | | |

Fig. 27 FRONT AXLE INTERIOR (YM155D, YM135D)

| Refer. No. | Description | Part No. | Qty/Unit | | | Sales Unit | Inter-change ability | Design-change Mark | Remarks |
|------------|------------------------------------|--------------|----------|--------|-------|------------|----------------------|---|---------|
| | | | YM155 | YM155D | YM135 | | | | |
| 27- 41 | .SPACER 0.9, differential gear 42d | 194200-31850 | - | - | - | 10 | | | |
| | .SPACER 0.9, differential gear 49d | 194200-31851 | - | - | - | 10 | S | \$ | |
| 27- 42 | .SPACER 1.0, differential gear 42d | 194200-31860 | - | - | - | 10 | | | |
| | .SPACER 1.0, differential gear 49d | 194200-31861 | - | - | - | 10 | S | \$ | |
| 27- 43 | .SPACER 1.1, differential gear 42d | 194200-31870 | - | - | - | 10 | | Selective | |
| | .SPACER 1.1, differential gear 49d | 194200-31871 | - | - | - | 10 | S | | \$ |
| 27- 44 | .SPACER 1.2, differential gear 42d | 194200-31880 | - | - | - | 10 | | | |
| | .SPACER 1.2, differential gear 49d | 194200-31881 | - | - | - | 10 | S | \$ | |
| 27- 45 | .THRUST COLLAR, differential 14id | 194200-31900 | 1 | 1 | | | | | |
| | .THRUST COLLAR, differential 15id | 194200-31901 | 1 | 1 | | | S | \$ | |
| 27- 46 | .LINER 22.5 x 30 x 1 | 194200-31910 | 2 | 2 | | | | | |
| 27- 47 | .PIN 4, differential lock | 194200-31940 | 1 | 1 | 10 | | | | |
| 27- 48 | .LINER, differential pinion | * | 2 | 2 | | | W | {1} In common with 28-63. Not Sold Separately. (194200-31931) | |
| 27- 49 | BOLT M8 x 18 | 26116-080186 | 8 | 8 | 10 | | | | |
| | SEAL BOLT M8 x 18 | 194201-32150 | 8 | 8 | 10 | | N | {5} | |
| 27- 50 | WIRE 0.8 x 180 | 194200-32110 | 1 | 1 | 10 | | | | |
| | WIRE 0.8 x 180 | 194200-32110 | 1 | 1 | 10 | | Z | {5} | |
| 27- 51 | SHIM 72 x 0.1 | 194200-32330 | - | - | - | 10 | | Selective | |
| 27- 52 | SHIM 72 x 0.3 | 194200-32340 | - | - | - | 10 | | | |

\$: Change effective units
 YM155D - from No. 51482
 YM135D - from No. 51101

Fig. 27 FRONT AXLE INTERIOR (YM155D, YM135D)

| Refer. No. | Description | Part No. | Qty/Unit | | | Sales Unit | Inter-change ability | Design-change Mark | Remarks |
|------------|-----------------------------------|--------------|----------|--------|-------|------------|----------------------|--------------------|---------|
| | | | YM155 | YM155D | YM135 | | | | |
| 27- 53 | BALL BEARING 6207 | 24101-062074 | 2 | | | 2 | | | |
| 27- 54 | CIRCLIP 30-S | 22242-000300 | 2 | | | 2 | 10 | | |
| 27- 55 | SHAFT, front driving 30d x 245.8L | 194341-14200 | 2 | | | | | | |
| | SHAFT, front driving 30d x 230L | 194390-14200 | | | | 2 | | | |
| | SHAFT, front driving 30d x 230L | 194391-14200 | | | | 2 | | N {1} | |
| | SHAFT, front driving 30d x 229.3L | 194341-14201 | 2 | | | 2 | | S {4} | |
| 27- 56 | RING 25, circular | 194210-14210 | 2 | | | 2 | | | |
| 27- 57 | BALL BEARING 6305 | 24101-063054 | 2 | | | 2 | | | |
| 27- 58 | BEVEL GEAR 14 60d x 30.5L | 194210-14230 | 2 | | | 2 | | | |
| | BEVEL GEAR 14 64d x 33L | 194341-14230 | 2 | | | 2 | | S {4} | |
| 27- 59 | BEVEL GEAR, king pin 73d | 194210-14251 | 2 | | | 2 | | | |
| | BEVEL GEAR, king pin 111d | 194341-14250 | 2 | | | 2 | | S {4} | |
| 27- 60 | NEEDLE BEARING 29 x 33 x 16 | 194210-14260 | 4 | | | 4 | | | |
| | NEEDLE BEARING KT25 x 31 x 20 | 194341-14260 | 4 | | | 4 | | S {4} | |
| 27- 61 | INNER COLLAR 22 x 28 x 33 | 194210-14270 | 2 | | | 2 | | Z {4} | |
| 27- 62 | LINER 22 x 41 x 2.3 | 194210-14280 | 4 | | | 4 | | Z {4} | |
| 27- 63 | SHIM 0.1, king pin | 194210-14290 | - | | | - | 10 | Z {4} | |
| 27- 64 | THRUST BEARING 51105 | 194210-14300 | 2 | | | 2 | | | |
| | THRUST BEARING 51105 | 194210-14300 | 4 | | | 4 | | K {4} | |
| 27- 65 | COLLAR 22 x 25 x 10 | 194210-14310 | 2 | | | 2 | 5 | Z {4} | |
| 27- 66 | LINER 22 x 34 x 1 | 194210-13960 | 2 | | | 2 | | Z {4} | |
| 27- 67 | O-RING 22-P | 24311-000220 | 2 | | | 2 | 10 | Z {4} | |
| 27- 68 | SHIM 22 x 34 x 0.5 | 194210-13970 | 2 | | | 2 | 10 | Z {4} | |
| 27- 69 | OIL SEAL TC40 62 12 6 | 1A1040-28810 | 2 | | | 2 | 10 | | |

Fig. 27 FRONT AXLE INTERIOR (YM155D, YM135D)

M E M O

| Refer. No. | Description | Part No. | Q'ty/Unit | | | Sales Unit | Inter-change ability | Design-change Mark | Remarks |
|------------|-------------------------|------------------------------------|-----------|--------|-------|------------|----------------------|--------------------|---------|
| | | | YM155 | YM155D | YM135 | | | | |
| 27- 70 | SEAL RING 35 x 42 x 17 | 194210-14400 194210- | 2 | 2 | | | | Misprint | |
| 27- 71 | LINER 30 x 42 x 2 | 194210-14410 | 2 | 2 | | | | | |
| 27- 72 | BEVEL GEAR 27 | 194210-14420 | 2 | 2 | | | | | |
| | BEVEL GEAR 20 | 194341-14420 | 2 | 2 | | S | [4] | | |
| 27- 73 | BALL BEARING 6305 | 24101-063054 | 2 | 2 | | Z | [4] | | |
| 27- 74 | BALL BEARING 6306 | 24101-063064 | 2 | 2 | | | | | |
| | BALL BEARING 6306 | 24101-063064 | 4 | 4 | | K | [4] | | |
| 27- 75 | GEAR 38, spiral ring | 194200-32100 | 1 | 1 | | | | | |
| 27- 76 | COLLAR 25 x 34 x 70.67 | 194341-13970 | 2 | 2 | | W | [4] | | |
| 27- 77 | COLLAR 30 x 38 x 13.5 | 194341-14430 | 2 | 2 | | W | [4] | | |
| 27- 78 | BALL BEARING 6205 | 24101-062054 | 2 | 2 | | W | [4] | | |
| | BALL BEARING 6205 | 24101-062050 | 2 | 2 | | N | | | |
| 27- 79 | COLLAR 30.5 x 45 x 9.5 | 194341-14480 | 2 | 2 | | W | [4] | | |
| 27- 80 | LINER 25.5 x 32 x 1 | 194341-14210 | 2 | 2 | 10 | W | [4] | | |
| 27- 81 | BALL BEARING 6205U | 24102-062054 | 2 | 2 | | W | [4] | | |
| 27- 82 | OIL SEAL, TC25 x 45 x 8 | 194341-14340 | 2 | 2 | 10 | W | [4] | | |
| 27- 83 | SHIM 30 x 40 x 0.1 | 195140-13700 | - | - | 10 | W | | Selective | |
| 27- 84 | SHIM 30 x 40 x 0.3 | 195140-13710 | - | - | 10 | W | | | |
| 27- 85 | SHIM 26 x 33 x 0.1 | 194341-14220 | - | - | 10 | W | | | |
| 27- 86 | SHIM 26 x 33 x 0.3 | 194341-14240 | - | - | 10 | W | | | |
| 27- 87 | BOLT M8 x 20 | 26116-080202 | 4 | 4 | 10 | | | | |
| | BOLT M8 x 20 | 26013-080202 | 4 | 4 | 10 | N | | | |

Fig. 28 STEERING SYSTEM (YM155, YM155D)

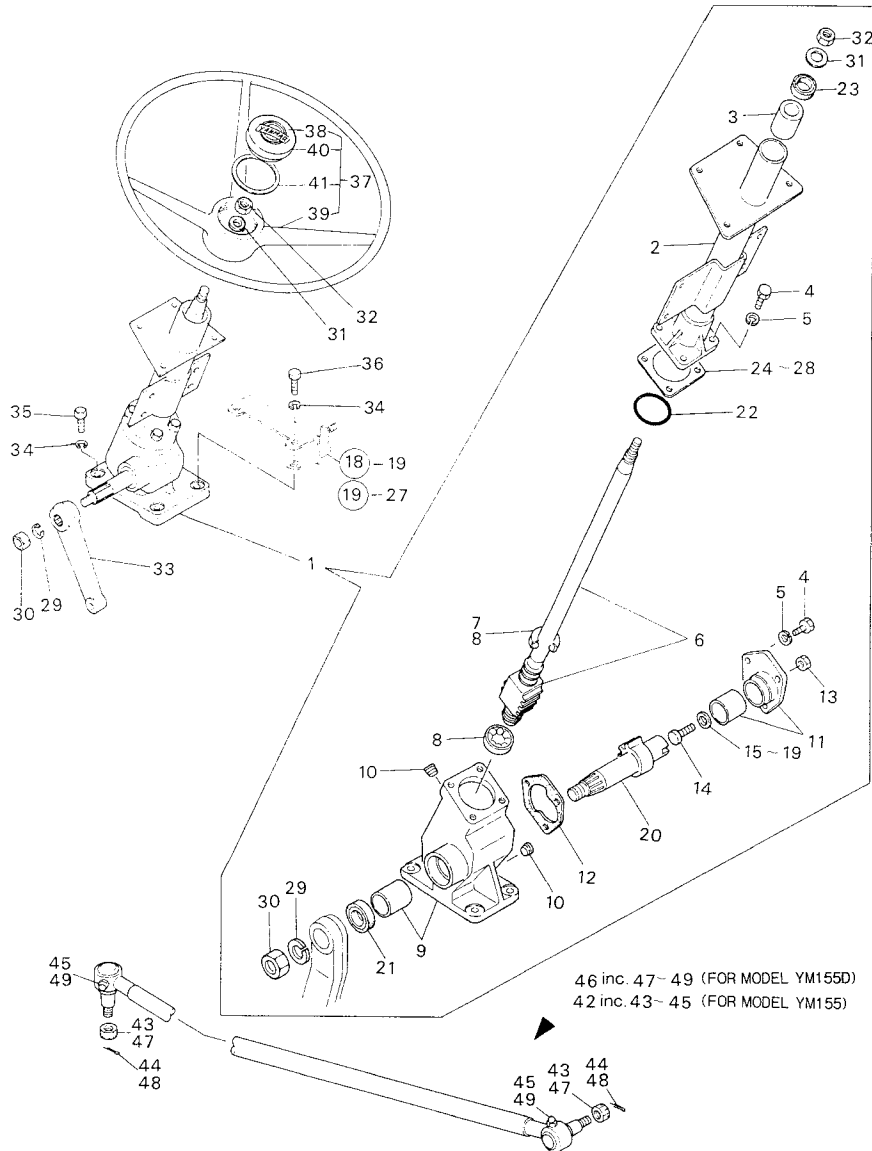


Fig. 28 STEERING SYSTEM (YM155, YM155D)

| Refer. No. | Description | Part No. | Qty/Unit | | | | Sales Unit | Interchangeability | Design-Mark | Remarks |
|------------|----------------------|----------------|----------|--------|-------|--------|------------|--------------------|-------------|---------|
| | | | YM155 | YM155D | YM155 | YM155D | | | | |
| 28- 1 | STEERING GEAR ASS'Y | 794200-15101-X | 1 | 1 | | | | | | |
| | STEERING GEAR ASS'Y | 794340-15100-X | 1 | 1 | | | | N | [4] | |
| 28- 2 | .COLUMN | 794200-15200-X | 1 | 1 | | | | | | |
| | .COLUMN | 194340-15200-X | 1 | 1 | | | | S | [4] | |
| 28- 3 | .BUSH, column | 194200-15311 | 1 | 1 | | | | | | |
| | .BUSH, column | 194340-15310 | 1 | 1 | | | | S | [4] | |
| 28- 4 | .BOLT, MS x 22 | 26116-080222 | 8 | 8 | | 10 | | | | |
| | .BOLT, MS x 22 | 26116-080222 | 7 | 7 | | 10 | | K | [4] | |
| 28- 5 | .SPRING WASHER 8 | 22217-080000 | 8 | 8 | | 10 | | | | |
| | .SPRING WASHER 8 | 22217-080000 | 7 | 7 | | 10 | | K | [4] | |
| 28- 6 | .BALL NUT COMP. | 794200-15500 | 1 | 1 | | | | | | |
| | .BALL NUT COMP. | 794340-15500 | 1 | 1 | | | | S | [4] | |
| 28- 7 | .BALL BEARING | 194200-15410 | 1 | 1 | | | | Z | | |
| 28- 8 | .BALL BEARING | 194200-15420 | 1 | 1 | | | | | | |
| | .BALL BEARING | 194750-15520 | 2 | 2 | | | | S | [4] | |
| 28- 9 | .BODY w/BUSH | 794200-15100-X | 1 | 1 | | | | | | |
| | .BODY w/BUSH | 794340-15110-X | 1 | 1 | | | | S | [4] | |
| 28- 10 | .PLUG | 194200-15170 | 1 | 1 | | | | | | |
| | .PLUG | 194262-15170-X | 2 | 2 | | | | S | [4] | |
| 28- 11 | .COVER, side | 794200-15150-X | 1 | 1 | | | | | | |
| | .COVER, side | 794340-15150-X | 1 | 1 | | | | S | [4] | |
| 28- 12 | .PACKING, side cover | 194200-15330 | 1 | 1 | | | | | | |
| | .PACKING, side cover | 194340-15330 | 1 | 1 | | | | S | [4] | |
| 28- 13 | .NUT M10, P=1.5 | 26716-100002 | 1 | 1 | | 10 | | | | |
| | .NUT M10, P=1.25 | 26776-100002 | 1 | 1 | | 10 | | S | [4] | |
| 28- 14 | .ADJUST SCREW | 194200-15470 | 1 | 1 | | | | | | |
| | .ADJUST SCREW | 194130-15470 | 1 | 1 | | | | S | [4] | |

Fig. 28 STEERING SYSTEM (YM155,YM155D)

| Refer. No. | Description | Part No. | Qty/Unit | | | Sales Unit | Inter-change ability | Design-change Mark | Remarks | |
|------------|---------------------|--------------|----------|--------|-------|------------|----------------------|--------------------|---------|--------|
| | | | YM155 | YM155D | YM155 | | | | | YM155D |
| | | | | | | | | | | |
| 28- 15 | .SHIM, adjust screw | 194200-15420 | 1 | 1 | | | | Misprint | | |
| | .SHIM, adjust screw | 194200-15390 | 1 | 1 | | N | | | | |
| | .SHIM, adjust screw | 194080-15420 | 1 | 1 | | S | [4] | | | |
| 28- 16 | .SHIM, adjust screw | 194200-15430 | 1 | 1 | | | | | | |
| | .SHIM, adjust screw | 194080-15430 | 1 | 1 | | S | [4] | | | |
| 28- 17 | .SHIM, adjust screw | 194200-15440 | 1 | 1 | | | | | | |
| | .SHIM, adjust screw | 194080-15440 | 1 | 1 | | S | [4] | | | |
| 28- 18 | .SHIM, adjust screw | 194080-15450 | 1 | 1 | | | | [4] | | |
| 28- 19 | .SHIM, adjust screw | 194080-15460 | 1 | 1 | | | | [4] | | |
| 28- 20 | .SHAFT, sector | 194200-15140 | 1 | 1 | | | | | | |
| | .SHAFT, sector | 194340-15140 | 1 | 1 | | S | [4] | | | |
| 28- 21 | .OIL SEAL | 194200-15220 | 1 | 1 | | | | | | |
| | .OIL SEAL | 194740-55620 | 1 | 1 | | S | [4] | | | |
| 28- 22 | .O-RING | 194340-15230 | 1 | 1 | | | | W [4] | | |
| 28- 23 | .OIL SEAL | 194340-15210 | 1 | 1 | | | | W [4] | | |
| 28- 24 | .SHIM | 194200-15250 | 1 | 1 | | | | | | |
| | .SHIM | 194750-15250 | 1 | 1 | | S | [4] | | | |
| 28- 25 | .SHIM | 194200-15260 | 1 | 1 | | | | | | |
| | .SHIM | 194750-15260 | 1 | 1 | | S | [4] | | | |
| 28- 26 | .SHIM | 194200-15270 | 1 | 1 | | | | | | |
| | .SHIM | 194750-15270 | 1 | 1 | | S | [4] | | | |
| 28- 27 | .SHIM | 194200-15280 | 1 | 1 | | | | | | |
| | .SHIM | 194750-15280 | 1 | 1 | | S | [4] | | | |
| 28- 28 | .SHIM | 194200-15290 | 1 | 1 | | | | | | |
| | .SHIM | 194750-15290 | 1 | 1 | | S | [4] | | | |
| 28- 29 | .SPRING WASHER 20 | 22217-200000 | 1 | 1 | 10 | | | | | |
| 28- 30 | .NUT M20 | 26776-200002 | 1 | 1 | 10 | | | | | |
| 28- 31 | .WASHER 14 | 22117-140000 | 1 | 1 | 10 | | | | | |
| 28- 32 | .NUT M14 | 26776-140002 | 1 | 1 | 10 | | | | | |

Fig. 28 STEERING SYSTEM (YM155,YM155D)

| Refer. No. | Description | Part No. | Qty/Unit | | | | Sales Unit | Inter-change ability | Design-change Mark | Remarks |
|------------|-------------------------|----------------|----------|--------|-------|--------|------------|----------------------|------------------------------------|---------|
| | | | YM155 | YM155D | YM155 | YM155D | | | | |
| | | | | | | | | | | |
| 28- 33 | ARM, pitman | 194200-15611 | 1 | 1 | | | | | | |
| | ARM, pitman | 194340-15610-X | 1 | 1 | | | F | [3] | Interchangeable by set with 28-45. | |
| | ARM, pitman | 194341-15610-X | | 1 | | | F | [5] | Interchangeable by set with 28-45. | |
| 28- 34 | SPRING WASHER 10 | 22217-100000 | 4 | 4 | 10 | | | | | |
| 28- 35 | BOLT M10 x 30 | 26116-100302 | 2 | 2 | 10 | | | | | |
| | BOLT M10 x 30 | 26013-100302 | 2 | 2 | 10 | N | | | | |
| 28- 36 | BOLT M10 x 40 | 26116-100402 | 2 | 2 | 10 | | | | | |
| | BOLT M10 x 40 | 26013-100402 | 2 | 2 | 10 | N | | | | |
| 28- 37 | STEERING WHEEL COMPLETE | 794200-15710 | 1 | 1 | | | | | | |
| 28- 38 | .LABEL, steering wheel | 194200-65100 | 1 | 1 | | | | | | |
| | .LABEL, steering wheel | 194345-65100 | 1 | 1 | | N | | | YM155 -T/#52260 YM155D-T/#57524 | |
| 28- 39 | .STEERING WHEEL | 194200-15730 | 1 | 1 | | | | | | |
| 28- 40 | .CAP, steering wheel | 194200-15740 | 1 | 1 | | | | | | |
| 28- 41 | .PACKING, wheel cap | 194200-15750 | 1 | 1 | | | | | | |
| 28- 42 | DRAG-ROD | 194200-16111 | 1 | | | | | | | |
| | DRAG-ROD | 194200-16111-X | 1 | | | | N | | | |
| | DRAG-ROD | 194340-16110-X | 1 | | | | F | [3] | Interchangeable by set with 23-34. | |
| 28- 43 | .CASTLE NUT M11 | 194730-57241 | 2 | | 10 | | | | | |
| 28- 44 | .COTTER PIN 3 x 25 | 22417-300250 | 2 | | 10 | | | | | |
| 28- 45 | .GREASE NIPPLE 1/4 | 194730-57411 | 2 | | 10 | | | | | |
| | .GREASE NIPPLE MT6x1 | 24761-060000 | 2 | | 10 | N | | | | |
| 28- 46 | DRAG-ROD | 194200-16111 | 1 | | | | | | | |
| | DRAG-ROD | 194200-16111-X | 1 | | | | N | | | |
| | DRAG-ROD | 194340-16110 | 1 | | | | F | [3] | Interchangeable by set with 23-34. | |
| | DRAG-ROD | 194341-16110-X | 1 | | | | F | [5] | do. | |
| 28- 47 | .CASTLE NUT M11 | 194730-57241 | 2 | | 10 | | | | | |
| 28- 48 | .COTTER PIN 3 x 25 | 22417-300250 | 2 | | 10 | | | | | |
| 28- 49 | .GREASE NIPPLE 1/4 | 194730-57411 | 2 | | 10 | | | | | |
| | .GREASE NIPPLE MT6x1 | 24761-060000 | 2 | | 10 | N | | | | |

Fig. 29 STEERING SYSTEM (YM135,YM135D)

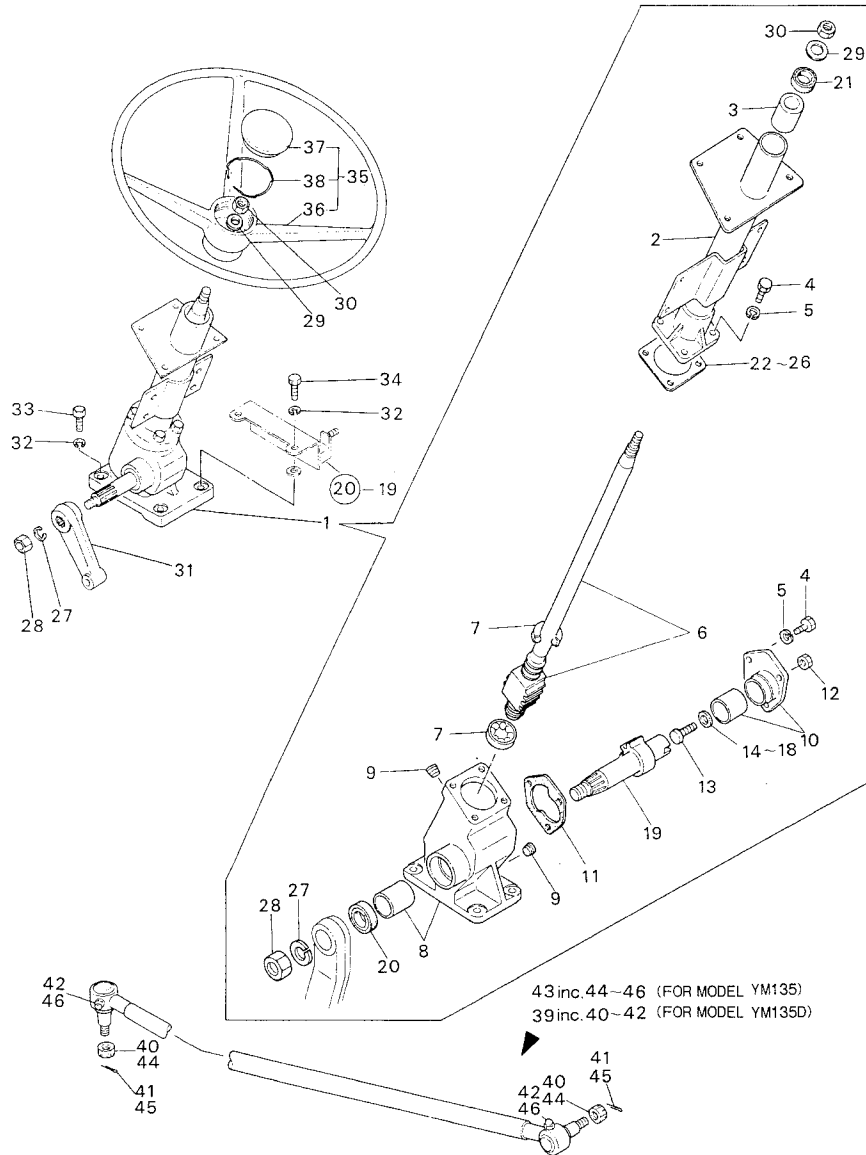


Fig. 29 STEERING SYSTEM (YM135,YM135D)

| Refer. No. | Description | Part No. | Qty/Unit | | | | Sales Unit | Inter-changeability | Design-change Mark | Remarks |
|------------|----------------------|-----------------------|----------|--------|-------|--------|------------|---------------------|--------------------|-----------|
| | | | YM135 | YM135D | YM135 | YM135D | | | | |
| 29- 1 | STEERING GEAR ASS'Y | 194262-15100-X | | | 1 | 1 | | | | |
| 29- 2 | .COLUMN | 194262-15200-X | | | 1 | 1 | | | | |
| 29- 3 | .BUSH, column | 194262-15310 | | | 1 | 1 | | | | |
| 29- 4 | .BOLT, M8 x 22 | 26116-080222 | | | 7 | 7 | 10 | | | |
| 29- 5 | .SPRING WASHER Ø | 22217-080000 | | | 7 | 7 | 10 | | | |
| 29- 6 | .BALL NUT COMP. | 794262-15500 | | | 1 | 1 | | | | |
| 29- 7 | .BALL BEARING | 194262-15520 | | | 2 | 2 | | | | |
| 29- 8 | .BODY w/BUSH | 794262-15110-X | | | 1 | 1 | | | | |
| 29- 9 | .PLUG | 194262-15170 | | | 2 | 2 | | | | |
| 29- 10 | .COVER, side | 194262-15150-X | | | 1 | 1 | | | | |
| 29- 11 | .PACKING, side cover | 194262-15330 | | | 1 | 1 | | | | |
| 29- 12 | .NUT M8, P=1.25 | 26756-080002 | | | 1 | 1 | 10 | | | |
| 29- 13 | .ADJUST SCREW | 194262-15470 | | | 1 | 1 | | | | |
| 29- 14 | .SHIM, adjust screw | 194262-15420 | | | 1 | 1 | | | | |
| 29- 15 | .SHIM, adjust screw | 194262-15430 | | | 1 | 1 | | | | |
| 29- 16 | .SHIM, adjust screw | 194262-15440 | | | 1 | 1 | | | | |
| 29- 17 | .SHIM, adjust screw | 194262-15450 | | | 1 | 1 | | | | |
| 29- 18 | .SHIM, adjust screw | 194262-15460 | | | 1 | 1 | | | | |
| 29- 19 | .SHAFT, sector | 194262-15140 15410 | | | 1 | 1 | | | | Misprint |
| 29- 20 | .OIL SEAL | 194262-15220 | | | 1 | 1 | | | | |
| 29- 21 | .OIL SEAL | 194262-15210 | | | 1 | 1 | | | | |
| 29- 22 | .SHIM | 194750-15250 | | | 1 | 1 | | | | |
| 29- 23 | .SHIM | 194750-15260 | | | 1 | 1 | | | | |
| 29- 24 | .SHIM | 194750-15270 | | | 1 | 1 | | | | |
| 29- 25 | .SHIM | 194750-15280 | | | 1 | 1 | | | | |
| 29- 26 | .SHIM | 194750-15290 | | | 1 | 1 | | w | [4] | Selective |

Fig. 29 STEERING SYSTEM (YM135, YM135D)

M E M O

| Refer. No. | Description | Part No. | Q'ty/Unit | | | Sales Unit | Inter-change ability | Design-change Mark | Remarks |
|------------|---------------------------|----------------|-----------|--------|-------|------------|----------------------|--------------------|------------------------------------|
| | | | YM155 | YM155D | YM135 | | | | |
| 29- 27 | .SPRING WASHER 16 | 22217-160000 | | 1 | 1 | 10 | | | |
| 29- 28 | .NUT M16 | 26776-160002 | | 1 | 1 | 10 | | | |
| 29- 29 | .WASHER 12 | 22222-120000 | | 1 | 1 | 10 | | | |
| 29- 30 | .NUT M12 | 26776-120002 | | 1 | 1 | 10 | | | |
| 29- 31 | ARM, pitman | 194262-15610-X | | 1 | 1 | | | | |
| | ARM, pitman | 194262-15611-X | | 1 | | | N | {1} | |
| | ARM, pitman | 194391-15610-X | | | 1 | | F | {4} | Interchangeable by set with 29-45. |
| 29- 32 | SPRING WASHER 10 | 22217-100000 | | 4 | 4 | 10 | | | |
| 29- 33 | BOLT M10 x 30 | 26116-100302 | | 2 | 2 | 10 | | | |
| 29- 34 | BOLT M10 x 40 | 26116-100402 | | 2 | 2 | 10 | | | |
| 29- 35 | STEERING WHEEL COMPLETE | 794262-15710 | | 1 | 1 | | | | |
| 29- 36 | .STEERING WHEEL | 194262-15730 | | 1 | 1 | | | | |
| 29- 37 | .CAP, steering wheel | 194262-15740 | | 1 | 1 | | | | |
| 29- 38 | .LOCKING, spring retainer | 194262-15750 | | 1 | 1 | | | | |
| 29- 39 | DRAG-ROD | 194262-16110 | | | 1 | | | | |
| | DRAG-ROD | 194262-16110-X | | | 1 | | N | | |
| 29- 40 | .CASTLE NUT M11 | 194730-57241 | | 2 | 10 | | | | |
| 29- 41 | .COTTER PIN 3 x 25 | 22417-300250 | | 2 | 10 | | | | |
| 29- 42 | .GREASE NIPPLE 1/4 | 194730-57411 | | 2 | 10 | | | | |
| | .GREASE NIPPLE MT6x1 | 24761-060000 | | 2 | 10 | | N | | |
| 29- 43 | DRAG-ROD | 194200-16111 | | 1 | | | | | |
| | DRAG-ROD | 194200-16111-X | | 1 | | | N | | |
| | DRAG-ROD | 194340-16110-X | | 1 | | | F | {4} | |
| 29- 44 | .CASTLE NUT M11 | 194730-57241 | | 2 | 10 | | | | |
| 29- 45 | .COTTER PIN 3 x 25 | 22417-300250 | | 2 | 10 | | | | |
| 29- 46 | .GREASE NIPPLE 1/4 | 194730-57411 | | 2 | 10 | | | | |
| | .GREASE NIPPLE MT6x1 | 24761-060000 | | 2 | 10 | | N | | |

Fig. 30 CLUTCH (EXCEPT FRANCE & PORTUGAL) [YM155, YM155D]

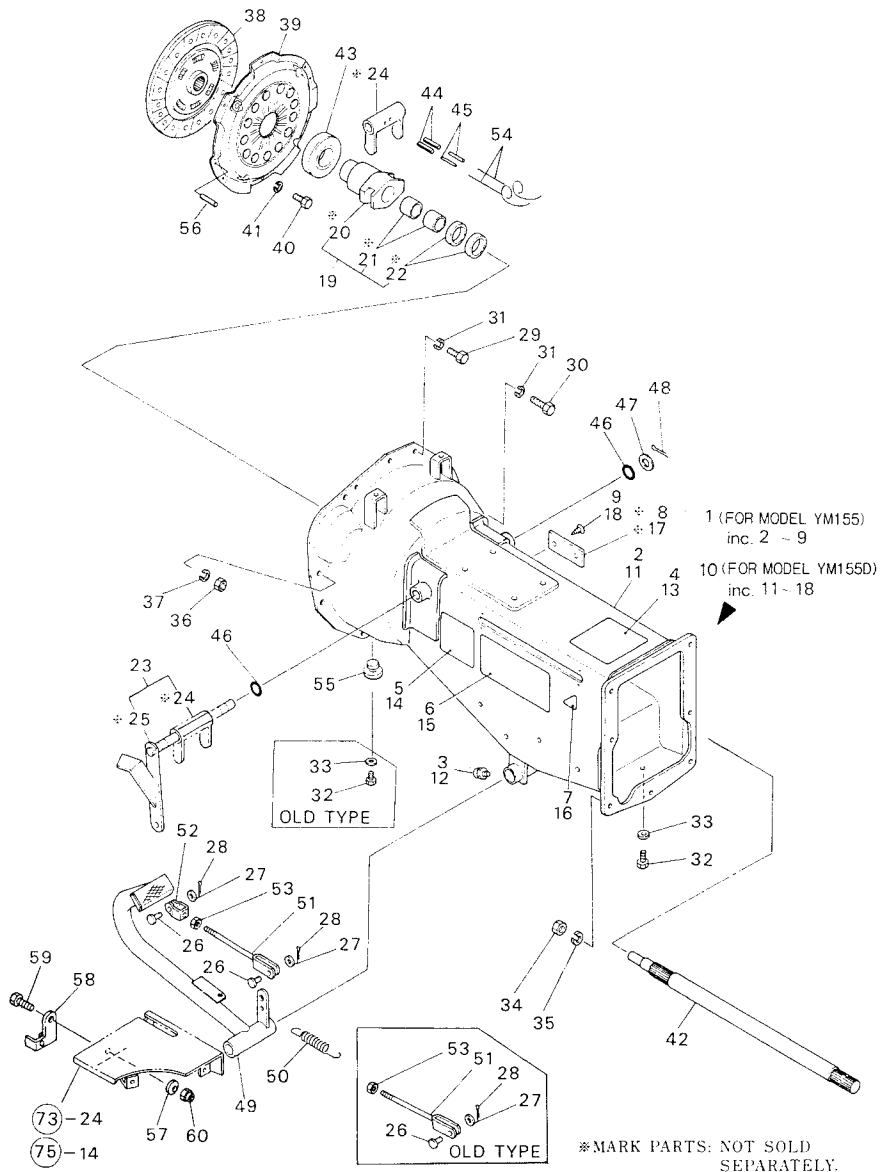


Fig. 30 CLUTCH (EXCEPT FRANCE & PORTUGAL) [YM155, YM155D]

| Refer. No. | Description | Part No. | Qty/Unit | | | Sales Unit | Inter-changeability | Design-change Mark | Remarks |
|------------|------------------------------------|----------------|----------|--------|-------|------------|---------------------|--------------------|-----------------------|
| | | | YM155 | YM155D | YM135 | | | | |
| 30- 1 | HOUSING ASS'Y, clutch | 794340-21000-X | 1 | | | | | | |
| | HOUSING ASS'Y, clutch | 794340-21001-X | 1 | | | | F | [5] | |
| 30- 2 | .HOUSING, complete, clutch | 194200-21102-X | 1 | | | | F | [5] | |
| | .HOUSING, complete, clutch | 194200-21003-X | 1 | | | | | | |
| 30- 3 | .GREASE NIPPLE A-M6F | 24761-010000 | 1 | | | | N | | |
| | .GREASE NIPPLE A-PT6F | 24764-010000 | 1 | | | | | | |
| 30- 4 | .LABEL, tractor model | 194340-65151 | 1 | | | | N | | YM155 from No. 51375 |
| | .LABEL, tractor model | 194340-65152 | 1 | | | | Z | | |
| | .LABEL, tractor model | 194340-65152 | 1 | | | | Z | | |
| 30- 5 | .LABEL, tractor oiling instruction | 194340-65320 | 1 | | | | Z | | |
| 30- 6 | .LABEL, handling instruction | 194340-65200 | 1 | | | | Z | | |
| 30- 7 | .LABEL, caution | 194240-65720 | 1 | | | | W | [3] | |
| | .LABEL, caution | 194240-65720 | 1 | | | | Z | | |
| 30- 8 | .LABEL, tractor No. | * | 1 | | | | W | | YM155 from No. 51375 |
| | .LABEL, tractor No. | * | 1 | | | | Z | | |
| 30- 9 | .SCREW 4 x 10, tapping | 22857-400100 | 2 | | | | W | | |
| 30- 10 | HOUSING ASS'Y, clutch | 794241-21000 | 1 | | | | N | [1] | |
| | HOUSING ASS'Y, clutch | 794341-21000-X | 1 | | | | | | |
| 30- 11 | .HOUSING, complete, clutch | 194210-21103-X | 1 | | | | F | [5] | |
| | .HOUSING, complete, clutch | 194210-21104-X | 1 | | | | | | |
| 30- 12 | .GREASE NIPPLE A-M6F | 24761-010000 | 1 | | | | N | | |
| | .GREASE NIPPLE A-PT6F | 24764-010000 | 1 | | | | | | |
| 30- 13 | .LABEL, tractor model | 194341-65151 | 1 | | | | N | | YM155D from No. 52536 |
| | .LABEL, tractor model | 194341-65152 | 1 | | | | Z | | |
| | .LABEL, tractor model | 194341-65152 | 1 | | | | Z | | |
| 30- 14 | .LABEL, tractor oiling instruction | 194341-65320 | 1 | | | | Z | | |

Fig. 30 CLUTCH (EXCEPT FRANCE & PORTUGAL) [YM155,YM155D]

| Refer. No. | Description | Part No. | Q'ty/Unit | | | | Sales Unit | Inter-change ability | Design-change Mark | Remarks |
|------------|------------------------------|--------------|-----------|--------|-------|--------|------------|----------------------|--|---------|
| | | | YM155 | YM155D | YM135 | YM135D | | | | |
| 30- 15 | .LABEL, handling instruction | 194340-65200 | | 1 | | | | Z | | |
| 30- 16 | .LABEL, caution | 194240-65720 | | 1 | | | | W [3] | | |
| | .LABEL, caution | 194240-65720 | | 1 | | | | Z | | |
| 30- 17 | .LABEL, tractor No. | * | | 1 | | | | W | YM155D from No. 52536 | |
| | .LABEL, tractor No. | * | | 1 | | | | Z | | |
| 30- 18 | .SCREW 4 x 10, tapping | 22857-400100 | | 2 | | | | W | | |
| 30- 19 | BEARING SLEEVE ASS'Y | 794200-22050 | 1 | 1 | | | | W [3] | | |
| 30- 20 | .BEARING SLEEVE | 194200-22150 | 1 | 1 | | | * | Z | | |
| | .BEARING SLEEVE | * | 1 | 1 | | | * | F [3] | Not Sold Separately. (194200-22150) | |
| 30- 21 | .METAL 22 x 25 x 20 | 194200-22170 | 1 | 1 | | | | Z | | |
| | .METAL 22.4 x 28 x 22.4 | * | 2 | 2 | | | * | F&K [3] | Not Sold Separately. (194150-22160) | |
| | .METAL 22.4 x 28 x 22.4 | * | 2 | 2 | | | * | N | Not Sold Separately. (194150-22160) YM155 - from No. 51264 YM155D - from No. 51968 | |
| 30- 22 | .FELT, clutch release | 194200-22190 | 1 | 1 | | | * | Z | | |
| | .FELT, clutch release | * | 2 | 2 | | | * | F&K [3] | Not Sold Separately. (194200-22191) | |
| 30- 23 | CLUTCH RELEASE SHAFT ASS'Y | 794340-22100 | 1 | 1 | | | | W [3] | | |
| 30- 24 | .FORK, clutch shift | 194200-22310 | 1 | 1 | | | | Z | | |
| | .FORK, clutch shift | * | 1 | 1 | | | * | F [3] | Not Sold Separately. (194200-22311) | |
| 30- 25 | .SHAFT, clutch release | 194340-22330 | 1 | 1 | | | * | Z | | |
| | .SHAFT, clutch release | * | 1 | 1 | | | * | F [3] | Not Sold Separately. (194340-22331) | |
| 30- 26 | PIN 8 x 17.5 | 194200-37800 | 2 | 2 | | | | | | |
| 30- 27 | WASHER 8, plain | 22117-080000 | 2 | 2 | | 10 | | | | |
| 30- 28 | COTTER PIN 2 x 15 | 22417-200150 | 2 | 2 | | 10 | | | | |
| 30- 29 | BOLT M8 x 16 | 26116-080162 | 6 | 6 | | 10 | | | | |
| | BOLT M8 x 16 | 26013-080162 | 6 | 6 | | 10 | N | | | |
| 30- 30 | BOLT M8 x 20 | 26116-080202 | 1 | 1 | | 10 | | | | |
| | BOLT M8 x 20 | 26013-080162 | 1 | 1 | | 10 | N | | | |
| 30- 31 | SPRING WASHER 8 | 22217-080000 | 7 | 7 | | 10 | | Z | | |

Fig. 30 CLUTCH (EXCEPT FRANCE & PORTUGAL) [YM155,YM155D]

| Refer. No. | Description | Part No. | Q'ty/Unit | | | | Sales Unit | Inter-change ability | Design-change Mark | Remarks |
|------------|------------------------------|--------------|-----------|--------|-------|--------|------------|----------------------|------------------------------------|---------|
| | | | YM155 | YM155D | YM135 | YM135D | | | | |
| 30- 32 | BOLT M6 x 10 | 26116-060102 | 2 | 1 | | | 10 | | | |
| | BOLT M6 x 10 | 26116-060102 | 1 | | | | | K | [5] | |
| 30- 33 | WASHER 6, plain | 22117-060000 | 2 | 1 | | | 10 | | | |
| | WASHER 6, plain | 22117-060000 | 1 | | | | | K | [5] | |
| 30- 34 | NUT M12 | 26716-120002 | 7 | 7 | | | 10 | | | |
| 30- 35 | SPRING WASHER 12 | 22217-120000 | 7 | 7 | | | 10 | | | |
| 30- 36 | NUT M10 | 26736-100002 | 2 | 2 | | | 10 | | | |
| | NUT M10 | 26716-100002 | 2 | 2 | | | | S | YM155 -T/#52028 YM155D-T/#56405 | |
| 30- 37 | SPRING WASHER 10 | 22217-100000 | 2 | 2 | | | | | | |
| 30- 38 | CLUTCH DISK ASS'Y | 794200-21400 | 1 | 1 | | | | | | |
| | CLUTCH DISK ASS'Y | 194340-21400 | 1 | 1 | | | | N | [5] | |
| | CLUTCH DISK ASS'Y | 194340-21410 | 1 | 1 | | | | N | YM155 -T/#52182 YM155D-T/#57428 | |
| 30- 39 | PRESSURE PLATE ASS'Y | 794200-21700 | 1 | 1 | | | | | | |
| | PRESSURE PLATE ASS'Y | 194340-21700 | 1 | 1 | | | | N | [5] | |
| 30- 40 | BOLT M8 x 20 | 26116-080202 | 6 | 6 | | | 10 | | | |
| | BOLT M8 x 20 | 26013-080202 | 6 | 6 | | | 10 | N | | |
| 30- 41 | SPRING WASHER 8 | 22217-080000 | 6 | 6 | | | 10 | | | |
| 30- 42 | SHAFT, main driving 22dx442L | 194200-22110 | 1 | 1 | | | | | | |
| 30- 43 | BEARING, clutch release | 194200-22180 | 1 | 1 | | | | | | |
| 30- 44 | SPRING PIN .5 x 28 | 22351-050028 | 1 | 1 | | | 10 | | | |
| | SPRING PIN 5 x 28 | 22351-050028 | 2 | 2 | | | 10 | K | [3] | |
| 30- 45 | SPRING PIN 3 x 28 | 22351-030028 | 1 | 1 | | | 10 | | | |
| | SPRING PIN 3 x 28 | 22351-03028 | 2 | 2 | | | 10 | K | [3] | |
| 30- 46 | O-RING 14-P | 24311-000140 | 2 | 2 | | | 10 | | | |
| 30- 47 | WASHER 14, plain | 22117-140000 | 1 | 1 | | | 10 | | | |
| 30- 48 | COTTER PIN 3 x 25 | 22417-300250 | 1 | 1 | | | 10 | | | |
| 30- 49 | CLUTCH PEDAL | 194200-22410 | 1 | 1 | | | | | | |
| 30- 50 | SPRING, brake pedal return | 194200-37510 | 1 | 1 | | | | | | |
| 30- 51 | ROD, clutch | 194200-22460 | 1 | 1 | | | | | | |
| | ROD, clutch | 194340-22460 | 1 | 1 | | | | N | [5] | |
| 30- 52 | JOINT (B), clutch rod | 194200-22490 | 1 | 1 | | | | | | |

Fig. 30 CLUTCH (EXCEPT FRANCE & PORTUGAL) [YM155, YM155D]

M E M O

| Refer. No. | Description | Part No. | Qty/Unit | | | Sales Unit | Inter-change ability | Design-change Mark | Remarks |
|------------|-----------------|--------------|----------|--------|-------|------------|----------------------|--------------------|---------|
| | | | YM155 | YM155D | YM155 | | | | |
| 30- 53 | LOCK NUT M10 | 26756-100002 | 1 | 1 | | 10 | | | |
| 30- 54 | WIRE 0.9 x 140 | 194200-22380 | 2 | 2 | | | w | | |
| 30- 55 | CAP 20, rubber | 194300-21450 | 1 | 1 | | | w | [5] | |
| 30- 56 | SPRING PIN 8x16 | 22351-080016 | 2 | 2 | | 10 | w | | |
| 30- 57 | SPRING WASHER 8 | 194200-37390 | 1 | 1 | | | w | | |
| 30- 58 | PLATE, lock | 194340-62810 | 1 | 1 | | | w | | |
| 30- 59 | BOLT M 8x 20 | 26116-080202 | 1 | 1 | | 10 | w | | |
| 30- 60 | U-NUT M 8 | 26346-080002 | 1 | 1 | | 10 | w | | |

Fig. 31 CLUTCH (FRANCE & PORTUGAL) [YM155, YM155D]

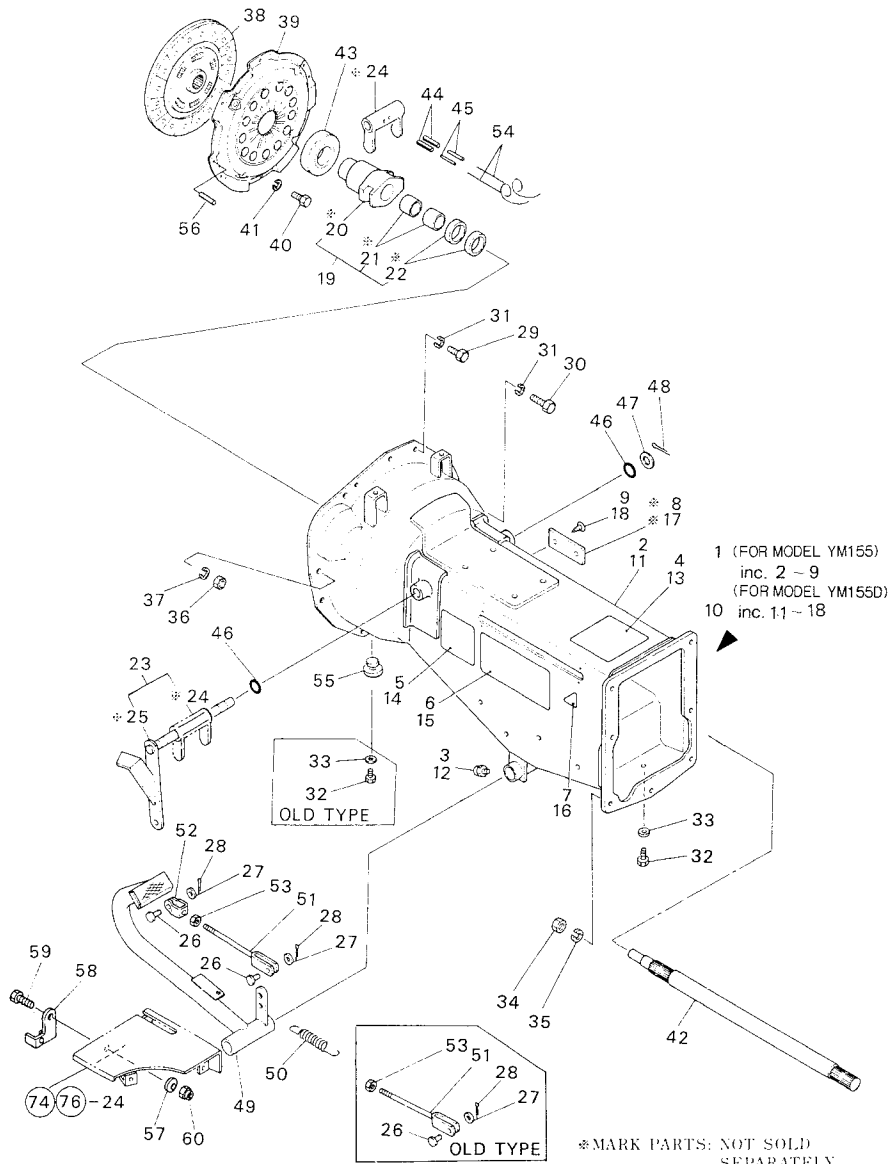


Fig. 31 CLUTCH (FRANCE & PORTUGAL) [YM155, YM155D]

| Refer. No. | Description | Part No. | Qty/Unit | | | Interchangeability | Design Change Mark | Remarks |
|------------|------------------------------------|----------------|----------|--------|-------|--------------------|--------------------|-----------------------|
| | | | YM155 | YM155D | YM155 | | | |
| 31- 1 | HOUSING ASS'Y, clutch | 794340-21000-X | 1 | | | | | |
| | HOUSING ASS'Y, clutch | 794340-21001-X | 1 | | | F | [5] | |
| 31- 2 | .HOUSING, complete, clutch | 194200-21102-X | 1 | | | F | [5] | |
| | .HOUSING, complete, clutch | 194200-21003-X | 1 | | | F | [5] | |
| | .HOUSING, complete, clutch | 194340-21110-X | 1 | | | N | | |
| 31- 3 | .GREASE NIPPLE A-M6F | 24751-010000 | 1 | | | N | | |
| | .GREASE NIPPLE A-PT6F | 24764-010000 | 1 | | | N | | |
| 31- 4 | .LABEL, tractor model | 194340-65151 | 1 | | | | | |
| | .LABEL, tractor model | 194340-65152 | 1 | | | N | | YM155 from No. 51375 |
| | .LABEL, tractor model | 194340-65152 | 1 | | | Z | | |
| 31- 5 | .LABEL, tractor oiling instruction | 194340-65320 | 1 | | | Z | | |
| 31- 6 | .LABEL, handling instruction | 194340-65200 | 1 | | | Z | | |
| 31- 7 | .LABEL, caution | 194240-65720 | 1 | | | W | [3] | |
| | .LABEL, caution | 194240-65720 | 1 | | | Z | | |
| 31- 8 | .LABEL, tractor No. | * | 1 | | | W | | |
| | .LABEL, tractor No. | * | 1 | | | Z | | |
| 31- 9 | .SCREW 4 x 10, tapping | 22857-400100 | 2 | | | W | | |
| 31- 10 | HOUSING ASS'Y, clutch | 794241-21000 | 1 | | | | | |
| | HOUSING ASS'Y, clutch | 794341-21000-X | 1 | | | N | [1] | |
| | HOUSING ASS'Y, clutch | 794341-21001-X | 1 | | | F | [5] | |
| 31- 11 | .HOUSING, complete, clutch | 194210-21103-X | 1 | | | F | [5] | |
| | .HOUSING, complete, clutch | 194210-21104-X | 1 | | | F | [5] | |
| | .HOUSING, complete, clutch | 194341-21110 | 1 | | | | | |
| 31- 12 | .GREASE NIPPLE A-M6F | 24761-010000 | 1 | | | | | |
| | .GREASE NIPPLE A-PT6F | 24764-010000 | 1 | | | N | | |
| 31- 13 | .LABEL, tractor model | 194341-65151 | 1 | | | | | |
| | .LABEL, tractor model | 194341-65152 | 1 | | | N | | YM155D from No. 52536 |
| | .LABEL, tractor model | 194341-65152 | 1 | | | Z | | |
| 31- 14 | .LABEL, tractor oiling instruction | 194341-65320 | 1 | | | Z | | |

Fig. 31 CLUTCH (FRANCE & PORTUGAL) [YM155, YM155D]

| Refer. No. | Description | Part No. | Qty/Unit | | | | Inter-change ability | Design-change Mark | Remarks |
|------------|------------------------------|--------------|----------|--------|-------|--------|----------------------|--|---------|
| | | | YM155 | YM155D | YM135 | YM135D | | | |
| 31- 15 | .LABEL, handling instruction | 194340-65200 | 1 | | | | Z | | |
| 31- 16 | .LABEL, caution | 194240-65720 | 1 | | | | Z | | |
| 31- 17 | .LABEL, tractor No. | * | 1 | | | | W | YM155D from No. 52536 | |
| | .LABEL, tractor No. | * | 1 | | | | Z | | |
| 31- 18 | .SCREW 4 x 10, tapping | 22857-400100 | 2 | | | | Z | | |
| 31- 19 | BEARING SLEEVE ASS'Y | 794200-22050 | 1 | 1 | | | W | [3] | |
| 31- 20 | .BEARING SLEEVE | 194200-22150 | 1 | 1 | | * | Z | | |
| | .BEARING SLEEVE | * | 1 | 1 | | * | F | [3] Not Sold Separately. (194200-22151) | |
| 31- 21 | .METAL 22 x 25 x 20 | 194200-22170 | 1 | 1 | | | Z | | |
| | .METAL 22.4 x 28 x 22.4 | * | 2 | 2 | | * | F&K | [3] Not Sold Separately. | |
| | .METAL 22.4 x 28 22.4 | * | 2 | 2 | | * | N | Not Sold Separately. (194150-22160) YM155 - from No. 51264 YM155D - from No. 51968 | |
| 31- 22 | .FELT, clutch release | 194200-22190 | 1 | 1 | | * | Z | | |
| | .FELT, clutch release | * | 2 | 2 | | * | F&K | [3] Not Sold Separately. (194200-22191) | |
| 31- 23 | CLUTCH RELEASE SHAFT ASS'Y | 794340-22100 | 1 | 1 | | | W | [3] | |
| 31- 24 | .FORK, clutch shift | 194200-22310 | 1 | 1 | | | Z | | |
| | .FORK, clutch shift | * | 1 | 1 | | * | F | [3] Not Sold Separately. (194200-22311) | |
| 31- 25 | .SHAFT, clutch release | 194340-22330 | 1 | 1 | | * | Z | | |
| | .SHAFT, clutch release | * | 1 | 1 | | * | F | [3] Not Sold Separately. (194340-22331) | |
| 31- 26 | PIN 8 x 17.5 | 194200-37800 | 2 | 2 | | | | | |
| 31- 27 | WASHER 8, plain | 22117-080000 | 2 | 2 | | 10 | | | |
| 31- 28 | COTTER PIN 2 x 15 | 22417-200150 | 2 | 2 | | 10 | | | |
| 31- 29 | BOLT M8 x 16 | 26116-080162 | 6 | 6 | | 10 | | | |
| | BOLT M8 x 16 | 26013-080162 | 6 | 6 | | 10 | N | | |
| 31- 30 | BOLT M8 x 20 | 26116-080202 | 1 | 1 | | 10 | | | |
| | BOLT M8 x 20 | 26013-080162 | 1 | 1 | | 10 | N | | |
| 31- 31 | SPRING WASHER 8 | 22217-080000 | 7 | 7 | | | Z | | |

Fig. 31 CLUTCH (FRANCE & PORTUGAL) [YM155, YM155D]

| Refer. No. | Description | Part No. | Qty/Unit | | | | Inter-change ability | Design-change Mark | Remarks |
|------------|--------------------------------|--------------|----------|--------|-------|--------|----------------------|-------------------------------|---------|
| | | | YM155 | YM155D | YM135 | YM135D | | | |
| 31- 32 | BOLT M6 x 10 | 26116-060102 | 2 | 1 | | | 10 | | |
| | BOLT M6 x 10 | 26116-060102 | 1 | | | | 10 | K [5] | |
| 31- 33 | WASHER 6, plain | 22117-060000 | 2 | 1 | | | 10 | | |
| | WASHER 6, plain | 22117-060000 | 1 | | | | 10 | K [5] | |
| 31- 34 | NUT M12 | 26716-120002 | 7 | 7 | | | 10 | | |
| 31- 35 | SPRING WASHER 12 | 22217-120000 | 7 | 7 | | | 10 | | |
| 31- 36 | NUT M10 | 26736-100002 | 2 | 2 | | | 10 | | |
| | NUT M10 | 26716-100002 | 2 | 2 | | | | S YM155-52028 YM155D-56405 | |
| 31- 37 | SPRING WASHER 10 | 22217-100000 | 2 | 2 | | | | | |
| 31- 38 | CLUTCH DISK ASS'Y | 794200-21400 | 1 | 1 | | | | | |
| | CLUTCH DISK ASS'Y | 194262-21400 | | | | | | N [1] | |
| | CLUTCH DISK ASS'Y | 194340-21400 | 1 | 1 | | | | N [5] | |
| | CLUTCH DISK ASS'Y | 194340-21410 | 1 | 1 | | | | N YM155-52182 YM155D-57428 | |
| 31- 39 | PRESSURE PLATE ASS'Y | 794200-21700 | 1 | 1 | | | | | |
| | PRESSURE PLATE ASS'Y | 194340-21700 | 1 | 1 | | | | N [5] | |
| 31- 40 | BOLT M8 x 20 | 26116-080202 | 6 | 6 | | | 10 | | |
| | BOLT M8 x 20 | 26013-080202 | 6 | 6 | | | 10 | N | |
| 31- 41 | SPRING WASHER 8 | 22217-080000 | 6 | 6 | | | | Z | |
| 31- 42 | SHAFT, main driving 22d x 442L | 194200-22110 | 1 | 1 | | | | | |
| 31- 43 | BEARING, clutch release | 194200-22180 | 1 | 1 | | | | | |
| 31- 44 | SPRING PIN 5 x 28 | 22351-050028 | 1 | 1 | | | 10 | | |
| | SPRING PIN 5 x 28 | 22351-050028 | 2 | 2 | | | 10 | K [3] | |
| 31- 45 | SPRING PIN 3 x 28 | 22351-030028 | 1 | 1 | | | 10 | | |
| | SPRING PIN 3 x 28 | 22351-03028 | 2 | 2 | | | 10 | K [3] | |
| 31- 46 | O-RING 14-P | 24311-000140 | 2 | 2 | | | 10 | | |
| 31- 47 | WASHER 14, plain | 22117-140000 | 1 | 1 | | | 10 | | |
| 31- 48 | COTTER PIN 3 x 25 | 22417-300250 | 1 | 1 | | | 10 | | |

Fig. 31 CLUTCH (FRANCE & PORTUGAL) [YM155, YM155D]

M E M O

| Refer. No. | Description | Part No. | Q'ty/Unit | | | | Sales Unit | Inter-change ability | Design-change Mark | Remarks |
|------------|----------------------------|--------------|-----------|--------|-------|--------|------------|----------------------|--------------------|---------|
| | | | YM155 | YM155D | YM135 | YM135D | | | | |
| 31- 49 | CLUTCH PEDAL | 194200-22410 | 1 | 1 | | | | | | |
| 31- 50 | SPRING, brake pedal return | 194200-37510 | 1 | 1 | | | | | | |
| 31- 51 | ROD, clutch | 194200-22460 | 1 | 1 | | | | | | |
| | ROD, clutch | 194340-22460 | 1 | 1 | | | N | [5] | | |
| 31- 52 | JOINT (B), clutch rod | 194200-22490 | 1 | 1 | | | | | | |
| 31- 53 | LOCK NUT M10 | 26756-100002 | 2 | 2 | | 10 | | | | |
| 31- 54 | WIRE 0.9 x 140 | 194200-22380 | 2 | 2 | | | W | | | |
| 31- 55 | CAP 20, rubber | 194300-21450 | 1 | 1 | | | W | [5] | | |
| 31- 56 | SPRING PIN 8x16 | 22351-080016 | 2 | 2 | | 10 | W | | | |
| 31- 57 | SPRING WASHER 8 | 194200-37390 | 1 | 1 | | | W | | | |
| 31- 58 | PLATE, lock | 194340-62810 | 1 | 1 | | | W | | | |
| 31- 59 | BOLT M 8x 20 | 26116-080202 | 1 | 1 | | 10 | W | | | |
| 31- 60 | U-NUT M 8 | 26346-080002 | 1 | 1 | | 10 | W | | | |

Fig. 32 CLUTCH (U.S.A.) [YM135,YM135D]

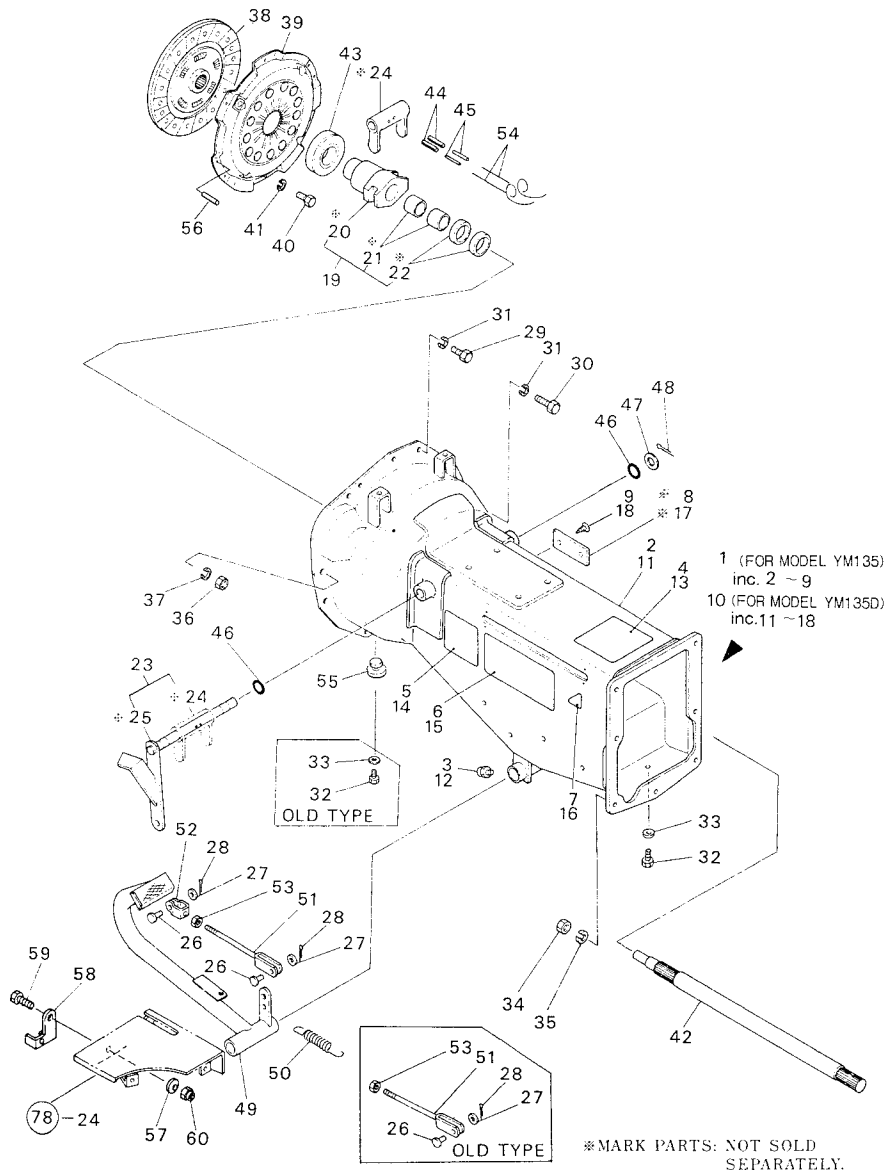


Fig. 32 CLUTCH (U.S.A.) [YM135,YM135D]

| Refer. No. | Description | Part No. | Qty/Unit | | | Interchangeability | Design-change Mark | Remarks |
|------------|-----------------------------------|----------------|----------|--------|-------|--------------------|--------------------|---|
| | | | YM135 | YM135D | YM135 | | | |
| 32- 1 | HOUSING ASS'Y, clutch | 794390-21000-X | | | 1 | | | |
| | HOUSING ASS'Y, clutch | 794390-21001-X | | | 1 | F | [5] | |
| 32- 2 | HOUSING, complete, clutch | 194200-21102-X | | | 1 | | | |
| | HOUSING, complete clutch | 194200-21003-X | | | 1 | F | [5] | |
| 32- 3 | GREASE NIPPLE A-M6F | 24761-010000 | | | 1 | | | |
| | GREASE NIPPLE A-PT6F | 24764-010000 | | | 1 | N | | |
| 32- 4 | LABEL, tractor model | 194390-65150 | | | 1 | | | |
| | LABEL, tractor model | 194340-65152 | | | 1 | N | | YM135 from No. 51173 |
| | LABEL, tractor model | 194340-65152 | | | 1 | Z | | |
| 32- 5 | LABEL, tractor oiling instruction | 194340-65320 | | | 1 | Z | | |
| 32- 6 | LABEL, handling instruction | 194390-65200 | | | 1 | Z | | |
| 32- 7 | LABEL, caution | 194240-65720 | | | 1 | W | [3] | |
| | LABEL, caution | 194240-65720 | | | 1 | Z | | |
| 32- 8 | LABEL, tractor No. | * | | | 1 | W | | YM135 - from No. 51173 YM135D - from No. 51209 |
| | LABEL, tractor No. | * | | | 1 | Z | | |
| 32- 9 | SCREW 4 x 10, tapping | 22857-400100 | | | 2 | W | | |
| | SCREW 4 x 10, tapping | 22857-400100 | | | 2 | Z | | |
| 32- 10 | HOUSING ASS'Y, clutch | 794391-21000-X | | | 1 | | | |
| | HOUSING ASS'Y, clutch | 794391-21001-X | | | 1 | F | [5] | Interchangeable by set with 32-55. |
| 32- 11 | HOUSING, complete, clutch | 194210-21103-X | | | 1 | | | |
| | HOUSING, complete, clutch | 194210-21104-X | | | 1 | F | [5] | |
| 32- 12 | GREASE NIPPLE A-M6F | 24761-010000 | | | 1 | | | |
| | GREASE NIPPLE A-PT6F | 24764-010000 | | | 1 | N | | |
| 32- 13 | LABEL, tractor model | 194391-65150 | | | 1 | | | |
| | LABEL, tractor model | 194341-65152 | | | 1 | N | | YM135D from No. 51209 |
| | LABEL, tractor model | 194341-65152 | | | 1 | Z | | |
| | LABEL, tractor oiling instruction | 194341-65320 | | | 1 | Z | | |

Fig. 32 CLUTCH (U.S.A.) [YM135, YM135D]

| Refer. No. | Description | Part No. | Q'ty/Unit | | | Sales Unit | Inter-changeability | Design-change Mark | Remarks |
|------------|------------------------------|--------------|-----------|--------|-------|------------|---------------------|---|---------|
| | | | YM155 | YM155D | YM135 | | | | |
| 32- 15 | .LABEL, handling instruction | 194390-65200 | | | 1 | | Z | | |
| 32- 16 | .LABEL, caution | 194240-65720 | | | 1 | | Z | | |
| 32- 17 | .LABEL, tractor No. | * | | | 1 | | W | YM135D from No. 51209 | |
| | .LABEL, tractor No. | * | | | 1 | | Z | | |
| 32- 18 | .SCREW 4 x 10, tapping | 22857-400100 | | | 2 | | Z | | |
| 32- 19 | BEARING SLEEVE ASS'Y | 794200-22050 | | | 1 | | W | [2] | |
| | BEARING SLEEVE ASS'Y | 794200-22050 | | 1 | | | W | [3] | |
| 32- 20 | .BEARING SLEEVE | 194200-22150 | | 1 | 1 | * | Z | | |
| | .BEARING SLEEVE | * | | 1 | 1 | * | F | [3] Not Sold Separately. (194200-22151) | |
| 32- 21 | .METAL 22 x 25 x 20 | 194200-22170 | | 1 | 1 | | Z | | |
| | .METAL 22.4 x 28 x 22.4 | * | | 2 | 2 | * | F&K | [3] Not Sold Separately. (194150-22160) | |
| | .METAL 22.4 x 28 22.4 | * | | 2 | 2 | * | N | YM135 from No. 51142 YM135D from No. 51154 | |
| 32- 22 | .FELT, clutch release | 194200-22190 | | 1 | 1 | * | Z | | |
| | .FELT, clutch release | * | | 2 | * | | F&K | [2] Not Sold Separately. | |
| | .FELT, clutch release | * | | 2 | * | | F&K | [3] Not Sold Separately. (194200-22191) | |
| 32- 23 | CLUTCH RELEASE SHAFT ASS'Y | 794340-22100 | | 1 | 1 | | W | [3] | |
| 32- 24 | .FORK, clutch shift | 194200-22310 | | 1 | 1 | | Z | | |
| | .FORK, clutch shift | * | | 1 | 1 | * | F | [3] Not Sold Separately. (194200-22311) | |
| 32- 25 | .SHAFT, clutch release | 194340-22330 | | 1 | 1 | * | Z | | |
| | .SHAFT, clutch release | * | | 1 | 1 | * | F | [3] Not Sold Separately. | |
| 32- 26 | PIN 8 x 17.5 | 194200-37800 | | 2 | 2 | | | | |
| 32- 27 | WASHER 8, plain | 22117-080000 | | 2 | 2 | 10 | | | |
| 32- 28 | COTTER PIN 2 x 15 | 22417-200150 | | 2 | 2 | 10 | | | |
| 32- 29 | BOLT M8 x 16 | 26116-080162 | | 6 | 6 | 10 | | | |
| | BOLT M8 x 16 | 26013-080162 | | 6 | 6 | 10 | N | | |
| 32- 30 | BOLT M8 x 20 | 26116-080202 | | 1 | 1 | 10 | | | |
| | BOLT M8 x 20 | 26013-080162 | | 1 | 1 | 10 | N | | |
| 32- 31 | SPRING WASHER 8 | 22217-080000 | | 7 | 7 | | Z | | |

Fig. 32 CLUTCH (U.S.A.) [YM135, YM135D]

| Refer. No. | Description | Part No. | Q'ty/Unit | | | | Sales Unit | Inter-changeability | Design-change Mark | Remarks |
|------------|------------------------------|--------------|-----------|--------|-------|--------|------------|---------------------|---|---------|
| | | | YM155 | YM155D | YM135 | YM135D | | | | |
| 32- 32 | BOLT M6 x 10 | 26116-060102 | | | 2 | 1 | 10 | | | |
| | BOLT M6 x 10 | 26116-060102 | | | 1 | | | K | [5] | |
| 32- 33 | WASHER 6, plain | 22117-060000 | | | 2 | 1 | 10 | | | |
| | WASHER 6, plain | 22117-060000 | | | 1 | | | K | [5] | |
| 32- 34 | NUT M12 | 26716-120002 | | | 7 | 7 | 10 | | | |
| 32- 35 | SPRING WASHER 12 | 22217-120000 | | | 7 | 7 | 10 | | | |
| 32- 36 | NUT M10 | 26736-100002 | | | 2 | 2 | 10 | | | |
| | NUT M10 | 26716-100002 | | | 2 | 2 | | S | YM135 from No. 52028 YM135D from No. 56405 | |
| 32- 37 | SPRING WASHER 10 | 22217-100000 | | | 2 | 2 | | | | |
| 32- 38 | CLUTCH DISK ASS'Y | 794200-21400 | | 1 | 1 | | | | | |
| | CLUTCH DISK ASS'Y | 194262-21400 | | 1 | 1 | | | N | [1] | |
| | CLUTCH DISK ASS'Y | 194340-21410 | | 1 | 1 | | | N | YM135 from No. 52182 YM135D from No. 57428 | |
| 32- 39 | PRESSURE PLATE ASS'Y | 794200-21700 | | 1 | 1 | | | | | |
| | PRESSURE PLATE ASS'Y | 194262-21700 | | 1 | 1 | | | N | [1] | |
| | PRESSURE PLATE ASS'Y | 194340-21700 | | 1 | 1 | | | N | [5] | |
| 32- 40 | BOLT M8 x 20 | 26116-080202 | | 6 | 6 | 10 | | | | |
| | BOLT M8 x 20 | 26013-080202 | | 6 | 6 | 10 | | N | | |
| 32- 41 | SPRING WASHER 8 | 22217-080000 | | 6 | 6 | | | Z | | |
| 32- 42 | SHAFT, main driving 22dx442L | 194200-22110 | | 1 | 1 | | | | | |
| 32- 43 | BEARING, clutch release | 194200-22180 | | 1 | 1 | | | | | |
| 32- 44 | SPRING PIN 5 x 28 | 22351-050028 | | 1 | 1 | 10 | | K | [3] | |
| | SPRING PIN 5 x 28 | 22351-050028 | | 2 | 2 | 10 | | | | |
| 32- 45 | SPRING PIN 3 x 28 | 22351-030028 | | 1 | 1 | 10 | | | | |
| | SPRING PIN 3 x 28 | 22351-03028 | | 2 | 2 | 10 | | K | [3] | |
| 32- 46 | O-RING 14-P | 24311-000140 | | 2 | 2 | 10 | | | | |
| 32- 47 | WASHER 14, plain | 22117-140000 | | 1 | 1 | 10 | | | | |
| 32- 48 | COTTER PIN 3 x 25 | 22417-300250 | | 1 | 1 | 10 | | | | |

Fig. 32 CLUTCH (U.S.A.) [YM135,YM135D]

M E M O

| Refer. No. | Description | Part No. | Q'ty/Unit | | | | Sales Unit | Inter-changeability | Design-change Mark | Remarks |
|------------|----------------------------|--------------|-----------|--------|-------|--------|------------|---------------------|--------------------|---------|
| | | | YM155 | YM155D | YM135 | YM135D | | | | |
| 32- 49 | CLUTCH PEDAL | 194200-22410 | | | 1 | 1 | | | | |
| 32- 50 | SPRING, brake pedal return | 194200-37510 | | | 1 | 1 | | | | |
| 32- 51 | ROD, clutch | 194200-22460 | | | 1 | 1 | | | | |
| 32- 52 | JOINT (B), clutch rod | 194200-22490 | | | 1 | 1 | | | | |
| 32- 53 | LOCK NUT M10 | 26756-100002 | | | 1 | 1 | | | | |
| 32- 54 | WIRE 0.9 x 140 | 194200-22380 | | | 2 | 2 | | | | |
| 32- 55 | CAP 20, rubber | 194300-21450 | | | 1 | 1 | | | | |
| 32- 56 | SPRING PIN 8 x 16 | 22351-080016 | | | 2 | 2 | 10 | W | | |
| 32- 57 | SPRING WASHER 8 | 194200-37390 | | | 1 | 1 | | W | | |
| 32- 58 | LOCK PLATE | 194340-62810 | | | 1 | 1 | | W | | |
| 32- 59 | BOLT M8 x 20 | 26116-080202 | | | 1 | 1 | 10 | W | | |
| 32- 60 | U-NUT M8 | 26346-080002 | | | 1 | 1 | 10 | W | | |

Fig. 33 CLUTCH (FRANCE) [YM135, YM135D]

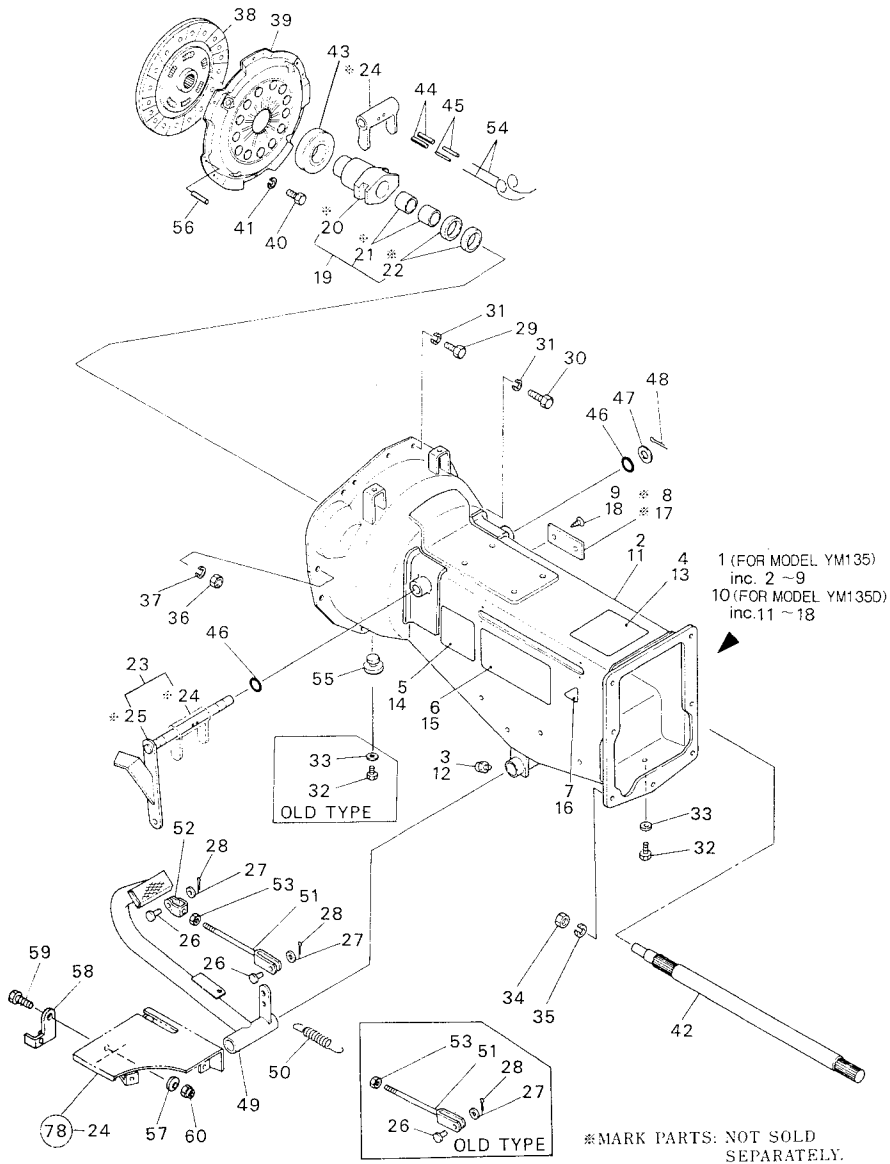


Fig. 33 CLUTCH (FRANCE) [YM135, YM135D]

| Refer. No. | Description | Part No. | Qty./Unit | | | Sales Unit | Inter-changeability | Design-change Mark | Remarks |
|------------|------------------------------------|----------------|-----------|--------|-------|------------|---------------------|--------------------|------------------------------------|
| | | | YM135 | YM135D | YM135 | | | | |
| 33- 1 | HOUSING ASS'Y, clutch | 794390-21000-X | | | 1 | | | | |
| | HOUSING ASS'Y, clutch | 794390-21001-X | | | 1 | | F | [5] | |
| 33- 2 | .HOUSING, complete, clutch | 194200-21102-X | | | 1 | | | | |
| | .HOUSING, complete, clutch | 194200-21003-X | | | 1 | | F | [5] | |
| 33- 3 | .GREASE NIPPLE A-M6F | 24761-010000 | | | 1 | | | | |
| | .GREASE NIPPLE A-PT6F | 24764-010000 | | | 1 | | N | | |
| 33- 4 | .LABEL, tractor model | 194390-65150 | | | 1 | | | | |
| | .LABEL, tractor model | 194340-65152 | | | 1 | | N | | YM135 from No. 51173 |
| 33- 5 | .LABEL, tractor oiling instruction | 194340-65320 | | | 1 | | | | |
| 33- 6 | .LABEL, handling instruction | 194390-65200 | | | 1 | | | | |
| 33- 7 | .LABEL, caution | 194240-65720 | | | 1 | | W | [3] | |
| 33- 8 | .LABEL, tractor No. | * | | | 1 | | W | | YM135 from No. 51173 |
| 33- 9 | .SCREW 4 x 10, tapping | 22857-400100 | | | 2 | | W | | YM135 from No. 51173 |
| 33- 10 | HOUSING ASS'Y, clutch | 794391-21000-X | | | 1 | | | | |
| | HOUSING ASS'Y, clutch | 794391-21001-X | | | 1 | | F | [5] | Interchangeable by set with 33-55. |
| 33- 11 | .HOUSING, complete, clutch | 194210-21103-X | | | 1 | | | | |
| | .HOUSING, complete, clutch | 194210-21104-X | | | 1 | | F | [5] | |
| 33- 12 | .GREASE NIPPLE A-M6F | 24761-010000 | | | 1 | | | | |
| | .GREASE NIPPLE A-PT6F | 24764-010000 | | | 1 | | N | | |
| 33- 13 | .LABEL, tractor model | 194391-65150 | | | 1 | | | | |
| | .LABEL, tractor model | 194341-65152 | | | 1 | | N | | YM135D from No. 51209 |
| 33- 14 | .LABEL, tractor oiling instruction | 194341-65320 | | | 1 | | | | |

Fig. 33 CLUTCH (FRANCE) [YM135,YM135D]

| Refer. No. | Description | Part No. | Qty/Unit | | | Sales Unit | Inter-change ability | Design-change Mark | Remarks |
|------------|------------------------------|--------------|----------|--------|-------|------------|----------------------|--|---------|
| | | | YM135 | YM135D | YM135 | | | | |
| 33- 15 | .LABEL, handling instruction | 194390-65200 | | | 1 | | | | |
| 33- 16 | .LABEL, caution | 194240-65720 | | | 1 | | Z | | |
| 33- 17 | .LABEL, tractor No. | * | | | 1 | | W | YM135D from No. 51209 | |
| | .LABEL, tractor No. | * | | | 1 | | Z | | |
| 33- 18 | .SCREW 4 x 10, tapping | 22857-400100 | | | 2 | | Z | | |
| 33- 19 | BEARING SLEEVE ASS'Y | 794200-22050 | | | 1 | | W [2] | | |
| | BEARING SLEEVE ASS'Y | 794200-22050 | | 1 | | | W [3] | | |
| 33- 20 | .BEARING SLEEVE | 194200-22150 | | 1 | 1 | * | Z | | |
| | .BEARING SLEEVE | * | | 1 | 1 | * | F [3] | Not Sold Separately. (194200-22151) | |
| 33- 21 | .METAL 22 x 25 x 20 | 194200-22170 | | 1 | 1 | | Z | | |
| | .METAL 22.4 x 28 x 22.4 | * | | 2 | 2 | * | F&K [3] | Not Sold Separately. (194150-22160) | |
| | .METAL 22.4 x 28 22.4 | * | | 2 | 2 | * | N | Not Sold Separately. (194150-22160) YM135 from No. 51142 YM135D from No. 51154 | |
| 33- 22 | .FELT, clutch release | 194200-22190 | | 1 | 1 | * | Z | | |
| | .FELT, clutch release | * | | 2 | * | | F&K [2] | Not Sold Separately. | |
| | .FELT, clutch release | * | | 2 | * | | F&K [3] | Not Sold Separately. (194200-22191) | |
| 33- 23 | CLUTCH RELEASE SHAFT ASS'Y | 794340-22100 | | 1 | 1 | | W [3] | | |
| 33- 24 | .FORK, clutch shift | 194200-22310 | | 1 | 1 | | Z | | |
| | .FORK, clutch shift | * | | 1 | 1 | * | F [3] | Not Sold Separately. (194200-22311) | |
| 33- 25 | .SHAFT, clutch release | 194340-22330 | | 1 | 1 | * | Z | | |
| | .SHAFT, clutch release | * | | 1 | 1 | * | F [3] | Not Sold Separately. | |
| 33- 26 | PIN 8 x 17.5 | 194200-37800 | | 2 | 2 | | | | |
| 33- 27 | WASHER 8, plain | 22117-080000 | | 2 | 2 | 10 | | | |
| 33- 28 | COTTER PIN 2 x 15 | 22417-200150 | | 2 | 2 | 10 | | | |

Fig. 33 CLUTCH (FRANCE) [YM135,YM135D]

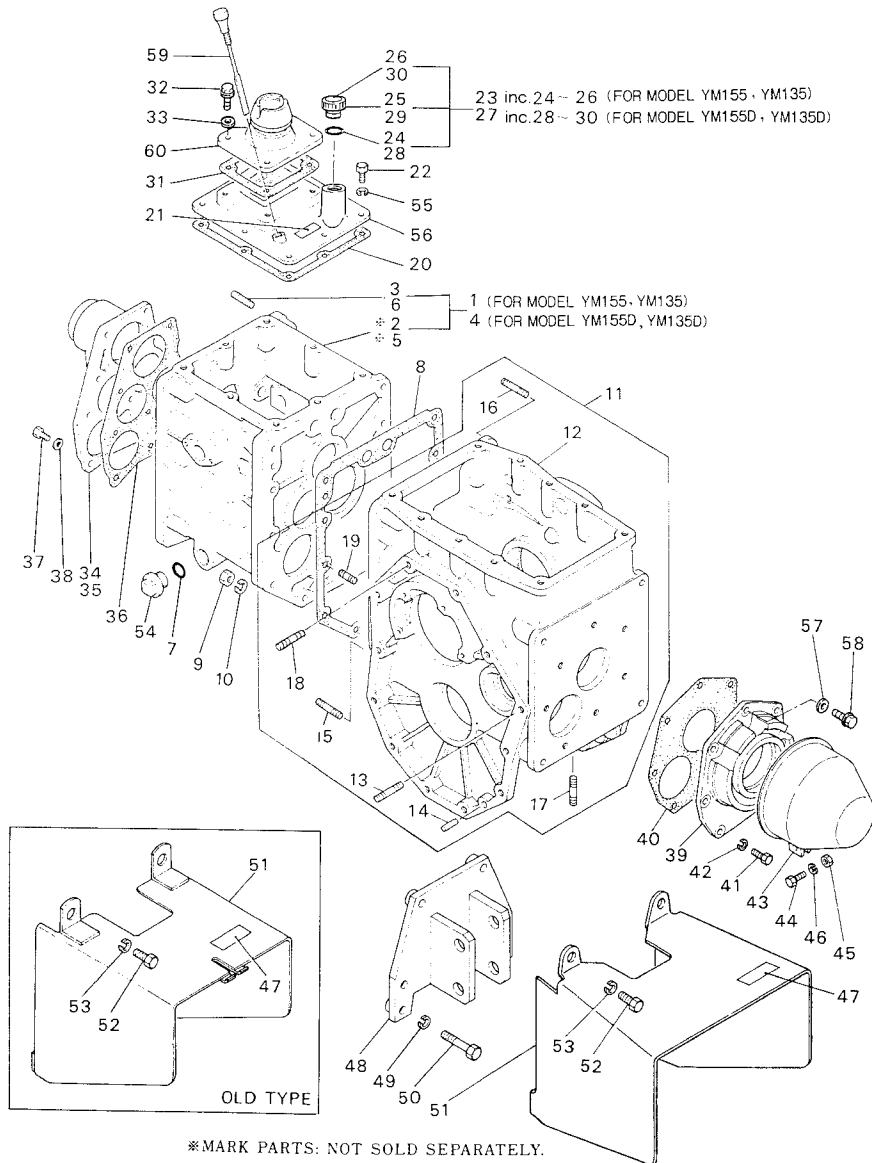
| Refer. No. | Description | Part No. | Qty/Unit | | | Sales Unit | Inter-change ability | Design-change Mark | Remarks |
|------------|------------------------------|--------------|----------|--------|-------|------------|----------------------|--------------------|---------|
| | | | YM135 | YM135D | YM135 | | | | |
| 33- 29 | BOLT M8 x 16 | 26116-080162 | | 6 | 6 | 10 | | | |
| | BOLT M8 x 16 | 26013-080162 | | 6 | 6 | 10 | N | | |
| 33- 30 | BOLT M8 x 20 | 26116-080202 | | 1 | 1 | 10 | | | |
| | BOLT M8 x 20 | 26013-080162 | | 1 | 1 | 10 | N | | |
| 33- 31 | SPRING WASHER 8 | 22217-080000 | | 7 | 7 | | Z | | |
| 33- 32 | BOLT M6 x 10 | 26116-060102 | | 2 | 1 | 10 | | | |
| | BOLT M6 x 10 | 26116-060102 | | 1 | | | K | [5] | |
| 33- 33 | WASHER 6, plain | 22117-060000 | | 2 | 1 | 10 | | | |
| | WASHER 6, plain | 22117-060000 | | 1 | | | K | [5] | |
| 33- 34 | NUT M12 | 26716-120002 | | 7 | 7 | 10 | | | |
| 33- 35 | SPRING WASHER 12 | 22217-120000 | | 7 | 7 | 10 | | | |
| 33- 36 | NUT M10 | 26736-100002 | | 2 | 2 | 10 | | | |
| | NUT M10 | 26716-100002 | | 2 | 2 | | S | | |
| 33- 37 | SPRING WASHER 10 | 22217-100000 | | 2 | 2 | | | | |
| 33- 38 | CLUTCH DISK ASS'Y | 794200-21400 | | 1 | 1 | | | | |
| | CLUTCH DISK ASS'Y | 194262-21400 | | 1 | 1 | | N | [1] | |
| | CLUTCH DISK ASS'Y | 194340-21410 | | 1 | 1 | | N | | |
| 33- 39 | PRESSURE PLATE ASS'Y | 794200-21700 | | 1 | 1 | | | | |
| | PRESSURE PLATE ASS'Y | 194262-21700 | | 1 | 1 | | N | [1] | |
| | PRESSURE PLATE ASS'Y | 194340-21700 | | 1 | 1 | | N | [5] | |
| 33- 40 | BOLT M8 x 20 | 26116-080202 | | 6 | 6 | 10 | | | |
| | BOLT M8 x 20 | 26013-080202 | | 6 | 6 | 10 | N | | |
| 33- 41 | SPRING WASHER 8 | 22217-080000 | | 6 | 6 | | Z | | |
| 33- 42 | SHAFT, main driving 22dx442L | 194200-22110 | | 1 | 1 | | | | |
| 33- 43 | BEARING, clutch release | 194200-22180 | | 1 | 1 | | | | |
| 33- 44 | SPRING PIN 5 x 28 | 22351-050028 | | 1 | 1 | 10 | | | |
| | SPRING PIN 5 x 28 | 22351-050028 | | 2 | 2 | 10 | K | [3] | |
| 33- 45 | SPRING PIN 3 x 28 | 22351-030028 | | 1 | 1 | 10 | | | |
| | SPRING PIN 3 x 28 | 22351-03028 | | 2 | 2 | 10 | K | [3] | |

Fig. 33 CLUTCH (FRANCE) [YM135, YM135D]

M E M O

| Refer. No. | Description | Part No. | Qty/Unit | | | | Sales Unit | Inter-changeability | Design-change Mark | Remarks |
|------------|----------------------------|--------------|----------|--------|-------|--------|------------|---------------------|--------------------|---------|
| | | | YM155 | YM155D | YM135 | YM135D | | | | |
| 33- 46 | O-RING 14-P | 24311-000140 | | | 2 | 2 | 10 | | | |
| 33- 47 | WASHER 14, plain | 22117-140000 | | | 1 | 1 | 10 | | | |
| 33- 48 | COTTER PIN 3 x 25 | 22417-300250 | | | 1 | 1 | 10 | | | |
| 33- 49 | CLUTCH PEDAL | 194200-22410 | | | 1 | 1 | | | | |
| 33- 50 | SPRING, brake pedal return | 194200-37510 | | | 1 | 1 | | | | |
| 33- 51 | ROD, clutch | 194200-22460 | | | 1 | 1 | | | | |
| 33- 52 | JOINT (B), clutch rod | 194200-22490 | | | 1 | 1 | | | | |
| 33- 53 | LOCK NUT M10 | 26756-100002 | | | 1 | 1 | | | | |
| 33- 54 | WIRE 0.9 x 140 | 194200-22380 | | | 2 | 2 | | | | |
| 33- 55 | CAP 20, rubber | 194300-21450 | | | 1 | 1 | | | | |
| 33- 56 | SPRING PIN 8 x 16 | 22351-080016 | | | 2 | 2 | 10 | W | | |
| 33- 57 | SPRING WASHER 8 | 194200-37390 | | | 1 | 1 | | W | | |
| 33- 58 | LOCK PLATE | 194340-62810 | | | 1 | 1 | | W | | |
| 33- 59 | BOLT M8 x 20 | 26116-080202 | | | 1 | 1 | 10 | W | | |
| 33- 60 | U-NUT M8 | 26346-080002 | | | 1 | 1 | 10 | W | | |

Fig. 34 TRANSMISSION CASE & COVER (EXCEPT ENGLAND)



*MARK PARTS: NOT SOLD SEPARATELY.

Fig. 34 TRANSMISSION CASE & COVER (EXCEPT ENGLAND)

| Refer. No. | Description | Part No. | Q'ty/Unit | | | | Sales Unit | Inter-changeability | Design Mark | Remarks |
|------------|-------------------------------------|----------------|-----------|--------|-------|--------|------------|---------------------|--|---------|
| | | | YM155 | YM155D | YM135 | YM135D | | | | |
| 34- 1 | HOUSING ASS'Y, transmission | 794200-24100-X | 1 | 1 | | | | | | |
| | HOUSING ASS'Y, transmission | 794340-24100-X | 1 | 1 | | | N | | | |
| 34- 2 | .HOUSING, transmission | * | 1 | 1 | | | | | Not Sold Separately. | |
| | .HOUSING, transmission | * | 1 | 1 | | | N | | Not Sold Separately. (194340-24110) | |
| 34- 3 | .STUD M12x 23 | 194200-24120 | 7 | 7 | | 10 | | | | |
| 34- 4 | HOUSING ASS'Y, transmission | 794210-24100-X | 1 | 1 | | | | | | |
| | HOUSING ASS'Y, transmission | 794341-24100-X | 1 | 1 | | | N | | | |
| 34- 5 | .HOUSING, transmission | * | 1 | 1 | | | | | Not Sold Separately. | |
| | .HOUSING, transmission | * | 1 | 1 | | | N | | Not Sold Separately. (194341-24110) | |
| 34- 6 | .STUD M12 x 23 | 194200-24120 | 7 | 7 | | 10 | | | | |
| 34- 7 | O-RING 20-P | 24311-000200 | 1 | 1 | 1 | 10 | | | | |
| | O-RING 18-P | 24311-000180 | 1 | 1 | 1 | 10 | S | | | |
| 34- 8 | PACKING, transmission case | 194200-24130 | 1 | 1 | 1 | 5 | | | | |
| 34- 9 | NUT M10 | 194200-24140 | 10 | 10 | 10 | 10 | | | | |
| 34- 10 | SPRING WASHER 10 | 22217-100000 | 10 | 10 | 10 | 10 | | | | |
| 34- 11 | GEAR HOUSING ASS'Y, final reduction | 794340-24150-X | 1 | 1 | 1 | 1 | | | | |
| 34- 12 | .GEAR HOUSING, final reduction | 194200-24160 | 1 | 1 | 1 | 1 | | | | |
| 34- 13 | .STUD M12 x 64 | 194200-24180 | 4 | 4 | 4 | 10 | | | | |
| 34- 14 | .PIN 8 x 28, straight | 1A1040-26060 | 6 | 6 | 6 | 10 | | | | |
| 34- 15 | .STUD M10 x 32 | 26226-100322 | 7 | 7 | 7 | 10 | | | | |
| 34- 16 | .STUD M10 x 50 | 26226-100502 | 1 | 1 | 1 | 10 | | | | |
| 34- 17 | .STUD M14 x 32 | 26226-140322 | 4 | 4 | 1 | 10 | | | | |
| 34- 18 | .STUD M10 x 55 | 194200-24200 | 2 | 2 | 2 | 2 | | W | YM155 from No. 50030 YM155D from No. 50304 YM135 from No. 50002 YM135D from No. 50151 | |

Fig. 34 TRANSMISSION CASE & COVER (EXCEPT ENGLAND)

| Refer. No. | Description | Part No. | Qty/Unit | | | | Sales Unit | Inter-change ability | Design-change Mark | Remarks |
|------------|---|--------------|----------|--------|-------|--------|------------|----------------------|--------------------|---------|
| | | | YMI55 | YMI55D | YMI35 | YMI35D | | | | |
| 34- 19 | STUD M10x 32 | 194201-24190 | 2 | 2 | 2 | 2 | | | | |
| 34- 20 | PACKING, transmission housing upper cover | 194200-24360 | 1 | 1 | 1 | 1 | 10 | | | |
| 34- 21 | LABEL, stop valve | 194340-65750 | 1 | 1 | 1 | 1 | | Z | | |
| 34- 22 | BOLT M8 x 16 | 26116-080162 | 8 | 8 | 8 | 8 | 10 | | | |
| | BOLT M8 x 16 | 26013-080162 | 8 | 8 | 8 | 8 | 10 | N | | |
| 34- 23 | OIL PLUG 30 w/PLATE | 794200-24350 | 1 | 1 | | 10 | | | | |
| | OIL PLUG 30 w/PLATE | 794340-24350 | 1 | 1 | | 10 | | N | | |
| 34- 24 | .O-RING 30-S | 24341-000300 | 1 | 1 | | 10 | | | | |
| | .O-RING 28-S | 24341-000280 | 1 | 1 | | | | S | | |
| 34- 25 | .OIL PLUG 30 | 194200-24380 | 1 | 1 | | | | | | |
| 34- 26 | .LABEL, transmission oiling instruction | 194200-65300 | 1 | 1 | | | | | | |
| | .LABEL, transmission oiling instruction | 194340-65300 | 1 | 1 | | | | N | [3] | |
| | .LABEL, transmission oiling instruction | 194340-65300 | 1 | 1 | | | | Z | | |
| 34- 27 | OIL PLUG 30 w/PLATE | 794210-24350 | | 1 | 1 | 10 | | | | |
| | OIL PLUG 30 w/PLATE | 794341-24350 | 1 | 1 | 1 | 10 | | N | | |
| 34- 28 | .O-RING 30-S | 24341-000300 | 1 | 1 | 1 | 10 | | | | |
| | .O-RING 28-S | 24341-000280 | 1 | 1 | 1 | | | S | | |
| 34- 29 | .OIL PLUG 30 | 194200-24380 | 1 | 1 | | | | | | |
| 34- 30 | .LABEL, transmission oiling instruction | 194210-65300 | 1 | 1 | | | | | | |
| | .LABEL, transmission oiling instruction | 194341-65300 | 1 | 1 | | | | N | [3] | |
| | .LABEL, transmission oiling instruction | 194341-65300 | 1 | 1 | | | | Z | | |
| 34- 31 | PACKING, transmission housing cover | 194200-24220 | 1 | 1 | 1 | 1 | 10 | | | |
| 34- 32 | BOLT M8 x 20 | 26116-080202 | 4 | 4 | 4 | 4 | 10 | | | |
| | BOLT M8 x 20 | 26106-080202 | 4 | 4 | 4 | 4 | 10 | N | | |
| 34- 33 | PACKING 8, copper | 1A1040-28900 | 4 | 4 | 4 | 4 | 10 | | | |
| | PACKING 8 | 23414-080000 | 4 | 4 | 4 | 4 | 10 | N | | |

Fig. 34 TRANSMISSION CASE & COVER (EXCEPT ENGLAND)

| Refer. No. | Description | Part No. | Qty/Unit | | | | Sales Unit | Inter-change ability | Design-change Mark | Remarks |
|------------|---|----------------|----------|--------|-------|--------|------------|----------------------|--------------------|---------|
| | | | YMI55 | YMI55D | YMI35 | YMI35D | | | | |
| 34- 34 | COVER, transmission housing front | 194200-24401 | 1 | 1 | | | | | | |
| 34- 35 | COVER, transmission housing front | 194210-24401 | | 1 | 1 | | | | | |
| 34- 36 | PACKING, transmission housing front cover | 194200-24410 | 1 | 1 | 1 | 1 | 10 | | | |
| 34- 37 | BOLT M8 x 20 | 26116-080202 | 10 | 10 | 10 | 10 | 10 | | | |
| | BOLT M8 x 20 | 26106-080202 | 10 | 10 | 10 | 10 | 10 | N | | |
| 34- 38 | PACKING 8 | 23414-080000 | 10 | 10 | 10 | 10 | 10 | | | |
| 34- 39 | COVER, transmission housing rear | 194200-24450 | 1 | 1 | 1 | 1 | | | | |
| 34- 40 | PACKING, transmission housing rear cover | 194200-24460 | 1 | 1 | 1 | 1 | 10 | | | |
| 34- 41 | BOLT M8 x 25 | 26116-080252 | 7 | 7 | 7 | 7 | 10 | | | |
| | BOLT M8 x 25 | 26013-080252 | 6 | 6 | 6 | 6 | 10 | N | | |
| 34- 42 | SPRING WASHER 8 | 22217-080000 | 7 | 7 | 7 | 7 | 10 | Z | | |
| 34- 43 | COVER, complete, P.T.O. shaft | 194200-24270-X | 1 | 1 | 1 | 1 | | | | |
| 34- 44 | BOLT M8 x 20 | 26116-080202 | 1 | 1 | 1 | 1 | 10 | | | |
| 34- 45 | NUT M8 | 26716-080002 | 1 | 1 | 1 | 1 | 10 | | | |
| 34- 46 | SPRING WASHER 8 | 22217-080000 | 1 | 1 | 1 | 1 | 10 | | | |
| 34- 47 | LABEL, P.T.O. cover | 194240-65710 | 1 | 1 | 1 | 1 | | Z | | |
| 34- 48 | HINGE, top link | A21550-10010 | 1 | 1 | 1 | 1 | | | | |
| | HINGE, top link | 194340-10010 | 1 | 1 | 1 | 1 | | N | [4] | |
| 34- 49 | SPRING WASHER 12 | 22217-120000 | 4 | 4 | 4 | 4 | 10 | Z | | |
| 34- 50 | BOLT M12 x 45 | 26116-120452 | 4 | 4 | 4 | 4 | 10 | | | |
| | BOLT M12 x 45 | 26013-120452 | 4 | 4 | 4 | 4 | 10 | N | | |
| 34- 51 | COVER, safety | 194340-24510 | 1 | 1 | 1 | 1 | | | | |
| | COVER, safety | 194340-24550-X | 1 | 1 | 1 | 1 | | N | | |

Fig. 34 TRANSMISSION CASE & COVER (EXCEPT ENGLAND)

| Refer. No. | Description | Part No. | Qty/Unit | | | | Sales Unit | Inter-changeability | Design-change Mark | Remarks |
|------------|-----------------------------------|----------------|----------|--------|-------|--------|------------|---------------------|--------------------|---------|
| | | | YMI55 | YMI55D | YMI35 | YMI35D | | | | |
| 34- 52 | BOLT M12 x 20 | 26116-120202 | 4 | 4 | 4 | 4 | 10 | | | |
| | BOLT M12 x 20 | 26013-120202 | 4 | 4 | 4 | 4 | 10 | N | | |
| 34- 53 | SPRING WASHER 12 | 22217-120000 | 4 | 4 | 4 | 4 | 10 | Z | | |
| 34- 54 | OIL PLUG 20 | 1A1040-28040 | 1 | 1 | 1 | 1 | | | | |
| 34- 55 | SPRING WASHER 8 | 22217-080000 | 8 | 8 | 8 | 8 | 10 | Z | | |
| 34- 56 | COVER, transmission housing upper | 194200-24300-X | 1 | 1 | 1 | 1 | | | | |
| 34- 57 | PACKING 8 | 23414-080000 | 1 | 1 | | | 10 | | | |
| 34- 58 | BOLT M 8x 25 | 26106-080252 | 1 | 1 | | | 10 | | | |
| 34- 59 | DIPSTICK | 194200-24250 | 1 | 1 | 1 | 1 | | | | |
| 34- 60 | COVER, transmission housing | 194200-24210-X | 1 | 1 | 1 | 1 | | | | |

Fig. 35 TRANSMISSION CASE & COVER (ENGLAND) [YM155, YM155D]

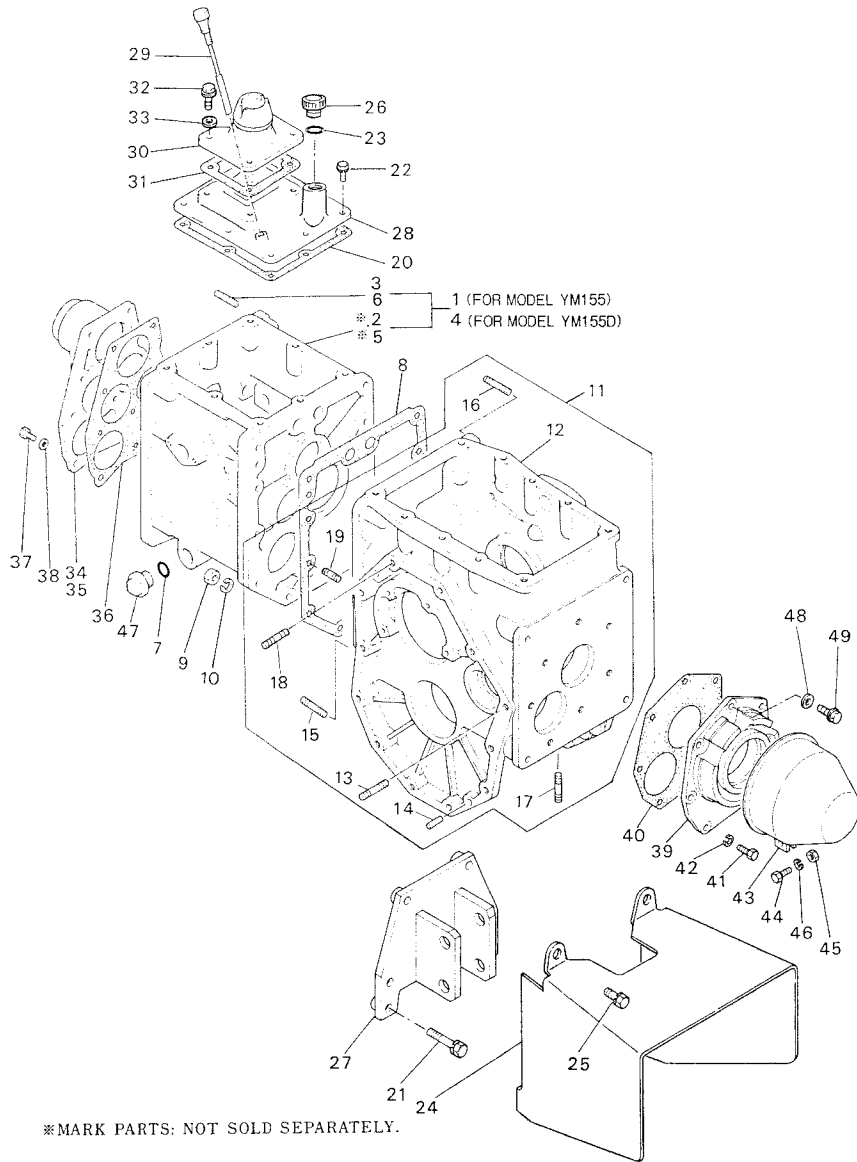


Fig. 35 TRANSMISSION CASE & COVER (ENGLAND) [YM155, YM155D]

| Refer. No. | Description | Part No. | Qty/Unit | | | | Inter-changeability | Design-change Mark | Remarks |
|------------|---|----------------|----------|--------|-------|--------|---------------------|---|---------|
| | | | YM155 | YM155D | YM135 | YM135D | | | |
| 35- 1 | HOUSING ASS'Y, transmission | 794340-24100-X | 1 | | | | | | |
| 35- 2 | .HOUSING, transmission | * | 1 | | | | | Not Sold Separately. (194340-24110) | |
| 35- 3 | .STUD M12x 23 | 194200-24120 | 7 | | | 10 | | | |
| 35- 4 | HOUSING ASS'Y, transmission | 794341-24100-X | | 1 | | | | | |
| 35- 5 | .HOUSING, transmission | * | | 1 | | | | Not Sold Separately. (194341-24110) | |
| 35- 6 | .STUD M12 x 23 | 194200-24120 | | 7 | | 10 | | | |
| 35- 7 | O-RING 18-P | 24311-000180 | 1 | 1 | | 10 | | | |
| 35- 8 | PACKING, transmission case | 194200-24130 | 1 | 1 | | 5 | | | |
| 35- 9 | NUT M10 | 194200-24140 | 10 | 10 | | 10 | | | |
| 35- 10 | SPRING WASHER 10 | 22217-100000 | 10 | 10 | | 10 | | | |
| 35- 11 | GEAR HOUSING ASS'Y, final reduction | 794340-24150-X | 1 | 1 | | | | | |
| 35- 12 | .GEAR HOUSING, final reduction | 194200-24160 | 1 | 1 | | | | | |
| 35- 13 | .STUD M12 x 64 | 194200-24180 | 4 | 4 | | 10 | | | |
| 35- 14 | .PIN 8 x 28, straight | 1A1040-26060 | 6 | 6 | | 10 | | | |
| 35- 15 | .STUD M10 x 32 | 26226-100322 | 7 | 7 | | 10 | | | |
| 35- 16 | .STUD M10 x 50 | 26226-100502 | 1 | 1 | | 10 | | | |
| 35- 17 | .STUD M14 x 32 | 26226-140322 | 4 | 4 | | 10 | | | |
| 35- 18 | .STUD M10 x 55 | 194200-24200 | 2 | 2 | | | W | YM155 from No. 50030 YM155D from No. 50304 | |
| 35- 19 | STUD M10x 32 | 194201-24190 | 2 | 2 | | | | | |
| 35- 20 | PACKING, transmission housing upper cover | 194200-24360 | 1 | 1 | | 10 | | | |
| 35- 21 | BOLT M12 x 45 | 26013-120452 | 4 | 4 | | 10 | | | |
| 35- 22 | BOLT M8 x 16 | 26013-080162 | 8 | 8 | | 10 | | | |
| 35- 23 | O-RING 28-S | 24341-000280 | 1 | 1 | | 10 | | | |
| 35- 24 | COVER, safety | 194340-24550-X | 1 | 1 | | | N | [5] | |
| 35- 25 | BOLT M12 x 20 | 26013-120202 | 4 | 4 | | 10 | W | [4] | |

Fig. 35 TRANSMISSION CASE & COVER (ENGLAND) [YM155, YM155D]

M E M O

| Refer. No. | Description | Part No. | Qty/Unit | | | | Sales Unit | Inter-change ability | Design-change Mark | Remarks |
|------------|---|----------------|----------|--------|-------|--------|------------|----------------------|--------------------|---------|
| | | | YM155 | YM155D | YM135 | YM135D | | | | |
| 35- 26 | OIL PLUG 30 | 194200-24380 | 1 | 1 | | | | | | |
| 35- 27 | HINGE, top link | 194340-10010 | 1 | 1 | | | N | [4] | | |
| 35- 28 | COVER, transmission housing upper | 194200-24300-X | 1 | 1 | | | | | | |
| 35- 29 | DIPSTICK | 194200-24250 | 1 | 1 | | | | | | |
| 35- 30 | COVER, transmission housing | 194200-24210-X | 1 | 1 | | | | | | |
| 35- 31 | PACKING, transmission housing cover | 194200-24220 | 1 | 1 | | 10 | | | | |
| 35- 32 | BOLT M8 x 20 | 26106-080202 | 4 | 4 | | 10 | | | | |
| 35- 33 | PACKING 8, copper | 1A1040-28900 | 4 | 4 | | 10 | | | | |
| 35- 34 | COVER, transmission housing front | 194200-24401 | 1 | | | | | | | |
| 35- 35 | COVER, transmission housing front | 194210-24401 | | 1 | | | | | | |
| 35- 36 | PACKING, transmission housing front cover | 194200-24410 | 1 | 1 | | 10 | | | | |
| 35- 37 | BOLT M8 x 20 | 26106-080202 | 10 | 10 | | 10 | | | | |
| 35- 38 | PACKING 8, copper | 23414-080000 | 10 | 10 | | 10 | | | | |
| 35- 39 | COVER, transmission housing rear | 194200-24450 | 1 | 1 | | | | | | |
| 35- 40 | PACKING, transmission housing rear cover | 194200-24460 | 1 | 1 | | 10 | | | | |
| 35- 41 | BOLT M8 x 25 | 26013-080252 | 6 | 6 | | 10 | | | | |
| 35- 42 | SPRING WASHER 8 | 22217-080000 | 7 | 7 | | 10 | Z | | | |
| 35- 43 | COVER, complete, P.T.O. shaft | 194200-24270-X | 1 | 1 | | | | | | |
| 35- 44 | BOLT M8 x 20 | 26116-080202 | 1 | 1 | | 10 | | | | |
| 35- 45 | NUT M8 | 26716-080002 | 1 | 1 | | 10 | | | | |
| 35- 46 | SPRING WASHER 8 | 22217-080000 | 1 | 1 | | 10 | | | | |
| 35- 47 | OIL PLUG 20 | 1A1040-28040 | 1 | 1 | | | | | | |
| 35- 48 | PACKING 8 | 23414-080000 | 1 | 1 | | 10 | | | | |
| 35- 49 | BOLT M 8x 25 | 26106-080252 | 1 | 1 | | 10 | | | | |

Fig. 36 TRANSMISSION INTERIOR (EXCEPT ENGLAND) [YM155, YM155D]

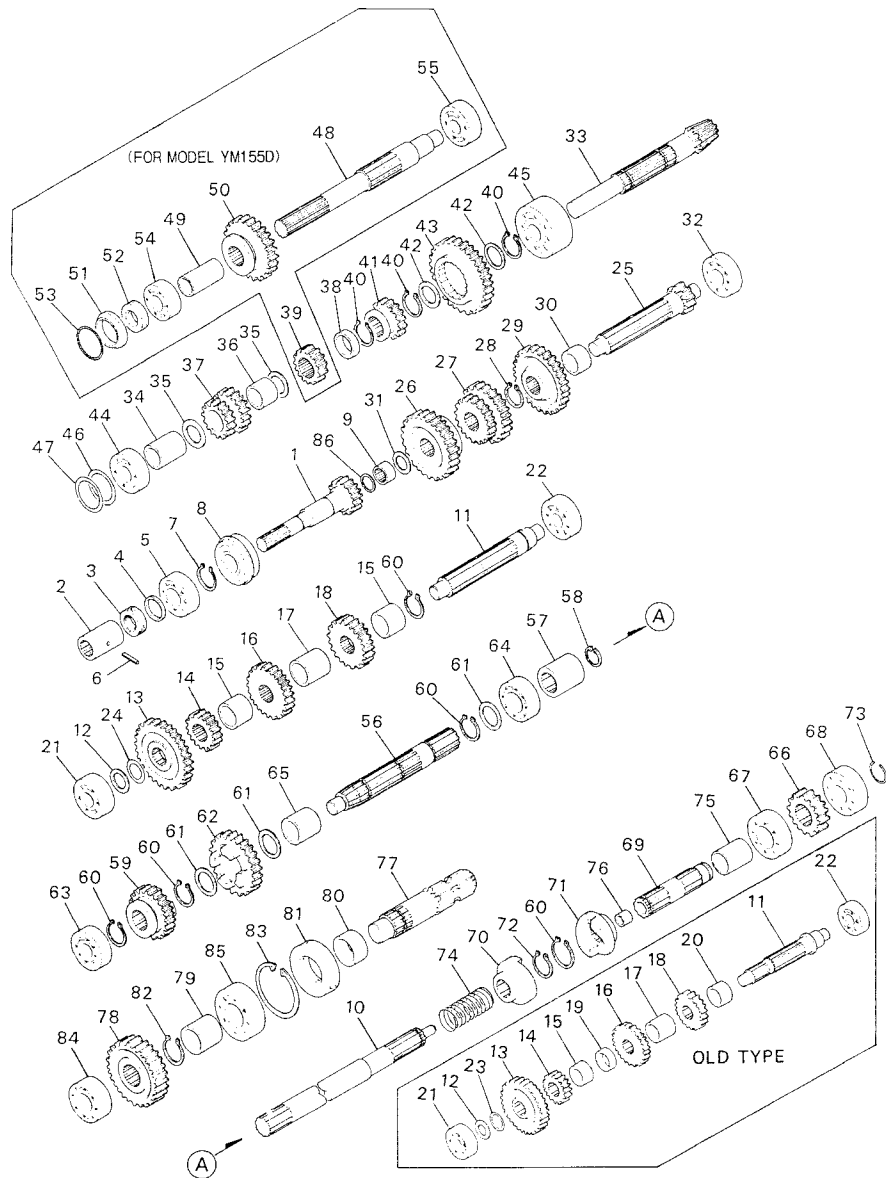


Fig. 36 TRANSMISSION INTERIOR (EXCEPT ENGLAND) [YM155, YM155D]

| Refer. No. | Description | Part No. | Q'ty/Unit | | | Sales Unit | Inter-changeability | Design-change Mark | Remarks |
|------------|------------------------------------|--------------|-----------|--------|-------|------------|---------------------|--|---------|
| | | | YM155 | YM155D | YM135 | | | | |
| 36- 1 | SHAFT, main | 194200-25201 | 1 | 1 | | | | | |
| | SHAFT, main | 194340-25200 | 1 | 1 | | | S [4] | 2 grooves provided at the 250 outer dia. part. | |
| 36- 2 | JOINT, main shaft 30d x 66L | 194200-25220 | 1 | 1 | | | | | |
| 36- 3 | OIL SEAL TC20357 | 194200-25240 | 1 | 1 | | 10 | | | |
| 36- 4 | SPACER, main shaft 30d x 1.0w | 194200-25270 | 1 | 1 | | | | | |
| 36- 5 | BALL BEARING 6204 | 24101-062044 | 1 | 1 | | | | | |
| 36- 6 | SPRING PIN 4 x 32 | 22351-040032 | 1 | 1 | | 10 | | | |
| 36- 7 | CIRCLIP 25-S | 22242-000250 | 1 | 1 | | 10 | | | |
| 36- 8 | BALL BEARING 6205NR | 194200-25260 | 1 | 1 | | | | | |
| 36- 9 | NEEDLE BEARING 15 x 21 x 12 | 194200-25250 | 1 | 1 | | | | | |
| | NEEDLE BEARING KT152111 | 194340-25250 | 1 | 1 | | | S [4] | | |
| 36- 10 | SHAFT, connecting | 194340-26360 | 1 | 1 | | | | | |
| | SHAFT, connecting | 194340-26361 | 1 | 1 | | | N [1] | | |
| 36- 11 | SHAFT, driven 24.667d x 169L | 194200-25301 | 1 | 1 | | | | | |
| | SHAFT, driven 32d x 169L | 194340-25302 | 1 | 1 | | | N [1] | | |
| | SHAFT, driven 24.667d x 169L | 194340-25303 | 1 | 1 | | | S [4] | | |
| 36- 12 | LINER 17 x 30 x 1 | 1A1040-23210 | 1 | 1 | | 10 | | | |
| | LINER 18 x 30 x 1 | 194200-25280 | 1 | 1 | | 10 | N [4] | | |
| 36- 13 | GEAR 26, driven | 194200-25310 | 1 | 1 | | | | | |
| | GEAR 26, driven 83.7d x 18.35id | 194340-25310 | 1 | 1 | | | S [4] | | |
| 36- 14 | GEAR 12, driven 45d x 18.35id | 194200-25320 | 1 | 1 | | | | | |
| | GEAR 13, driven 48d x 21.7id | 194340-25320 | 1 | 1 | | | S [4] | | |
| 36- 15 | COLLAR 21.4 x 32 x 25 | 194200-25331 | 1 | 1 | | | | | |
| | COLLAR 21.4 x 32 x 15 | 194340-25332 | 1 | 1 | | | N [1] | | |
| | COLLAR 25 x 32 x 24 | 194340-25660 | 2 | 2 | | | S [4] | | |
| 36- 16 | GEAR 21, driven 68.7d x 11w | 194200-25340 | 1 | 1 | | | | | |
| | GEAR 21, driven 68.7d x 11w | 194340-25340 | 1 | 1 | | | N [1] | " 5 " stamped on gear lateral. | |
| | GEAR 18, driven 70.9d x 12w | 194340-25341 | 1 | 1 | | | S [4] | | |

Fig. 36 TRANSMISSION INTERIOR (EXCEPT ENGLAND) [YM155, YM155D]

| Refer. No. | Description | Part No. | Qty/Unit | | | Sales Unit | Inter-change ability | Design-change Mark | Remarks |
|------------|---------------------------------|--------------|----------|--------|-------|------------|----------------------|----------------------------------|---------|
| | | | YM155 | YM155D | YM135 | | | | |
| 36- 17 | COLLAR 25 x 32 x 30 | 194200-25350 | 1 | 1 | | | | | |
| | COLLAR 25 x 32 x 31 | 194340-25351 | 1 | 1 | | | S [4] | | |
| | COLLAR 25 x 32 x 31 | 194340-25350 | 1 | 1 | | | N [4] | | |
| 36- 18 | GEAR 17, driven 57d x 11w | 194340-25360 | 1 | 1 | | | | | |
| | GEAR 17, driven 59.12d x 11w | 194340-25361 | 1 | 1 | | | N [1] | | |
| | GEAR 15, driven 61.55d x 12w | 194340-25362 | 1 | 1 | | | S [4] | | |
| 36- 19 | LINER 20 x 32 x 2 | 194200-25370 | 1 | 1 | | | | | |
| | COLLAR 25 x 32 x 10 | 194340-25371 | 1 | 1 | | | N [1] | | |
| | COLLAR 25 x 32 x 10 | 194340-25371 | 1 | 1 | | | Z [4] | | |
| 36- 20 | COLLAR 20 x 26 x 39.5 | 194200-25380 | 1 | 1 | | | | | |
| | COLLAR 25 x 32 x 20.5 | 194340-25381 | 1 | 1 | | | N [1] | | |
| | COLLAR 25 x 32 x 20.5 | 194340-25381 | 1 | 1 | | | Z [4] | | |
| 36- 21 | BALL BEARING 6303 | 24101-063034 | 1 | 1 | | | | | |
| 36- 22 | BALL BEARING 6303 | 24101-063034 | 1 | 1 | | | | | |
| 36- 23 | SHIM 22, driven shaft adjusting | 194200-25460 | - | - | 10 | | Z [4] | | |
| 36- 24 | SHIM 25, driven shaft adjusting | 194200-25470 | - | - | 10 | | | | |
| 36- 25 | SHAFT, main change 40d x 154L | 194200-25400 | 1 | 1 | | | | | |
| | SHAFT, main change 40d x 154L | 194340-25400 | 1 | 1 | | | S [4] | 2 grooves provided to the shaft. | |
| 36- 26 | GEAR 26, 1st/reverse sliding | 194200-25410 | 1 | 1 | | | | | |
| | GEAR 25, 1st/reverse sliding | 194340-25410 | 1 | 1 | | | S [4] | | |
| 36- 27 | GEAR 17/21, 2nd/3rd sliding | 194340-25420 | 1 | 1 | | | N [1] | | |
| | GEAR 14/17, 2nd/3rd sliding | 194340-25421 | 1 | 1 | | | S [4] | | |
| 36- 28 | CIRCLIP 25-S | 22242-000250 | 1 | 1 | 10 | | | | |
| 36- 29 | GEAR 31, main 82.3d x 16w | 194200-25430 | 1 | 1 | | | | | |
| | GEAR 31, main 82.3d x 14w | 194340-25430 | 1 | 1 | | | S [4] | | |
| 36- 30 | COLLAR 25 x 30 x 13 | 194200-25440 | 1 | 1 | | | | | |
| 36- 31 | LINER 15.5 x 28 x 1 | 194200-25450 | 1 | 1 | 10 | | | | |

Fig. 36 TRANSMISSION INTERIOR (EXCEPT ENGLAND) [YM155, YM155D]

| Refer. No. | Description | Part No. | Qty/Unit | | | Sales Unit | Inter-change ability | Design-change Mark | Remarks |
|------------|-----------------------------------|--------------|----------|--------|-------|------------|----------------------|--------------------|---------|
| | | | YM155 | YM155D | YM135 | | | | |
| 36- 32 | BALL BEARING 6303 | 24101-063034 | 1 | 1 | | | | | |
| 36- 33 | COUNTER SHAFT | 194200-25500 | 1 | 1 | | | | | |
| 36- 34 | COLLAR 21 x 27 x 36.5 | 194200-25510 | 1 | 1 | | | | | |
| 36- 35 | LINER 20 x 35 x 1 | 1A1040-23220 | 2 | 2 | | 10 | | | |
| 36- 36 | METAL 20 x 25 x 22 | 194200-25520 | 1 | 1 | | | | | |
| 36- 37 | GEAR 13/18, reverse | 194200-25530 | 1 | 1 | | | | | |
| | GEAR 14/14, reverse | 194340-25530 | 1 | 1 | | | S [4] | | |
| 36- 38 | COLLAR 25 x 32 x 9 | 194200-25610 | 1 | 1 | | | | In place of 36-39. | |
| 36- 39 | GEAR 16, front driving | 194210-25540 | 1 | 1 | | | | | |
| | GEAR 20, front driving | 194341-25540 | 1 | 1 | | | S [4] | | |
| 36- 40 | CIRCLIP 25-S | 22242-000250 | 3 | 3 | | 10 | | | |
| 36- 41 | GEAR 16, low-hi sliding | 194200-25550 | 1 | 1 | | | | | |
| 36- 42 | LINER 25 x 33 x 1.6 | 194200-25560 | 2 | 2 | | 10 | | | |
| 36- 43 | GEAR 34, low-hi reduction | 194200-25810 | 1 | 1 | | | | | |
| 36- 44 | BALL BEARING 7204, angular | 194200-25570 | 1 | 1 | | | | | |
| 36- 45 | BALL BEARING, double-row angular | 194200-25581 | 1 | 1 | | | | | |
| 36- 46 | SHIM 0.1, counter shaft adjusting | 194200-25590 | - | - | | 10 | | | |
| 36- 47 | SHIM 0.3, counter shaft adjusting | 194200-25600 | - | - | | 10 | | | |
| 36- 48 | SHAFT, front P.T.O. | 194210-26100 | 1 | 1 | | | | | |
| 36- 49 | COLLAR 20.5 x 25 x 40 | 194210-26110 | 1 | 1 | | | | | |
| 36- 50 | GEAR 29, front P.T.O. sliding | 194210-26120 | 1 | 1 | | | | | |
| | GEAR 25, front P.T.O. sliding | 194341-26120 | 1 | 1 | | | S [4] | | |
| 36- 51 | RETAINER, bearing | 194210-26130 | 1 | 1 | | | | | |
| 36- 52 | OIL SEAL TC20357 | 194210-25240 | 1 | 1 | | 10 | | | |

Fig. 36 TRANSMISSION INTERIOR (EXCEPT ENGLAND) [YM155, YM155D]

| Refer. No. | Description | Part No. | Q'ty/Unit | | | | Sales Unit | Inter-change ability | Design-change Mark | Remarks |
|------------|-----------------------------|--------------|-----------|--------|-------|--------|------------|----------------------|------------------------------------|---------|
| | | | YM155 | YM155D | YM135 | YM135D | | | | |
| 36- 53 | O-RING 41-P | 24311-000410 | | 1 | | 10 | | | | |
| 36- 54 | BALL BEARING 6204 | 24101-062044 | | 1 | | | | | | |
| 36- 55 | BALL BEARING 6303 | 24101-063034 | | 1 | | | | | | |
| 36- 56 | SHAFT, P.T.O. driving | 194340-26310 | | 1 | | | | | | |
| | SHAFT, P.T.O. driving | 194340-26311 | | 1 | | | S | [4] | | |
| 36- 57 | JOINT, P.T.O. driving shaft | 194200-26320 | | 1 | | | | | | |
| 36- 58 | CIRCLIP 22-H | 22252-000220 | | 1 | | 10 | | | | |
| 36- 59 | GEAR 19, P.T.O. sliding | 194340-26340 | | 1 | | | | | | |
| | GEAR 16, P.T.O. sliding | 194340-26341 | | 1 | | | S | [4] | | |
| 36- 60 | CIRCLIP 25-S | 22242-000250 | | 5 | | 10 | | [4] | | |
| 36- 61 | LINER 25 x 33 x 1.6 | 194200-25560 | | 3 | | 10 | | | In common with 36-42. | |
| 36- 62 | GEAR 23, P.T.O. reduction | 194340-26350 | | 1 | | | | | | |
| | GEAR 23, P.T.O. reduction | 194340-26351 | | 1 | | | N | [1] | | |
| | GEAR 19, P.T.O. reduction | 194340-26352 | | 1 | | | S | [4] | | |
| 36- 63 | BALL BEARING 6303 | 24101-063034 | | 1 | | | | | | |
| 36- 64 | BALL BEARING 6205 | 24101-062054 | | 1 | | | | | | |
| 36- 65 | COLLAR 25 x 32 x 32.2 | 194200-26331 | | 1 | | | | | | |
| | COLLAR 25 x 32 x 31 | 194340-25350 | | 1 | | | S | [4] | | |
| 36- 66 | GEAR 15, P.T.O. reduction | 194262-26390 | | 1 | | | | | | |
| | 51d x 17w | | | 1 | | | N | [1] | | |
| | GEAR 15, P.T.O. reduction | 194340-26391 | | 1 | | | | | | |
| | 51.9d x 17w | | | 1 | | | | | | |
| | GEAR 14, P.T.O. reduction | 194340-26392 | | 1 | | | P | [4] | Interchangeable by set with 36-78. | |
| | 50.4d x 17w | | | 1 | | | | | | |
| 36- 67 | BALL BEARING 6205 | 24101-062054 | | 1 | | | | | | |
| 36- 68 | BALL BEARING 6304 | 24101-063044 | | 1 | | | | | | |
| 36- 69 | SHAFT, P.T.O. reduction | 194340-26380 | | 1 | | | | | | |
| 36- 70 | CLUTCH (A) | 194340-26510 | | 1 | | | | | | |
| | CLUTCH (A) | 194340-26511 | | 1 | | | N | [1] | | |
| 36- 71 | CLUTCH (B) | 194340-26520 | | 1 | | | | | | |

Fig. 36 TRANSMISSION INTERIOR (EXCEPT ENGLAND) [YM155, YM155D]

| Refer. No. | Description | Part No. | Q'ty/Unit | | | | Sales Unit | Inter-change ability | Design-change Mark | Remarks |
|------------|-------------------------------|--------------|-----------|--------|-------|--------|------------|----------------------|--------------------|---------|
| | | | YM155 | YM155D | YM135 | YM135D | | | | |
| 36- 72 | CIRCLIP 20-S | 22242-000200 | | 1 | | 10 | | | | |
| | CIRCLIP 21-S | 22242-000210 | | 1 | | 10 | N | [1] | | |
| 36- 73 | RING, differential lock shaft | 194200-35320 | | 1 | | 10 | | | | |
| 36- 74 | SPRING | 194240-26451 | | 1 | | | | | | |
| | SPRING | 194340-26450 | | 1 | | | N | [1] | | |
| 36- 75 | COLLAR 25 x 30 x 34 | 194340-26370 | | 1 | | | | | | |
| 36- 76 | BUSH | 194240-26280 | | 1 | | | | | | |
| 36- 77 | SHAFT, P.T.O. | 194340-26410 | | 1 | | | | | | |
| 36- 78 | GEAR 25 | 194200-26241 | | 1 | | | | | Misprint | |
| | GEAR 24 | 194340-26240 | | 1 | | | S | [1] | Misprint | |
| | GEAR 24 | 194340-26241 | | 1 | | | S | [4] | Misprint | |
| | GEAR 24 | 194340-26421 | | 1 | | | S | [4] | | |
| 36- 79 | COLLAR 30.5 x 37.5 x 20.5 | 194200-26450 | | 1 | | | | | | |
| 36- 80 | SEAL COLLAR 30 x 40 x 15 | 194200-26460 | | 1 | | | | | | |
| 36- 81 | OIL SEAL TC 40628 | 195140-13650 | | 1 | | 10 | | | | |
| 36- 82 | CIRCLIP 30-S | 22242-000300 | | 1 | | 10 | | | | |
| 36- 83 | CIRCLIP 62-H | 22252-000620 | | 1 | | 10 | | | | |
| 36- 84 | BALL BEARING 6205 | 24101-062054 | | 1 | | | | | | |
| 36- 85 | BALL BEARING 6208 | 24101-062064 | | 1 | | | | | | |
| 36- 86 | LINER 16 x 21 x 1 | 194340-25290 | | 1 | | 10 | W | [4] | | |

Fig. 37 TRANSMISSION INTERIOR (ENGLAND) [YM155,YM155D]

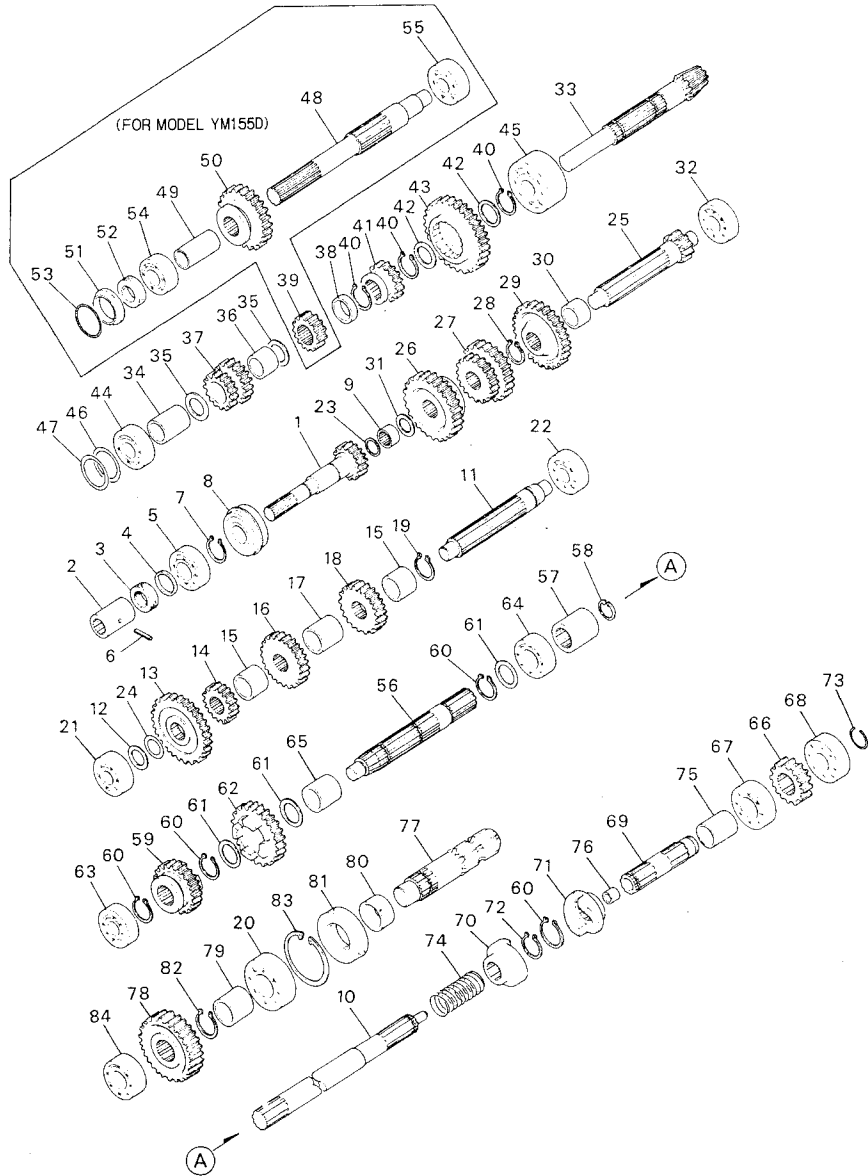


Fig. 37 TRANSMISSION INTERIOR (ENGLAND) [YM155,YM155D]

| Refer. No. | Description | Part No. | Q'ty/Unit | | | | Inter-changeability | Design-change Mark | Remarks |
|------------|------------------------------------|--------------|-----------|--------|-------|--------|---------------------|--------------------|---------|
| | | | YM155 | YM155D | YM135 | YM135D | | | |
| 37- 1 | SHAFT, main | 194340-25200 | 1 | 1 | | | | | |
| 37- 2 | JOINT, main shaft 30d x 66L | 194200-25220 | 1 | 1 | | | | | |
| 37- 3 | OIL SEAL TC20357 | 194200-25240 | 1 | 1 | | 10 | | | |
| 37- 4 | SPACER, main shaft 30d x 1.0w | 194200-25270 | 1 | 1 | | | | | |
| 37- 5 | BALL BEARING 6204 | 24101-062044 | 1 | 1 | | | | | |
| 37- 6 | SPRING PIN 4 x 32 | 22351-040032 | 1 | 1 | | 10 | | | |
| 37- 7 | CIRCLIP 25-S | 22242-000250 | 1 | 1 | | 10 | | | |
| 37- 8 | BALL BEARING 6205NR | 194200-25260 | 1 | 1 | | | | | |
| 37- 9 | NEEDLE BEARING KT152111 | 194340-25250 | 1 | 1 | | | | | |
| 37- 10 | SHAFT, connecting | 194340-26361 | 1 | 1 | | | | | |
| 37- 11 | SHAFT, driven 24.667d x 169L | 194340-25303 | 1 | 1 | | | | | |
| 37- 12 | LINER 18 x 30 x 1 | 194200-25280 | 1 | 1 | | 10 | | | |
| 37- 13 | GEAR 26, driven 83.7d x 21.7id | 194340-25310 | 1 | 1 | | | | | |
| 37- 14 | GEAR 13, driven 48d x 21.7id | 194340-25320 | 1 | 1 | | | | | |
| 37- 15 | COLLAR 25 x 32 x 24 | 194340-25660 | 2 | 2 | | | | | |
| 37- 16 | GEAR 18, driven 70.9d x 12w | 194340-25341 | 1 | 1 | | | | | |
| 37- 17 | COLLAR 25 x 32 x 31 | 194340-25350 | 1 | 1 | | | | | |
| 37- 18 | GEAR 15, driven 61.55d x 12w | 194340-25362 | 1 | 1 | | | | | |
| 37- 19 | CIRCLIP 25-S | 22242-000250 | 1 | 1 | | | | | |
| 37- 20 | BALL BEARING 6206 | 24101-062064 | 1 | 1 | | | | | |
| 37- 21 | BALL BEARING 6303 | 24101-063034 | 1 | 1 | | | | | |
| 37- 22 | BALL BEARING 6303 | 24101-063034 | 1 | 1 | | | | | |
| 37- 23 | LINER 16 x 21 x 1 | 194340-25290 | 1 | 1 | | 10 | | | |
| 37- 24 | SHIM 25, driven shaft adjusting | 194200-25470 | - | - | | 10 | | | |
| 37- 25 | SHAFT, main change 40d x 154L | 194340-25400 | 1 | 1 | | | | | |
| 37- 26 | GEAR 25, 1st/reverse sliding | 194340-25410 | 1 | 1 | | | | | |
| 37- 27 | GEAR 14/17, 2nd/3rd sliding | 194340-25421 | 1 | 1 | | | | | |
| 37- 28 | CIRCLIP 25-S | 22242-000250 | 1 | 1 | | 10 | | | |
| 37- 29 | GEAR 31, main 82.3d x 14w | 194340-25430 | 1 | 1 | | | | | |

Fig. 37 TRANSMISSION INTERIOR (ENGLAND) [YM155, YM155D]

| Refer. No. | Description | Part No. | Q'ty/Unit | | | | Sales Unit | Inter-changeability | Design-change Mark | Remarks |
|------------|-----------------------------------|--------------|-----------|--------|-------|--------|------------|---------------------|--------------------|---------|
| | | | YM155 | YM155D | YM135 | YM135D | | | | |
| 37- 30 | COLLAR 25 x 30 x 13 | 194200-25440 | 1 | 1 | | | | | | |
| 37- 31 | LINER 15.5 x 28 x 1 | 194200-25450 | 1 | 1 | | 10 | | | | |
| 37- 32 | BALL BEARING 6303 | 24101-063034 | 1 | 1 | | | | | | |
| 37- 33 | COUNTER SHAFT | 194200-25500 | 1 | 1 | | | | | | |
| 37- 34 | COLLAR 21 x 27 x 36.5 | 194200-25510 | 1 | 1 | | | | | | |
| 37- 35 | LINER 20 x 35 x 1 | 1A1040-23220 | 2 | 2 | | 10 | | | | |
| 37- 36 | METAL 20 x 25 x 22 | 194200-25520 | 1 | 1 | | | | | | |
| 37- 37 | GEAR 14/14, reverse | 194340-25530 | 1 | 1 | | | | | | |
| 37- 38 | COLLAR 25 x 32 x 9 | 194200-25610 | 1 | | | | | | In place of 37-39. | |
| 37- 39 | GEAR 20, front driving | 194341-25540 | 1 | | | | | | | |
| 37- 40 | CIRCLIP 25-S | 22242-000250 | 3 | 3 | | 10 | | | | |
| 37- 41 | GEAR 16, low-hi sliding | 194200-25550 | 1 | 1 | | | | | | |
| 37- 42 | LINER 25 x 33 x 1.6 | 194200-25560 | 2 | 2 | | 10 | | | | |
| 37- 43 | GEAR 34, low-hi reduction | 194200-25810 | 1 | 1 | | | | | | |
| 37- 44 | BALL BEARING 7204, angular | 194200-25570 | 1 | 1 | | | | | | |
| 37- 45 | BALL BEARING, double-row angular | 194200-25581 | 1 | 1 | | | | | | |
| 37- 46 | SHIM 0.1, counter shaft adjusting | 194200-25590 | - | - | | 10 | | | | |
| 37- 47 | SHIM 0.3, counter shaft adjusting | 194200-25600 | - | - | | 10 | | | | |
| 37- 48 | SHAFT, front P.T.O. | 194210-26100 | 1 | | | | | | | |
| 37- 49 | COLLAR 20.5 x 25 x 40 | 194210-26110 | 1 | | | | | | | |
| 37- 50 | GEAR 25, front P.T.O. sliding | 194341-26120 | 1 | | | | | | | |
| 37- 51 | RETAINER, bearing | 194210-26130 | 1 | | | | | | | |
| 37- 52 | OIL SEAL TC20357 | 194210-25240 | 1 | | | 10 | | | | |
| 37- 53 | O-RING 41-P | 24311-000410 | 1 | | | 10 | | | | |
| 37- 54 | BALL BEARING 6204 | 24101-062044 | 1 | | | | | | | |
| 37- 55 | BALL BEARING 6303 | 24101-063034 | 1 | | | | | | | |
| 37- 56 | SHAFT, P.T.O. driving | 194340-26311 | 1 | | | | | | | |

Fig. 37 TRANSMISSION INTERIOR (ENGLAND) [YM155, YM155D]

| Refer. No. | Description | Part No. | Q'ty/Unit | | | | Sales Unit | Inter-changeability | Design-change Mark | Remarks |
|------------|-------------------------------|--------------|-----------|--------|-------|--------|------------|---------------------|-----------------------|---------|
| | | | YM155 | YM155D | YM135 | YM135D | | | | |
| 37- 57 | JOINT, P.T.O. driving shaft | 194200-26320 | 1 | 1 | | | | | | |
| 37- 58 | CIRCLIP 22-H | 22252-000220 | 1 | 1 | | 10 | | | | |
| 37- 59 | GEAR 16, P.T.O. sliding | 194340-26341 | 1 | 1 | | | | | | |
| 37- 60 | CIRCLIP 25-S | 22242-000250 | 4 | 4 | | 10 | | | | |
| 37- 61 | LINER 25 x 33 x 1.6 | 194200-25560 | 3 | 3 | | 10 | | | In common with 37-42. | |
| 37- 62 | GEAR 19, P.T.O. reduction | 194340-26352 | 1 | 1 | | | | | | |
| 37- 63 | BALL BEARING 6303 | 24101-063034 | 1 | 1 | | | | | | |
| 37- 64 | BALL BEARING 6205 | 24101-062054 | 1 | 1 | | | | | | |
| 37- 65 | COLLAR 25 x 32 x 31 | 194340-25350 | 1 | 1 | | | | | | |
| 37- 66 | GEAR 14, P.T.O. reduction | 194340-26392 | 1 | 1 | | | | | by set with 37-78. | |
| 37- 67 | BALL BEARING 6205 | 24101-062054 | 1 | 1 | | | | | | |
| 37- 68 | BALL BEARING 6304 | 24101-063044 | 1 | 1 | | | | | | |
| 37- 69 | SHAFT, P.T.O. reduction | 194340-26390 | 1 | 1 | | | | | | |
| 37- 70 | CLUTCH (A) | 194340-26511 | 1 | 1 | | | | | | |
| 37- 71 | CLUTCH (B) | 194340-26520 | 1 | 1 | | | | | | |
| 37- 72 | CIRCLIP 21-S | 22242-000210 | 1 | 1 | | 10 | | | | |
| 37- 73 | RING, differential lock shaft | 194200-35320 | 1 | 1 | | 10 | | | | |
| 37- 74 | SPRING | 194340-26450 | 1 | 1 | | | | | | |
| 37- 75 | COLLAR 25 x 30 x 34 | 194340-26370 | 1 | 1 | | | | | | |
| 37- 76 | BUSH | 194240-26280 | 1 | 1 | | | | | | |
| 37- 77 | SHAFT, P.T.O. | 194200-26410 | 1 | 1 | | | | | | |
| 37- 78 | GEAR 24 | 194340-26421 | 1 | 1 | | | | | | |
| 37- 79 | COLLAR 30.5 x 37.5 x 20.5 | 194200-26450 | 1 | 1 | | | | | | |
| 37- 80 | SEAL COLLAR 30 x 40 x 15 | 194200-26460 | 1 | 1 | | | | | | |
| 37- 81 | OIL SEAL TC 40628 | 195140-13660 | 1 | 1 | | 10 | | | | |
| 37- 82 | CIRCLIP 30-S | 22242-000300 | 1 | 1 | | 10 | | | | |
| 37- 83 | CIRCLIP 62-H | 22252-000620 | 1 | 1 | | 10 | | | | |
| 37- 84 | BALL BEARING 6205 | 24101-062054 | 1 | 1 | | | | | | |

Fig. 38 TRANSMISSION INTERIOR [YM135,YM135D]

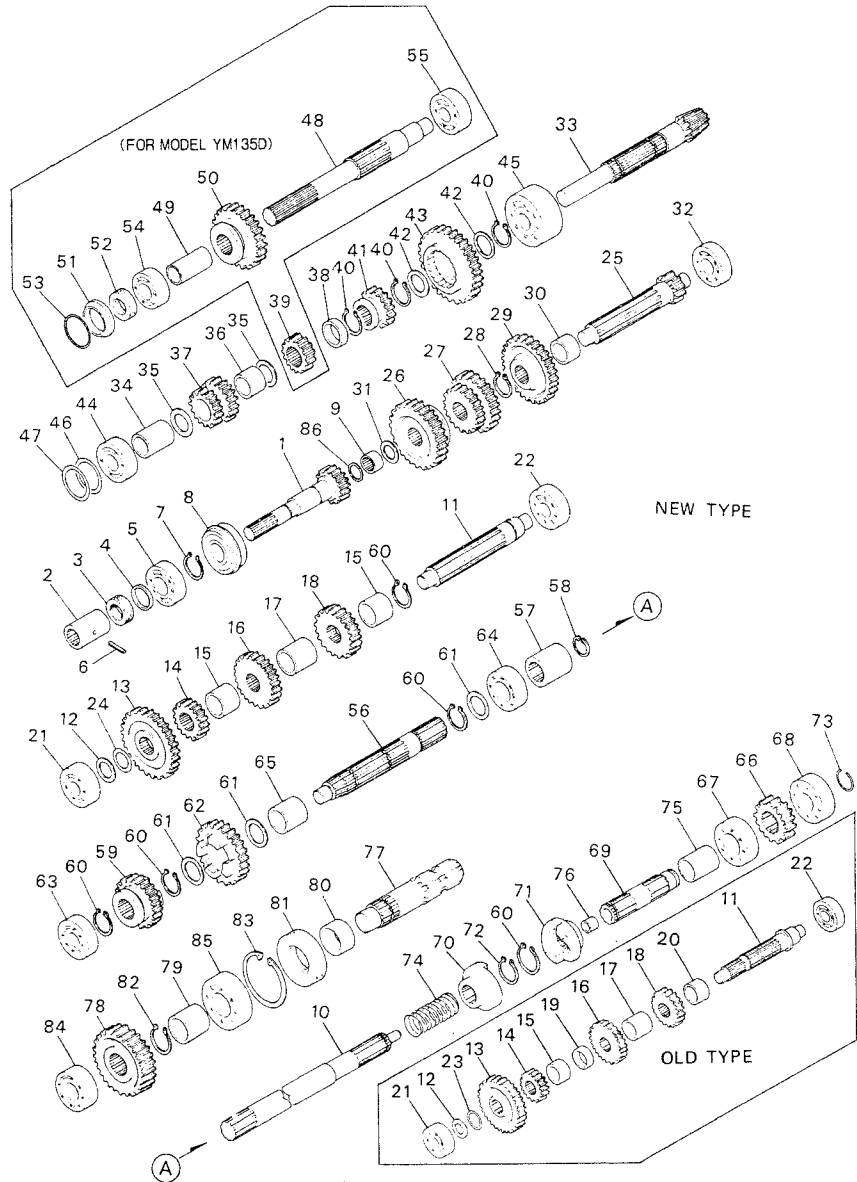


Fig. 38 TRANSMISSION INTERIOR [YM135,YM135D]

| Refer. No. | Description | Part No. | Qty/Unit | | | Sales Unit | Inter-change ability | Design-change Mark | Remarks |
|------------|------------------------------------|--------------|----------|--------|-------|------------|----------------------|--------------------|--|
| | | | YM135 | YM135D | YM135 | | | | |
| 38- 1 | SHAFT, main | 194200-25201 | | | 1 | 1 | | | |
| | SHAFT, main | 194340-25200 | | | 1 | 1 | S | [4] | 2 grooves provided at the 25o outer dia. part. |
| 38- 2 | JOINT, main shaft 30d x 66L | 194200-25220 | | | 1 | 1 | | | |
| 38- 3 | OIL SEAL TC20357 | 194200-25240 | | | 1 | 10 | | | |
| 38- 4 | SPACER, main shaft 30d x 1.0w | 194200-25270 | | | 1 | 1 | | | |
| 38- 5 | BALL BEARING 6204 | 24101-062044 | | | 1 | 1 | | | |
| 38- 6 | SPRING PIN 4 x 32 | 22351-040032 | | | 1 | 10 | | | |
| 38- 7 | CIRCLIP 25-S | 22242-000250 | | | 1 | 10 | | | |
| 38- 8 | BALL BEARING 6205NR | 194200-25260 | | | 1 | 1 | | | |
| 38- 9 | NEEDLE BEARING 15 x 21 x 12 | 194200-25250 | | | 1 | 1 | | | |
| | NEEDLE BEARING KT152111 | 194340-25250 | | | 1 | 1 | S | [4] | |
| 38- 10 | SHAFT, connecting | 194340-26360 | | | 1 | 1 | | | |
| | SHAFT, connecting | 194340-26361 | | | 1 | 1 | N | [1] | |
| 38- 11 | SHAFT, driven 24.667d x 169L | 194200-25301 | | | 1 | 1 | | | |
| | SHAFT, driven 32d x 169L | 194340-25302 | | | 1 | 1 | N | [1] | |
| | SHAFT, driven 24.667d x 169L | 194340-25303 | | | 1 | 1 | S | [4] | |
| 38- 12 | LINER 17 x 30 x 1 | 1A1040-23210 | | | 1 | 10 | | | |
| | LINER 18 x 30 x 1 | 194200-25280 | | | 1 | 10 | N | [4] | |
| 38- 13 | GEAR 26, driven 83.7d x 18.35id | 194200-25310 | | | 1 | 1 | | | |
| | GEAR 26, driven 83.7d x 21.7id | 194340-25310 | | | 1 | 1 | S | [4] | |
| 38- 14 | GEAR 12, driven 45d x 18.35id | 194200-25320 | | | 1 | 1 | | | |
| | GEAR 13, driven 48d x 21.7id | 194340-25320 | | | 1 | 1 | S | [4] | |
| 38- 15 | COLLAR 21.4 x 32 x 25 | 194200-25331 | | | 1 | 1 | | | |
| | COLLAR 21.4 x 32 x 15 | 194340-25332 | | | 1 | 1 | N | [1] | |
| | COLLAR 25 x 32 x 24 | 194340-25660 | | | 2 | 2 | S | [4] | |
| 38- 16 | GEAR 21, driven 68.7d x 11w | 194200-25340 | | | 1 | 1 | | | |
| | GEAR 21, driven 68.7d x 11w | 194340-25340 | | | 1 | 1 | N | [1] | * 5 * stamped on gear lateral. |
| | GEAR 18, driven 70.9d x 12w | 194340-25341 | | | 1 | 1 | S | [4] | |

Fig. 38 TRANSMISSION INTERIOR [YM135, YM135D]

| Refer. No. | Description | Part No. | Qty/Unit | | | Sales Unit | Inter-change ability | Design-change Mark | Remarks |
|------------|---------------------------------|-------------------------|----------|--------|-------|------------|----------------------|----------------------------------|---------|
| | | | YM135 | YM135D | YM135 | | | | |
| 38- 17 | COLLAR 25 x 32 x 30 | 194200-25350 | | 1 | 1 | | | | |
| | COLLAR 25 x 32 x 31 | 194340-25351 | | 1 | 1 | | S | Misprint | |
| | COLLAR 25 x 32 x 31 | 194340-25350 | | 1 | 1 | | N [4] | | |
| 38- 18 | GEAR 17, driven 57d x 11w | 194340-25360 | | 1 | 1 | | | | |
| | GEAR 17, driven 59.12d x 11w | 194340-25361 | | 1 | 1 | | N [1] | | |
| | GEAR 15, driven 61.55d x 12w | 194340-25362 | | 1 | 1 | | S [4] | | |
| 38- 19 | LINER 20 x 32 x 2 | 194200-25370 | | 1 | 1 | | | | |
| | COLLAR 25 x 32 x 10 | 194340-25371 | | 1 | 1 | | N [1] | | |
| | COLLAR 25 x 32 x 10 | 194340-25371 | | 1 | 1 | | Z [4] | | |
| 38- 20 | COLLAR 20 x 26 x 39.5 | 194200-25380 | | 1 | 1 | | | | |
| | COLLAR 25 x 32 x 20.5 | 194340-25381 | | 1 | 1 | | N [1] | | |
| | COLLAR 25 x 32 x 20.5 | 194340-25381 | | 1 | 1 | | Z [4] | | |
| 38- 21 | BALL BEARING 6303 | 24101-063034 | | 1 | 1 | | | | |
| 38- 22 | BALL BEARING 6303 | 24101-063034 | | 1 | 1 | | | | |
| 38- 23 | SHIM 22, driven shaft adjusting | 194200-25460 | | - | - | 10 | Z [4] | | |
| 38- 24 | SHIM 25, driven shaft adjusting | 194200-25470 | | - | - | 10 | | | |
| 38- 25 | SHAFT, main change 40d x 154L | 194200-25400 | | 1 | 1 | | | | |
| | SHAFT, main change 40d x 154L | 194340-25400 | | 1 | 1 | | S [4] | 2 grooves provided to the shaft. | |
| 38- 26 | GEAR 26, 1st/reverse sliding | 194200-25410 | | 1 | 1 | | | | |
| | GEAR 25, 1st/reverse sliding | 194340-25410 | | 1 | 1 | | S [4] | | |
| 38- 27 | GEAR 17/21, 2nd/3rd sliding | 194340-25420 | | 1 | 1 | | N [1] | | |
| | GEAR 14/17, 2nd/3rd sliding | 194340-25421 | | 1 | 1 | | S [4] | | |
| 38- 28 | CIRCLIP 25-S | 22242-000250 | | 1 | 1 | 10 | | | |
| 38- 29 | GEAR 31, main 82.3d x 16w | 194200-25430 | | 1 | 1 | | | | |
| | GEAR 31, main 82.3d x 14w | 194340-25430 | | 1 | 1 | | S [4] | | |
| 38- 30 | COLLAR 25 x 30 x 13 | 194200-25440 | | 1 | 1 | | | | |
| 38- 31 | LINER 15.5 x 28 x 1 | 194200-25450 | | 1 | 1 | 10 | | | |

Fig. 38 TRANSMISSION INTERIOR [YM135, YM135D]

| Refer. No. | Description | Part No. | Qty/Unit | | | Sales Unit | Inter-change ability | Design-change Mark | Remarks |
|------------|----------------------------------|--------------|----------|--------|-------|------------|----------------------|--------------------|---------|
| | | | YM135 | YM135D | YM135 | | | | |
| 38- 32 | BALL BEARING 6303 | 24101-063034 | | 1 | 1 | | | | |
| 38- 33 | COUNTER SHAFT | 194200-25500 | | 1 | 1 | | | | |
| 38- 34 | COLLAR 21 x 27 x 36.5 | 194200-25510 | | 1 | 1 | | | | |
| 38- 35 | LINER 20 x 35 x 1 | 1A1040-23220 | | 2 | 2 | 10 | | | |
| 38- 36 | METAL 20 x 25 x 22 | 194200-25520 | | 1 | 1 | | | | |
| 38- 37 | GEAR 13/18, reverse | 194200-25530 | | 1 | 1 | | | | |
| | GEAR 14/14, reverse | 194340-25530 | | 1 | 1 | | S [4] | | |
| 38- 38 | COLLAR 25 x 32 x 9 | 194200-25610 | | 1 | | | | In place of 38-39. | |
| 38- 39 | GEAR 17, front driving | 194391-25540 | | | 1 | | | | |
| | GEAR 16, front driving | 194210-25540 | | | 1 | | S [1] | | |
| | GEAR 21, front driving | 194391-25541 | | | 1 | | S [4] | | |
| 38- 40 | CIRCLIP 25-S | 22242-000250 | | 3 | 3 | 10 | | | |
| 38- 41 | GEAR 16, low-hi sliding | 194200-25550 | | 1 | 1 | | | | |
| 38- 42 | LINER 25 x 33 x 1.6 | 194200-25560 | | 2 | 2 | 10 | | | |
| 38- 43 | GEAR 34, low-hi reduction | 194200-25810 | | 1 | 1 | | | | |
| 38- 44 | BALL BEARING 7204, angular | 194200-25570 | | 1 | 1 | | | | |
| 38- 45 | BALL BEARING, double-row angular | 194200-25581 | | 1 | 1 | | | | |
| 38- 46 | SHIM 0.1, counter shaft | 194200-25590 | | - | - | 10 | | Selective | |
| 38- 47 | SHIM 0.3, counter shaft | 194200-25600 | | - | - | 10 | | | |
| 38- 48 | SHAFT, front P.T.O. | 194210-26100 | | | 1 | | | | |
| 38- 49 | COLLAR 20.5 x 25 x 40 | 194210-26110 | | | 1 | | | | |
| 38- 50 | GEAR 29, front P.T.O. sliding | 194210-26120 | | | 1 | | | | |
| | GEAR 24, front P.T.O. sliding | 194391-26120 | | | 1 | | S [4] | | |
| 38- 51 | RETAINER, bearing | 194210-26130 | | | 1 | | | | |
| 38- 52 | OIL SEAL TC20357 | 194210-25240 | | | 1 | 10 | | | |

Fig. 38 TRANSMISSION INTERIOR [YM135,YM135D]

| Refer. No. | Description | Part No. | Qty/Unit | | | | Sales Unit | Inter-change ability | Design-change Mark | Remarks |
|------------|--|--------------|----------|--------|-------|--------|------------|----------------------|---------------------------------------|---------|
| | | | YM155 | YM155D | YM135 | YM135D | | | | |
| 38- 53 | O-RING 41-P | 24311-000410 | | | 1 | 10 | | | | |
| 38- 54 | BALL BEARING 6204 | 24101-062044 | | | 1 | | | | | |
| 38- 55 | BALL BEARING 6303 | 24101-063034 | | | 1 | | | | | |
| 38- 56 | SHAFT, P.T.O. driving | 194340-26310 | | | 1 | 1 | | | | |
| | SHAFT, P.T.O. driving | 194340-26311 | | | 1 | 1 | S | [4] | | |
| 38- 57 | JOINT, P.T.O. driving shaft | 194200-26320 | | | 1 | 1 | | | | |
| 38- 58 | CIRCLIP 22-H | 22252-000220 | | | 1 | 10 | | | | |
| 38- 59 | GEAR 19, P.T.O. sliding | 194340-26340 | | | 1 | 1 | | | | |
| | GEAR 16, P.T.O. sliding | 194340-26341 | | | 1 | 1 | S | [4] | | |
| 38- 60 | CIRCLIP 25-S | 22242-000250 | | | 5 | 5 10 | | [4] | | |
| 38- 61 | LINER 25 x 33 x 1.6 | 194200-25560 | | | 3 | 3 10 | | | In common with 38-42. | |
| 38- 62 | GEAR 23, P.T.O. reduction | 194340-26350 | | | 1 | 1 | | | | |
| | GEAR 23, P.T.O. reduction | 194340-26351 | | | 1 | 1 | N | [1] | | |
| | GEAR 19, P.T.O. reduction | 194340-26352 | | | 1 | 1 | S | [4] | | |
| 38- 63 | BALL BEARING 6303 | 24101-063034 | | | 1 | 1 | | | | |
| 38- 64 | BALL BEARING 6205 | 24101-062054 | | | 1 | 1 | | | | |
| 38- 65 | COLLAR 25 x 32 x 32.2 | 194200-26331 | | | 1 | 1 | | | | |
| | COLLAR 25 x 32 x 31 | 194340-25350 | | | 1 | 1 | S | [4] | | |
| 38- 66 | GEAR 15, P.T.O. reduction 51d x 17w | 194262-26390 | | | 1 | 1 | | | | |
| | GEAR 15, P.T.O. reduction 51.9d x 17w | 194340-26391 | | | 1 | 1 | N | [1] | | |
| | GEAR 14, P.T.O. reduction 50.4d x 17w | 194340-26392 | | | 1 | 1 | F | [4] | Interchangeable by set with 38-78. | |
| 38- 67 | BALL BEARING 6205 | 24101-062054 | | | 1 | 1 | | | | |
| 38- 68 | BALL BEARING 6304 | 24101-063044 | | | 1 | 1 | | | | |
| 38- 69 | SHAFT, P.T.O. reduction | 194340-26380 | | | 1 | 1 | | | | |
| 38- 70 | CLUTCH (A) | 194340-26510 | | | 1 | 1 | | | | |
| | CLUTCH (A) | 194340-26511 | | | 1 | 1 | N | [1] | | |
| 38- 71 | CLUTCH (B) | 194340-26520 | | | 1 | 1 | | | | |

Fig. 38 TRANSMISSION INTERIOR [YM135,YM135D]

| Refer. No. | Description | Part No. | Qty/Unit | | | | Sales Unit | Inter-change ability | Design-change Mark | Remarks |
|------------|-------------------------------|--------------|----------|--------|-------|--------|------------|----------------------|--------------------|---------|
| | | | YM155 | YM155D | YM135 | YM135D | | | | |
| 38- 72 | CIRCLIP 20-S | 22242-000200 | | | 1 | 1 10 | | | | |
| | CIRCLIP 21-S | 22242-000210 | | | 1 | 1 10 | | N | [1] | |
| 38- 73 | RING, differential lock shaft | 194200-35320 | | | 1 | 1 10 | | | | |
| 38- 74 | SPRING | 194240-26451 | | | 1 | 1 | | | | |
| | SPRING | 194340-26450 | | | 1 | 1 | | N | [1] | |
| 38- 75 | COLLAR 25 x 30 x 34 | 194340-26370 | | | 1 | 1 | | | | |
| 38- 76 | BUSH | 194240-26280 | | | 1 | 1 | | | | |
| 38- 77 | SHAFT, P.T.O. | 194340-26410 | | | 1 | 1 | | | | |
| 38- 78 | GEAR 25 | 194200-26241 | | | 1 | 1 | | | | |
| | GEAR 24 | 194340-26240 | | | 1 | 1 | | S | [1] | |
| | GEAR 24 | 194340-26241 | | | 1 | 1 | | S | [4] | |
| | GEAR 24 | 194340-26421 | | | 1 | 1 | | S | [4] | |
| 38- 79 | COLLAR 30.5 x 37.5 x 20.5 | 194200-26450 | | | 1 | 1 | | | | |
| 38- 80 | SEAL COLLAR 30 x 40 x 15 | 194200-26460 | | | 1 | 1 | | | | |
| 38- 81 | OIL SEAL TC 40628 | 195140-13660 | | | 1 | 1 10 | | | | |
| 38- 82 | CIRCLIP 30-S | 22242-000300 | | | 1 | 1 10 | | | | |
| 38- 83 | CIRCLIP 62-H | 22252-000620 | | | 1 | 1 10 | | | | |
| 38- 84 | BALL BEARING 6205 | 24101-062054 | | | 1 | 1 | | | | |
| 38- 85 | BALL BEARING 6208 | 24101-062064 | | | 1 | 1 | | | | |
| 38- 86 | LINER 16 x 21 x 1 | 194340-25290 | | | 1 | 1 10 | | W | [4] | |

Fig. 39 TRANSMISSION CONTROL [YM155, YM155D]

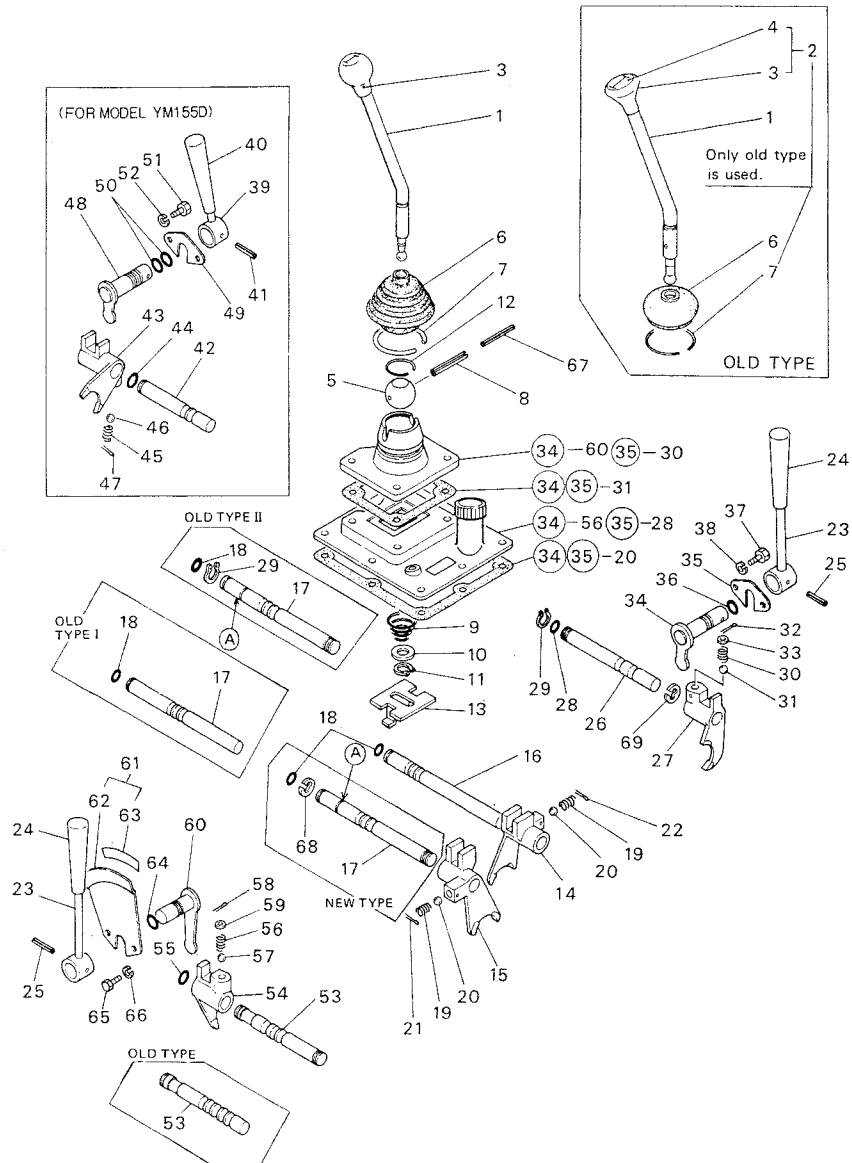


Fig. 39 TRANSMISSION CONTROL [YM155, YM155D]

| Refer. No. | Description | Part No. | Q'ty Unit | | | | Interchangeability | Design Mark | Remarks |
|------------|---|----------------|-----------|--------|-------|--------|--------------------|---|---------|
| | | | YM155 | YM155D | YM155 | YM155D | | | |
| 39- 1 | LEVER, main change | 194200-27110-X | 1 | 1 | | | | | |
| | LEVER, main change | 194201-27111-X | 1 | 1 | | | F | [5] Interchangeable by set with 39-3. | |
| 39- 2 | KNOB w/LABEL, main change lever | 194200-27140 | 1 | 1 | | | Z | [5] | |
| 39- 3 | .KNOB, main change lever | 194200-27150 | 1 | 1 | | | | | |
| | .KNOB, main change lever | 194201-27150 | 1 | 1 | | | F | [5] Interchangeable by set with 39-1. | |
| 39- 4 | .LABEL, main speed change indication | 194200-65700 | 1 | 1 | | | Z | [5] | |
| 39- 5 | BALL, speed change shifter | 1E4030-27340 | 1 | 1 | | | | | |
| 39- 6 | BOOT, rubber | 1A1040-28180 | 1 | 1 | | | | | |
| | BOOT, rubber | 194201-27170 | 1 | 1 | | | N | YM155 from No. 51851 YM155D from No. 55325 | |
| 39- 7 | CIRCLIP 50 | 1A1040-26190 | 1 | 1 | | | 10 | Z | |
| 39- 8 | SPRING PIN 5 x 40 | 22351-050040 | 1 | 1 | | | 10 | | |
| 39- 9 | SPRING, change lever | 194200-27160 | 1 | 1 | | | | | |
| 39- 10 | WASHER 12, plain | 22117-120000 | 1 | 1 | | | 10 | | |
| 39- 11 | CIRCLIP 12 | 22242-000120 | 1 | 1 | | | 10 | | |
| 39- 12 | CIRCLIP 30 | 1A1040-26320 | 1 | 1 | | | 10 | | |
| 39- 13 | GUIDE, safety | 194200-27181 | 1 | 1 | | | | | |
| 39- 14 | FORK, reverse/1st speed shift | 194200-27310 | 1 | 1 | | | | | |
| 39- 15 | FORK, 2nd/3rd speed shift | 194200-27320 | 1 | 1 | | | | | |
| | FORK, 2nd/3rd speed shift | 194340-27320 | 1 | 1 | | | S | [4] | |
| 39- 16 | SHAFT, reverse/1st fork | 194200-27350 | 1 | 1 | | | | | |
| 39- 17 | SHAFT, 2nd/3rd fork | 194200-27360 | 1 | 1 | | | | | |
| | SHAFT, 2nd/3rd fork, A part groove dia. = 140 | 194340-27360 | 1 | 1 | | | S | [4] Interchangeable by set with 39-68. | |
| | SHAFT, 2nd/3rd fork, A part groove dia. = 120 | 194340-27361 | 1 | 1 | | | | Misprint | |
| | SHAFT, 2nd/3rd fork, A part groove dia. = 120 | 194340-27631 | 1 | 1 | | | F | YM155 from No. 51108 YM155D from No. 51281 | |

Fig. 39 TRANSMISSION CONTROL [YM155,YM155D]

| Refer. No. | Description | Part No. | Qty/Unit | | | | Inter-changeability | Design-change Mark | Remarks |
|------------|----------------------------|----------------|----------|--------|-------|--------|---------------------|---|---------|
| | | | YM155 | YM155D | YM135 | YM135D | | | |
| 39- 18 | O-RING 11-P | 24311-000110 | 2 | 2 | | 10 | | | |
| 39- 19 | SPRING, shift fork | 194200-27330 | 2 | 2 | | | | | |
| | SPRING, shift fork | 1A1040-26750 | 2 | 2 | | | N | | |
| 39- 20 | BALL 5/16 | 1A1120-27770 | 2 | 2 | | 10 | | | |
| | BALL 5/16 | 24190-100002 | 2 | 2 | | | N | | |
| 39- 21 | COTTER PIN 3 x 25 | 22417-300250 | 1 | 1 | | 10 | | | |
| 39- 22 | COTTER PIN 3 x 20 | 22417-300200 | 1 | 1 | | 10 | | | |
| 39- 23 | LEVER, low-hi change | 194200-27510 | 2 | 2 | | | | | |
| | LEVER, low-hi change | 194200-27510-X | 2 | 2 | | | N | | |
| 39- 24 | GRIP, lever | 193884-30247 | 2 | 2 | | | | | |
| 39- 25 | SPRING PIN 6 x 25 | 22351-060025 | 2 | 1 | | 10 | | | |
| 39- 26 | SHAFT, low-hi fork | 194200-27600 | 1 | 1 | | | | | |
| | SHAFT, low-hi fork | 194340-27600 | 1 | 1 | | | S | [4] | |
| 39- 27 | FORK, low-hi shift | 194200-27610 | 1 | 1 | | | | | |
| 39- 28 | O-RING 11-P | 24311-000110 | 1 | 1 | | 10 | | | |
| 39- 29 | CIRCLIP 15-S | 22242-000150 | 2 | 2 | | 10 | | | |
| | CIRCLIP 15-S | 22242-000150 | 1 | 1 | | 10 | K | YM155 - from No. 51108 YM155D - from No. 51281 | |
| 39- 30 | SPRING, low-hi shift fork | 194200-27620 | 1 | 1 | | | | | |
| 39- 31 | BALL 5/16 | 1A1120-27770 | 1 | 1 | | 10 | | | |
| | BALL 5/16 | 24190-100002 | 1 | 1 | | | N | | |
| 39- 32 | COTTER PIN 3 x 20 | 22417-300200 | 1 | 1 | | 10 | | | |
| 39- 33 | SPRING WASHER, shift fork | 194200-27630 | 1 | 1 | | 10 | | | |
| 39- 34 | SHIFTER, low-hi change | 194200-27650 | 1 | 1 | | | | | |
| 39- 35 | STOPPER, shifter | 194200-27680 | 1 | 1 | | | | | |
| 39- 36 | O-RING 14-P | 24311-000140 | 1 | 1 | | 10 | | | |
| 39- 37 | BOLT M6 x 14 | 26116-060142 | 2 | 2 | | 10 | | | |
| | BOLT M6 x 14 | 26013-060149 | 2 | 2 | | | Z | | |
| 39- 38 | SPRING WASHER 6 | 22217-060000 | 2 | 2 | | 10 | | | |
| 39- 39 | LEVER, front P.T.O. change | 194210-27701 | 1 | | | | | | |

Fig. 39 TRANSMISSION CONTROL [YM155,YM155D]

| Refer. No. | Description | Part No. | Qty/Unit | | | | Inter-changeability | Design-change Mark | Remarks |
|------------|------------------------------|--------------|----------|--------|-------|--------|---------------------|-----------------------|---------|
| | | | YM155 | YM155D | YM135 | YM135D | | | |
| 39- 40 | GRIP, lever | 194210-27550 | | 1 | | | | | |
| 39- 41 | SPRING PIN 6 x 25 | 22351-060025 | | 1 | | 10 | | | |
| 39- 42 | SHAFT, front P.T.O. fork | 194210-27750 | | 1 | | | | | |
| 39- 43 | FORK, front P.T.O. shift | 194210-27760 | | 1 | | | | | |
| 39- 44 | O-RING 11-P | 24311-000110 | | 1 | | 10 | | | |
| 39- 45 | SPRING, shift fork | 194200-27330 | | 1 | | | | In common with 39-56. | |
| | SPRING, shift fork | 1A1040-26750 | | 1 | | | N | | |
| 39- 46 | BALL 5/16 | 1A1120-27770 | | 1 | | 10 | | | |
| | BALL 5/16 | 24190-100002 | | 1 | | | N | | |
| 39- 47 | COTTER PIN 3 x 20 | 22417-300200 | | 1 | | 10 | | | |
| 39- 48 | SHIFTER, front P.T.O. change | 194210-27780 | | 1 | | | | | |
| 39- 49 | STOPPER, shifter | 194200-27680 | | 1 | | | | In common with 39-35. | |
| 39- 50 | O-RING 14-P | 24311-000140 | | 2 | | 10 | | | |
| 39- 51 | BOLT M6 x 14 | 26116-060142 | | 2 | | 10 | | | |
| | BOLT M6 x 14 | 26013-060149 | | 2 | | | N | | |
| 39- 52 | SPRING WASHER 6 | 22217-060000 | | 2 | | 10 | Z | | |
| 39- 53 | SHAFT, P.T.O. fork | 194200-27830 | | 1 | 1 | | | | |
| | SHAFT, P.T.O. fork | 194340-27830 | | 1 | 1 | | S | [4] | |
| 39- 54 | FORK, P.T.O. shift | 194200-27840 | | 1 | 1 | | | | |
| 39- 55 | O-RING 11-P | 24311-000110 | | 1 | 1 | 10 | | | |
| 39- 56 | SPRING, shift fork | 194200-27330 | | 1 | 1 | | | | |
| | SPRING, shift fork | 1A1040-26750 | | 1 | 1 | | N | | |
| 39- 57 | BALL 5/16 | 1A1120-27770 | | 1 | 1 | 10 | | | |
| | BALL 5/16 | 24190-100002 | | 1 | 1 | | N | | |
| 39- 58 | COTTER PIN 3 x 25 | 22417-300250 | | 1 | 1 | 10 | | | |
| 39- 59 | SPRING WASHER, shift fork | 194200-27630 | | 1 | 1 | | | | |
| 39- 60 | SHIFTER, P.T.O. change | 194200-27860 | | 1 | 1 | | | | |

Fig. 39 TRANSMISSION CONTROL [YM155,YM155D]

| Refer. No. | Description | Part No. | Q'ty/Unit | | | | Sales Unit | Inter-change ability | Design-change Mark | Remarks |
|------------|---------------------------------------|--------------|-----------|--------|-------|--------|------------|----------------------|---|---------|
| | | | YM155 | YM155D | YM135 | YM135D | | | | |
| 39- 61 | GUIDE w/LABEL, P.T.O. change lever | 194200-27890 | 1 | 1 | | | | | | |
| | GUIDE w/LABEL, P.T.O. change lever | 194340-27890 | 1 | 1 | | | N | [1] | | |
| | GUIDE w/LABEL, P.T.O. change lever | 194340-27891 | 1 | 1 | | | S | [4] | | |
| | GUIDE w/LABEL, P.T.O. change lever | 194340-27891 | 1 | 1 | | | Z | | | |
| 39- 62 | .GUIDE, P.T.O. change lever | 194200-27900 | 1 | 1 | | | | | | |
| 39- 63 | .LABEL, P.T.O. speed change | 194340-65673 | 1 | 1 | | | | | | |
| | .LABEL, P.T.O. speed change | 194340-65674 | 1 | 1 | | | N | [1] | | |
| | .LABEL, P.T.O. speed change | 194340-65675 | 1 | 1 | | | S | [4] | | |
| | .LABEL, P.T.O. speed change | 194340-65675 | 1 | 1 | | | Z | | | |
| 39- 64 | O-RING 14-P | 24311-000140 | 1 | 1 | | 10 | | | | |
| 39- 65 | BOLT M6 x 14 | 26116-060142 | 2 | 2 | | 10 | | | | |
| | BOLT M6 x 14 | 26013-060149 | 2 | 2 | | | N | | | |
| 39- 66 | SPRING WASHER 6 | 22217-060000 | 2 | 2 | | 10 | Z | | | |
| 39- 67 | SPRING PIN 3 x 40 | 22351-030040 | 1 | 1 | | 10 | W | [3] | | |
| 39- 68 | SNAP RING E-12 | 22272-000120 | 1 | 1 | | 10 | W | | YM155 from No. 51108 YM155D - from No. 51281 | |
| 39- 69 | SNAP RING E-12 | 22272-000120 | 1 | 1 | | 10 | W | | | |

Fig. 40 TRANSMISSION CONTROL [YM135,YM135D]

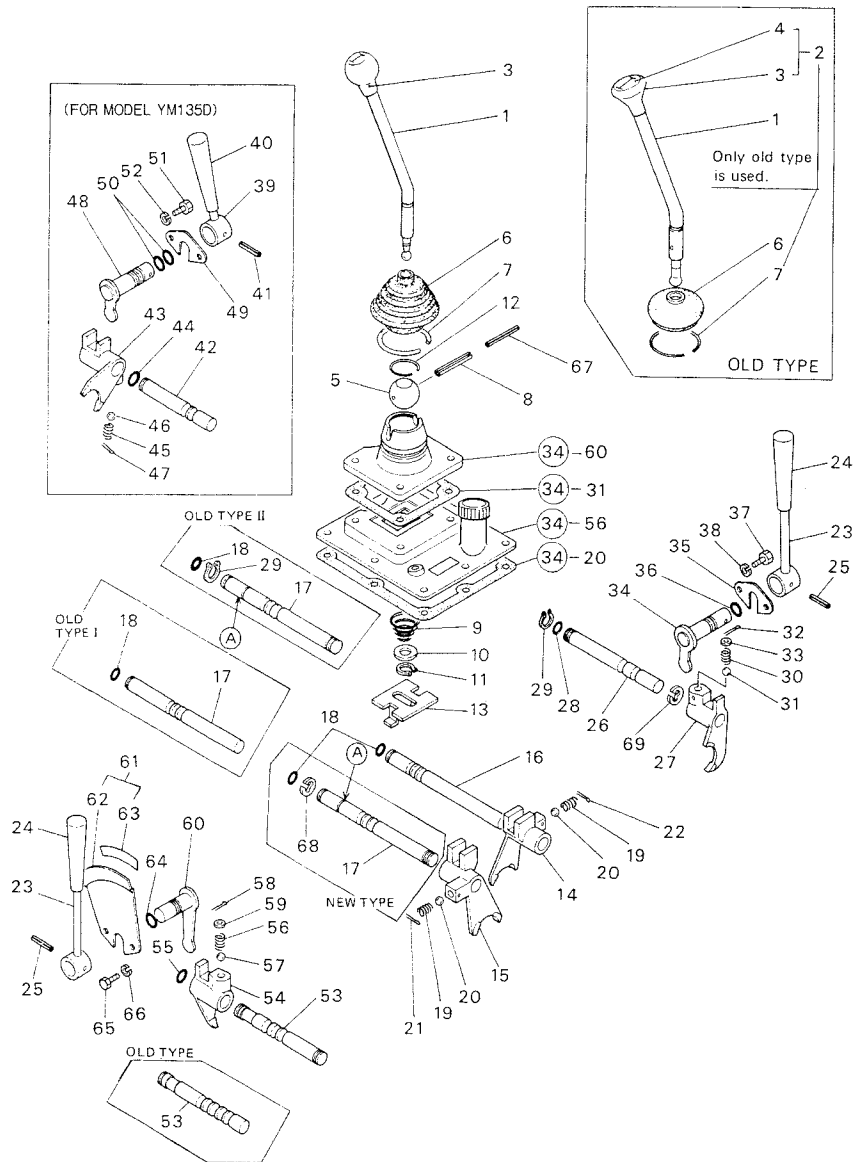


Fig. 40 TRANSMISSION CONTROL [YM135,YM135D]

| Refer. No. | Description | Part No. | Qty/Unit | | | Sales Unit | Inter-changeability | Design-change Mark | Remarks |
|------------|---|----------------|----------|--------|-------|------------|---------------------|--------------------|---|
| | | | YM135 | YM135D | YM135 | | | | |
| 40- 1 | LEVER, main change | 194200-27110-X | | | 1 | 1 | | | |
| | LEVER, main change | 194201-27111-X | | | 1 | 1 | F | [5] | Interchangeable by set with 40-3. |
| 40- 2 | KNOB w/LABEL, main change lever | 194200-27140 | | | 1 | 1 | Z | [5] | |
| 40- 3 | .KNOB, main change lever | 194200-27150 | | | 1 | 1 | | | |
| | .KNOB, main change lever | 194201-27150 | | | 1 | 1 | F | [5] | Interchangeable by set with 40-1. |
| 40- 4 | .LABEL, main speed change indication | 194200-65700 | | | 1 | 1 | Z | [5] | |
| 40- 5 | BALL, speed change shifter | 1E4030-27340 | | | 1 | 1 | | | |
| 40- 6 | BOOT, rubber | 1A1040-28180 | | | 1 | 1 | | | |
| | BOOT, rubber | 194201-27170 | | | 1 | 1 | N | | YM135 from No. 51481 YM135D from No. 51642 |
| 40- 7 | CIRCLIP 50 | 1A1040-26190 | | | 1 | 1 | 10 | Z | |
| 40- 8 | SPRING PIN 5 x 40 | 22351-050040 | | | 1 | 1 | 10 | | |
| 40- 9 | SPRING, change lever | 194200-27160 | | | 1 | 1 | | | |
| 40- 10 | WASHER 12, plain | 22117-120000 | | | 1 | 1 | 10 | | |
| 40- 11 | CIRCLIP 12 | 22242-000120 | | | 1 | 1 | 10 | | |
| 40- 12 | CIRCLIP 30 | 1A1040-26320 | | | 1 | 1 | 10 | | |
| 40- 13 | GUIDE, safety | 194200-27181 | | | 1 | 1 | | | |
| 40- 14 | FORK, reverse/1st speed shift | 194200-27310 | | | 1 | 1 | | | |
| 40- 15 | FORK, 2nd/3rd speed shift | 194200-27320 | | | 1 | 1 | | | |
| | FORK, 2nd/3rd speed sift | 194340-27320 | | | 1 | 1 | S | [4] | |
| 40- 16 | SHAFT, reverse/1st fork | 194200-27350 | | | 1 | 1 | | | |
| 40- 17 | SHAFT, 2nd/3rd fork | 194200-27360 | | | 1 | 1 | | | |
| | SHAFT, 2nd/3rd fork, A part groove dia. = 14o | 194340-27360 | | | 1 | 1 | S | [4] | Interchangeable by set with 40-68. |
| | SHAFT, 2nd/3rd fork, A part groove dia. = 12o | 194340-27631 | | | 1 | 1 | | | Misprint |
| | SHAFT, 2nd/3rd fork, A part groove dia. = 12o | 194340-27361 | | | 1 | 1 | F | | YM135 from No. 51067 YM135D from No. 51064 |

Fig. 40 TRANSMISSION CONTROL [YM135,YM135D]

| Refer. No. | Description | Part No. | Qty/Unit | | | | Inter-change ability | Design-change Mark | Remarks |
|------------|----------------------------|----------------|----------|--------|-------|--------|----------------------|--------------------|---|
| | | | YM155 | YM155D | YM135 | YM135D | | | |
| 40- 18 | O-RING 11-P | 24311-000110 | | | 2 | 2 | 10 | | |
| 40- 19 | SPRING, shift fork | 194200-27330 | | | 2 | 2 | | | |
| | SPRING, shift fork | 1A1040-26750 | | | 2 | 2 | | N | |
| 40- 20 | BALL 5/16 | 1A1120-27770 | | | 2 | 2 | 10 | | |
| | BALL 5/16 | 24190-100002 | | | 1 | 1 | 10 | N | |
| 40- 21 | COTTER PIN 3 x 25 | 22417-300250 | | | 1 | 1 | 10 | | |
| 40- 22 | COTTER PIN 3 x 20 | 22417-300200 | | | 1 | 1 | 10 | | |
| 40- 23 | LEVER, low-hi change | 194200-27510 | | | 2 | 2 | | | |
| | LEVER, low-hi change | 194200-27510-X | | | 2 | 2 | | N | |
| 40- 24 | GRIP, lever | 193884-30247 | | | 2 | 2 | | | |
| 40- 25 | SPRING PIN 6 x 25 | 22351-060025 | | | 2 | 1 | 10 | | |
| 40- 26 | SHAFT, low-hi fork | 194200-27600 | | | 1 | 1 | | | |
| | SHAFT, low-hi fork | 194340-27600 | | | 1 | 1 | | S | [4] |
| 40- 27 | FORK, low-hi shift | 194200-27610 | | | 1 | 1 | | | |
| 40- 28 | O-RING 11-P | 24311-000110 | | | 1 | 1 | 10 | | |
| 40- 29 | CIRCLIP 15-S | 22242-000150 | | | 2 | 2 | 10 | | |
| | CIRCLIP 15-S | 22242-000150 | | | 1 | 1 | 10 | K | YM135 from No. 51067 YM135D from No. 51064 |
| 40- 30 | SPRING, low-hi shift fork | 194200-27620 | | | 1 | 1 | | | |
| 40- 31 | BALL 5/16 | 1A1120-27770 | | | 1 | 1 | 10 | | |
| | BALL 5/16 | 24190-100002 | | | 1 | 1 | 10 | N | |
| 40- 32 | COTTER PIN 3 x 20 | 22417-300200 | | | 1 | 1 | 10 | | |
| 40- 33 | SPRING WASHER, shift fork | 194200-27630 | | | 1 | 1 | 10 | | |
| 40- 34 | SHIFTER, low-hi change | 194200-27650 | | | 1 | 1 | | | |
| 40- 35 | STOPPER, shifter | 194200-27680 | | | 1 | 1 | | | |
| 40- 36 | O-RING 14-P | 24311-000140 | | | 1 | 1 | 10 | | |
| 40- 37 | BOLT M6 x 14 | 26116-060142 | | | 2 | 2 | 10 | | |
| | BOLT M6 x 14 | 26013-060149 | | | 2 | 2 | 10 | N | |
| 40- 38 | SPRING WASHER 6 | 22217-060000 | | | 2 | 2 | 10 | | |
| 40- 39 | LEVER, front P.T.O. change | 194210-27701 | | | 1 | | | | |

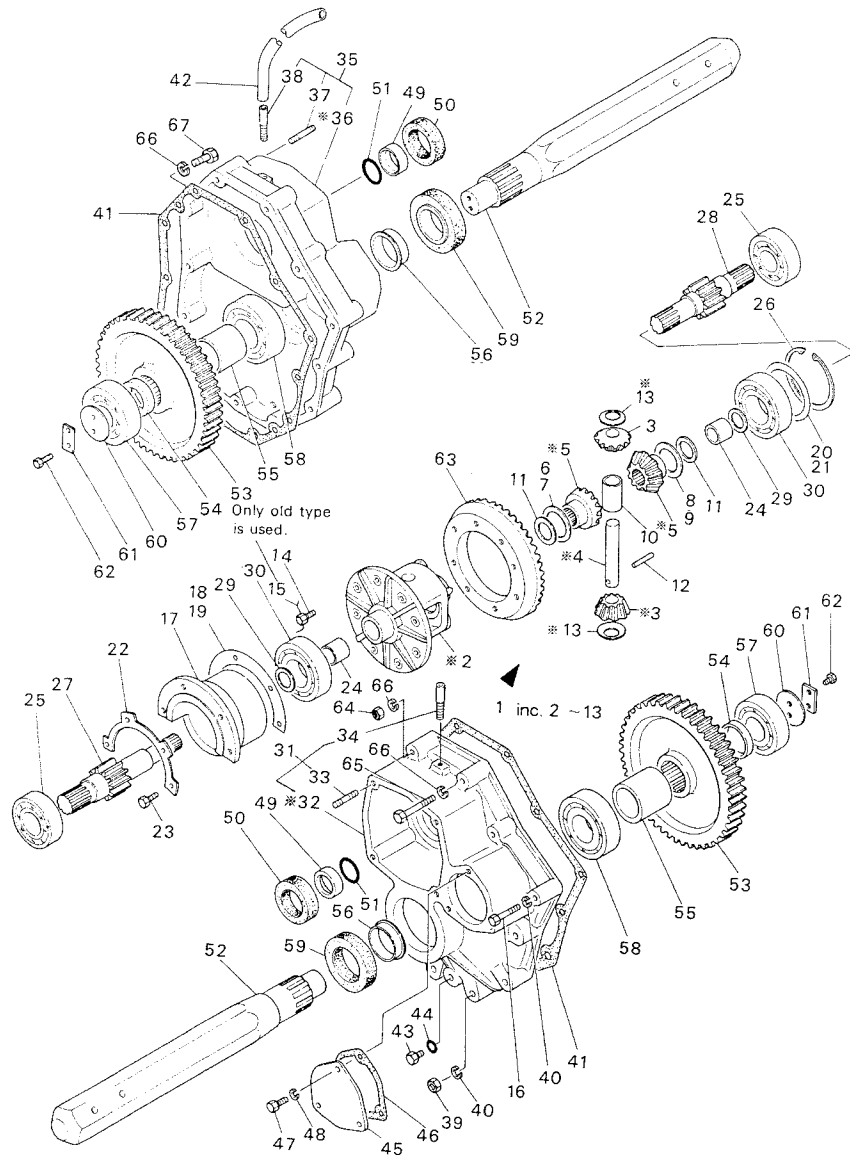
Fig. 40 TRANSMISSION CONTROL [YM135,YM135D]

| Refer. No. | Description | Part No. | Qty/Unit | | | | Inter-change ability | Design-change Mark | Remarks |
|------------|------------------------------|--------------|----------|--------|-------|--------|----------------------|--------------------|-----------------------|
| | | | YM155 | YM155D | YM135 | YM135D | | | |
| 40- 40 | GRIP, lever | 194210-27550 | | | | | 1 | | |
| 40- 41 | SPRING PIN 6 x 25 | 22351-060025 | | | | | 1 | 10 | |
| 40- 42 | SHAFT, front P.T.O. fork | 194210-27750 | | | | | 1 | | |
| 40- 43 | FORK, front P.T.O. shift | 194210-27760 | | | | | 1 | | |
| 40- 44 | O-RING 11-P | 24311-000110 | | | | | 1 | 10 | |
| 40- 45 | SPRING, shift fork | 194200-27330 | | | | | 1 | | In common with 40-56. |
| 40- 46 | BALL 5/16 | 1A1120-27770 | | | | | 1 | 10 | |
| | BALL 5/16 | 24190-100002 | | | | | 1 | 10 | N |
| 40- 47 | COTTER PIN 3 x 20 | 22417-300200 | | | | | 1 | 10 | |
| 40- 48 | SHIFTER, front P.T.O. change | 194210-27780 | | | | | 1 | | |
| 40- 49 | STOPPER, shifter | 194200-27680 | | | | | 1 | | In common with 40-35. |
| 40- 50 | O-RING 14-P | 24311-000140 | | | | | 2 | 10 | |
| 40- 51 | BOLT M6 x 14 | 26116-060142 | | | | | 2 | 10 | |
| | BOLT M6 x 14 | 26013-060149 | | | | | 2 | 10 | N |
| 40- 52 | SPRING WASHER 6 | 22217-060000 | | | | | 2 | 10 | Z |
| 40- 53 | SHAFT, P.T.O. fork | 194200-27830 | | | | | 1 | 1 | |
| | SHAFT, P.T.O. fork | 194340-27830 | | | | | 1 | 1 | S [4] |
| 40- 54 | FORK, P.T.O. shift | 194200-27840 | | | | | 1 | 1 | |
| 40- 55 | O-RING 11-P | 24311-000110 | | | | | 1 | 1 | 10 |
| 40- 56 | SPRING, shift fork | 194200-27330 | | | | | 1 | 1 | |
| | SPRING, shift fork | 1A1040-26750 | | | | | 1 | 1 | N |
| 40- 57 | BALL 5/16 | 1A1120-27770 | | | | | 1 | 1 | 10 |
| | BALL 5/16 | 24190-100002 | | | | | 1 | 1 | 10 |
| 40- 58 | COTTER PIN 3 x 25 | 22417-300250 | | | | | 1 | 1 | 10 |
| 40- 59 | SPRING WASHER, shift fork | 194200-27630 | | | | | 1 | 1 | |
| 40- 60 | SHIFTER, P.T.O. change | 194200-27860 | | | | | 1 | 1 | |

Fig. 40 TRANSMISSION CONTROL [YM135,YM135D]

| Refer. No. | Description | Part No. | Qty/Unit | | | | Sales Unit | Inter-change ability | Design-change Mark | Remarks |
|------------|---------------------------------------|--------------|----------|--------|-------|--------|------------|----------------------|---|---------|
| | | | YM155 | YM155D | YM135 | YM135D | | | | |
| 40- 61 | GUIDE w/LABEL, P.T.O. change lever | 194200-27890 | | | 1 | 1 | | | | |
| | GUIDE w/LABEL, P.T.O. change lever | 194340-27890 | | | 1 | 1 | N | [1] | | |
| | GUIDE w/LABEL, P.T.O. change lever | 194340-27891 | | | 1 | 1 | S | [4] | | |
| | GUIDE w/LABEL, P.T.O. change lever | 194340-27891 | | | 1 | 1 | Z | | | |
| 40- 62 | .GUIDE, P.T.O. change lever | 194200-27900 | | | 1 | 1 | | | | |
| 40- 63 | .LABEL, P.T.O. speed change | 194340-65673 | | | 1 | 1 | | | | |
| | .LABEL, P.T.O. speed change | 194340-65674 | | | 1 | 1 | N | [1] | | |
| | .LABEL, P.T.O. speed change | 194340-65675 | | | 1 | 1 | S | [4] | | |
| | .LABEL, P.T.O. speed change | 194340-65675 | | | 1 | 1 | Z | | | |
| 40- 64 | O-RING 14-P | 24311-000140 | | | 1 | 1 | 10 | | | |
| 40- 65 | BOLT M6 x 14 | 26116-060142 | | | 2 | 2 | 10 | | | |
| | BOLT M6 x 14 | 26013-060149 | | | 2 | 2 | 10 | N | | |
| 40- 66 | SPRING WASHER 6 | 22217-060000 | | | 2 | 2 | 10 | Z | | |
| 40- 67 | SPRING PIN 3 x 40 | 22351-030040 | | | 1 | 1 | 10 | W | [3] | |
| 40- 68 | SNAP RING E-12 | 22272-000120 | | | 1 | 1 | 10 | W | YM135 from No. 51067 YM135D from No. 51064 | |
| 40- 69 | SNAP RING E-12 | 22272-000120 | | | 1 | 1 | 10 | W | | |

Fig. 41 REAR AXLE (EXCEPT ENGLAND) [YM155,YM155D]



※MARK PARTS: NOT SOLD SEPARATELY.

Fig. 41 REAR AXLE (EXCEPT ENGLAND) [YM155,YM155D]

| Refer. No. | Description | Part No. | Qty/Unit | | | | Sales Unit | Inter-changeability | Design-change Mark | Remarks |
|------------|---|--------------|----------|--------|-------|--------|------------|---------------------|--|---------|
| | | | YM155 | YM155D | YM155 | YM155D | | | | |
| 41- 1 | HOUSING ASS'Y, differential | 794200-31550 | 1 | 1 | | | | | | |
| | HOUSING ASS'Y, differential | 794200-31551 | 1 | 1 | | | | N | In common with 22-36. | |
| 41- 2 | .HOUSING, differential 14id | * | 1 | 1 | | | | | \$ In common with 22-36. Not Sold Separately. | |
| | .HOUSING, differential 15id | * | 1 | 1 | | | | S | \$ Not Sold Separately. (194200-31751) | |
| 41- 3 | .PINION 10,differential 41.33d | * | 2 | 2 | | | | | Not Sold Separately. | |
| | .PINION 10,differential 45.16d | * | 2 | 2 | | | | S | \$ Not Sold Separately. (194200-31811) | |
| 41- 4 | .SHAFT, differential pinion, 14d x 85L | * | 1 | 1 | | | | | Not Sold Separately. | |
| | .SHAFT, differential pinion, 15d x 87L | * | 1 | 1 | | | | S | \$ Not Sold Separately. (194200-31821) | |
| 41- 5 | .GEAR 14, differential side 51.49d | * | 2 | 2 | | | | | Not Sold Separately. | |
| | .GEAR 14, differential side 56.26d | * | 2 | 2 | | | | S | \$ Not Sold Separately. (194200-31831) | |
| 41- 6 | .SPACER 0.9, differential side gear 42d | 194200-31850 | - | - | | | 10 | | | |
| | .SPACER 0.9, differential side gear 49d | 194200-31851 | - | - | | | 10 | S | \$ | |
| 41- 7 | .SPACER 1.0, differential side gear 42d | 194200-31860 | - | - | | | 10 | | | |
| | .SPACER 1.0, differential side gear 49d | 194200-31861 | - | - | | | 10 | S | \$ | |
| 41- 8 | .SPACER 1.1, differential side gear 42d | 194200-31870 | - | - | | | 10 | | | |
| | .SPACER 1.1, differential side gear 49d | 194200-31871 | - | - | | | 10 | S | \$ | |
| 41- 9 | .SPACER 1.2, differential side gear 42d | 194200-31880 | - | - | | | 10 | | | |
| | .SPACER 1.2, differential side gear 49d | 194200-31881 | - | - | | | 10 | S | \$ | |
| 41- 10 | .THRUST COLLAR, differential 14id | 194200-31900 | 1 | 1 | | | | | | |
| | .THRUST COLLAR, differential 15id | 194200-31901 | 1 | 1 | | | | S | \$ | |
| 41- 11 | .LINER 22.5 x 30 x 1 | 194200-31910 | 2 | 2 | | | | | | |
| 41- 12 | .PIN 4, differential lock | 194200-31940 | 1 | 1 | | | | | | |
| 41- 13 | .LINER,differential pinion 30d | * | 2 | 2 | | | | W | [1] Not Sold Separately. | |
| | .LINER,differential pinion 33d | * | 2 | 2 | | | | S | YM155 from No. 51195 YM155D from No.51482 Not Sold Separately. (194200-31931) | |
| | \$: Change effective units YM155 - from No. 51195 YM155D - from No. 51482 | | | | | | | | | |

Fig. 41 REAR AXLE (EXCEPT ENGLAND) [YM155, YM155D]

| Refer. No. | Description | Part No. | Qty/Unit | | | | Sales Unit | Inter-change ability | Design-change Mark | Remarks |
|------------|---|--------------|----------|--------|-------|--------|------------|----------------------|--------------------|---------|
| | | | YM155 | YM155D | YM135 | YM135D | | | | |
| 41- 14 | BOLT M8 x 28 | 26116-080186 | 8 | 8 | | | 10 | | | |
| | SEAL BOLT M8 x 18 | 194201-32150 | 8 | 8 | | | 10 | N | [5] | |
| 41- 15 | WIRE 0.8 x 180 | 194200-32110 | 1 | 1 | | | 10 | | | |
| | WIRE 0.8 x 180 | 194200-32110 | 1 | 1 | | | 10 | Z | [5] | |
| 41- 16 | BOLT M12 x 60 | 26116-120602 | 2 | 2 | | | 10 | | | |
| 41- 17 | CASE, differential bearing | 194200-32250 | 1 | 1 | | | | | | |
| 41- 18 | SHIM 0.1, differential case | 194200-32300 | - | - | | | 10 | | | |
| 41- 19 | SHIM 0.3, differential case | 194200-32310 | - | - | | | 10 | | | |
| 41- 20 | SHIM 72 x 0.1 | 194200-32330 | - | - | | | 10 | | | |
| 41- 21 | SHIM 72 x 0.3 | 194200-32340 | - | - | | | 10 | | | |
| 41- 22 | STOPPER, bearing case | 194200-32370 | 1 | 1 | | | | | | |
| 41- 23 | BOLT M8 x 25 | 26116-080252 | 4 | 4 | | | 10 | | | |
| 41- 24 | METAL 22 x 27 x 22.5 | 194200-32461 | 2 | 2 | | | | | | |
| 41- 25 | BALL BEARING 6206 | 24101-062064 | 2 | 2 | | | | | | |
| 41- 26 | CIRCLIP 72-H | 22252-000720 | 1 | 1 | | | 10 | | | |
| 41- 27 | PINION (L), final reduction 45.5d x 175.5L | 194200-33411 | 1 | 1 | | | | | | |
| | PINION (L), final reduction | 194201-33410 | 1 | 1 | | | | S | \$ | |
| 41- 28 | PINION (R), final reduction 45.5d x 137.5L | 194200-33421 | 1 | 1 | | | | | | |
| | PINION (R), final reduction | 194201-33420 | 1 | 1 | | | | S | \$ | |
| 41- 29 | LINER 22.5 x 30 x 1 | 194200-31910 | 2 | 2 | | | | | | |
| 41- 30 | BALL BEARING 6207 | 24101-062074 | 2 | 2 | | | | | | |

Remarks:

\$-marked parts: Applicable tractor serial number T/#52068 for YM155
T/#56803 for YM155D

Not interchangeable to the original type. However, interchangeable provided PINION (L) (194201-33410) or PINION (R) (194201-33420), WASHER (Refer. No. 47-50 P/#194201-36620), PLATE (Refer. No. 47-15 P/#194201-36610) and BOLT (Refer. No. 47-16 P/#26116-100162) are replace together.

Fig. 41 REAR AXLE (EXCEPT ENGLAND) [YM155, YM155D]

| Refer. No. | Description | Part No. | Qty/Unit | | | | Sales Unit | Inter-change ability | Design-change Mark | Remarks |
|------------|-------------------------------------|----------------|----------|--------|-------|--------|------------|----------------------|--------------------|---|
| | | | YM155 | YM155D | YM135 | YM135D | | | | |
| 41- 31 | HOUSING (L) ASS'Y, rear axle | 794200-32500 | 1 | 1 | | | | | | |
| | HOUSING (L) ASS'Y, rear axle | 794200-32500-X | 1 | 1 | | | | N | | |
| 41- 32 | .HOUSING (L), rear axle | * | 1 | 1 | | | | * | | Not Sold Separately. (194200-32611) |
| 41- 33 | .STUD M8 x 17 | 194200-32630 | 8 | 8 | | | | | | |
| | .STUD M8 x 16 | 26216-080162 | 4 | 4 | | | | N | | |
| 41- 34 | .PIPE 6 x 40, beathing | 194200-32510 | 2 | 2 | | | | | | |
| 41- 35 | HOUSING (R) ASS'Y, rear axle | 794200-32600 | 1 | 1 | | | | | | |
| | HOUSING (R) ASS'Y, rear axle | 794200-32600-X | 1 | 1 | | | | N | | |
| 41- 36 | .HOUSING (R), rear axle | * | 1 | 1 | | | | * | | Not Sold Separately. (194200-32621) |
| 41- 37 | .STUD M8 x 17 | 194200-32630 | 8 | 8 | | | | | | |
| | .STUD M8 x 16 | 26216-080162 | 4 | 4 | | | | N | | |
| 41- 38 | .PIPE 6 x 40, beathing | 194200-32510 | 2 | 2 | | | | | | |
| 41- 39 | NUT M12 | 26716-120002 | 4 | 4 | | | 10 | | | |
| 41- 40 | SPRING WASHER 12 | 22217-120000 | 6 | 6 | | | 10 | | | |
| 41- 41 | PACKING, rear axle housing | 194200-32640 | 2 | 2 | | | 5 | | | |
| 41- 42 | PIPE 5 x 430, breathing | 23061-050430 | 2 | 2 | | | | | | |
| | PIPE 5 x 360, breathing | 23065-050360 | 2 | 2 | | | | N | | YM155 -T/#52202 YM155D-T/#57449 |
| 41- 43 | OIL PLUG 10 | 1A1040-48070 | 2 | 2 | | | 10 | | | |
| 41- 44 | O-RING 12-P | 24311-000120 | 2 | 2 | | | 10 | | | |
| 41- 45 | COVER, rear axle housing | 194200-32660 | 1 | 1 | | | | Z | | |
| 41- 46 | PACKING, rear axle housing cover | 194200-32670 | 1 | 1 | | | 10 | Z | | YM155 from No.51095 YM155D from No.51098 |
| 41- 47 | BOLT M8 x 20 | 26116-080202 | 3 | 3 | | | 10 | Z | | |
| 41- 48 | SPRING WASHER 8 | 22217-080000 | 3 | 3 | | | 10 | Z | | |
| 41- 49 | SEAL COLLAR 25 x 35 x 11 | 194200-33451 | 2 | 2 | | | | | | |
| 41- 50 | OIL SEAL TC 35 50 8 | 194200-33460 | 2 | 2 | | | 10 | | | |
| 41- 51 | O-RING 25-P | 24311-000250 | 2 | 2 | | | 10 | | | |
| 41- 52 | SHAFT, rear axle | 194200-34132 | 2 | 2 | | | | | | |

Fig. 41 REAR AXLE (EXCEPT ENGLAND) [YM155, YM155D]

M E M O

| Refer. No. | Description | Part No. | Qty/Unit | | | | Sales Unit | Inter-change ability | Design-change Mark | Remarks |
|------------|---------------------------|--------------|----------|--------|-------|--------|------------|----------------------|---|---------|
| | | | YM155 | YM155D | YM135 | YM135D | | | | |
| 41- 53 | GEAR 52, final reduction | 194200-34140 | 2 | 2 | | | | | | |
| 41- 54 | COLLAR 30.2 x 45 x 10 | 194200-34360 | 2 | 2 | | | | | | |
| 41- 55 | COLLAR 40 x 50 x 39 | 194200-34371 | 2 | 2 | | | | | | |
| 41- 56 | SLEEVE 45 x 50 x 20 | 194200-34382 | 2 | 2 | | | Z | | YM155 from No. 51295 YM155D from No. 52086 | |
| 41- 57 | BALL BEARING 6306 | 24101-063064 | 2 | 2 | | | | | | |
| 41- 58 | BALL BEARING 45 x 80 x 18 | 194200-34200 | 2 | 2 | | | | | | |
| 41- 59 | OIL SEAL TC 50 70 10 | 194200-34411 | 2 | 2 | | 10 | | | | |
| | OIL SEAL TC 45 70 12 | 194200-34412 | 2 | 2 | | | F | | Interchangeable by set with 41-56. YM155 from No. 51295 YM155D from No. 52086 | |
| 41- 60 | WASHER, rear axle shaft | 194200-34390 | 2 | 2 | | | | | | |
| 41- 61 | LOCKING 46 | 194200-34400 | 2 | 2 | | | | | | |
| 41- 62 | BOLT M8 x 16 | 26117-080169 | 4 | 4 | | 10 | | | | |
| | BOLT M8 x 16 | 26116-080162 | 4 | 4 | | 10 | N | | | |
| 41- 63 | GEAR 38, spiral ring | 194200-32100 | 1 | 1 | | | | | In common with 22-48. | |
| 41- 64 | NUT M10 | 26716-100002 | 2 | 2 | | 10 | W | | YM155 from No. 50030 YM155D from No. 50304 | |
| 41- 65 | BOLT M10 x 60 | 26116-100602 | 16 | 16 | | 10 | | | | |
| | BOLT M10 x 60 | 26116-100602 | 14 | 14 | | 10 | K | | YM155 from No. 50030 YM155D from No. 50304 | |
| 41- 66 | SPRING WASHER 10 | 22217-100000 | 16 | 16 | | 10 | | | | |
| 41- 67 | BOLT M10 x 65 | 26116-100652 | 2 | 2 | | 10 | W | | | |

Fig. 42 REAR AXLE (ENGLAND) [YM155, YM155D]

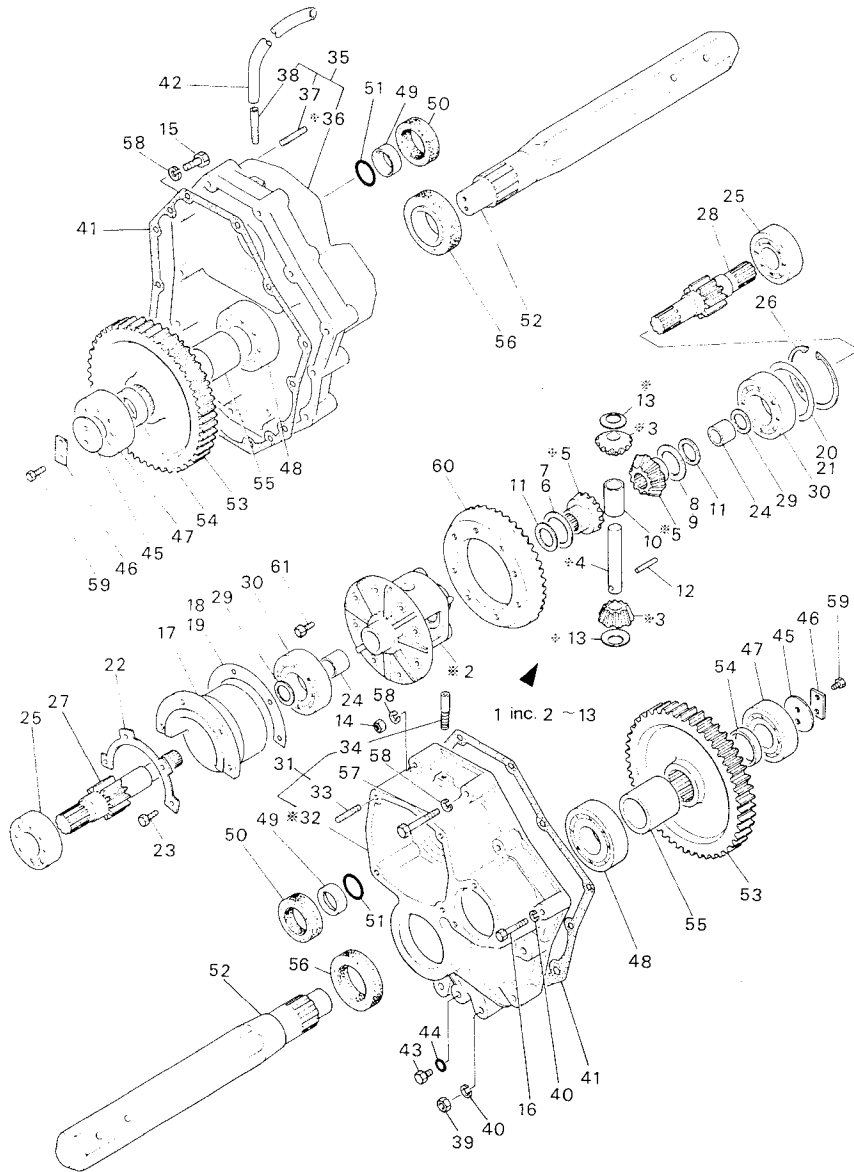


Fig. 42 REAR AXLE (ENGLAND) [YM155, YM155D]

| Refer. No. | Description | Part No. | Qty/Unit | | | | Interchangeability | Design-change Mark | Remarks |
|---|---|--------------|----------|--------|-------|--------|--------------------|--|---------|
| | | | YM155 | YM155D | YM135 | YM135D | | | |
| 42- 1 | .HOUSING ASS'Y, differential | 794200-31551 | 1 | 1 | | | | \$ In common with 22-36. | |
| 42- 2 | .HOUSING, differential 15id | * | 1 | 1 | | | | \$ Not Sold Separately. (194200-31751) | |
| 42- 3 | .PINION 10, differential 45.16d | * | 2 | 2 | | | | \$ Not Sold Separately. (194200-31811) | |
| 42- 4 | .SHAFT, differential pinion, | * | 1 | 1 | | | | \$ Not Sold Separately. (194200-31821) | |
| 42- 5 | .GEAR 14, differential side | * | 2 | 2 | | | | \$ Not Sold Separately. (194200-31831) | |
| 42- 6 | .SPACER 0.9, differential side gear 49d | 194200-31851 | - | - | | 10 | | \$ | |
| 42- 7 | .SPACER 1.0, differential side gear 49d | 194200-31861 | - | - | | 10 | | \$ Selective | |
| 42- 8 | .SPACER 1.1, differential side gear 49d | 194200-31871 | - | - | | 10 | | \$ | |
| 42- 9 | .SPACER 1.2, differential side gear 49d | 194200-31881 | - | - | | 10 | | \$ | |
| 42- 10 | .THRUST COLLAR, differential 15id | 194200-31901 | 1 | 1 | | | | \$ | |
| 42- 11 | .LINER 22.5 x 30 x 1 | 194200-31910 | 2 | 2 | | | | | |
| 42- 12 | .PIN 4, differential lock | 194200-31940 | 1 | 1 | | | | | |
| 42- 13 | .LINER, differential pinion 33d | * | 2 | 2 | | | | Not Sold Separately (194200-31931) | |
| 42- 14 | NUT M10 | 26716-100002 | 2 | 2 | | 10 | | | |
| 42- 15 | BOLT M10 x 65 | 26116-100652 | 2 | 2 | | 10 | | | |
| 42- 16 | BOLT M12 x 60 | 26116-120602 | 2 | 2 | | 10 | | | |
| 42- 17 | CASE, differential bearing | 194200-32250 | 1 | 1 | | | | | |
| 42- 18 | SHIM 0.1, differential case | 194200-32300 | - | - | | 10 | | | |
| 42- 19 | SHIM 0.3, differential case | 194200-32310 | - | - | | 10 | | | |
| 42- 20 | SHIM 72 x 0.1 | 194200-32330 | - | - | | 10 | | In common with 22-51. | |
| 42- 21 | SHIM 72 x 0.3 | 194200-32340 | - | - | | 10 | | In common with 22-52. | |
| \$: Change effective units YM155 - from No. 51195 YM155D - from No. 51482 | | | | | | | | | |

Fig. 42 REAR AXLE (ENGLAND) [YM155, YM155D]

| Refer. No. | Description | Part No. | Q'ty/Unit | | | | Sales Unit | Inter-changeability | Design-change Mark | Remarks |
|------------|------------------------------|----------------|-----------|--------|-------|--------|------------|---------------------|---|---------|
| | | | YM155 | YM155D | YM135 | YM135D | | | | |
| 42- 22 | STOPPER, bearing case | 194200-32370 | 1 | 1 | | | | | | |
| 42- 23 | BOLT M8 x 25 | 26116-080252 | 4 | 4 | | 10 | | | | |
| 42- 24 | METAL 22 x 27 x 22.5 | 194200-32461 | 2 | 2 | | | | | | |
| 42- 25 | BALL BEARING 6206 | 24101-062064 | 2 | 2 | | | | | | |
| 42- 26 | CIRCLIP 72-H | 22252-000720 | 1 | 1 | | 10 | | | | |
| 42- 27 | PINION (L), final reduction | 194201-33410 | 1 | 1 | | | | \$ | | |
| 42- 28 | PINION (R), final reduction | 194201-33420 | 1 | 1 | | | | \$ | | |
| 42- 29 | LINER 22.5 x 30 x 1 | 194200-31910 | 2 | 2 | | | | | | |
| 42- 30 | BALL BEARING 6207 | 24101-062074 | 2 | 2 | | | | | | |
| 42- 31 | HOUSING (L) ASS'Y, rear axle | 794200-32500-X | 1 | 1 | | | | | | |
| 42- 32 | .HOUSING (L), rear axle | * | 1 | 1 | | * | | | Not Sold Separately. (194200-32611) | |
| 42- 33 | .STUD M8 x 16 | 26216-080162 | 4 | 4 | | | | | | |
| 42- 34 | .PIPE 6 x 40, breathing | 194200-32510 | 2 | 2 | | | | | | |
| 42- 35 | HOUSING (R) ASS'Y, rear axle | 194340-32650 | 1 | 1 | | | | | | |
| 42- 36 | .HOUSING (R), rear axle | * | 1 | 1 | | * | | | Not Sold Separately. (194200-32621) | |
| 42- 37 | .STUD M8 x 16 | 26216-080162 | 4 | 4 | | | | | | |
| 42- 38 | .PIPE 6 x 40, breathing | 194200-32510 | 2 | 2 | | | | | | |
| 42- 39 | NUT M12 | 26716-120002 | 4 | 4 | | 10 | | | | |
| 42- 40 | SPRING WASHER 12 | 22217-120000 | 6 | 6 | | 10 | | | | |
| 42- 41 | PACKING, rear axle housing | 194200-32640 | 2 | 2 | | 5 | | | | |
| 42- 42 | PIPE 5 x 360, breathing | 23065-050360 | 2 | 2 | | | N | | YM155 from No. 52202 YM155D from No. 57449 | |
| 42- 43 | OIL PLUG 10 | 1A1040-48070 | 2 | 2 | | 10 | | | | |
| 42- 44 | O-RING 12-P | 24311-000120 | 2 | 2 | | 10 | | | | |
| 42- 45 | WASHER, rear axle shaft | 194200-34390 | 2 | 2 | | | | | | |
| 42- 46 | LOCKING 46 | 194200-34400 | 2 | 2 | | | | | | |

Remarks:
\$-marked parts: Applicable tractor serial number T/#52068 for YM155
T/#56803 for YM155D
Not interchangeable to the original type. However, interchangeable provided PINION (L) (194201-33410) or PINION (R) (194201-33420), WASHER (Refer. No. 47-50 P/#194201-36620), PLATE (Refer. No. 47-15 P/#194201-36610) and BOLT (Refer. No. 47-16 P/#26116-100162) are replace together.

Fig. 42 REAR AXLE (ENGLAND) [YM155, YM155D]

| Refer. No. | Description | Part No. | Q'ty/Unit | | | | Sales Unit | Inter-changeability | Design-change Mark | Remarks |
|------------|---------------------------|--------------|-----------|--------|-------|--------|------------|---------------------|--|---------|
| | | | YM155 | YM155D | YM135 | YM135D | | | | |
| 42- 47 | BALL BEARING 6306 | 24101-063064 | 2 | 2 | | | | | | |
| 42- 48 | BALL BEARING 45 x 80 x 18 | 194200-34200 | 2 | 2 | | | | | | |
| 42- 49 | SEAL COLLAR 25 x 35 x 11 | 194200-33451 | 2 | 2 | | | | | | |
| 42- 50 | OIL SEAL TC 35 50 8 | 194200-33460 | 2 | 2 | | 10 | | | | |
| 42- 51 | O-RING 25-P | 24311-000250 | 2 | 2 | | 10 | | | | |
| 42- 52 | SHAFT, rear axle | 194200-34132 | 2 | 2 | | | | | | |
| 42- 53 | GEAR 52, final reduction | 194200-34140 | 2 | 2 | | | | | | |
| 42- 54 | COLLAR 30.2 x 45 x 10 | 194200-34360 | 2 | 2 | | | | | | |
| 42- 55 | COLLAR 40 x 50 x 39 | 194200-34371 | 2 | 2 | | | | | | |
| 42- 56 | OIL SEAL TC 45 70 12 | 194200-34412 | 2 | 2 | | | F | | Interchangeable by set with 42-56. YM155 from No. 51295 YM155D from No. 52086 | |
| 42- 57 | BOLT M10 x 60 | 26116-100602 | 16 | 16 | | 10 | | | | |
| | BOLT M10 x 60 | 26116-100602 | 14 | 14 | | 10 | K | | YM155 from No. 50030 YM155D from No. 50304 | |
| 42- 58 | SPRING WASHER 10 | 22217-100000 | 16 | 16 | | 10 | | | | |
| 42- 59 | BOLT M8 x 16 | 26117-080159 | 4 | 4 | | 10 | | | | |
| 42- 60 | GEAR 38, spiral ring | 194200-32100 | 1 | 1 | | | | | | |
| 42- 61 | SEAL BOLT M8 x 18 | 194201-32150 | 8 | 8 | | 10 | | | | |

Fig. 43 REAR AXLE [YM135,YM135D]

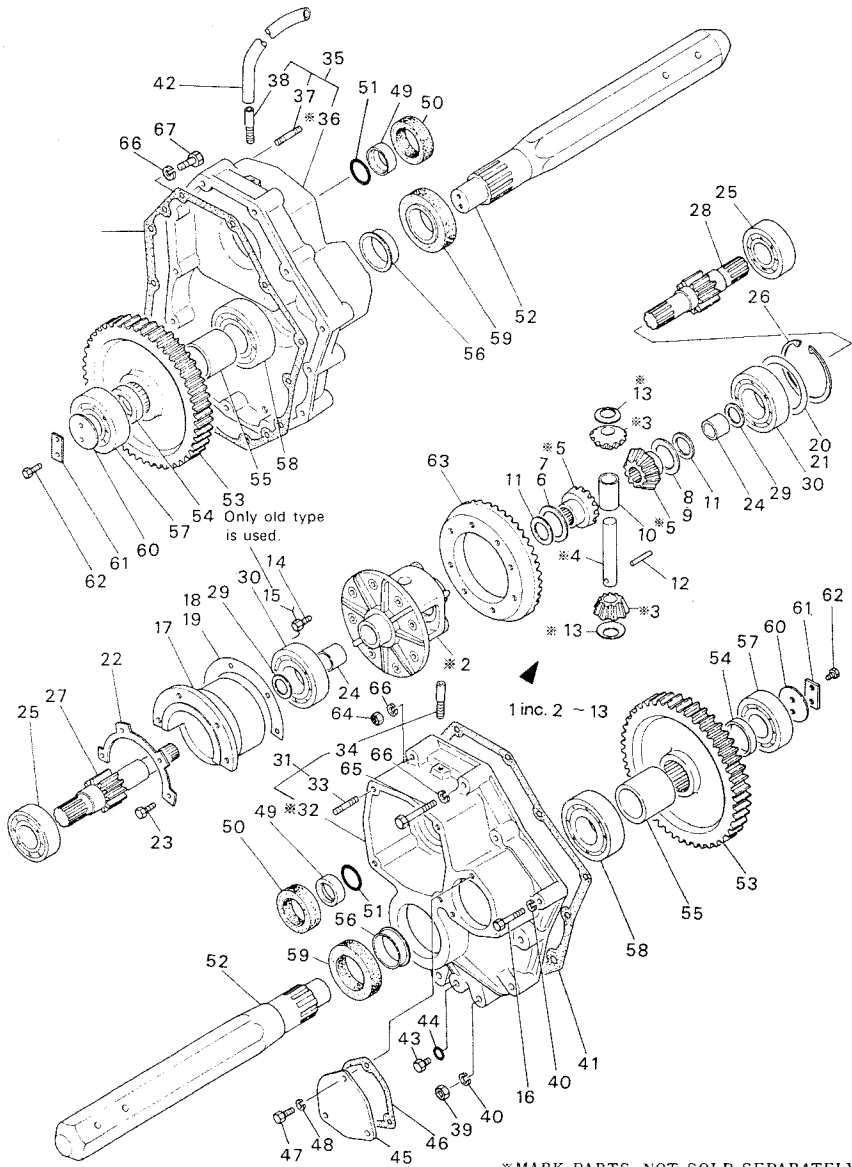


Fig. 43 REAR AXLE [YM135,YM135D]

| Refer. No. | Description | Part No. | Qty/Unit | | | | Interchangeability | Design change Mark | Remarks |
|------------|--|--------------|----------|--------|-------|--------|--------------------|--------------------|--|
| | | | YM155 | YM155D | YM135 | YM135D | | | |
| 43- 1 | HOUSING ASS'Y, differential | 794200-31550 | | | 1 | 1 | | | In common with 22-36. |
| | HOUSING ASS'Y, differential | 794200-31551 | | | 1 | 1 | N | | \$ In common with 22-36. |
| 43- 2 | .HOUSING, differential 14id | * | | | 1 | 1 | | | Not Sold Separately. |
| | .HOUSING, differential 15id | * | | | 1 | 1 | S | | \$ Not Sold Separately. (194200-31751) |
| 43- 3 | .PINION 10,differential 41.33d | * | | | 2 | 2 | | | Not Sold Separately. |
| | .PINION 10,differential 45.16d | * | | | 2 | 2 | S | | \$ Not Sold Separately. (194200-31811) |
| 43- 4 | .SHAFT, differential pinion, 14d x 85L | * | | | 1 | 1 | | | Not Sold Separately. |
| | .SHAFT, differential pinion, 15d x 87L | * | | | 1 | 1 | S | | \$ Not Sold Separately. (194200-31821) |
| 43- 5 | .GEAR 14, differential side 51.49d | * | | | 2 | 2 | | | Not Sold Separately. |
| | .GEAR 14, differential side 56.26d | * | | | 2 | 2 | S | | \$ Not Sold Separately. (194200-31831) |
| 43- 6 | .SPACER 0.9, differential side gear 42d | 194200-31850 | | | - | - | 10 | | |
| | .SPACER 0.9, differential side gear 49d | 194200-31851 | | | - | - | 10 | S | \$ |
| 43- 7 | .SPACER 1.0, differential side gear 42d | 194200-31860 | | | - | - | 10 | | |
| | .SPACER 1.0, differential side gear 49d | 194200-31861 | | | - | - | 10 | S | \$ |
| 43- 8 | .SPACER 1.1, differential side gear 42d | 194200-31870 | | | - | - | 10 | | Selective |
| | .SPACER 1.1, differential side gear 49d | 194200-31871 | | | - | - | 10 | S | \$ |
| 43- 9 | .SPACER 1.2, differential side gear 42d | 194200-31880 | | | - | - | 10 | | |
| | .SPACER 1.2, differential side gear 49d | 194200-31881 | | | - | - | 10 | S | \$ |
| | \$: Change effective units YM135 - from No. 51092 | | | | | | | | |
| | YM135D - from No. 51101 | | | | | | | | |

Fig. 43 REAR AXLE [YM135,YM135D]

| Refer. No. | Description | Part No. | Qty/Unit | | | Sales Unit | Interchangeability | Design-change Mark | Remarks |
|------------|--|--------------|-------------------------|--------|-------|------------|--------------------|---|---------|
| | | | YM155 | YM155D | YM135 | | | | |
| 43- 10 | .THRUST COLLAR, differential 14id | 194200-31900 | | | 1 | 1 | | | |
| | .THRUST COLLAR, differential 15id | 194200-31901 | | | 1 | 1 | S | \$ | |
| 43- 11 | .LINER 22.5 x 30 x 1 | 194200-31910 | | | 2 | 2 | | | |
| 43- 12 | .PIN 4, differential lock | 194200-31940 | | | 1 | 1 | | | |
| 43- 13 | .LINER,differential pinion 30d | * | | | 2 | 2 | W | [1] Not Sold Separately. | |
| | .LINER,differential pinion 33d | * | | | 2 | 2 | S | YM135 from No. 51092 YM135D from No. 51101 Not Sold Separately. (194200-31931) | |
| | \$: Change effective units YM135 - from No. 51092 | | YM135D - from No. 51101 | | | | | | |
| 43- 14 | BOLT M8 x 28 | 26116-080186 | | | 8 | 8 | 10 | | |
| | SEAL BOLT M8 x 18 | 194201-32150 | | | 8 | 8 | 10 | N [5] | |
| 43- 15 | WIRE 0.8 x 180 | 194200-32110 | | | 1 | 1 | 10 | | |
| | WIRE 0.8 x 180 | 194200-32110 | | | 1 | 1 | 10 | Z [5] | |
| 43- 16 | BOLT M12 x 60 | 26116-120602 | | | 2 | 2 | 10 | | |
| 43- 17 | CASE, differential bearing | 194200-32250 | | | 1 | 1 | | | |
| 43- 18 | SHIM 0.1, differential case | 194200-32300 | | | - | - | 10 | Selective | |
| 43- 19 | SHIM 0.3, differential case | 194200-32310 | | | - | - | 10 | | |
| 43- 20 | SHIM 72 x 0.1 | 194200-32330 | | | - | - | 10 | | |
| 43- 21 | SHIM 72 x 0.3 | 194200-32340 | | | - | - | 10 | | |
| 43- 22 | STOPPER, bearing case | 194200-32370 | | | 1 | 1 | | | |
| 43- 23 | BOLT M8 x 25 | 26116-080252 | | | 4 | 4 | 10 | | |
| 43- 24 | METAL 22 x 27 x 22.5 | 194200-32461 | | | 2 | 2 | | | |
| 43- 25 | BALL BEARING 6206 | 24101-062064 | | | 2 | 2 | | | |
| 43- 26 | CIRCLIP 72-H | 22252-000720 | | | 1 | 1 | 10 | | |
| | Not interchangeable to the original type. However, interchangeable provided PINION (L) (194200-33411) or PINION (R) (194262-33420), WASHER (Refer. No. 49-50 P/194200-14171), PLATE (Refer. No. 49-15 P/194200-14160) and BOLT (Refer. No. 49-16 P/26116-080162) are replace together. | | | | | | | | |

Fig. 43 REAR AXLE [YM135,YM135D]

| Refer. No. | Description | Part No. | Qty/Unit | | | | Sales Unit | Interchangeability | Design-change Mark | Remarks |
|------------|--|----------------|----------|--------|-------|--------|------------|--------------------|---|---------|
| | | | YM155 | YM155D | YM135 | YM135D | | | | |
| 43- 27 | PINION (L), final reduction 49d x 175.5L | 194200-33411 | | | 1 | 1 | | | | |
| 43- 28 | PINION (R), final reduction 49d x 137.5L | 194262-33420 | | | 1 | 1 | | | | |
| 43- 29 | LINER 22.5 x 30 x 1 | 194200-31910 | | | 2 | 2 | | | | |
| 43- 30 | BALL BEARING 6207 | 24101-062074 | | | 2 | 2 | | | | |
| 43- 31 | HOUSING (L) ASS'Y, rear axle | 794200-32500 | | | 1 | 1 | | | | |
| | HOUSING (L) ASS'Y, rear axle | 794200-32500-X | | | 1 | 1 | | N | | |
| 43- 32 | .HOUSING (L), rear axle | * | | | 1 | 1 | * | | Not Sold Separately. (194200-32611) | |
| 43- 33 | .STUD M8 x 17 | 194200-32630 | | | 8 | 8 | | | | |
| | .STUD M8 x 16 | 26216-080162 | | | 4 | 4 | | N | | |
| 43- 34 | .PIPE 6 x 40, breathing | 194200-32510 | | | 2 | 2 | | | | |
| 43- 35 | HOUSING (R) ASS'Y, rear axle | 794200-32600 | | | 1 | 1 | | | | |
| | HOUSING (R) ASS'Y, rear axle | 794200-32600-X | | | 1 | 1 | | N | | |
| 43- 36 | .HOUSING (R), rear axle | * | | | 1 | 1 | * | | Not Sold Separately. (194200-32621) | |
| 43- 37 | .STUD M8 x 17 | 194200-32630 | | | 8 | 8 | | | | |
| | .STUD M8 x 16 | 26216-080162 | | | 4 | 4 | | N | | |
| 43- 38 | .PIPE 6 x 40, breathing | 194200-32510 | | | 2 | 2 | | | | |
| 43- 39 | NUT M12 | 26716-120002 | | | 4 | 4 | 10 | | | |
| 43- 40 | SPRING WASHER 12 | 22217-120000 | | | 6 | 6 | 10 | | | |
| 43- 41 | PACKING, rear axle housing | 194200-32640 | | | 2 | 2 | 5 | | | |
| 43- 42 | PIPE 5 x 430, breathing | 23061-050430 | | | 2 | 2 | | | | |
| 43- 43 | OIL PLUG 10 | 1A1040-48070 | | | 2 | 2 | 10 | | | |
| 43- 44 | O-RING 12-P | 24311-000120 | | | 2 | 2 | 10 | | | |
| 43- 45 | COVER, rear axle housing | 194200-32660 | | | 1 | 1 | | Z | In common with 43-2. | |
| 43- 46 | PACKING, rear axle housing cover | 194200-32670 | | | 1 | 1 | 10 | Z | YM135 from No. 51015 YM135D from No. 51107 | |
| 43- 47 | BOLT M8 x 20 | 26116-080202 | | | 3 | 3 | 10 | Z | | |
| 43- 48 | SPRING WASHER 8 | 22217-080000 | | | 3 | 3 | 10 | Z | | |

Fig. 43 REAR AXLE [YM135, YM135D]

M E M O

| Refer. No. | Description | Part No. | Qty/Unit | | | Sales Unit | Interchangeability | Design-change Mark | Remarks |
|------------|---------------------------|--------------|----------|--------|-------|------------|--------------------|---|---------|
| | | | YM155 | YM155D | YM135 | | | | |
| 43- 49 | SEAL COLLAR 25 x 35 x 11 | 194200-33451 | | | 2 | 2 | | | |
| 43- 50 | OIL SEAL TC 35 50 8 | 194200-33460 | | | 2 | 2 | 10 | | |
| 43- 51 | O-RING 25-P | 24311-000250 | | | 2 | 2 | 10 | | |
| 43- 52 | SHAFT, rear axle | 194262-34130 | | | 2 | 2 | | | |
| 43- 53 | GEAR 51, final reduction | 194262-34140 | | | 2 | 2 | | | |
| 43- 54 | COLLAR 30.2 x 45 x 10 | 194200-34360 | | | 2 | 2 | | | |
| 43- 55 | COLLAR 40 x 50 x 39 | 194200-34371 | | | 2 | 2 | | | |
| 43- 56 | SLEEVE 45 x 50 x 20 | 194200-34382 | | | 2 | 2 | Z | YM135 from No. 51158 YM135D from No. 51189 | |
| 43- 57 | BALL BEARING 6306 | 24101-063064 | | | 2 | 2 | | | |
| 43- 58 | BALL BEARING 45 x 80 x 18 | 194200-34200 | | | 2 | 2 | | | |
| 43- 59 | OIL SEAL TC 50 70 10 | 194200-34411 | | | 2 | 2 | 10 | | |
| | OIL SEAL TC 45 70 12 | 194200-34412 | | | 2 | 2 | F | Interchangeable by set with 43-56. YM135 from No. 51158 YM135D from No. 51189 | |
| 43- 60 | WASHER, rear axle shaft | 194200-34390 | | | 2 | 2 | | | |
| 43- 61 | LOCKING 46 | 194200-34400 | | | 2 | 2 | | | |
| 43- 62 | BOLT M8 x 16 | 26117-080169 | | | 4 | 4 | 10 | | |
| | BOLT M8 x 16 | 26116-080169 | | | 4 | 4 | 10 | N | |
| 43- 63 | GEAR 38, spiral ring | 194200-32100 | | | 1 | 1 | | | |
| 43- 64 | NUT M10 | 26716-100002 | | | 2 | 2 | 10 | W | |
| 43- 65 | BOLT M10 x 60 | 26116-100602 | | | 16 | 16 | 10 | | |
| | BOLT M10 x 60 | 26116-100602 | | | 14 | 14 | 10 | K | |
| 43- 66 | SPRING WASHER 10 | 22217-100000 | | | 16 | 16 | 10 | | |
| 43- 67 | BOLT M10 x 65 | 26116-100652 | | | 2 | 2 | 10 | W | |

Fig. 44 DIFFERENTIAL LOCK (EXCEPT ENGLAND) [YM155, YM155D]

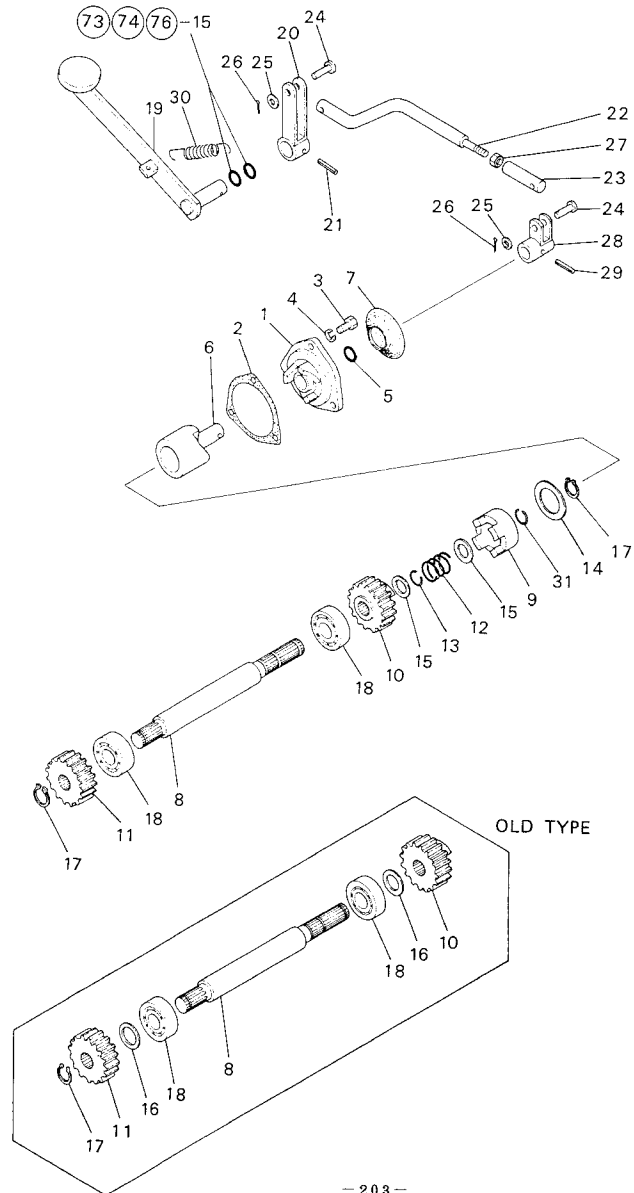


Fig. 44 DIFFERENTIAL LOCK (EXCEPT ENGLAND) [YM155, YM155D]

| Refer. No. | Description | Part No. | Q'ty/Unit | | | Sales Unit | Interchangeability | Design-Mark | Remarks |
|------------|-----------------------------------|----------------|-----------|--------|-------|------------|--------------------|--|---------|
| | | | YM155 | YM155D | YM135 | | | | |
| 44- 1 | COVER, differential lock cam | 194200-35100 | 1 | 1 | | | | | |
| 44- 2 | PACKING, rear axle housing cover | 194200-32670 | 1 | 1 | | 10 | | | |
| 44- 3 | BOLT M8 x 25 | 26116-080252 | 3 | 3 | | 10 | | | |
| | BOLT M8 x 25 | 26013-080252 | 3 | 3 | | 10 | N | | |
| 44- 4 | SPRING WASHER | 22217-080000 | 3 | 3 | | 10 | Z | | |
| 44- 5 | O-RING 16-P | 24311-000160 | 1 | 1 | | 10 | | | |
| 44- 6 | CAM, differential lock | 194200-35130-X | 1 | 1 | | | | | |
| 44- 7 | BOOT, cam cover | 194200-35180 | 1 | 1 | | | | | |
| 44- 8 | SHAFT, differential lock | 194200-35250 | 1 | 1 | | | | | |
| 44- 9 | CLUTCH, differential lock | 194200-35271 | 1 | 1 | | | | | |
| 44- 10 | GEAR 14, differential lock clutch | 194200-35280 | 1 | 1 | | | | | |
| | GEAR 14, differential lock clutch | 194200-35281 | 1 | 1 | | | F | [4] Interchangeable by set with 44-16. | |
| 44- 11 | GEAR 14, differential lock shaft | 194200-35290 | 1 | 1 | | | | | |
| | GEAR 14, differential lock shaft | 194200-35291 | 1 | 1 | | | F | [4] Interchangeable by set with 44-16. | |
| 44- 12 | SPRING, differential lock | 194200-35310 | 1 | 1 | | | | | |
| 44- 13 | RING, differential lock shaft | 194200-35320 | 1 | 1 | | | | | |
| 44- 14 | LINER 30.5 x 46 x 1.5 | 194200-35340 | 1 | 1 | | | | | |
| 44- 15 | LINER 20.5 x 29 x 1.5 | 194200-35350 | 2 | 2 | | | | | |
| 44- 16 | LINER 20 x 35 x 1 | 1A1040-23220 | 2 | 2 | | | Z | [4] | |
| 44- 17 | CIRCLIP 20-S | 22242-000200 | 2 | 2 | | 10 | | | |
| 44- 18 | BALL BEARING 6204 | 24101-062044 | 2 | 2 | | | | | |
| 44- 19 | PEDAL, differential lock | 194200-35400-X | 1 | 1 | | | | | |
| 44- 20 | ARM (A), differential lock | 194200-35470 | 1 | 1 | | | | | |
| 44- 21 | SPRING PIN 6 x 32 | 22351-060032 | 1 | 1 | | 10 | | | |

Fig. 44 DIFFERENTIAL LOCK (EXCEPT ENGLAND) [YM155, YM155D]

| Refer. No. | Description | Part No. | Q ₆ /Unit | | | | Sales Unit | Inter-change ability | Design-change Mark | Remarks |
|------------|--------------------------------|--------------|----------------------|--------|-------|--------|------------|----------------------|--------------------|---------|
| | | | YM155 | YM155D | YM155 | YM155D | | | | |
| 44- 22 | ROD, differential lock | 194200-35500 | 1 | 1 | | | | | | |
| 44- 23 | JOINT, differential lock rod | 194200-35510 | 1 | 1 | | | | | | |
| 44- 24 | PIN 8 x 28 | 194200-35610 | 2 | 2 | | | | | | |
| 44- 25 | WASHER 8, plain | 22117-080000 | 2 | 2 | | 10 | | | | |
| 44- 26 | COTTER PIN 2 x 20 | 22417-200200 | 2 | 2 | | 10 | | | | |
| | COTTER PIN 2 x 15 | 22417-200150 | 2 | 2 | | 10 | N | | | |
| 44- 27 | NUT M10 | 26716-100002 | 1 | 1 | | 10 | | | | |
| 44- 28 | ARM (B), differential lock | 194200-35550 | 1 | 1 | | | | | | |
| 44- 29 | SPRING PIN 6 x 28 | 22351-060028 | 1 | 1 | | 10 | | | | |
| 44- 30 | SPRING, differential | 194200-35600 | 1 | 1 | | | | | | |
| | lock pedal return | | | | | | | | | |
| 44- 31 | RING, differential lock clutch | 194200-35330 | 1 | 1 | | | | | | |

Fig. 45 DIFFERENTIAL LOCK (ENGLAND) [YM155,YM155D]

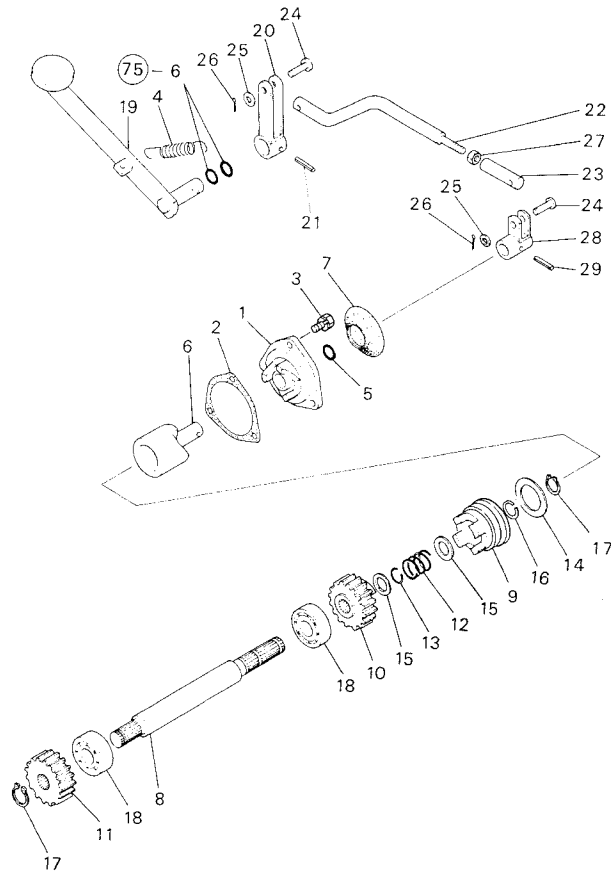


Fig. 45 DIFFERENTIAL LOCK (ENGLAND) [YM155,YM155D]

| Refer. No. | Description | Part No. | Qty/Unit | | | | Inter-changeability | Design-change Mark | Remarks |
|------------|--|----------------|----------|--------|-------|--------|---------------------|--|---------|
| | | | YM155 | YM155D | YM155 | YM155D | | | |
| 45- 1 | COVER, differential lock cam | 194200-35100 | 1 | 1 | | | | | |
| 45- 2 | PACKING, rear axle housing cover | 194200-32670 | 1 | 1 | | 10 | | | |
| 45- 3 | BOLT M8 x 25 | 26013-080252 | 3 | 3 | | 10 | | | |
| 45- 4 | SPRING, differential lock pedal return | 194200-35600 | 1 | 1 | | | | | |
| 45- 5 | O-RING 16-P | 24311-000160 | 1 | 1 | | 10 | | | |
| 45- 6 | CAM, differential lock | 194200-35130-X | 1 | 1 | | | | | |
| 45- 7 | BOOT, cam cover | 194200-35180 | 1 | 1 | | | | | |
| 45- 8 | SHAFT, differential lock | 194200-35250 | 1 | 1 | | | | | |
| 45- 9 | CLUTCH, differential lock | 194340-33110 | 1 | 1 | | | | | |
| 45- 10 | GEAR 14, differential lock clutch | 194200-35281 | 1 | 1 | | | F | [4] Interchangeable by set with 45-16. | |
| 45- 11 | GEAR 14, differential lock shaft | 194200-35291 | 1 | 1 | | | F | [4] Interchangeable by set with 45-16. | |
| 45- 12 | SPRING, differential lock | 194200-35310 | 1 | 1 | | | | | |
| 45- 13 | RING, differential lock shaft | 194200-35320 | 1 | 1 | | | | | |
| 45- 14 | LINER 30.5 x 46 x 1.5 | 194200-35340 | 1 | 1 | | | | | |
| 45- 15 | LINER 20.5 x 29 x 1.5 | 194200-35350 | 2 | 2 | | | | | |
| 45- 16 | RING, differential lock clutch | 194200-35330 | 1 | 1 | | | | | |
| 45- 17 | CIRCLIP 20-S | 22242-000200 | 2 | 2 | | 10 | | | |
| 45- 18 | BALL BEARING 6204 | 24101-062044 | 2 | 2 | | | | | |
| 45- 19 | PEDAL, differential lock | 194200-35400-X | 1 | 1 | | | | | |
| 45- 20 | ARM (A), differential lock | 194200-35470 | 1 | 1 | | | | | |
| 45- 21 | SPRING PIN 6 x 32 | 22351-060032 | 1 | 1 | | 10 | | | |
| 45- 22 | ROD, differential lock | 194200-35500 | 1 | 1 | | | | | |
| 45- 23 | JOINT, differential lock rod | 194200-35510 | 1 | 1 | | | | | |
| 45- 24 | PIN 8 x 28 | 194200-35610 | 2 | 2 | | | | | |
| 45- 25 | WASHER 8, plain | 22117-080000 | 2 | 2 | | 10 | | | |
| 45- 26 | COTTER PIN 2 x 15 | 22417-200150 | 2 | 2 | | 10 | | | |
| 45- 27 | NUT M10 | 26716-100002 | 1 | 1 | | 10 | | | |
| 45- 28 | ARM (B), differential lock | 194200-35550 | 1 | 1 | | | | | |
| 45- 29 | SPRING PIN 6 x 28 | 22351-060028 | 1 | 1 | | 10 | | | |

Fig. 46 DIFFERENTIAL LOCK [YM135,YM135D]

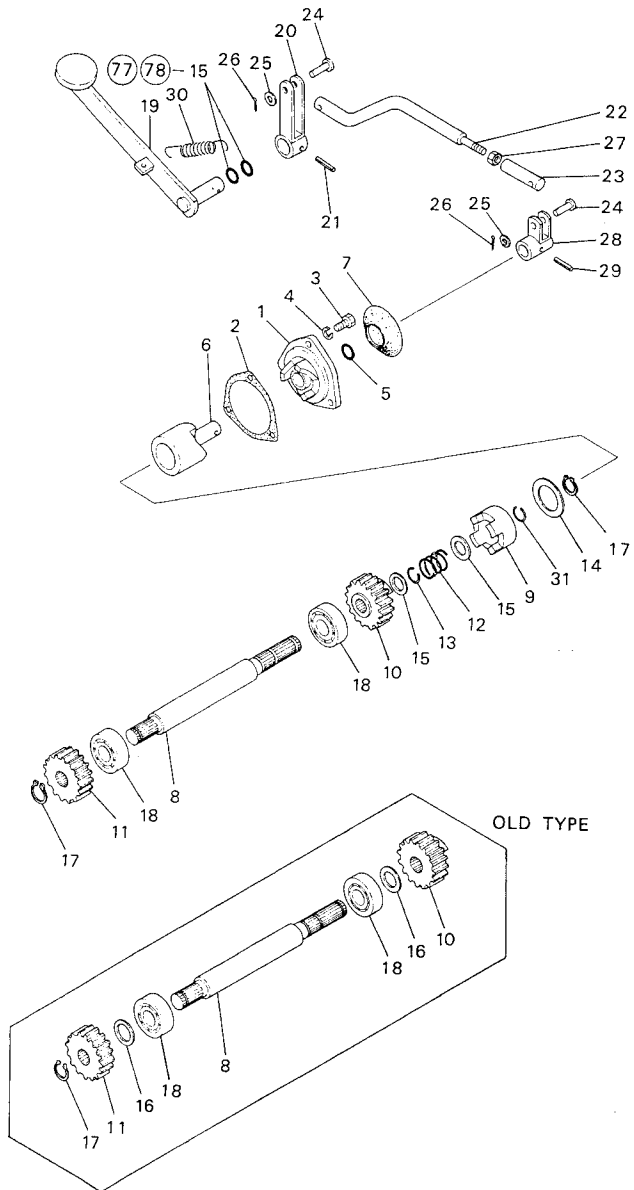


Fig. 46 DIFFERENTIAL LOCK [YM135,YM135D]

| Refer. No. | Description | Part No. | Qty/Unit | | | | Sales Unit | Inter-changeability | Design-change Mark | Remarks |
|------------|-----------------------------------|----------------|----------|--------|-------|--------|------------|---------------------|--------------------|------------------------------------|
| | | | YM155 | YM155D | YM135 | YM135D | | | | |
| 46- 1 | COVER, differential lock cam | 194200-35100 | | | 1 | 1 | | | | |
| 46- 2 | PACKING, rear axle housing cover | 194200-32670 | | | 1 | 1 | 10 | | | |
| 46- 3 | BOLT M8 x 25 | 26116-080252 | | | 3 | 3 | 10 | | | |
| 46- 4 | SPRING WASHER 8 | 22217-080000 | | | 3 | 3 | 10 | | | |
| 46- 5 | O-RING 16-P | 24311-000160 | | | 1 | 1 | 10 | | | |
| 46- 6 | CAM, differential lock | 194200-35130-X | | | 1 | 1 | | | | |
| 46- 7 | BOOT, cam cover | 194200-35180 | | | 1 | 1 | | | | |
| 46- 8 | SHAFT, differential lock | 194200-35250 | | | 1 | 1 | | | | |
| 46- 9 | CLUTCH, differential lock | 194200-35271 | | | 1 | 1 | | | | |
| 46- 10 | GEAR 15, differential lock clutch | 194262-35280 | | | 1 | 1 | | | | |
| | GEAR 15, differential lock clutch | 194262-35281 | | | 1 | 1 | | F | [4] | Interchangeable by set with 46-16. |
| 46- 11 | GEAR 15, differential lock shaft | 194262-35290 | | | 1 | 1 | | | | |
| | GEAR 15, differential lock shaft | 194262-35291 | | | 1 | 1 | | F | [4] | Interchangeable by set with 46-16. |
| 46- 12 | SPRING, differential lock | 194200-35310 | | | 1 | 1 | | | | |
| 46- 13 | RING, differential lock shaft | 194200-35320 | | | 1 | 1 | | | | |
| 46- 14 | LINER 30.5 x 46 x 1.5 | 194200-35340 | | | 1 | 1 | | | | |
| 46- 15 | LINER 20.5 x 29 x 1.5 | 194200-35350 | | | 2 | 2 | | | | |
| 46- 16 | LINER 20 x 35 x 1 | 1A1040-23220 | | | 2 | 2 | | Z | [4] | |
| 46- 17 | CIRCLIP 20-S | 22242-000200 | | | 2 | 2 | 10 | | | |
| 46- 18 | BALL BEARING 6204 | 24101-062044 | | | 2 | 2 | | | | |
| 46- 19 | PEDAL, differential lock | 194200-35400-X | | | 1 | 1 | | | | |
| 46- 20 | ARM (A), differential lock | 194200-35470 | | | 1 | 1 | | | | |
| 46- 21 | SPRING PIN 6 x 32 | 22351-060032 | | | 1 | 1 | 10 | | | |

Fig. 46 DIFFERENTIAL LOCK [YM135,YM135D]

M E M O

| Refer. No. | Description | Part No. | Qty/Unit | | | | Sales Unit | Inter-changeability | Design-change Mark | Remarks |
|------------|--|--------------|----------|--------|-------|--------|------------|---------------------|--------------------|---------|
| | | | YM155 | YM155D | YM135 | YM135D | | | | |
| 46- 22 | ROD, differential lock | 194200-35500 | | | 1 | 1 | | | | |
| 46- 23 | JOINT, differential lock rod | 194200-35510 | | | 1 | 1 | | | | |
| 46- 24 | PIN 8 x 28 | 194200-35610 | | | 2 | 2 | | | | |
| 46- 25 | WASHER 8, plain | 22117-080000 | | | 2 | 2 | 10 | | | |
| 46- 26 | COTTER PIN 2 x 20 | 22417-200200 | | | 2 | 2 | 10 | | | |
| | COTTER PIN 2 x 15 | 22417-200150 | | | 2 | 2 | 10 | N | | |
| 46- 27 | NUT M10 | 26716-100002 | | | 1 | 1 | 10 | | | |
| 46- 28 | ARM (B), differential lock | 194200-35550 | | | 1 | 1 | | | | |
| 46- 29 | SPRING PIN 6 x 28 | 22351-060028 | | | 1 | 1 | 10 | | | |
| 46- 30 | SPRING, differential lock pedal return | 194200-35600 | | | 1 | 1 | | | | |
| 46- 31 | RING, differential lock clutch | 194200-35330 | | | 1 | 1 | | | | |

Fig. 47 BRAKES (EXCEPT PORTUGAL) [YM155, YM155D]

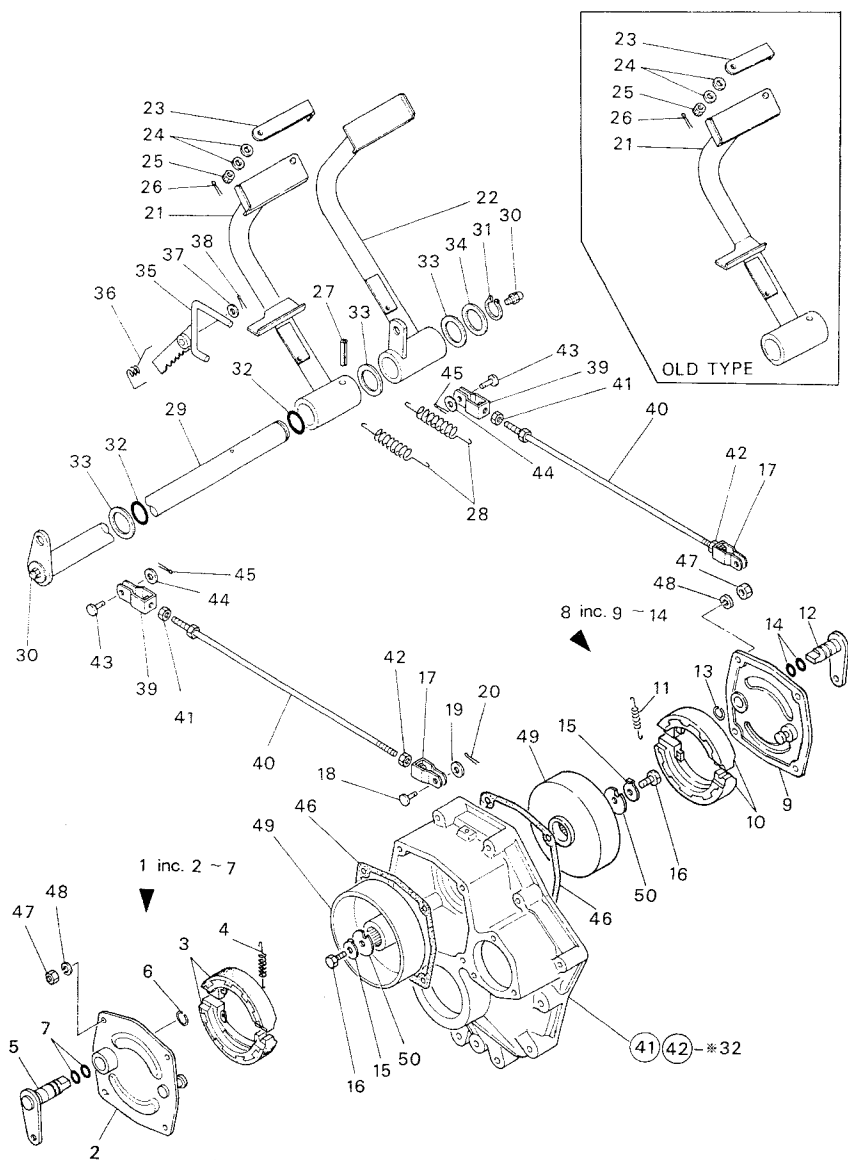


Fig. 47 BRAKES (EXCEPT PORTUGAL) [YM155, YM155D]

| Refer. No. | Description | Part No. | Qty./Unit | | | | Inter-changeability | Design-change Mark | Remarks |
|------------|----------------------------|----------------|-----------|--------|-------|--------|---------------------|--------------------|---------|
| | | | YM155 | YM155D | YM155 | YM155D | | | |
| 47- 1 | BRAKE (L) ASS'Y | 794200-36001-X | 1 | 1 | | | | | |
| 47- 2 | .COVER, brake | 194200-36351-X | 1 | 1 | | | | | |
| 47- 3 | .BRAKE SHOE, complete | 194200-36512 | 2 | 2 | | | | | |
| 47- 4 | .SPRING, brake shoe return | 194200-36551 | 2 | 2 | | | | | |
| 47- 5 | .CAMSHAFT (L), brake | 194200-36701 | 1 | 1 | | | | | |
| 47- 6 | .RING, brake camshaft | 194200-36790 | 1 | 1 | | 10 | | | |
| 47- 7 | .O-RING 16-S | 194200-36780 | 2 | 2 | | 10 | | | |
| 47- 8 | BRAKE (R) ASS'Y | 794200-36011-X | 1 | 1 | | | | | |
| 47- 9 | .COVER, brake | 194200-36351-X | 1 | 1 | | | | | |
| 47- 10 | .BRAKE SHOE, complete | 194200-36512 | 2 | 2 | | | | | |
| 47- 11 | .SPRING, brake shoe return | 194200-36551 | 2 | 2 | | | | | |
| 47- 12 | .CAMSHAFT (R), brake | 194200-36711-X | 1 | 1 | | | | | |
| 47- 13 | .RING, brake camshaft | 194200-36790 | 1 | 1 | | 10 | | | |
| 47- 14 | .O-RING 16-S | 194200-36780 | 2 | 2 | | 10 | | | |
| 47- 15 | PLATE, lock | 194200-14160 | 2 | 2 | | | | | |
| | PLATE, lock | 194201-36610 | 2 | 2 | | | S | \$ | |
| 47- 16 | BOLT M8 x 16 | 26116-080162 | 2 | 2 | | 10 | | \$ | |
| | BOLT M10 x 16 | 26116-100162 | 2 | 2 | | 10 | S | \$ | |
| 47- 17 | JOINT, brake arm | 194200-36740 | 2 | 2 | | | | | |
| 47- 18 | PIN 8 x 17.5 | 194200-37800 | 2 | 2 | | | | | |
| | PIN 8 x 20.5 | 194200-37810 | 2 | 2 | | | S | | |
| 47- 19 | WASHER 8, plain | 22117-080000 | 2 | 2 | | 10 | | | |
| 47- 20 | COTTER PIN 2 x 20 | 22417-200200 | 2 | 2 | | 10 | | | |
| | COTTER PIN 2 x 15 | 22417-200150 | 2 | 2 | | 10 | N | | |

Remarks:
 \$-marked parts: Applicable tractor serial number T/#52068 for YM155
 T/#56803 for YM155D
 Not interchangeable to the original type. However, interchangeable provided PINION (L) (Refer. No. 41-27 P/#194201-33410) or PINION (R) (Refer. No. 41-28 194201-33420), WASHER (194201-36620), PLATE (194201-36610) and BOLT M10 x 16 (26116-100162) are replaced together.

Fig. 47 BRAKES (EXCEPT PORTUGAL) [YM155, YM155D]

| Refer. No. | Description | Part No. | Q'ty/Unit | | | | Sales Unit | Inter-changeability | Design-change Mark | Remarks |
|------------|----------------------------|----------------|-----------|--------|-------|--------|------------|---------------------|---|---------|
| | | | YM155 | YM155D | YM135 | YM135D | | | | |
| 47- 21 | PEDAL (L), brake | 194200-37302-X | 1 | 1 | | | | | | |
| | PEDAL (L), brake | 194200-37303-X | 1 | 1 | | | F | {3} | Interchangeable by set with 47-22. | |
| | PEDAL (L), brake | 194200-37304-X | 1 | 1 | | | F | {5} | Interchangeable by set with 47-22, 47-23. | |
| 47- 22 | PEDAL (R), brake | 194200-37400-X | 1 | 1 | | | | | | |
| | PEDAL (R), brake | 194200-37401-X | 1 | 1 | | | F | {3} | Interchangeable by set with 47-21. | |
| 47- 23 | CONNECTOR, brake | 194200-37350-R | 1 | 1 | | | | | | |
| | CONNECTOR, brake | 194340-37350-R | 1 | 1 | | | F | {5} | Interchangeable by set with 47-21. | |
| 47- 24 | SPRING 8, belleville | 194200-37390 | 2 | 2 | | | | | | |
| 47- 25 | CASTLE NUT M8 | 26817-080002 | 1 | 1 | | 10 | | | | |
| 47- 26 | COTTER PIN 2 x 20 | 22417-200200 | 1 | 1 | | 10 | | | | |
| | COTTER PIN 2 x 18 | 22417-200180 | 1 | 1 | | 10 | N | | | |
| 47- 27 | SPRING PIN 8 x 40 | 22351-080040 | 1 | 1 | | 10 | | | | |
| 47- 28 | SPRING, brake pedal return | 194200-37510 | 2 | 2 | | | | | | |
| 47- 29 | SHAFT, brake pedal | 194200-37550 | 1 | 1 | | | | | | |
| 47- 30 | GREASE NIPPLE A-M6F | 24761-010000 | 2 | 2 | | 10 | | | | |
| | GREASE NIPPLE A-M6F | 24764-010000 | 2 | 2 | | | N | | | |
| 47- 31 | CIRCLIP 25-S | 22242-000250 | 1 | 1 | | 10 | | | | |
| 47- 32 | O-RING 25-P | 24311-000250 | 2 | 2 | | 10 | | | | |
| 47- 33 | LINER 26 x 36 x 2.3 | 194200-37600 | 3 | 3 | | | | | | |
| 47- 34 | LINER 26 x 36 x 1 | 194200-37620 | 1 | 1 | | | | | | |
| 47- 35 | LEVER, brake pedal lock | 194200-37652-X | 1 | 1 | | | | | | |
| 47- 36 | SPRING, lock lever return | 194200-37690 | 1 | 1 | | | | | | |
| | SPRING, lock lever return | 194200-37691 | 1 | 1 | | | S | | YM155 from No. 51506 YM155D from No. 53372 | |
| | SPRING, lock lever return | 194200-37692 | 1 | 1 | | | S | | YM155 from No. 51506 YM155D from No. 54922 | |

Fig. 47 BRAKES (EXCEPT PORTUGAL) [YM155, YM155D]

| Refer. No. | Description | Part No. | Q'ty/Unit | | | | Sales Unit | Inter-changeability | Design-change Mark | Remarks |
|------------|------------------------|--------------|-----------|--------|-------|--------|------------|---------------------|--------------------|---------|
| | | | YM155 | YM155D | YM135 | YM135D | | | | |
| 47- 37 | WASHER 12, plain | 22117-120000 | 1 | 1 | | | | | 10 | |
| 47- 38 | COTTER PIN 2 x 20 | 22417-200200 | 1 | 1 | | | | | 10 | |
| 47- 39 | JOINT, brake rod front | 194200-37740 | 2 | 2 | | | | | | |
| 47- 40 | ROD, brake | 194200-37770 | 2 | 2 | | | | | | |
| 47- 41 | LS-NUT M8 | 194200-37780 | 2 | 2 | | | | | 10 | |
| 47- 42 | NUT M8 | 26716-080002 | 2 | 2 | | | | | 10 | |
| 47- 43 | PIN 8 x 17.5 | 194200-37800 | 2 | 2 | | | | | 10 | |
| | PIN 8 x 20.5 | 194200-37810 | 2 | 2 | | | | | N | |
| 47- 44 | WASHER 8, plain | 22117-080000 | 2 | 2 | | | | | 10 | |
| 47- 45 | COTTER PIN 2 x 20 | 22417-200200 | 2 | 2 | | | | | 10 | |
| | COTTER PIN 2 x 15 | 22417-200150 | 2 | 2 | | | | | N | |
| 47- 46 | PACKING, brake cover | 194200-36420 | 2 | 2 | | | | | 5 | |
| 47- 47 | NUT M8 | 26716-080002 | 8 | 8 | | | | | 10 | |
| 47- 48 | SPRING WASHER 8 | 22217-080000 | 8 | 8 | | | | | 10 | |
| 47- 49 | DRUM, brake | 194200-36571 | 2 | 2 | | | | | | |
| 47- 50 | WASHER, lock plate | 194200-14171 | 2 | 2 | | | | | | |
| | WASHER, lock plate | 194201-36620 | 2 | 2 | | | | | S | |
| | | | | | | | | | \$ | |

Fig. 48 BRAKES (PORTUGAL) [YM155,YM155D]

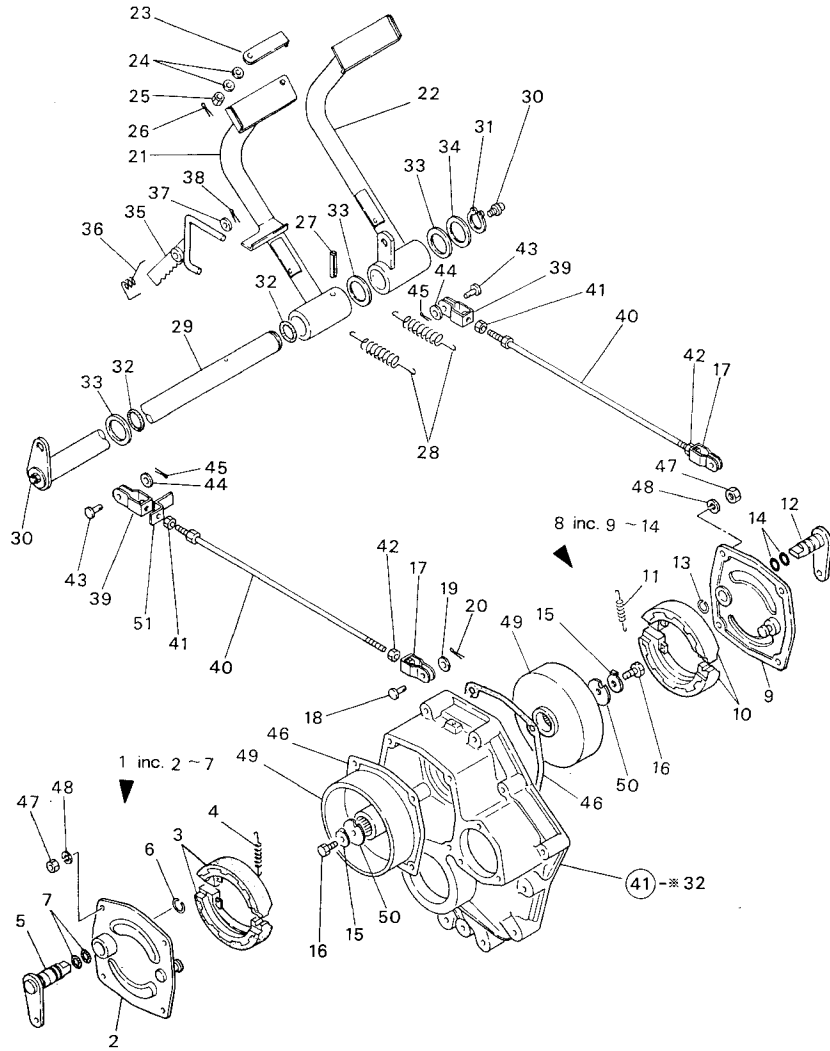


Fig. 48 BRAKES (PORTUGAL) [YM155,YM155D]

| Refer. No. | Description | Part No. | Q'ty/Unit | | | | Interchangeability | Design Mark | Remarks |
|--|----------------------------|----------------|-----------|--------|-------|--------|--------------------|-------------|---------|
| | | | YM155 | YM155D | YM155 | YM155D | | | |
| 48- 1 | BRAKE (L) ASS'Y | 794200-36001-X | 1 | 1 | | | | | |
| 48- 2 | .COVER, brake | 194200-36351-X | 1 | 1 | | | | | |
| 48- 3 | .BRAKE SHOE, complete | 194200-36512 | 2 | 2 | | | | | |
| 48- 4 | .SPRING, brake shoe return | 194200-36551 | 2 | 2 | | | | | |
| 48- 5 | .CAMSHAFT (L), brake | 194200-36701 | 1 | 1 | | | | | |
| 48- 6 | .RING, brake camshaft | 194200-36790 | 1 | 1 | | 10 | | | |
| 48- 7 | .O-RING 16-S | 194200-36780 | 2 | 2 | | 10 | | | |
| 48- 8 | BRAKE (R) ASS'Y | 794200-36011-X | 1 | 1 | | | | | |
| 48- 9 | .COVER, brake | 194200-36351-X | 1 | 1 | | | | | |
| 48- 10 | .BRAKE SHOE, complete | 194200-36512 | 2 | 2 | | | | | |
| 48- 11 | .SPRING, brake shoe return | 194200-36551 | 2 | 2 | | | | | |
| 48- 12 | .CAMSHAFT (R), brake | 194200-36711-X | 1 | 1 | | | | | |
| 48- 13 | .RING, brake camshaft | 194200-36790 | 1 | 1 | | 10 | | | |
| 48- 14 | .O-RING 16-S | 194200-36780 | 2 | 2 | | 10 | | | |
| 48- 15 | PLATE, lock | 194201-36610 | 2 | 2 | | | | | |
| 48- 16 | BOLT M10 x 16 | 26116-100162 | 2 | 2 | | 10 | | | |
| 48- 17 | JOINT, brake arm | 194200-36740 | 2 | 2 | | | | | |
| 48- 18 | PIN 8 x 20.5 | 194200-37810 | 2 | 2 | | | | | |
| 48- 19 | WASHER 8, plain | 22117-080000 | 2 | 2 | | 10 | | | |
| 48- 20 | COTTER PIN 2 x 15 | 22417-200150 | 2 | 2 | | 10 | | | |
| 48- 21 | PEDAL (L), brake | 194200-37304-X | 1 | 1 | | | | | |
| 48- 22 | PEDAL (R), brake | 194200-37401-X | 1 | 1 | | | | | |
| Remarks: Not interchangeable to the original type. However, interchangeable provided PINION (L) (Refer. No. 41-27 P/#194201-33410) or PINION (R) (Refer. No. 41-28 194201-33420), WASHER (194201-36620), PLATE (194201-36610) and BOLT M10 x 16 (26116-100162) are replaced together. | | | | | | | | | |

Fig. 48 BRAKES (PORTUGAL) [YM155, YM155D]

M E M O

| Refer. No. | Description | Part No. | Q'ty/Unit | | | Sales Unit | Inter-changeability | Design-change Mark | Remarks |
|------------|----------------------------|----------------|-----------|--------|-------|------------|---------------------|--------------------|---------|
| | | | YM155 | YM155D | YM135 | | | | |
| 48- 23 | CONNECTOR, brake | 194340-37350-R | 1 | 1 | | | | | |
| 48- 24 | SPRING 8, belleville | 194200-37390 | 2 | 2 | | | | | |
| 48- 25 | CASTLE NUT M8 | 26817-080002 | 1 | 1 | | 10 | | | |
| 48- 26 | COTTER PIN 2 x 18 | 22417-200180 | 1 | 1 | | 10 | | | |
| 48- 27 | SPRING PIN 8 x 40 | 22351-080040 | 1 | 1 | | 10 | | | |
| 48- 28 | SPRING, brake pedal return | 194200-37510 | 2 | 2 | | | | | |
| 48- 29 | SHAFT, brake pedal | 194200-37550 | 1 | 1 | | | | | |
| 48- 30 | GREASE NIPPLE A-M6F | 24764-010000 | 2 | 2 | | 10 | | | |
| 48- 31 | CIRCLIP 25-S | 22242-000250 | 1 | 1 | | 10 | | | |
| 48- 32 | O-RING 25-P | 24311-000250 | 2 | 2 | | 10 | | | |
| 48- 33 | LINER 26 x 36 x 2.3 | 194200-37600 | 3 | 3 | | | | | |
| 48- 34 | LINER 26 x 36 x 1 | 194200-37620 | 1 | 1 | | | | | |
| 48- 35 | LEVER, brake pedal lock | 194200-37652-X | 1 | 1 | | | | | |
| 48- 36 | SPRING, lock lever return | 194200-37692 | 1 | 1 | | | | | |
| 48- 37 | WASHER 12, plain | 22117-120000 | 1 | 1 | | 10 | | | |
| 48- 38 | COTTER PIN 2 x 20 | 22417-200200 | 1 | 1 | | 10 | | | |
| 48- 39 | JOINT, brake rod front | 194200-37740 | 2 | 2 | | | | | |
| 48- 40 | ROD, brake | 194200-37770 | 2 | 2 | | | | | |
| 48- 41 | LS-NUT M8 | 194200-37780 | 2 | 2 | | 10 | | | |
| 48- 42 | NUT M8 | 26716-080002 | 2 | 2 | | 10 | | | |
| 48- 43 | PIN 8 x 20.5 | 194200-37810 | 2 | 2 | | 10 | | | |
| 48- 44 | WASHER 8, plain | 22117-080000 | 2 | 2 | | 10 | | | |
| 48- 45 | COTTER PIN 2 x 15 | 22417-200150 | 2 | 2 | | 10 | | | |
| 48- 46 | PACKING, brake cover | 194200-36420 | 2 | 2 | | 5 | | | |
| 48- 47 | NUT M8 | 26716-080002 | 8 | 8 | | 10 | | | |
| 48- 48 | SPRING WASHER 8 | 22217-080000 | 8 | 8 | | 10 | | | |
| 48- 49 | DRUM, brake | 194200-36571 | 2 | 2 | | | | | |
| 48- 50 | WASHER, lock plate | 194201-36620 | 2 | 2 | | | | | |
| 48- 51 | PLATE, switch | 194340-52330 | 1 | 1 | | | | | |

Fig. 49 BRAKES [YM135,YM135D]

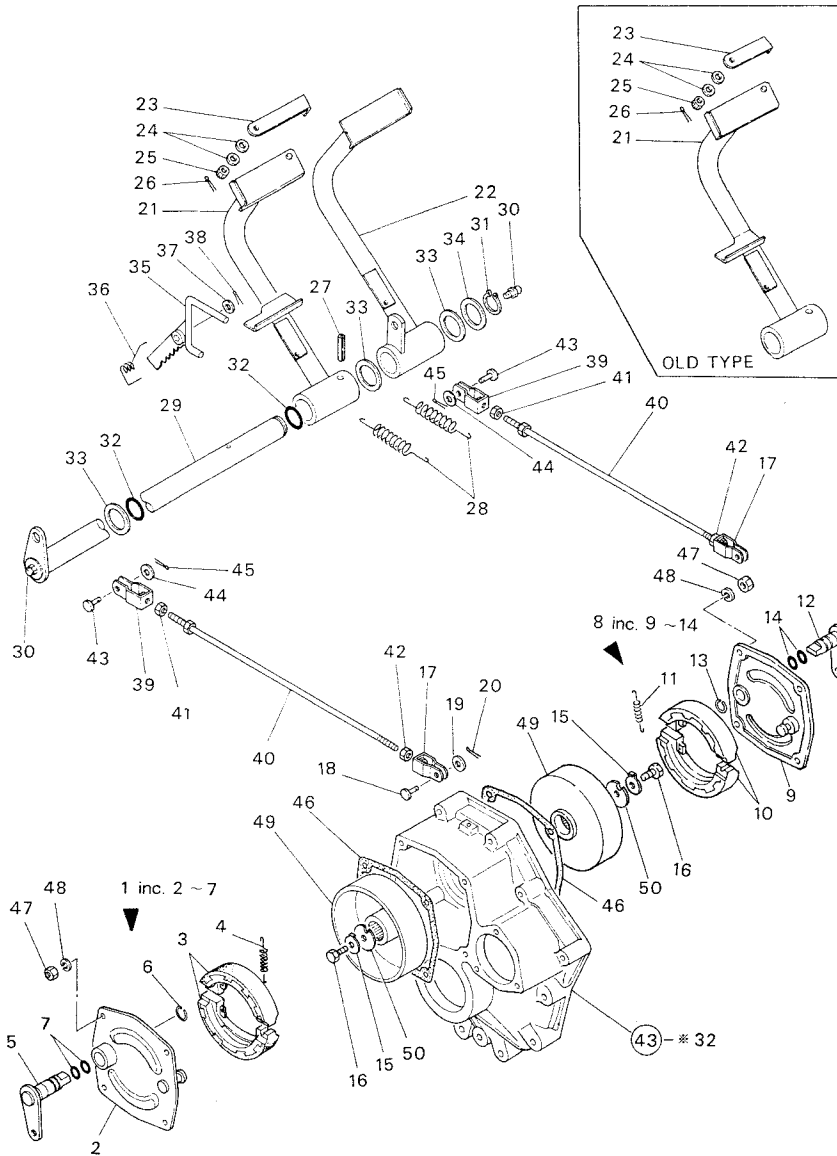


Fig. 49 BRAKES [YM135,YM135D]

| Refer. No. | Description | Part No. | Qty/Unit | | | | Interchangeability | Design Mark | Remarks |
|--|----------------------------|----------------|----------|--------|-------|--------|--------------------|-------------|---------|
| | | | YM155 | YM155D | YM135 | YM135D | | | |
| 49- 1 | BRAKE (L) ASS'Y | 794200-36001-X | | | 1 | 1 | | | |
| 49- 2 | .COVER, brake | 194200-36351-X | | | 1 | 1 | | | |
| 49- 3 | .BRAKE SHOE, complete | 194200-36512 | | | 2 | 2 | | | |
| 49- 4 | .SPRING, brake shoe return | 194200-36551 | | | 2 | 2 | | | |
| 49- 5 | .CAMSHAFT (L), brake | 194200-36701 | | | 1 | 1 | | | |
| 49- 6 | .RING, brake camshaft | 194200-36790 | | | 1 | 1 | 10 | | |
| 49- 7 | .O-RING 16-S | 194200-36780 | | | 2 | 2 | 10 | | |
| 49- 8 | BRAKE (R) ASS'Y | 794200-36011-X | | | 1 | 1 | | | |
| 49- 9 | .COVER, brake | 194200-36351-X | | | 1 | 1 | | | |
| 49- 10 | .BRAKE SHOE, complete | 194200-36512 | | | 2 | 2 | | | |
| 49- 11 | .SPRING, brake shoe return | 194200-36551 | | | 2 | 2 | | | |
| 49- 12 | .CAMSHAFT (R), brake | 194200-36711-X | | | 1 | 1 | | | |
| 49- 13 | .RING, brake camshaft | 194200-36790 | | | 1 | 1 | 10 | | |
| 49- 14 | .O-RING 16-S | 194200-36780 | | | 2 | 2 | 10 | | |
| 49- 15 | PLATE, lock | 194200-14160 | | | 2 | 2 | | | |
| 49- 16 | BOLT M8 x 16 | 26116-080162 | | | 2 | 2 | 10 | | |
| 49- 17 | JOINT, brake arm | 194200-36740 | | | 2 | 2 | | | |
| 49- 18 | PIN 8 x 17.5 | 194200-37800 | | | 2 | 2 | | | |
| | PIN 8 x 20.5 | 194200-37810 | | | 2 | 2 | | S | |
| 49- 19 | WASHER 8, plain | 22117-080000 | | | 2 | 2 | 10 | | |
| 49- 20 | COTTER PIN 2 x 20 | 22417-200200 | | | 2 | 2 | 10 | | |
| | COTTER PIN 2 x 15 | 22417-200150 | | | 2 | 2 | 10 | N | |
| Remarks: Not interchangeable to the original type. However, interchangeable provided PINION (L) (Refer. No. 43-27 P/#194200-33411) or PINION (R) (Refer. No.43-28 194262-33420), WASHER (194200-14171), PLATE (194200-14160) and BOLT M8 x 16 (26116-080162) are replaced together. | | | | | | | | | |

Fig. 49 BRAKES [YM135,YM135D]

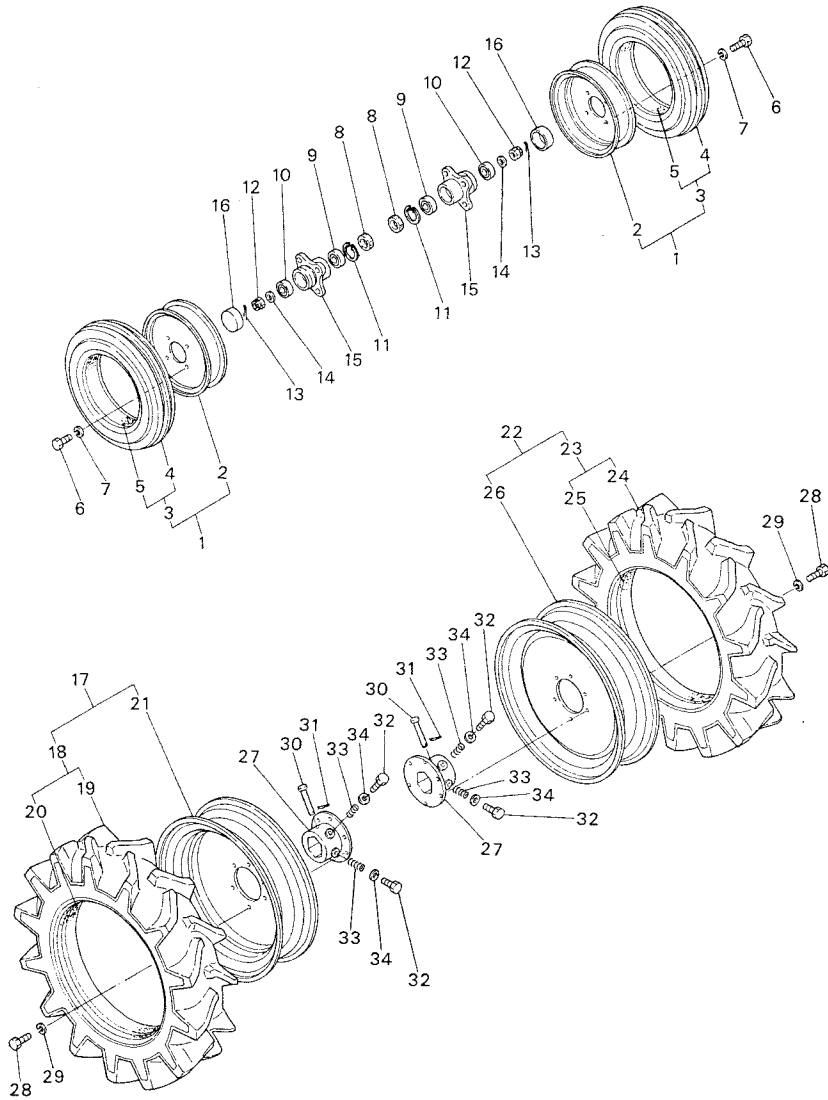
| Refer. No. | Description | Part No. | Qty/Unit | | | | Inter-change ability | Design-change Mark | Remarks |
|------------|----------------------------|----------------|----------|--------|-------|--------|----------------------|--------------------|---|
| | | | YM155 | YM155D | YM135 | YM135D | | | |
| 49- 21 | PEDAL (L), brake | 194200-37302-X | | | 1 | 1 | | | |
| | PEDAL (L), brake | 194200-37303-X | | | 1 | 1 | F | [3] | Interchangeable by set with 49-22. |
| | PEDAL (L), brake | 194200-37304-X | | | 1 | 1 | F | [5] | Interchangeable by set with 49-22, 49-23. |
| 49- 22 | PEDAL (R), brake | 194200-37400-X | | | 1 | 1 | | | |
| | PEDAL (R), brake | 194200-37401-X | | | 1 | 1 | F | [3] | Interchangeable by set with 49-21. |
| 49- 23 | CONNECTOR, brake | 194200-37350-R | | | 1 | 1 | | | |
| | CONNECTOR, brake | 194340-37350-R | | | 1 | 1 | F | [5] | Interchangeable by set with 49-21. |
| 49- 24 | SPRING 8, belleville | 194200-37390 | | | 2 | 2 | | | |
| 49- 25 | CASTLE NUT M8 | 26817-080002 | | | 1 | 1 | 10 | | |
| 49- 26 | COTTER PIN 2 x 20 | 22417-200200 | | | 1 | 1 | 10 | | |
| | COTTER PIN 2 x 18 | 22417-200180 | | | 1 | 1 | 10 | N | |
| 49- 27 | SPRING PIN 8 x 40 | 22351-080040 | | | 1 | 1 | 10 | | |
| 49- 28 | SPRING, brake pedal return | 194200-37510 | | | 2 | 2 | | | |
| 49- 29 | SHAFT, brake pedal | 194200-37550 | | | 1 | 1 | | | |
| 49- 30 | GREASE NIPPLE A-M6F | 24761-010000 | | | 2 | 2 | 10 | | |
| | GREASE NIPPLE A-M6F | 24764-010000 | | | 2 | 2 | 10 | N | |
| 49- 31 | CIRCLIP 25-S | 22242-000250 | | | 1 | 1 | 10 | | |
| 49- 32 | O-RING 25-P | 24311-000250 | | | 2 | 2 | 10 | | |
| 49- 33 | LINER 26 x 36 x 2.3 | 194200-37600 | | | 3 | 3 | | | |
| 49- 34 | LINER 26 x 36 x 1 | 194200-37620 | | | 1 | 1 | | | |
| 49- 35 | LEVER, brake pedal lock | 194200-37652-X | | | 1 | 1 | | | |
| 49- 36 | SPRING, lock lever return | 194200-37690 | | | 1 | 1 | | | |
| | SPRING, lock lever return | 194200-37691 | | | 1 | 1 | | S | YM135 from No. 51263 YM135D from No. 51305 |
| | SPRING, lock lever return | 194200-37692 | | | 1 | 1 | | S | YM135 from No. 51421 YM135D from No. 51581 |

Fig. 49 BRAKES [YM135,YM135D]

| Refer. No. | Description | Part No. | Qty/Unit | | | | Inter-change ability | Design-change Mark | Remarks |
|------------|------------------------|--------------|----------|--------|-------|--------|----------------------|--------------------|---------|
| | | | YM155 | YM155D | YM135 | YM135D | | | |
| 49- 37 | WASHER 12, plain | 22117-120000 | | | 1 | 1 | 10 | | |
| 49- 38 | COTTER PIN 2 x 20 | 22417-200200 | | | 1 | 1 | 10 | | |
| 49- 39 | JOINT, brake rod front | 194200-37740 | | | 2 | 2 | | | |
| 49- 40 | ROD, brake | 194200-37770 | | | 2 | 2 | | | |
| 49- 41 | LS-NUT M8 | 194200-37780 | | | 2 | 2 | 10 | | |
| 49- 42 | NUT M8 | 26716-080002 | | | 2 | 2 | 10 | | |
| 49- 43 | PIN 8 x 17.5 | 194200-37800 | | | 2 | 2 | | | |
| | PIN 8 x 20.5 | 194200-37810 | | | 2 | 2 | 10 | N | |
| 49- 44 | WASHER 8, plain | 22117-080000 | | | 2 | 2 | 10 | | |
| 49- 45 | COTTER PIN 2 x 20 | 22417-200200 | | | 2 | 2 | 10 | | |
| | COTTER PIN 2 x 15 | 22417-200150 | | | 2 | 2 | 10 | N | |
| 49- 46 | PACKING, brake cover | 194200-36420 | | | 2 | 2 | 5 | | |
| 49- 47 | NUT M8 | 26716-080002 | | | 8 | 8 | 10 | | |
| 49- 48 | SPRING WASHER 8 | 22217-080000 | | | 8 | 8 | 10 | | |
| 49- 49 | DRUM, brake | 194200-36571 | | | 2 | 2 | | | |
| 49- 50 | WASHER, lock plate | 194200-14171 | | | 2 | 2 | | | |

Fig. 50 FRONT & REAR TIRES (U.S.A. & S.AFRICA) [YM155]

Fig. 50 FRONT & REAR TIRES (U.S.A. & S.AFRICA) [YM155]



| Refer. No. | Description | Part No. | Qty/Unit | | | Sales Unit | Inter-changeability | Design-change Mark | Remarks |
|------------|----------------------------|----------------|----------|--------|-------|------------|---------------------|--------------------|-----------------|
| | | | YM155 | YM155D | YM135 | | | | |
| 50- 1 | TIRE ASS'Y, front wheel | 794200-11850-P | 2 | | | | | | |
| | TIRE ASS'Y, front wheel | 794200-11850-Q | 2 | | | | S | | YM155 -T/#52400 |
| 50- 2 | .WHEEL 3.50B x 10GA, disc | 194200-11880-P | 2 | | | | | | |
| | .WHEEL 3.50B x 10GA, disc | 194200-11880-Q | 2 | | | | S | | YM155 -T/#52400 |
| 50- 3 | .TIRE ASS'Y 4.50-10, front | 194200-11900 | 2 | | | | | | |
| 50- 4 | ..TIRE 4.50-10 | 194200-11910 | 2 | | | | | | |
| 50- 5 | ..TUBE, tire | 194200-11920 | 2 | | | | | | |
| 50- 6 | BOLT M12 x 25 | 26116-120252 | 8 | | | 10 | | | |
| | BOLT M12 x 25 | 26013-120252 | 8 | | | | N | | |
| 50- 7 | SPRING WASHER 12 | 22217-120000 | 8 | | | 10 | Z | | |
| 50- 8 | OIL SEAL TC 35 52 11 | 194150-12720 | 2 | | | 10 | | | |
| 50- 9 | BALL BEARING 6205 | 24101-062054 | 2 | | | | | | |
| 50- 10 | BALL BEARING 6204 | 24101-062044 | 2 | | | | | | |
| 50- 11 | CIRCLIP 48-H | 22252-000480 | 2 | | | 10 | | | Selective |
| | WASHER 42 x 51.8 x 1 | 194151-11670 | 2 | | | 10 | | | |
| 50- 12 | CASTLE NUT M20 | 26837-200002 | 2 | | | 10 | | | |
| | CASTLE NUT M20 | 26877-200002 | 2 | | | | N | | |
| 50- 13 | COTTER PIN 4 x 40 | 22417-400400 | 2 | | | 10 | | | |
| 50- 14 | WASHER 20, plain | 194151-12640 | 2 | | | | | | |
| 50- 15 | HUB, front wheel | 194200-11801-P | 2 | | | | | | |
| | HUB, front wheel | 194200-11801-Q | 2 | | | | S | | YM115 -T/#52400 |
| 50- 16 | COVER, front wheel hub. | 194151-12620-X | 2 | | | | | | |
| 50- 17 | TIRE ASS'Y (L), rear wheel | 794340-34810 | 1 | | | | | | |
| 50- 18 | .TIRE ASS'Y, rear | 794340-34930 | 1 | | | | | | |
| 50- 19 | ..TIRE | 194340-34940 | 1 | | | | | | |
| 50- 20 | ..TUBE, tire | 194200-34950 | 1 | | | | | | |
| 50- 21 | .WHEEL, disc | 194200-34960-P | 1 | | | | | | |
| | .WHEEL, disc | 194200-34960-Q | 1 | | | | S | | YM155 -T/#52400 |

Fig. 50 FRONT & REAR TIRES (U.S.A. & S.AFRICA) [YM155]

M E M O

| Refer. No. | Description | Part No. | Q'ty/Unit | | | Sales Unit | Inter-changeability | Design-change Mark | Remarks |
|------------|-----------------------------|----------------|-----------|--------|-------|------------|---------------------|--------------------|---------|
| | | | YM155 | YM155D | YM135 | | | | |
| 50- 22 | TIRE ASS'Y (R), rear wheel | 794340-34820 | 1 | | | | | | |
| 50- 23 | .TIRE ASS'Y, rear | 794340-34930 | 1 | | | | | | |
| 50- 24 | ..TIRE | 194340-34940 | 1 | | | | | | |
| 50- 25 | ..TUBE, tire | 194200-34950 | 1 | | | | | | |
| 50- 26 | .WHEEL, disc | 194200-34960-P | 1 | | | | | | |
| | .WHEEL, disc | 194200-34960-Q | 1 | | | | S | YM155 -T/#52400 | |
| 50- 27 | HUB, rear wheel | 194200-34711 | 1 | | | | | | |
| | HUB, rear wheel | 194202-34710 | 2 | | | | N | | |
| 50- 28 | BOLT M12 x 25 | 26116-120252 | 12 | | | 10 | | | |
| | BOLT M12 x 25 | 26013-120252 | 12 | | | | N | | |
| 50- 29 | SPRING WASHER 12 | 22217-120000 | 12 | | | 10 | Z | | |
| 50- 30 | PIN 10 x 78, rear wheel hub | 194200-34750 | 2 | | | | | | |
| 50- 31 | SNAP PIN 10 | 22360-100000 | 2 | | | 10 | | | |
| 50- 32 | BOLT, flange | 1A1040-36010 | 4 | | | | | | |
| 50- 33 | SPRING, flange bolt | 1A1040-36040 | 4 | | | | | | |
| 50- 34 | WASHER 16, plain | 22117-160000 | 4 | | | 10 | | | |

Fig. 51 FRONT & REAR TIRES (U.S.A. & S.AFRICA) [YM155D]

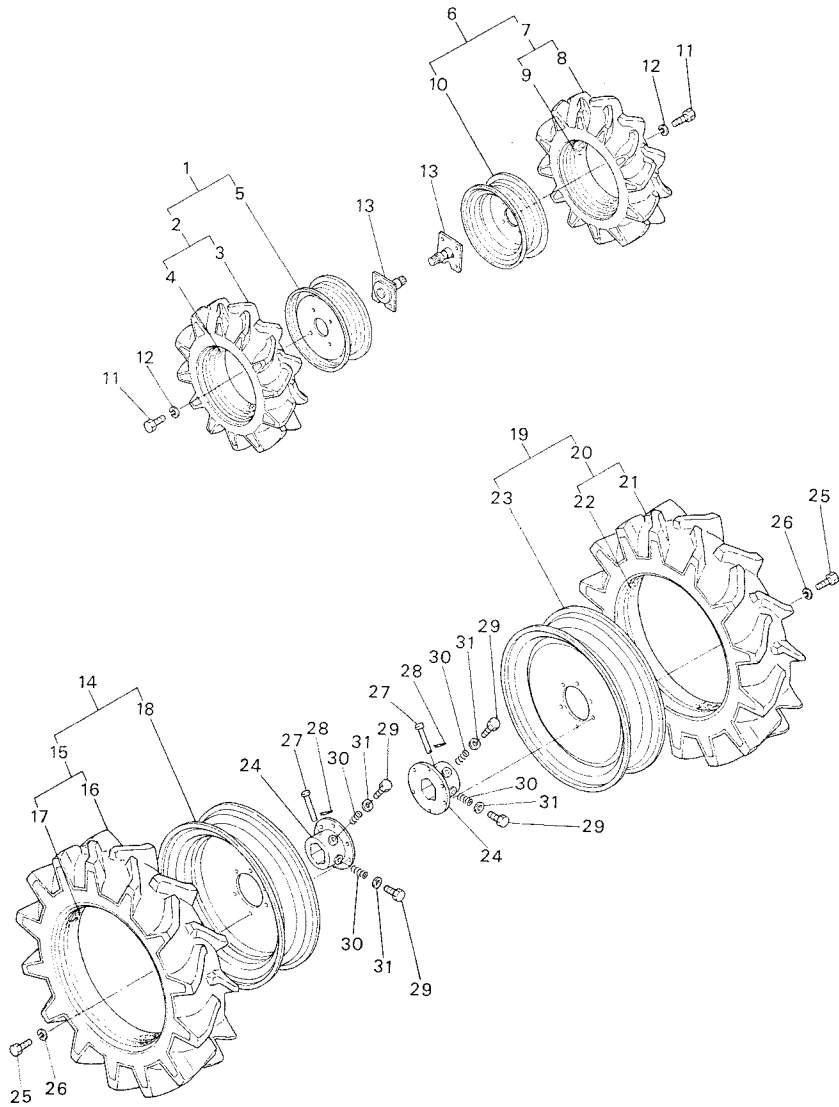


Fig. 51 FRONT & REAR TIRES (U.S.A. & S.AFRICA) [YM155D]

| Refer. No. | Description | Part No. | Qty/Unit | | | Inter-changeability | Design-Mark | Remarks |
|------------|-------------------------------|----------------|----------|--------|-------|---------------------|-------------|-----------------------|
| | | | YM155 | YM155D | YM155 | | | |
| 51- 1 | TIRE ASS'Y (L), front wheel | 794210-12910 | | 1 | | | | |
| | TIRE ASS'Y (L), front wheel | 794341-12910-P | | 1 | | N | | |
| | TIRE ASS'Y (L), front wheel | 794341-12910-Q | | 1 | | S | | YM155D from No. 58304 |
| 51- 2 | .TIRE ASS'Y 5-12, front wheel | 794210-12930 | | 2 | | | | |
| | .TIRE ASS'Y 5-12, front wheel | 794341-12930 | | 2 | | N | | |
| | .TIRE ASS'Y 5-12, front wheel | 194341-12930 | | 1 | | N | | |
| 51- 3 | ..TIRE 5-12, front wheel | 1A1030-34200 | | 1 | | | | |
| | ..TIRE 5-12, front wheel | 194341-12870 | | 1 | | N | | YM155D from No. 55106 |
| 51- 4 | ..TUBE 5-12, tire | 1A1030-34250 | | 1 | | | | |
| 51- 5 | .WHEEL 4JA-12, disc | 194210-12850-P | | 1 | | | | |
| | .WHEEL 4JA-12, disc | 194210-12850-Q | | 1 | | S | | YM155D from No. 58304 |
| 51- 6 | TIRE ASS'Y (R), front wheel | 794210-12920 | | 1 | | | | |
| | TIRE ASS'Y (R), front wheel | 794341-12920-P | | 1 | | N | | |
| | TIRE ASS'Y (R), front wheel | 794341-12920-Q | | 1 | | S | | YM155D from No. 58304 |
| 51- 7 | .TIRE ASS'Y 5-12, front wheel | 794210-12930 | | 2 | | | | |
| | .TIRE ASS'Y 5-12, front wheel | 794341-12930 | | 2 | | N | | |
| | .TIRE ASS'Y 5-12, front wheel | 194341-12930 | | 1 | | N | | |
| 51- 8 | ..TIRE 5-12, front wheel | 1A1030-34200 | | 1 | | | | |
| | ..TIRE 5-12, front wheel | 194341-12870 | | 1 | | N | | YM155D from No. 55106 |
| 51- 9 | ..TUBE 5-12, tire | 1A1030-34250 | | 1 | | | | |
| | .WHEEL 4JA-12, disc | 194210-12850-P | | 1 | | | | |
| 51- 10 | .WHEEL 4JA-12, disc | 194210-12850-Q | | 1 | | S | | YM155D from No. 58304 |
| | .WHEEL 4JA-12, disc | 194210-12850-Q | | 1 | | S | | YM155D from No. 58304 |
| 51- 11 | BOLT M12 x 25 | 26116-120252 | | 8 | | | 10 | |
| | BOLT M12 x 25 | 26013-120252 | | 8 | | N | | |
| 51- 12 | SPRING WASHER 12 | 22217-120000 | | 8 | | | 10 | Z |
| 51- 13 | SHAFT, front axle | 194210-14350 | | 2 | | | | |
| | SHAFT, front axle | 194341-14350 | | 2 | | S | | [4] |

Fig. 51 FRONT & REAR TIRES (U.S.A & S. AFRICA) [YM155D]

M E M O

| Refer. No. | Description | Part No. | Qty/Unit | | | Sales Unit | Inter-changeability | Design-change Mark | Remarks |
|------------|-----------------------------|----------------|----------|--------|-------|------------|---------------------|--------------------|---------|
| | | | YM155 | YM155D | YM135 | | | | |
| 51- 14 | TIRE ASS'Y (L), rear wheel | 794340-34810 | | 1 | | | | | |
| 51- 15 | .TIRE ASS'Y, rear | 794340-34930 | | 1 | | | | | |
| 51- 16 | ..TIRE | 194340-34940 | | 1 | | | | | |
| 51- 17 | ..TUBE, tire | 194200-34950 | | 1 | | | | | |
| 51- 18 | .WHEEL, disc | 194200-34960-Q | | 1 | | | | | |
| 51- 19 | TIRE ASS'Y (R), rear wheel | 794340-34820 | | 1 | | | | | |
| 51- 20 | .TIRE ASS'Y, rear | 794340-34930 | | 1 | | | | | |
| 51- 21 | ..TIRE | 194340-34940 | | 1 | | | | | |
| 51- 22 | ..TUBE, tire | 194200-34950 | | 1 | | | | | |
| 51- 23 | .WHEEL, disc | 194200-34960-Q | | 1 | | | | | |
| 51- 24 | HUB, rear wheel | 194200-34711 | | 2 | | | | | |
| | HUB, rear wheel | 194202-34710 | | 2 | | | N | | |
| 51- 25 | BOLT M12 x 35 | 26116-120352 | | 12 | 10 | | | | |
| | BOLT M12 x 35 | 26013-120352 | | 12 | 10 | | N | | |
| 51- 26 | SPRING WASHER 12 | 22217-120000 | | 12 | 10 | | Z | | |
| 51- 27 | PIN 10 x 78, rear wheel hub | 194200-34750 | | 2 | | | | | |
| 51- 28 | SNAP PIN 10 | 22360-100000 | | 2 | 10 | | | | |
| 51- 29 | BOLT, flange | 1A1040-36010 | | 4 | | | | | |
| 51- 30 | SPRING, flange bolt | 1A1040-36040 | | 4 | | | | | |
| 51- 31 | WASHER 16, plain | 22117-160000 | | 4 | 10 | | | | |

Fig. 52 FRONT & REAR TIRES (FRANCE, ENGLAND & PORTUGAL) [YM155]

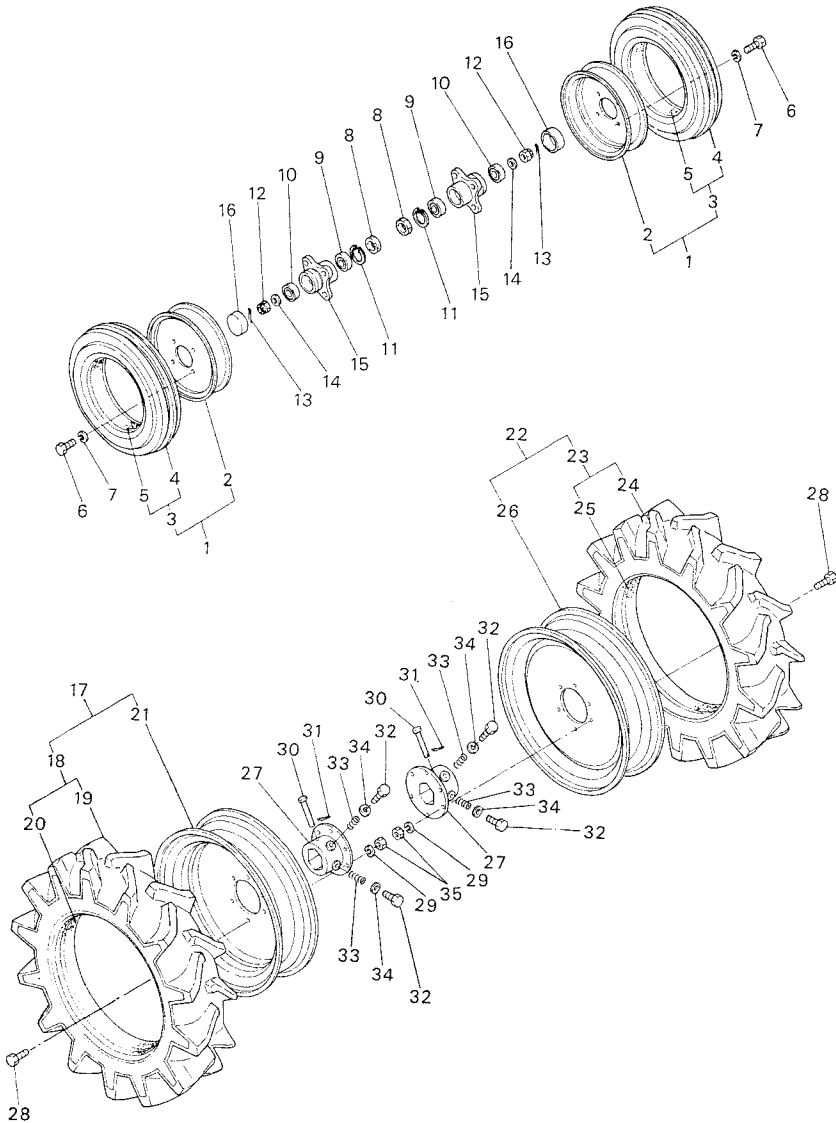


Fig. 52 FRONT & REAR TIRES (FRANCE, ENGLAND & PORTUGAL) [YM155]

| Refer. No. | Description | Part No. | Qty/Unit | | | | Sales Unit | Inter-change ability | Design-change Mark | Remarks |
|------------|----------------------------|----------------|----------|--------|-------|--------|------------|----------------------|--------------------|-----------|
| | | | YM155 | YM155D | YM135 | YM135D | | | | |
| 52- 1 | TIRE ASS'Y, front wheel | 794200-11850-Q | 2 | | | | | | | |
| 52- 2 | .WHEEL 3.50B x 10GA, disc | 194200-11880-Q | 2 | | | | | | | |
| 52- 3 | .TIRE ASS'Y 4.50-10, front | 194200-11900 | 2 | | | | | | | |
| 52- 4 | ..TIRE 4.50-10 | 194200-11910 | 2 | | | | | | | |
| 52- 5 | ..TUBE, tire | 194200-11920 | 2 | | | | | | | |
| 52- 6 | BOLT M12 x 25 | 26116-120252 | 8 | | | | 10 | | | |
| | BOLT M12 x 25 | 26013-120252 | 8 | | | | 10 | N | | |
| 52- 7 | SPRING WASHER 12 | 22217-120000 | 8 | | | | 10 | Z | | |
| 52- 8 | OIL SEAL TC 35 52 11 | 194150-12720 | 2 | | | | 10 | | | |
| 52- 9 | BALL BEARING 6205 | 24101-062054 | 2 | | | | | | | |
| 52- 10 | BALL BEARING 6204 | 24101-062044 | 2 | | | | | | | |
| 52- 11 | CIRCLIP 48-H | 22252-000480 | 2 | | | | 10 | | | Selective |
| | WASHER 42 x 51.8 x 1 | 194151-11670 | 2 | | | | 10 | | | |
| 52- 12 | CASTLE NUT M20 | 26837-200002 | 2 | | | | 10 | | | |
| | CASTLE NUT M20 | 26877-200002 | 2 | | | | 10 | N | | |
| 52- 13 | COTTER PIN 4 x 40 | 22417-400400 | 2 | | | | 10 | | | |
| 52- 14 | WASHER 20, plain | 194151-12640 | 2 | | | | | | | |
| 52- 15 | HUB, front wheel | 194200-11801-Q | 2 | | | | | | | |
| 52- 16 | COVER, front wheel hub. | 194151-12620-X | 2 | | | | | | | |
| 52- 17 | TIRE ASS'Y (L), rear wheel | 794340-34810 | 1 | | | | | | | |
| 52- 18 | .TIRE ASS'Y, rear | 794340-34930 | 1 | | | | | | | |
| 52- 19 | ..TIRE | 194340-34940 | 1 | | | | | | | |
| 52- 20 | ..TUBE, tire | 194200-34950 | 1 | | | | | | | |
| 52- 21 | .WHEEL, disc | 194200-34960-Q | 1 | | | | | | | |

Fig. 52 FRONT & REAR TIRES (FRANCE, ENGLAND & PORTUGAL) {YM155}

M E M O

| Refer. No. | Description | Part No. | Qty/Unit | | | Sales Unit | Inter-change ability | Design-change Mark | Remarks |
|------------|-----------------------------|----------------|----------|--------|-------|------------|----------------------|--------------------|---------|
| | | | YM155 | YM155D | YM135 | | | | |
| 52- 22 | TIRE ASS'Y (R), rear wheel | 794340-34820 | 1 | | | | | | |
| 52- 23 | .TIRE ASS'Y, rear | 794340-34930 | 1 | | | | | | |
| 52- 24 | ..TIRE | 194340-34940 | 1 | | | | | | |
| 52- 25 | ..TUBE, tire | 194200-34950 | 1 | | | | | | |
| 52- 26 | .WHEEL, disc | 194200-34960-Q | 1 | | | | | | |
| 52- 27 | HUB, rear wheel | 194200-34711 | 1 | | | | | | |
| | HUB, rear wheel | 194202-34710 | 2 | | | | N | | |
| 52- 28 | BOLT M12 x 35 | 26116-120352 | 12 | | | 10 | | | |
| | BOLT M12 x 35 | 26013-120352 | 12 | | | 10 | N | | |
| 52- 29 | SPRING WASHER 12 | 22217-120000 | 12 | | | 10 | Z | | |
| 52- 30 | PIN 10 x 78, rear wheel hub | 194200-34750 | 2 | | | | | | |
| 52- 31 | SNAP PIN 10 | 22360-100000 | 2 | | | 10 | | | |
| 52- 32 | BOLT, flange | 1A1040-36010 | 4 | | | | | | |
| 52- 33 | SPRING, flange bolt | 1A1040-36040 | 4 | | | | | | |
| 52- 34 | WASHER 16, plain | 22117-160000 | 4 | | | 10 | | | |
| 52- 35 | NUT M10 | 26716-120002 | 12 | | | 10 | | | |

Fig. 53 FRONT & REAR TIRES (FRANCE, ENGLAND & PORTUGAL) [YM155D]

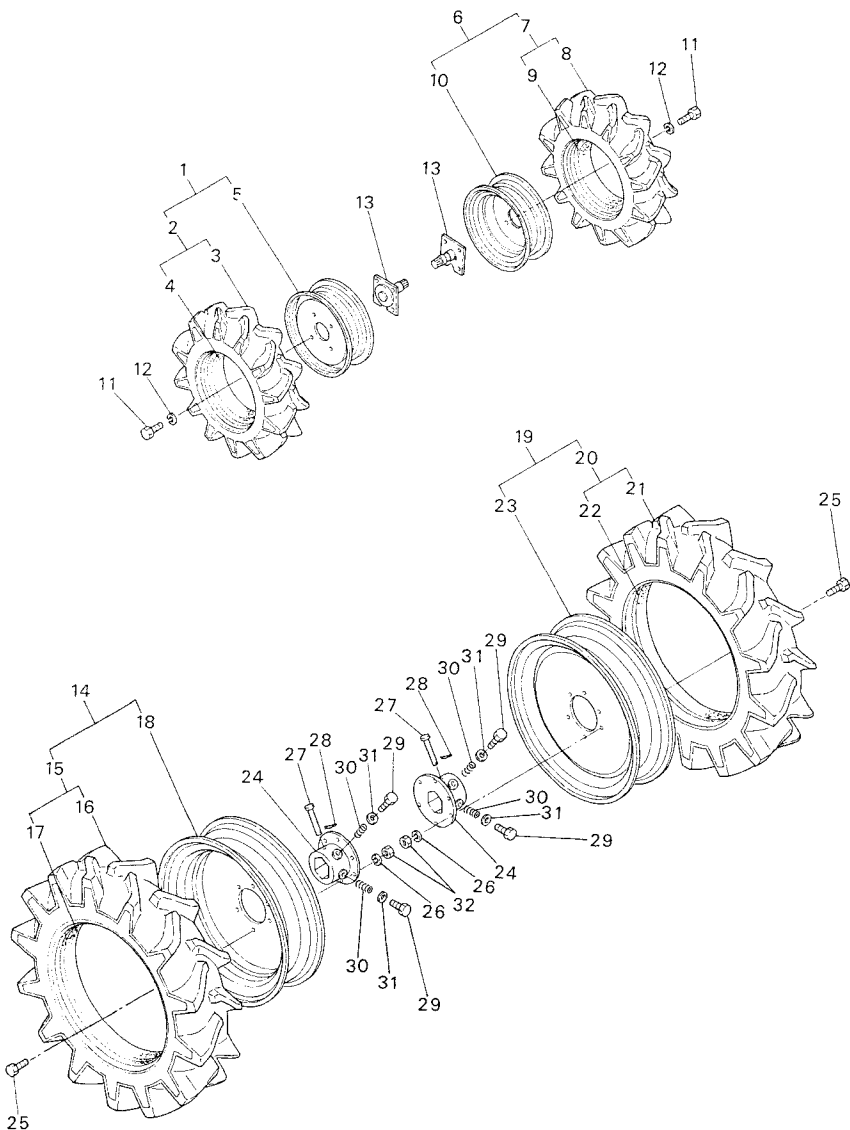


Fig. 53 FRONT & REAR TIRES (FRANCE, ENGLAND & PORTUGAL) [YM155D]

| Refer. No. | Description | Part No. | Qy/Unit | | | | Inter-changeability | Design-change Mark | Remarks |
|------------|-------------------------------|----------------|---------|--------|-------|--------|---------------------|-----------------------|---------|
| | | | YM155 | YM155D | YM135 | YM135D | | | |
| 53- 1 | TIRE ASS'Y (L), front wheel | 794210-12910 | | 1 | | | | | |
| | TIRE ASS'Y (L), front wheel | 794341-12910-Q | | 1 | | | N | | |
| 53- 2 | .TIRE ASS'Y 5-12, front wheel | 794210-12930 | | 2 | | | | | |
| | .TIRE ASS'Y 5-12, front wheel | 794341-12930 | | 2 | | | N | | |
| | .TIRE ASS'Y 5-12, front wheel | 194341-12930 | | 1 | | | N | | |
| 53- 3 | ..TIRE 5-12, front wheel | 1A1030-34200 | | 1 | | | | | |
| | ..TIRE 5-12, front wheel | 194341-12870 | | 1 | | | N | YM155D from No. 55106 | |
| 53- 4 | ..TUBE 5-12, tire | 1A1030-34250 | | 1 | | | | | |
| 53- 5 | .WHEEL 4JA-12, disc | 194210-12850-Q | | 1 | | | | | |
| 53- 6 | TIRE ASS'Y (R), front wheel | 794210-12920 | | 1 | | | | | |
| | TIRE ASS'Y (R), front wheel | 794341-12920-Q | | 1 | | | N | | |
| 53- 7 | .TIRE ASS'Y 5-12, front wheel | 794210-12930 | | 2 | | | | | |
| | .TIRE ASS'Y 5-12, front wheel | 794341-12930 | | 2 | | | N | | |
| | .TIRE ASS'Y 5-12, front wheel | 194341-12930 | | 1 | | | N | | |
| 53- 8 | ..TIRE 5-12, front wheel | 1A1030-34200 | | 1 | | | | | |
| | ..TIRE 5-12, front wheel | 194341-12870 | | 1 | | | N | YM155D from No. 55106 | |
| 53- 9 | ..TUBE 5-12, tire | 1A1030-34250 | | 1 | | | | | |
| 53- 10 | .WHEEL 4JA-12, disc | 194210-12850-Q | | 1 | | | | | |
| 53- 11 | BOLT M12 x 25 | 26116-120252 | | 8 | | 10 | | | |
| | BOLT M12 x 25 | 26013-120252 | | 8 | | 10 | N | | |
| 53- 12 | SPRING WASHER 12 | 22217-120000 | | 8 | | 10 | Z | | |
| 53- 13 | SHAFT, front axle | 194210-14350 | | 2 | | | | | |
| | SHAFT, front axle | 194341-14350 | | 2 | | | S | [4] | |

Fig. 53 FRONT & REAR TIRES (FRANCE, ENGLAND & PORTUGAL) [YM155D]

M E M O

| Refer. No. | Description | Part No. | Q'ty/Unit | | | Sales Unit | Inter-change ability | Design-change Mark | Remarks |
|------------|-----------------------------|----------------|-----------|--------|-------|------------|----------------------|--------------------|---------|
| | | | YM155 | YM155D | YM135 | | | | |
| 53- 14 | TIRE ASS'Y (L), rear wheel | 794340-34810 | | 1 | | | | | |
| 53- 15 | .TIRE ASS'Y, rear | 794340-34930 | | 1 | | | | | |
| 53- 16 | ..TIRE | 194340-34940 | | 1 | | | | | |
| 53- 17 | ..TUBE, tire | 194200-34950 | | 1 | | | | | |
| 53- 18 | .WHEEL, disc | 194200-34960-Q | | 1 | | | | | |
| 53- 19 | TIRE ASS'Y (R), rear wheel | 794340-34820 | | 1 | | | | | |
| 53- 20 | .TIRE ASS'Y, rear | 794340-34930 | | 1 | | | | | |
| 53- 21 | ..TIRE | 194340-34940 | | 1 | | | | | |
| 53- 22 | ..TUBE, tire | 194200-34950 | | 1 | | | | | |
| 53- 23 | .WHEEL, disc | 194200-34960-Q | | 1 | | | | | |
| 53- 24 | HUB, rear wheel | 194200-34711 | | 2 | | | | | |
| | HUB, rear wheel | 194202-34710 | | 2 | | | N | | |
| 53- 25 | BOLT M12 x 35 | 26116-120352 | | 12 | 10 | | | | |
| | BOLT M12 x 35 | 26013-120352 | | 12 | 10 | | N | | |
| 53- 26 | SPRING WASHER 12 | 22217-120000 | | 12 | 10 | | Z | | |
| 53- 27 | PIN 10 x 78, rear wheel hub | 194200-34750 | | 2 | | | | | |
| 53- 28 | SNAP PIN 10 | 22360-100000 | | 2 | 10 | | | | |
| 53- 29 | BOLT, flange | 1A1040-36010 | | 4 | | | | | |
| 53- 30 | SPRING, flange bolt | 1A1040-36040 | | 4 | | | | | |
| 53- 31 | WASHER 16, plain | 22117-160000 | | 4 | 10 | | | | |
| 53- 32 | NUT M10 | 26716-100002 | | 12 | 10 | | | | |

Fig. 54 FRONT & REAR TIRES (U.S.A.) [YM135]

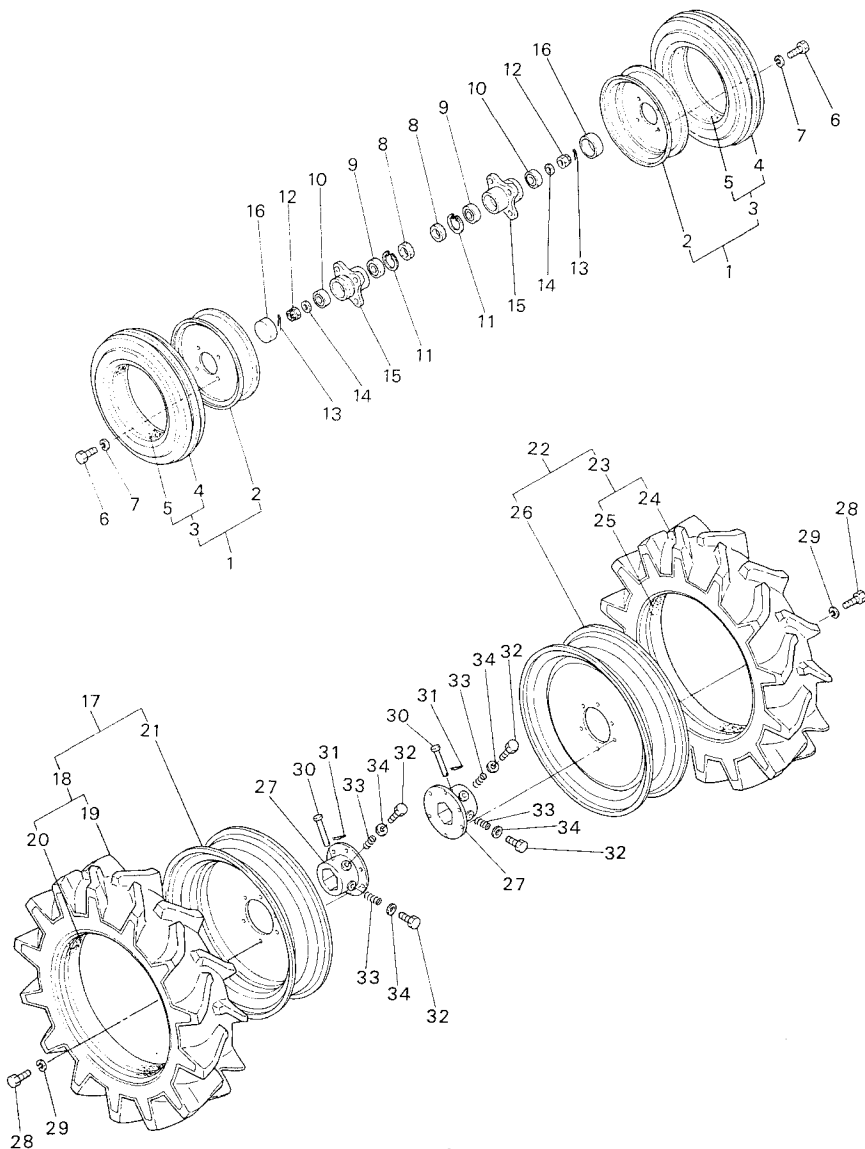


Fig. 54 FRONT & REAR TIRES (U.S.A.) [YM135]

| Refer. No. | Description | Part No. | Q'ty/Unit | | | | Sales Unit | Interchangeability | Design Mark | Remarks |
|------------|----------------------------|----------------|-----------|--------|-------|--------|------------|--------------------|-------------|---------|
| | | | YM155 | YM155D | YM135 | YM135D | | | | |
| 54- 1 | TIRE ASS'Y, front wheel | 794200-11850-P | | | 2 | | | | | |
| 54- 2 | .WHEEL 3.50B x 10GA, disc | 194200-11880-P | | | 2 | | | | | |
| 54- 3 | .TIRE ASS'Y 4.50-10, front | 194200-11900 | | | 2 | | | | | |
| 54- 4 | ..TIRE 4.50-10 | 194200-11910 | | | 2 | | | | | |
| 54- 5 | ..TUBE, tire | 194200-11920 | | | 2 | | | | | |
| 54- 6 | BOLT M12 x 25 | 26116-120252 | | | 8 | | 10 | | | |
| | BOLT M12 x 25 | 26013-120252 | | | 8 | | 10 | N | | |
| 54- 7 | SPRING WASHER 12 | 22217-120000 | | | 8 | | 10 | Z | | |
| 54- 8 | OIL SEAL TC 35 52 11 | 194150-12720 | | | 2 | | 10 | | | |
| 54- 9 | BALL BEARING 6205 | 24101-062054 | | | 2 | | | | | |
| 54- 10 | BALL BEARING 6204 | 24101-062044 | | | 2 | | | | | |
| 54- 11 | CIRCLIP 48-H | 22252-000480 | | | 2 | | 10 | | | |
| | WASHER 42 x 51.8 x 1 | 194151-11670 | | | 2 | | 10 | | Selective | |
| 54- 12 | CASTLE NUT M20 | 26837-200002 | | | 2 | | 10 | | | |
| | CASTLE NUT M20 | 26877-200002 | | | 2 | | 10 | N | | |
| 54- 13 | COTTER PIN 4 x 40 | 22417-400400 | | | 2 | | 10 | | | |
| 54- 14 | WASHER 20, plain | 194151-12640 | | | 2 | | | | | |
| 54- 15 | HUB, front wheel | 194200-11801-P | | | 2 | | | | | |
| 54- 16 | COVER, front wheel hub. | 194151-12620-X | | | 2 | | | | | |
| 54- 17 | TIRE ASS'Y (L), rear wheel | 194390-34900 | | | 1 | | | | | |
| | TIRE ASS'Y (L), rear wheel | 194390-34810 | | | 1 | | | N | [1] | |
| | TIRE ASS'Y (L), rear wheel | 794390-34810 | | | 1 | | | N | | |
| 54- 18 | .TIRE ASS'Y, rear | 194390-34930 | | | 1 | | | | | |
| 54- 19 | ..TIRE | 194390-34940 | | | 1 | | | | | |
| 54- 20 | ..TUBE, tire | 194390-34950 | | | 1 | | | | | |
| | ..TUBE, tire | 194200-34950 | | | 1 | | | N | | |
| 54- 21 | .WHEEL, disc | 194200-34960-P | | | 1 | | | | | |

Fig. 54 FRONT & REAR TIRES (U.S.A.) [YM135]

M E M O

| Refer. No. | Description | Part No. | Q'ty/Unit | | | | Sales Unit | Inter-change ability | Design-change Mark | Remarks |
|------------|-----------------------------|----------------|-----------|--------|-------|--------|------------|----------------------|--------------------|---------|
| | | | YM155 | YM155D | YM135 | YM135D | | | | |
| 54- 22 | TIRE ASS'Y (R), rear wheel | 194390-34950 | | | 1 | | | | | |
| | TIRE ASS'Y (R), rear wheel | 194390-34820 | | | 1 | | N | [1] | | |
| | TIRE ASS'Y (R), rear wheel | 794390-34820 | | | 1 | | N | | | |
| 54- 23 | .TIRE ASS'Y, rear | 194390-34930 | | | 1 | | | | | |
| 54- 24 | ..TIRE | 194390-34940 | | | 1 | | | | | |
| 54- 25 | ..TUBE, tire | 194390-34950 | | | 1 | | | | | |
| | ..TUBE, tire | 194200-34950 | | | 1 | | N | | | |
| 54- 26 | .WHEEL, disc | 194200-34960-P | | | 1 | | | | | |
| 54- 27 | HUB, rear wheel | 194200-34711 | | | 2 | | | | | |
| | HUB, rear wheel | 194202-34710 | | | 2 | | N | | | |
| 54- 28 | BOLT M12 x 25 | 26116-120252 | | | 12 | 10 | | | | |
| 54- 29 | SPRING WASHER 12 | 22217-120000 | | | 12 | 10 | | | | |
| 54- 30 | PIN 10 x 78, rear wheel hub | 194200-34750 | | | 2 | | | | | |
| 54- 31 | SNAP PIN 10 | 22360-100000 | | | 2 | 10 | | | | |
| 54- 32 | BOLT, flange | 1A1040-36010 | | | 4 | | | | | |
| 54- 33 | SPRING, flange bolt | 1A1040-36040 | | | 4 | | | | | |
| 54- 34 | WASHER 16, plain | 22117-160000 | | | 4 | 10 | | | | |

Fig. 55 FRONT & REAR TIRES (U.S.A.) [YM135D]

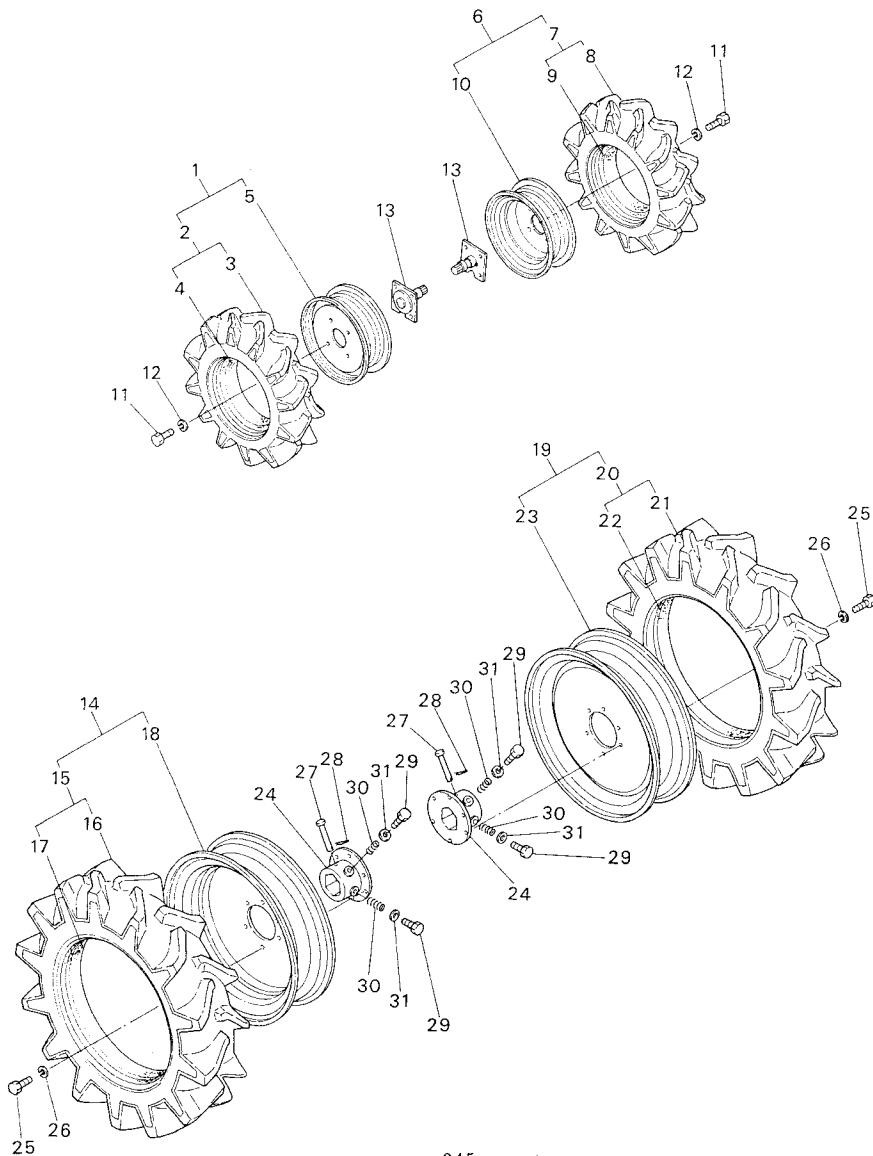


Fig. 55 FRONT & REAR TIRES (U.S.A.) [YM135D]

| Refer. No. | Description | Part No. | Qty/Unit | | | Sales Unit | Inter-changeability | Design-change Mark | Remarks |
|------------|-------------------------------|----------------|----------|--------|-------|------------|---------------------|-----------------------|---------|
| | | | YM155 | YM155D | YM135 | | | | |
| 55- 1 | TIRE ASS'Y (L), front wheel | 794210-12910-P | | | | 1 | | | |
| | TIRE ASS'Y (L), front wheel | 794341-12910-P | | | | 1 | N | | |
| 55- 2 | .TIRE ASS'Y 5-12, front wheel | 794210-12930 | | | | 2 | | | |
| | .TIRE ASS'Y 5-12, front wheel | 794341-12930 | | | | 2 | N | | |
| | .TIRE ASS'Y 5-12, front wheel | 194341-12930 | | | | 1 | N | | |
| 55- 3 | ..TIRE 5-12, front wheel | 1A1030-34200 | | | | 1 | | | |
| | ..TIRE 5-12, front wheel | 194341-12870 | | | | 1 | N | YM135D from No. 51614 | |
| 55- 4 | ..TUBE 5-12, tire | 1A1030-34250 | | | | 1 | | | |
| 55- 5 | .WHEEL 4JA-12, disc | 194210-12850-P | | | | 1 | | | |
| 55- 6 | TIRE ASS'Y (R), front wheel | 794210-12920-P | | | | 1 | | | |
| | TIRE ASS'Y (R), front wheel | 794341-12920-P | | | | 1 | N | | |
| 55- 7 | .TIRE ASS'Y 5-12, front wheel | 794210-12930 | | | | 2 | | | |
| | .TIRE ASS'Y 5-12, front wheel | 794341-12930 | | | | 2 | N | | |
| | .TIRE ASS'Y 5-12, front wheel | 194341-12930 | | | | 1 | N | | |
| 55- 8 | ..TIRE 5-12, front wheel | 1A1030-34200 | | | | 1 | | | |
| | ..TIRE 5-12, front wheel | 194341-12870 | | | | 1 | N | YM135D from No. 51614 | |
| 55- 9 | ..TUBE 5-12, tire | 1A1030-34250 | | | | 1 | | | |
| 55- 10 | .WHEEL 4JA-12, disc | 194210-12850-P | | | | 1 | | | |
| 55- 11 | BOLT M12 x 25 | 26116-120252 | | | | 8 | 10 | | |
| | BOLT M12 x 25 | 26013-120252 | | | | 8 | 10 | N | |
| 55- 12 | SPRING WASHER 12 | 22217-120000 | | | | 8 | 10 | Z | |
| 55- 13 | SHAFT, front axle | 194210-14350 | | | | 2 | | | |
| | SHAFT, front axle | 194341-14350 | | | | 2 | S | [4] | |

Fig. 55 FRONT & REAR TIRES (U.S.A.) [YM135D]

M E M O

| Refer. No. | Description | Part No. | Q'ty/Unit | | | Sales Unit | Inter-change ability | Design-change Mark | Remarks |
|------------|-----------------------------|----------------|-----------|--------|-------|------------|----------------------|--------------------|---------|
| | | | YM155 | YM155D | YM135 | | | | |
| 55- 14 | TIRE ASS'Y (L), rear wheel | 194390-34900 | | | | 1 | | | |
| | TIRE ASS'Y (L), rear wheel | 194390-34810 | | | | 1 | N | [1] | |
| 55- 15 | .TIRE ASS'Y, rear | 194390-34930 | | | | 1 | | | |
| 55- 16 | ..TIRE | 194390-34940 | | | | 1 | | | |
| 55- 17 | ..TUBE, tire | 194390-34950 | | | | 1 | | | |
| 55- 18 | .WHEEL, disc | 194200-34960-P | | | | 1 | | | |
| 55- 19 | TIRE ASS'Y (R), rear wheel | 194390-34950 | | | | 1 | | | |
| | TIRE ASS'Y (R), rear wheel | 194390-34820 | | | | 1 | N | [1] | |
| 55- 20 | .TIRE ASS'Y, rear | 194390-34930 | | | | 1 | | | |
| 55- 21 | ..TIRE | 194390-34940 | | | | 1 | | | |
| 55- 22 | ..TUBE, tire | 194390-34950 | | | | 1 | | | |
| 55- 23 | .WHEEL, disc | 194200-34960-P | | | | 1 | | | |
| 55- 24 | HUB, rear wheel | 194200-34711 | | | | 2 | | | |
| | HUB, rear wheel | 194202-34710 | | | | 2 | N | | |
| 55- 25 | BOLT M12 x 25 | 26116-120252 | | | | 12 | 10 | | |
| 55- 26 | SPRING WASHER 12 | 22217-120000 | | | | 12 | 10 | | |
| 55- 27 | PIN 10 x 78, rear wheel hub | 194200-34750 | | | | 2 | | | |
| 55- 28 | SNAP PIN 10 | 22360-100000 | | | | 2 | 10 | | |
| 55- 29 | BOLT, flange | 1A1040-36010 | | | | 4 | | | |
| 55- 30 | SPRING, flange bolt | 1A1040-36040 | | | | 4 | | | |
| 55- 31 | WASHER 16, plain | 22117-160000 | | | | 4 | 10 | | |

Fig. 56 FRONT & REAR TIRES (FRANCE) [YM135]

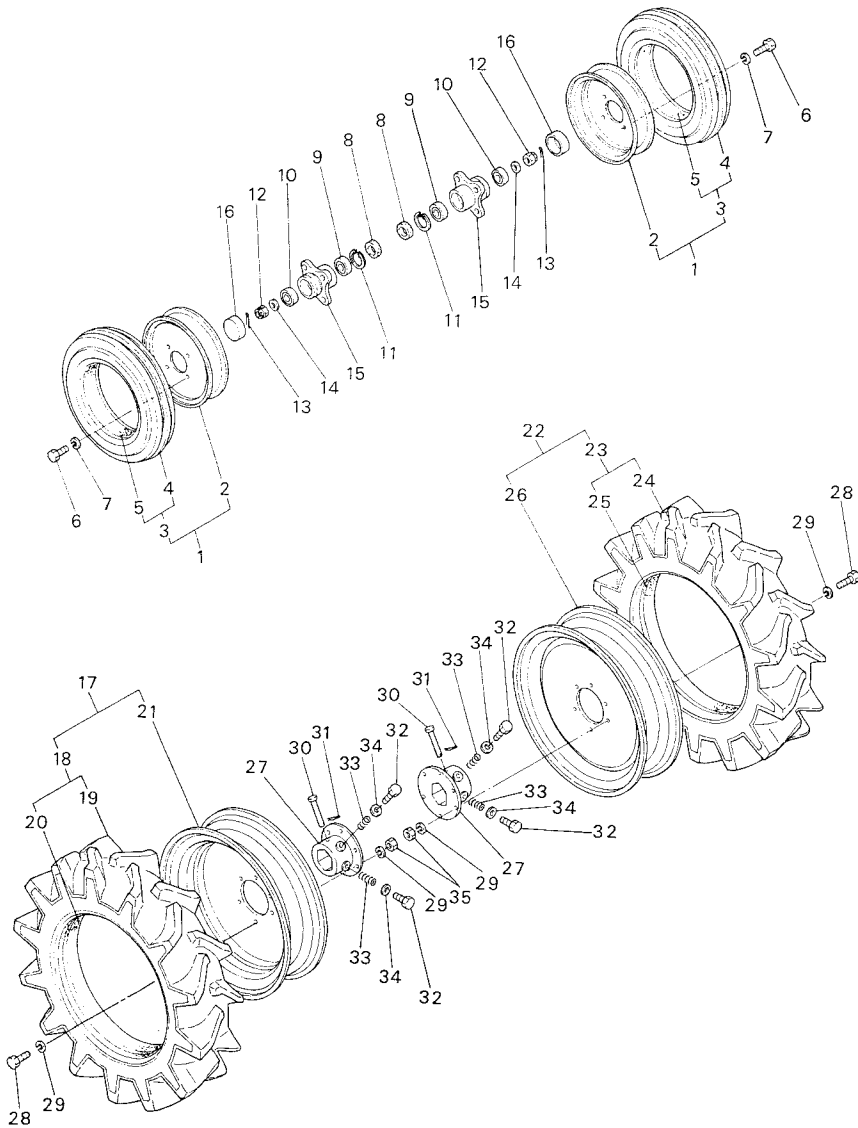


Fig. 56 FRONT & REAR TIRES (FRANCE) [YM135]

| Refer. No. | Description | Part No. | Qty/Unit | | | | Inter-changeability | Design-change Mark | Remarks |
|------------|----------------------------|----------------|----------|--------|-------|--------|---------------------|--------------------|---------|
| | | | YM135 | YM155D | YM135 | YM135D | | | |
| 56- 1 | TIRE ASS'Y, front wheel | 794200-11850-P | | | 2 | | | | |
| 56- 2 | .WHEEL 3.50B x 10GA, disc | 194200-11880-P | | | 2 | | | | |
| 56- 3 | .TIRE ASS'Y 4.50-10, front | 194200-11900 | | | 2 | | | | |
| 56- 4 | ..TIRE 4.50-10 | 194200-11910 | | | 2 | | | | |
| 56- 5 | ..TUBE, tire | 194200-11920 | | | 2 | | | | |
| 56- 6 | BOLT M12 x 25 | 26116-120252 | | | 8 | 10 | | | |
| | BOLT M12 x 25 | 26013-120252 | | | 8 | 10 | N | | |
| 56- 7 | SPRING WASHER 12 | 22217-120000 | | | 8 | 10 | Z | | |
| 56- 8 | OIL SEAL TC 35 52 11 | 194150-12720 | | | 2 | 10 | | | |
| 56- 9 | BALL BEARING 6205 | 24101-062054 | | | 2 | | | | |
| 56- 10 | BALL BEARING 6204 | 24101-062044 | | | 2 | | | | |
| 56- 11 | CIRCLIP 48-H | 22252-000480 | | | 2 | 10 | | | |
| | WASHER 42 x 51.8 x 1 | 194151-11670 | | | 2 | 10 | | Selective | |
| 56- 12 | CASTLE NUT M20 | 26837-200002 | | | 2 | 10 | | | |
| | CASTLE NUT M20 | 26877-200002 | | | 2 | 10 | N | | |
| 56- 13 | COTTER PIN 4 x 40 | 22417-400400 | | | 2 | 10 | | | |
| 56- 14 | WASHER 20, plain | 194151-12640 | | | 2 | | | | |
| 56- 15 | HUB, front wheel | 194200-11801-P | | | 2 | | | | |
| 56- 16 | COVER, front wheel hub. | 194151-12620-X | | | 2 | | | | |
| 56- 17 | TIRE ASS'Y (L), rear wheel | 194390-34900 | | | 1 | | | | |
| | TIRE ASS'Y (L), rear wheel | 194390-34810 | | | 1 | | N | [1] | |
| | TIRE ASS'Y (L), rear wheel | 794390-34810 | | | 1 | | N | | |
| 56- 18 | .TIRE ASS'Y, rear | 194390-34930 | | | 1 | | | | |
| 56- 19 | ..TIRE | 194390-34940 | | | 1 | | | | |
| 56- 20 | ..TUBE, tire | 194390-34950 | | | 1 | | | | |
| 56- 21 | .WHEEL, disc | 194200-34960-P | | | 1 | | | | |

Fig. 56 FRONT & REAR TIRES (FRANCE) [YM135]

| Refer. No. | Description | Part No. | Q'ty/Unit | | | | Sales Unit | Inter-change ability | Design-change Mark | Remarks |
|------------|-----------------------------|----------------|-----------|--------|-------|--------|------------|----------------------|--------------------|---------|
| | | | YM135 | YM135D | YM135 | YM135D | | | | |
| 56- 22 | TIRE ASS'Y (R), rear wheel | 194390-34950 | | | 1 | | | | | |
| | TIRE ASS'Y (R), rear wheel | 194390-34820 | | | 1 | | N | [1] | | |
| | TIRE ASS'Y (R), rear wheel | 794390-34820 | | | 1 | | N | | | |
| 56- 23 | .TIRE ASS'Y, rear | 194390-34930 | | | 1 | | | | | |
| 56- 24 | ..TIRE | 194390-34940 | | | 1 | | | | | |
| 56- 25 | ..TUBE, tire | 194390-34950 | | | 1 | | | | | |
| 56- 26 | .WHEEL, disc | 194200-34960-P | | | 1 | | | | | |
| 56- 27 | HUB, rear wheel | 194200-34711 | | | 2 | | | | | |
| | HUB, rear wheel | 194202-34710 | | | 2 | | N | | | |
| 56- 28 | BOLT M12 x 25 | 26116-120252 | | | 12 | 10 | | | | |
| | BOLT M12 x 25 | 26013-120252 | | | 12 | 10 | N | | | |
| 56- 29 | SPRING WASHER 12 | 22217-120000 | | | 12 | 10 | Z | | | |
| 56- 30 | PIN 10 x 78, rear wheel hub | 194200-34750 | | | 2 | | | | | |
| 56- 31 | SNAP PIN 10 | 22360-100000 | | | 2 | 10 | | | | |
| 56- 32 | BOLT, flange | 1A1040-36010 | | | 4 | | | | | |
| 56- 33 | SPRING, flange bolt | 1A1040-36040 | | | 4 | | | | | |
| 56- 34 | WASHER 16, plain | 22117-160000 | | | 4 | 10 | | | | |
| 56- 35 | NUT M10 | 26716-100002 | | | 12 | 10 | | | | |

Fig. 57 FRONT & REAR TIRES (FRANCE) [YM135D]

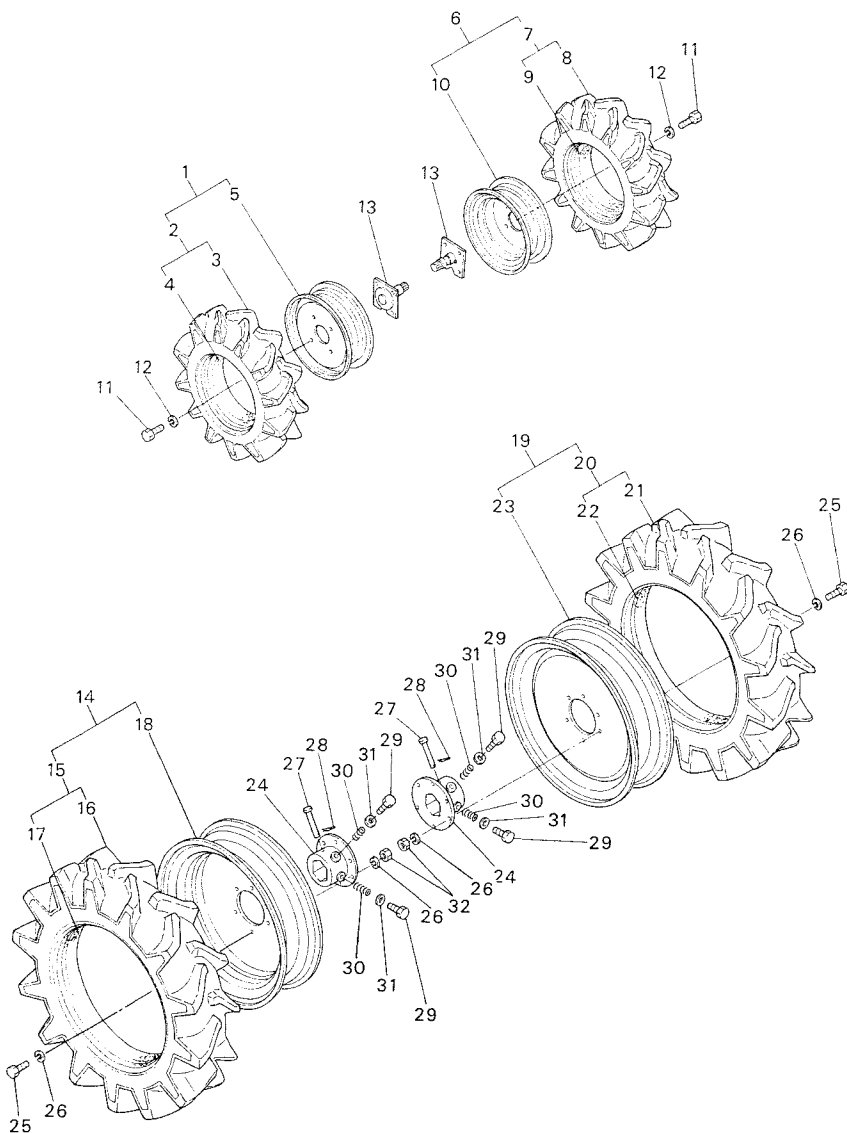


Fig. 57 FRONT & REAR TIRES (FRANCE) [YM135D]

| Refer. No. | Description | Part No. | Qty/Unit | | | Sales Unit | Inter-changeability | Design-change Mark | Remarks |
|------------|-------------------------------|----------------|----------|--------|-------|------------|---------------------|--------------------|-----------------------|
| | | | YM135 | YM135D | YM135 | | | | |
| 57- 1 | TIRE ASS'Y (L), front wheel | 794210-12910 | | | | 1 | | | |
| | TIRE ASS'Y (L), front wheel | 794341-12910-P | | | | 1 | N | | |
| 57- 2 | .TIRE ASS'Y 5-12, front wheel | 794210-12930 | | | | 2 | | | |
| | .TIRE ASS'Y 5-12, front wheel | 794341-12930 | | | | 2 | N | | |
| | .TIRE ASS'Y 5-12, front wheel | 194341-12930 | | | | 1 | N | | |
| 57- 3 | ..TIRE 5-12, front wheel | 1A1030-34200 | | | | 1 | | | |
| | ..TIRE 5-12, front wheel | 194341-12870 | | | | 1 | N | | YM135D from No. 51614 |
| 57- 4 | ..TUBE 5-12, tire | 1A1030-34250 | | | | 1 | | | |
| 57- 5 | .WHEEL 4JA-12, disc | 194210-12850-P | | | | 1 | | | |
| 57- 6 | TIRE ASS'Y (R), front wheel | 794210-12920 | | | | 1 | | | |
| | TIRE ASS'Y (R), front wheel | 794341-12920-P | | | | 1 | N | | |
| 57- 7 | .TIRE ASS'Y 5-12, front wheel | 794210-12930 | | | | 2 | | | |
| | .TIRE ASS'Y 5-12, front wheel | 794341-12930 | | | | 2 | N | | |
| | .TIRE ASS'Y 5-12, front wheel | 194341-12930 | | | | 1 | N | | |
| 57- 8 | ..TIRE 5-12, front wheel | 1A1030-34200 | | | | 1 | | | |
| | ..TIRE 5-12, front wheel | 194341-12870 | | | | 1 | N | | YM135D from No. 51614 |
| 57- 9 | ..TUBE 5-12, tire | 1A1030-34250 | | | | 1 | | | |
| 57- 10 | .WHEEL 4JA-12, disc | 194210-12850-P | | | | 1 | | | |
| 57- 11 | BOLT M12 x 25 | 26116-120252 | | | | 8 | 10 | | |
| | BOLT M12 x 25 | 26013-120252 | | | | 8 | 10 | N | |
| 57- 12 | SPRING WASHER 12 | 22217-120000 | | | | 8 | 10 | Z | |
| 57- 13 | SHAFT, front axle | 194210-14350 | | | | 2 | | | |
| | SHAFT, front axle | 194341-14350 | | | | 2 | S | [4] | |

Fig. 57 FRONT & REAR TIRES (FRANCE) [YM135D]

| Refer. No. | Description | Part No. | Q'ty/Unit | | | | Sales Unit | Inter-change ability | Design-change Mark | Remarks |
|------------|-----------------------------|----------------|-----------|--------|-------|--------|------------|----------------------|--------------------|---------|
| | | | YM155 | YM159D | YM135 | YM135D | | | | |
| 57- 14 | TIRE ASS'Y (L), rear wheel | 194390-34900 | | | | 1 | | | | |
| | TIRE ASS'Y (L), rear wheel | 194390-34810 | | | | 1 | N | [1] | | |
| | TIRE ASS'Y (L), rear wheel | 794390-34810 | | | | 1 | N | | | |
| 57- 15 | .TIRE ASS'Y, rear | 194390-34930 | | | | 1 | | | | |
| 57- 16 | ..TIRE | 194390-34940 | | | | 1 | | | | |
| 57- 17 | ..TUBE, tire | 194390-34950 | | | | 1 | | | | |
| 57- 18 | .WHEEL, disc | 194200-34960-P | | | | 1 | | | | |
| 57- 19 | TIRE ASS'Y (R), rear wheel | 194390-34950 | | | | 1 | | | | |
| | TIRE ASS'Y (R), rear wheel | 194390-34820 | | | | 1 | N | [1] | | |
| | TIRE ASS'Y (R), rear wheel | 794390-34820 | | | | 1 | N | | | |
| 57- 20 | .TIRE ASS'Y, rear | 194390-34930 | | | | 1 | | | | |
| 57- 21 | ..TIRE | 194390-34940 | | | | 1 | | | | |
| 57- 22 | ..TUBE, tire | 194390-34950 | | | | 1 | | | | |
| 57- 23 | .WHEEL, disc | 194200-34960-P | | | | 1 | | | | |
| 57- 24 | HUB, rear wheel | 194200-34711 | | | | 2 | | | | |
| | HUB, rear wheel | 194202-34710 | | | | 2 | N | | | |
| 57- 25 | BOLT M12 x 35 | 26116-120352 | | | | 12 | 10 | | | |
| | BOLT M12 x 35 | 26013-120352 | | | | 12 | 10 | N | | |
| 57- 26 | SPRING WASHER 12 | 22217-120000 | | | | 12 | 10 | Z | | |
| 57- 27 | PIN 10 x 78, rear wheel hub | 194200-34750 | | | | 2 | | | | |
| 57- 28 | SNAP PIN 10 | 22360-100000 | | | | 2 | 10 | | | |
| 57- 29 | BOLT, flange | 1A1040-36010 | | | | 4 | | | | |
| 57- 30 | SPRING, flange bolt | 1A1040-36040 | | | | 4 | | | | |
| 57- 31 | WASHER 16, plain | 22117-160000 | | | | 4 | 10 | | | |
| 57- 32 | NUT M10 | 26716-100002 | | | | 12 | 10 | | | |

Fig. 58 HYDRAULIC LIFT

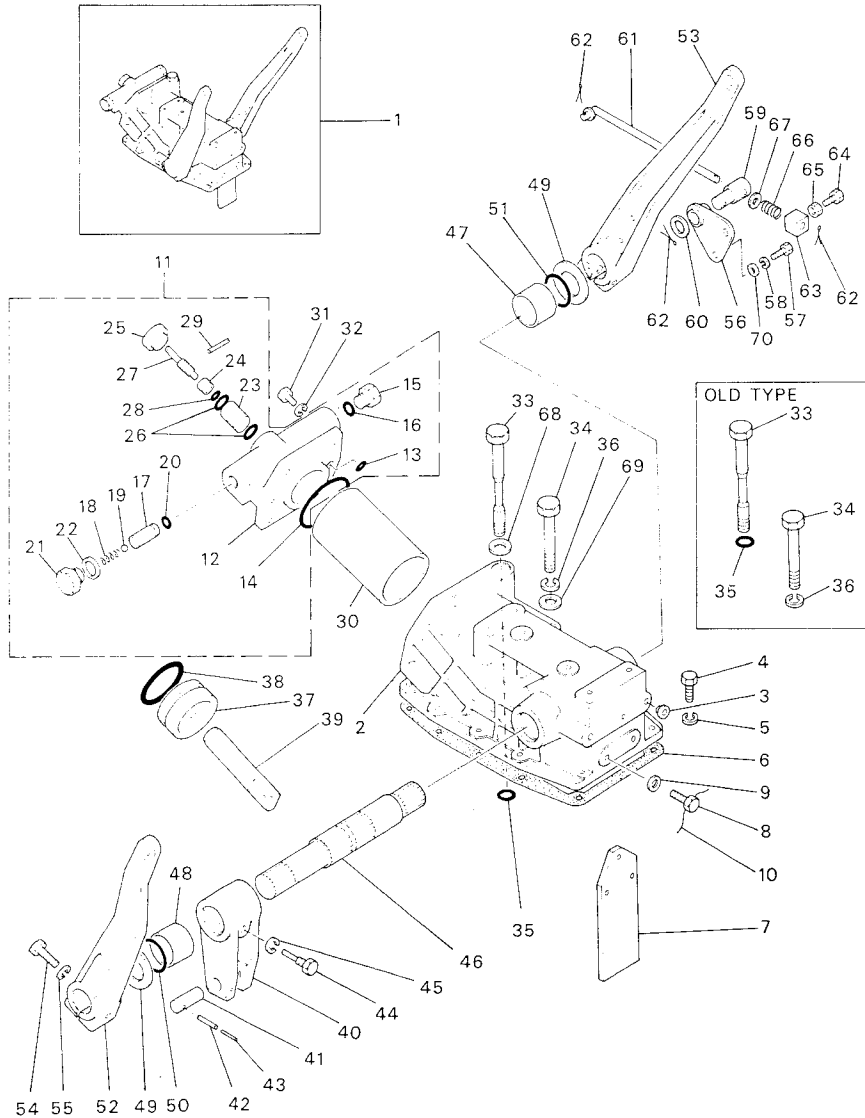


Fig. 58 HYDRAULIC LIFT

| Refer. No. | Description | Part No. | Q'ty/Unit | | | | Inter-changeability | Design-change Mark | Remarks |
|------------|-----------------------------|----------------|-----------|-------|-------|-------|---------------------|--------------------|--|
| | | | YMI55 | YMI5D | YMI35 | YMI3D | | | |
| 58- 1 | LIFT ASS'Y, hydraulic | 794200-42000-X | 1 | 1 | 1 | 1 | | | |
| 58- 2 | HOUSING, hydraulic cylinder | 194200-42101-X | 1 | 1 | 1 | 1 | | | |
| | HOUSING, hydraulic cylinder | 194200-42102-X | 1 | 1 | 1 | 1 | F | [2] | Interchangeable by set with 58-33, 68, 69. do. |
| | HOUSING, hydraulic cylinder | 194200-42102-X | 1 | 1 | 1 | 1 | F | [3] | |
| 58- 3 | PLUG 11 | 194150-21910 | 2 | 2 | 2 | 2 | | | |
| 58- 4 | BOLT M10 x 35 | 26116-100352 | 10 | 10 | 10 | 10 | | | |
| | BOLT M10 x 35 | 26013-100352 | 10 | 10 | 10 | 10 | | N | |
| 58- 5 | SPRING WASHER 10 | 22217-100000 | 10 | 10 | 10 | 10 | | Z | |
| 58- 6 | PACKING, cylinder case | 194200-42150 | 1 | 1 | 1 | 1 | | | |
| 58- 7 | PROTECTOR, cylinder case | 194200-42171 | 1 | 1 | 1 | 1 | | | |
| 58- 8 | BOLT M8 x 22 | 26116-080226 | 3 | 3 | 3 | 3 | | 10 | |
| | BOLT M8 x 22 | 26206-080226 | 3 | 3 | 3 | 3 | | N | |
| 58- 9 | PACKING 8, copper | 23414-080000 | 3 | 3 | 3 | 3 | | 10 | |
| 58- 10 | WIRE 0.6 x 220 | 194200-42180 | 1 | 1 | 1 | 1 | | 10 | |
| 58- 11 | HEAD ASS'Y, cylinder | 794200-43100-X | 1 | 1 | 1 | 1 | | | |
| | HEAD ASS'Y, cylinder | 794200-43080 | 1 | 1 | 1 | 1 | | N | |
| 58- 12 | HEAD, cylinder | 194200-43121 | 1 | 1 | 1 | 1 | | | |
| 58- 13 | O-RING 14-P | 24311-000140 | 1 | 1 | 1 | 1 | | 10 | |
| 58- 14 | O-RING 63-S | 194200-43140 | 1 | 1 | 1 | 1 | | | |
| 58- 15 | PLUG 18 | 194200-43161-X | 1 | 1 | 1 | 1 | | | |
| 58- 16 | O-RING 15-P | 24311-000150 | 1 | 1 | 1 | 1 | | 10 | |
| 58- 17 | VALVE SEAT, safety | 194200-46410 | 1 | 1 | 1 | 1 | | | |
| 58- 18 | SPRING, safety valve | 194200-46420 | 1 | 1 | 1 | 1 | | | |
| 58- 19 | BALL 3/16 | 24190-060001 | 1 | 1 | 1 | 1 | | 10 | |
| | BALL 3/16 | 24190-060003 | 1 | 1 | 1 | 1 | | N | |
| 58- 20 | O-RING 9-P | 24311-000090 | 1 | 1 | 1 | 1 | | 10 | |
| 58- 21 | PLUG 16, safety valve | 194200-46450-X | 1 | 1 | 1 | 1 | | | |
| 58- 22 | PACKING 16, copper | 23414-160000 | 1 | 1 | 1 | 1 | | 10 | |
| 58- 23 | VALVE SEAT, stop | 194200-46520 | 1 | 1 | 1 | 1 | | | |
| 58- 24 | VALVE (A), stop | 194200-46531 | 1 | 1 | 1 | 1 | | | |

Fig. 58 HYDRAULIC LIFT

| Refer. No. | Description | Part No. | Qty/Unit | | | | Sales Unit | Inter-change ability | Design-change Mark | Remarks |
|------------|------------------------|----------------|----------|--------|-------|--------|------------|----------------------|--------------------|---------|
| | | | YMI55 | YMI55D | YMI35 | YMI35D | | | | |
| 58- 25 | .GUIDE, stop valve | 194200-46540-X | 1 | 1 | 1 | 1 | | | | |
| 58- 26 | .O-RING 16-S | 194200-46550 | 2 | 2 | 2 | 2 | 10 | | | |
| 58- 27 | .VALVE (B), stop | 194200-46560-X | 1 | 1 | 1 | 1 | | | | |
| 58- 28 | .O-RING 9-P | 24311-000090 | 1 | 1 | 1 | 1 | 10 | | | |
| 58- 29 | .SPRING PIN 5 x 50 | 22351-050050 | 1 | 1 | 1 | 1 | 10 | | | |
| 58- 30 | PIPE, cylinder | 194200-43110 | 1 | 1 | 1 | 1 | | | | |
| 58- 31 | BOLT M12 x 35 | 26116-120352 | 4 | 4 | 4 | 4 | 10 | | | |
| | BOLT M12 x 35 | 26013-120352 | 4 | 4 | 4 | 4 | 10 | N | | |
| 58- 32 | SPRING WASHER 12 | 22217-120000 | 4 | 4 | 4 | 4 | 10 | Z | | |
| 58- 33 | SETBOLT, control valve | 194200-43210 | 1 | 1 | 1 | 1 | | | | |
| | SETBOLT, control valve | 194200-43211 | | | 1 | | | N | [2] | |
| | SETBOLT, control valve | 194200-43211 | 1 | 1 | 1 | | | N | [3] | |
| 58- 34 | SETBOLT, control valve | 194200-43220 | 1 | 1 | 1 | 1 | | | | |
| 58- 35 | O-RING 14-P | 24311-000140 | 2 | 2 | 2 | 2 | 10 | | | |
| | O-RING 14-P | 24311-000140 | | | 1 | | 10 | K | [2] | |
| | O-RING 14-P | 24311-000140 | 1 | 1 | 1 | | 10 | K | [3] | |
| 58- 36 | SPRING WASHER 12 | 22217-120000 | 1 | 1 | 1 | 1 | 10 | | | |
| 58- 37 | PISTON, hydraulic | 194200-43300 | 1 | 1 | 1 | 1 | 10 | | | |
| 58- 38 | O-RING P50A | 24311-570500 | 1 | 1 | 1 | 1 | 10 | | | |
| 58- 39 | ROD, hydraulic piston | 194200-43411 | 1 | 1 | 1 | 1 | | | | |
| 58- 40 | CRANK, lift | 194200-44111 | 1 | 1 | 1 | 1 | | | | |
| 58- 41 | PIN, lift crank | 194200-44151 | 1 | 1 | 1 | 1 | | | | |
| 58- 42 | SPRING PIN 5 x 28 | 22351-050028 | 1 | 1 | 1 | 1 | 10 | | | |
| 58- 43 | SPRING PIN 3 x 28 | 22351-030028 | 1 | 1 | 1 | 1 | 10 | | | |
| 58- 44 | SETBOLT, lift crank | 194200-44170 | 1 | 1 | 1 | 1 | | | | |
| 58- 45 | SPRING WASHER 8 | 22217-080000 | 1 | 1 | 1 | 1 | 10 | | | |
| 58- 46 | SHAFT, lift | 194200-44210 | 1 | 1 | 1 | 1 | | | | |
| 58- 47 | BUSH 35 x 30, rod | 194200-44250 | 1 | 1 | 1 | 1 | | | | |
| 58- 48 | BUSH 30 x 30, rod | 194200-44260 | 1 | 1 | 1 | 1 | | | | |

Fig. 58 HYDRAULIC LIFT

| Refer. No. | Description | Part No. | Qty/Unit | | | | Sales Unit | Inter-change ability | Design-change Mark | Remarks |
|------------|--------------------------|----------------|----------|--------|-------|--------|------------|----------------------|--------------------|---------|
| | | | YMI55 | YMI55D | YMI35 | YMI35D | | | | |
| 58- 49 | LINER 30.5 x 45 x 1 | 194200-44280 | 2 | 2 | 2 | 2 | | | | |
| 58- 50 | O-RING 30-P | 24311-000300 | 1 | 1 | 1 | 1 | 10 | | | |
| 58- 51 | O-RING 35-P | 24311-000350 | 1 | 1 | 1 | 1 | 10 | | | |
| 58- 52 | ARM (L), lift | 194200-44411-X | 1 | 1 | 1 | 1 | | | | |
| | ARM (L), lift | 194340-44410-X | 1 | 1 | 1 | 1 | | F | [4] | |
| 58- 53 | ARM (R), lift | 194200-44421-X | 1 | 1 | 1 | 1 | | | | |
| | ARM (R), lift | 194340-44420-X | 1 | 1 | 1 | 1 | | F | [4] | |
| 58- 54 | BOLT M10 x 45 | 26116-100452 | 2 | 2 | 2 | 2 | 10 | | | |
| | BOLT M10 x 45 | 26013-100452 | 2 | 2 | 2 | 2 | 10 | N | | |
| 58- 55 | SPRING WASHER 10 | 22217-100000 | 2 | 2 | 2 | 2 | 10 | Z | | |
| 58- 56 | SUPPORT, auto-return rod | 194200-47510 | 1 | 1 | 1 | 1 | | | | |
| 58- 57 | BOLT M8 x 20 | 26116-080202 | 2 | 2 | 2 | 2 | 10 | | | |
| | BOLT M8 x 20 | 26013-080202 | 2 | 2 | 2 | 2 | 10 | N | | |
| 58- 58 | SPRING WASHER 8 | 22217-080000 | 2 | 2 | 2 | 2 | 10 | Z | | |
| 58- 59 | PIN, auto-return support | 194200-47550 | 1 | 1 | 1 | 1 | | | | |
| 58- 60 | WASHER 12, plain | 22137-120000 | 1 | 1 | 1 | 1 | 10 | | | |
| 58- 61 | ROD, auto-return | 194200-47610 | 1 | 1 | 1 | 1 | | | | |
| 58- 62 | COTTER PIN 3 x 20 | 22417-300200 | 3 | 3 | 3 | 3 | 10 | | | |
| 58- 63 | STOPPER, auto-return | 194200-47620 | 2 | 2 | 2 | 2 | | | | |
| 58- 64 | BOLT M6 x 18 | 26116-060182 | 2 | 2 | 2 | 2 | 10 | | | |
| 58- 65 | NUT M6 | 26716-060002 | 2 | 2 | 2 | 2 | 10 | | | |
| 58- 66 | SPRING, lock pin | 1A1040-46890 | 1 | 1 | 1 | 1 | | | | |
| 58- 67 | WASHER 8, plain | 22117-080000 | 1 | 1 | 1 | 1 | 10 | | | |
| 58- 68 | SEAL WASHER | 194200-43230 | | | | 1 | | W | [2] | |
| | SEAL WASHER | 194200-43230 | 1 | 1 | 1 | | | W | [3] | |
| 58- 69 | WASHER 12, plain | 22137-120000 | | | | 1 | 10 | W | [2] | |
| | WASHER 12, plain | 22137-120000 | 1 | 1 | 1 | | 10 | W | [3] | |
| | WASHER 12, plain | 22117-120000 | 1 | 1 | 1 | 1 | 10 | N | | |
| 58- 70 | WASHER 8, plain | 22137-080000 | 1 | 1 | 1 | 1 | 10 | W | | |

Fig. 59 HYDRAULIC CONTROL VALVE

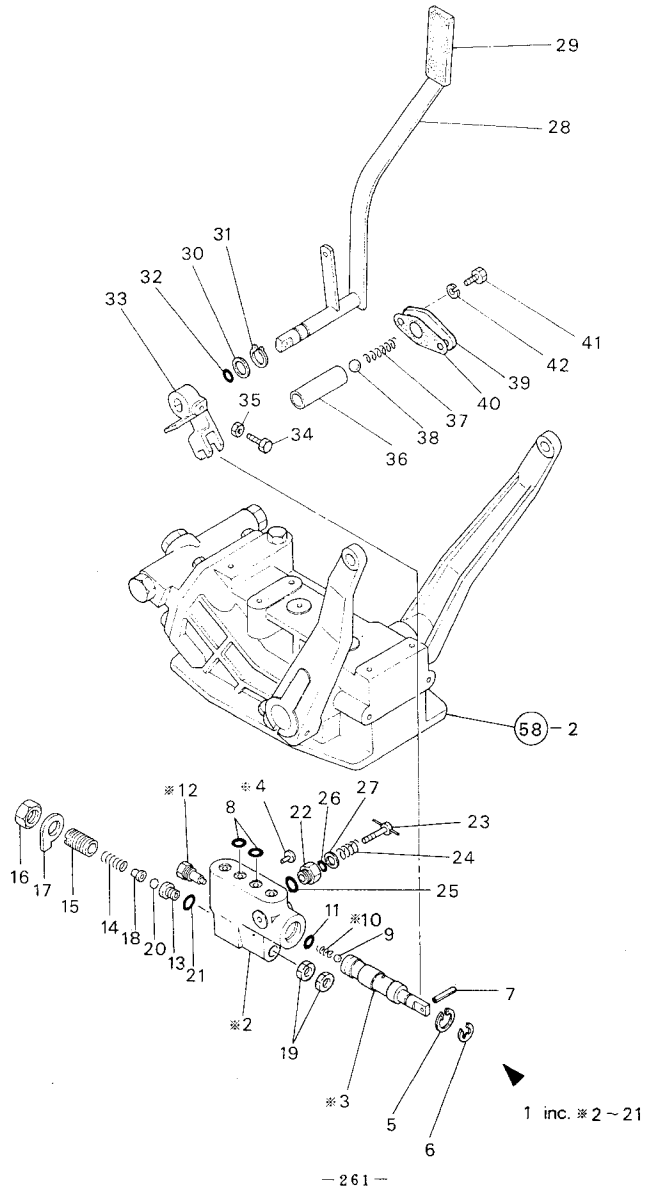


Fig. 59 HYDRAULIC CONTROL VALVE

| Refer. No. | Description | Part No. | Q'ty/Unit | | | | Sales Unit | Interchangeability | Design Change Mark | Remarks |
|------------|------------------------------|--------------|-----------|--------|-------|--------|------------|--------------------|-------------------------------------|---------|
| | | | YM155 | YM155D | YM135 | YM135D | | | | |
| 59- 1 | VALVE ASS'Y, control | 794200-45100 | 1 | 1 | 1 | 1 | | | | |
| 59- 2 | .BODY w/SPOOL, control valve | * | 1 | 1 | 1 | 1 | | | Not Sold Separately. (194200-45130) | |
| 59- 3 | .SPOOL | * | 1 | 1 | 1 | 1 | | | Not Sold Separately. (194200-45140) | |
| 59- 4 | .ADJUSTER | * | 1 | 1 | 1 | 1 | | | Not Sold Separately. (194200-45150) | |
| 59- 5 | .RING, stop | 194200-45200 | 1 | 1 | 1 | 1 | | | | |
| 59- 6 | .CIRCLIP 9, E-shape | 22272-00090 | 1 | 1 | 1 | 1 | 10 | | | |
| 59- 7 | .SPRING PIN 6 x 25 | 22351-06025 | 1 | 1 | 1 | 1 | 10 | | | |
| 59- 8 | .O-RING 14-P | 24311-000140 | 2 | 2 | 2 | 2 | 10 | | | |
| 59- 9 | .BALL 5/16 | 24190-100002 | 1 | 1 | 1 | 1 | 10 | | | |
| 59- 10 | .SPRING | * | 1 | 1 | 1 | 1 | | | Not Sold Separately. (194200-45260) | |
| 59- 11 | .O-RING P10A | 24311-240100 | 1 | 1 | 1 | 1 | 10 | | | |
| 59- 12 | .PLUG | * | 1 | 1 | 1 | 1 | | | Not Sold Separately. (194200-45270) | |
| 59- 13 | .SEAT, valve | 194200-45160 | 1 | 1 | 1 | 1 | | W | | |
| 59- 14 | .SPRING | 194200-45170 | 1 | 1 | 1 | 1 | | W | | |
| 59- 15 | .ADJUSTER | 194200-45180 | 1 | 1 | 1 | 1 | | W | | |
| 59- 16 | .NUT | 194200-45190 | 1 | 1 | 1 | 1 | | W | | |
| 59- 17 | .PLATE, lock | 194200-45210 | 1 | 1 | 1 | 1 | | W | | |
| 59- 18 | .HOLDER, spring | 194200-45240 | 1 | 1 | 1 | 1 | | W | | |
| 59- 19 | .LOCK NUT | 194200-45250 | 2 | 2 | 2 | 2 | | W | | |
| 59- 20 | .BALL 3/8 | 24190-120002 | 1 | 1 | 1 | 1 | | W | | |
| 59- 21 | .O-RING 8-P | 24311-000080 | 1 | 1 | 1 | 1 | | W | | |
| 59- 22 | PLUG 16, slow return | 194200-46100 | 1 | 1 | 1 | 1 | | | | |
| 59- 23 | BOLT, slow return adjusting | 194200-46121 | 1 | 1 | 1 | 1 | | | | |
| 59- 24 | SPRING, slow return bolt | 194200-46130 | 1 | 1 | 1 | 1 | | | | |

Fig. 59 HYDRAULIC CONTROL VALVE

| Refer. No. | Description | Part No. | Qty/Unit | | | | Sales Unit | Inter-change ability | Design-change Mark | Remarks |
|------------|----------------------------|-----------------------------------|----------|--------|-------|--------|------------|----------------------|--------------------|---------|
| | | | YM155 | YM155D | YM135 | YM135D | | | | |
| 59- 25 | O-RING 12.5-S | 194200-46150 | 1 | 1 | 1 | 1 | 10 | | | |
| | O-RING 12.5-P | 24311-000125 | 1 | 1 | 1 | 1 | 10 | N | | |
| 59- 26 | O-RING 8-P | 24311-000080 | 1 | 1 | 1 | 1 | 10 | | | |
| 59- 27 | WASHER 8, plain | 22137-080000 | 1 | 1 | 1 | 1 | 10 | | | |
| 59- 28 | LEVER, hydraulic control | 194200-47112-X | 1 | 1 | 1 | 1 | | | | |
| 59- 29 | GRIP, control lever | 194150- 57621 47621 | 1 | 1 | 1 | 1 | | | Misprint | |
| 59- 30 | LINER, control lever | 194200-47180 | 1 | 1 | 1 | 1 | | | | |
| 59- 31 | CIRCLIP 14-S | 22242-000140 | 1 | 1 | 1 | 1 | 10 | | | |
| 59- 32 | O-RING S12 | 194200-47190 | 1 | 1 | 1 | 1 | 10 | | | |
| 59- 33 | FORK, hydraulic control | 194200-47210 | 1 | 1 | 1 | 1 | | | | |
| 59- 34 | SETBOLT M6 x 30 | 194200-47220 | 1 | 1 | 1 | 1 | | | | |
| 59- 35 | NUT M6 | 26716-060002 | 1 | 1 | 1 | 1 | 10 | | | |
| 59- 36 | SUPPORT, lock spring | 194200-47310 | 1 | 1 | 1 | 1 | | | | |
| 59- 37 | SPRING, lock | 194200-47330 | 1 | 1 | 1 | 1 | | | | |
| 59- 38 | BALL 13/32 | 24190-130001 | 1 | 1 | 1 | 1 | 10 | | | |
| 59- 39 | COVER, lock spring | 194200-47350-X | 1 | 1 | 1 | 1 | | | | |
| 59- 40 | PACKING, lock spring cover | 194200-47360 | 1 | 1 | 1 | 1 | 10 | | | |
| 59- 41 | BOLT M8 x 20 | 26116-080202 | 2 | 2 | 2 | 2 | 10 | | | |
| | BOLT M8 x 20 | 26013-080202 | 2 | 2 | 2 | 2 | 10 | N | | |
| 59- 42 | SPRING WASHER 8 | 22217-080000 | 2 | 2 | 2 | 2 | 10 | Z | | |

Fig. 60 HYDRULIC PIPING

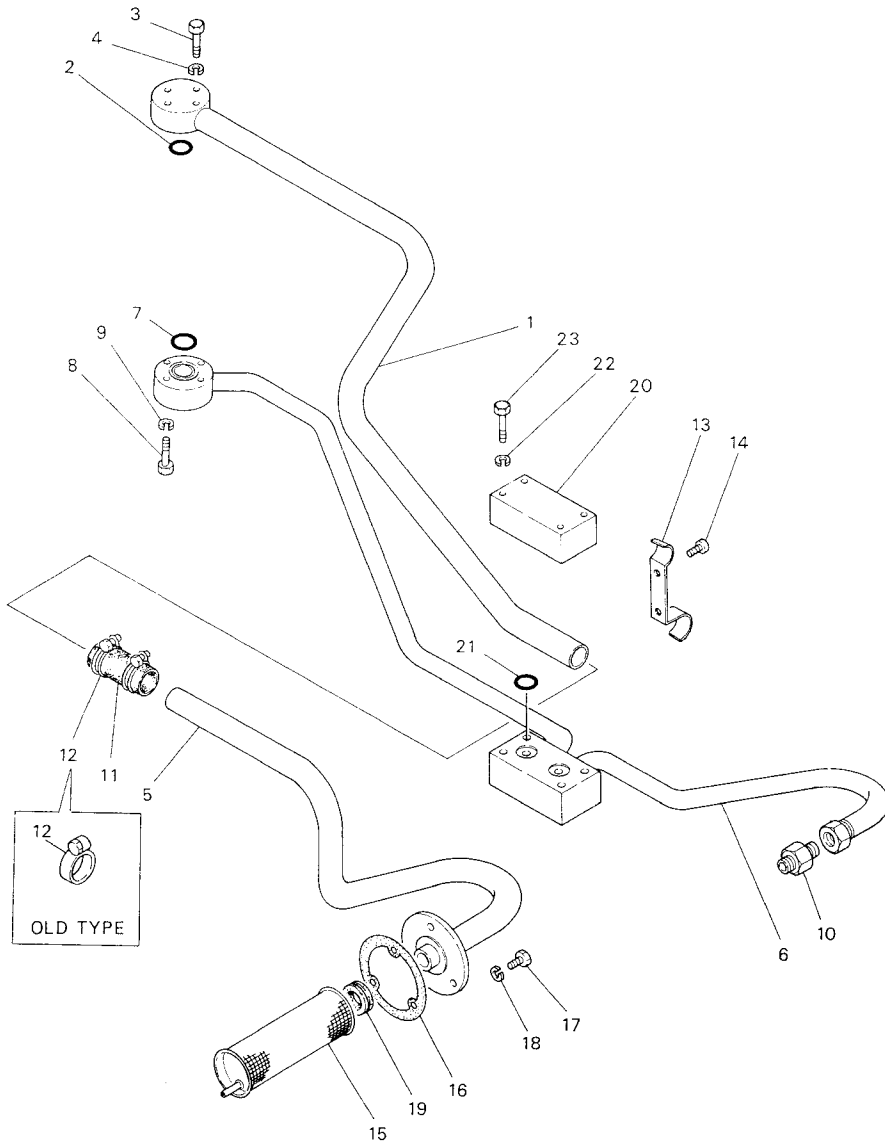
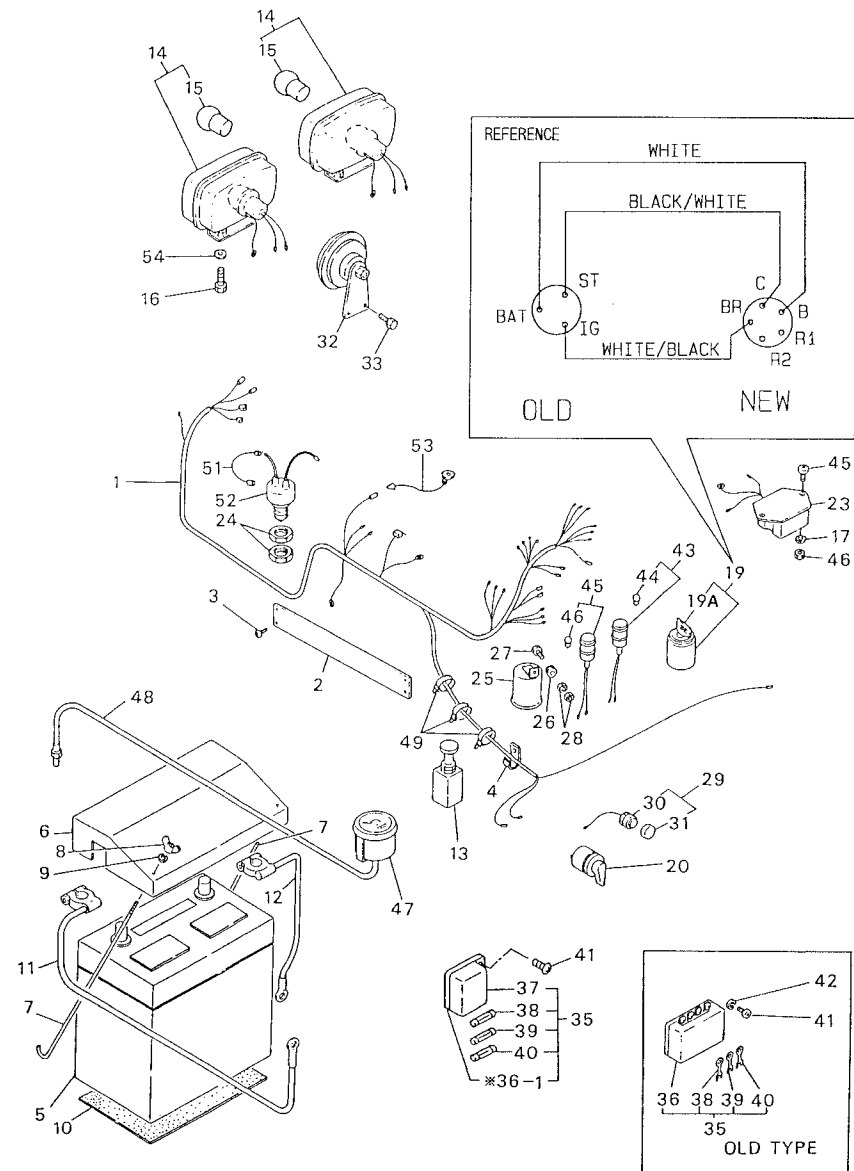


Fig. 60 HYDRULIC PIPING

| Refer. No. | Description | Part No. | Qty/Unit | | | | Sales Unit | Inter-changeability | Design-change Mark | Remarks |
|------------|-------------------------------------|-------------------------|--------------|--------------|--------------|--------------|------------|---------------------|------------------------------------|---------|
| | | | YM35D | YM35 | YM35D | YM35D | | | | |
| 60- 1 | PIPE (A), low-pressure | 194200-48110-X | 1 | 1 | 1 | 1 | | | | |
| 60- 2 | O-RING 20-P | 24311-000200 | 1 | 1 | 1 | 10 | | | | |
| 60- 3 | BOLT M6 x 45 | 26116-060452 | 3 | 3 | 3 | 10 | | | | |
| | BOLT M6 x 45 | 26013-060452 | 3 | 3 | 3 | 10 | N | | | |
| 60- 4 | SPRING WASHER 6 | 22217-060000 | 3 | 3 | 3 | 10 | Z | | | |
| 60- 5 | PIPE (B), low-pressure | 194262-48120-X | 1 | 1 | 1 | 1 | | | | |
| 60- 6 | PIPE, high-pressure | 194340-48210-X | 1 | 1 | 1 | 1 | | | | |
| | PIPE, high-pressure | 194340-48211-X | 1 | 1 | 1 | 1 | F | [3] | Interchangeable by set with 60-21. | |
| 60- 7 | O-RING 20-P | 24311-000200 | 1 | 1 | 1 | 10 | | | | |
| 60- 8 | BOLT M6 x 45 | 26116-060452 | 4 | 4 | 4 | 10 | | | | |
| | BOLT M6 x 45 | 26013-060452 | 4 | 4 | 4 | 10 | N | | | |
| 60- 9 | SPRING WASHER 6 | 22217-060000 | 4 | 4 | 4 | 10 | Z | | | |
| 60- 10 | ADAPTER (A) | 194200-48570 | 1 | 1 | 1 | 1 | | | | |
| 60- 11 | RUBBER HOSE, low-pressure | 194150-48230 | 1 | 1 | 1 | 1 | | | | |
| 60- 12 | CLAMP | 194150-48700 | 2 | 2 | 2 | 2 | | | | |
| | CLAMP | 194200-48810 | 2 | 2 | 2 | 2 | N | [1] | | |
| | BAND, hose | 194151-48710 | 2 | 2 | 2 | 2 | N | | | |
| 60- 13 | CLAMP, pipe | 194200-48820 | 1 | 1 | 1 | 1 | | | | |
| 60- 14 | SCREW M4 x 10, tapping | 22857-400100 | 2 | 2 | 2 | 10 | | | | |
| 60- 15 | FILTER, oil | 194200-48911 | 1 | 1 | 1 | 1 | | | | |
| 60- 16 | PACKING, oil filter | 194200-48921 | 1 | 1 | 1 | 1 | | | | |
| 60- 17 | BOLT M6 x 18 | 26116-060182 | 3 | 3 | 3 | 10 | | | | |
| | BOLT M6 x 18 | 26013-060182 | 3 | 3 | 3 | 10 | N | | | |
| 60- 18 | SPRING WASHER 6 | 22217-060000 | 3 | 3 | 3 | 10 | Z | | | |
| 60- 19 | GROMMET 22 | 194200-48930 | 1 | 1 | 1 | 1 | | | | |
| 60- 20 | COVER, hydraulic adapter | 194340-48140 | 1 | 1 | 1 | 1 | | | Misprint | |
| | COVER, hydraulic adapter | 194240-48140 | 1 | 1 | 1 | 1 | | | | |
| 60- 21 | O-RING 14-P | 24311-000140 | 2 | 2 | 2 | 10 | | | | |
| | O-RING 20-P | 24311-000200 | 2 | 2 | 2 | 10 | S | [3] | | |
| 60- 22 | SPRING WASHER 8 | 22217-080000 | 4 | 4 | 4 | 10 | Z | | | |
| 60- 23 | BOLT M8 x 45 | 26116-080452 | 4 | 4 | 4 | 10 | | | | |
| | BOLT M8 x 45 | 26013-080452 | 4 | 4 | 4 | 10 | N | | | |

Fig. 61 ELECTRIC PARTS (U.S.A. & S.AFRICA) [YM155,YM155D]



*MARK PARTS: NOT SOLD SEPARATELY.

Fig. 61 ELECTRIC PARTS (U.S.A. & S.AFRICA) [YM155,YM155D]

| Refer. No. | Description | Part No. | Q'ty/Unit | | | | Inter-changeability | Design-change Mark | Remarks |
|------------|-----------------------------|--------------|-----------|--------|--------|--------|---------------------|--------------------|---------|
| | | | YM155 | YM155D | YM155E | YM155D | | | |
| 61- 1 | WIRE HARNESS, main | 194340-51101 | 1 | 1 | | | | | |
| | WIRE HARNESS, main | 194340-51102 | 1 | 1 | | | N | | |
| | WIRE HARNESS, main | 194340-51103 | 1 | 1 | | | N | | |
| 61- 2 | COVER, cable | 194200-55470 | 1 | 1 | | | | | |
| 61- 3 | SCREW 4 x 10, tapping | 22857-400100 | 4 | 4 | | 10 | | | |
| 61- 4 | CLAMP | 194200-56400 | 1 | 1 | | | | | |
| 61- 5 | BATTERY Y60-S4LP | 194200-51301 | 1 | 1 | | | | | |
| | BATTERY Y60-S4GL (DRY TYPE) | 194340-51300 | 1 | 1 | | | N | | |
| 61- 6 | COVER, battery | 194200-51351 | 1 | 1 | | | | | |
| 61- 7 | LOCK BOLT, battery | 194200-51400 | 2 | 2 | | | | | |
| 61- 8 | NUT M6, wing | 26337-060002 | 2 | 2 | | 10 | | | |
| | NUT M6, wing | 26637-060002 | 2 | 2 | | 10 | N | | |
| 61- 9 | SPRING WASHER 6 | 22217-060000 | 2 | 2 | | 10 | | | |
| 61- 10 | CUSHION, battery | 194200-51440 | 1 | 1 | | | | | |
| 61- 11 | CABLE, battery plus | 194200-51201 | 1 | 1 | | | | | |
| 61- 12 | CABLE, battery earth | 194200-51211 | 1 | 1 | | | | | |
| 61- 13 | SWITCH, lighting | 194130-52121 | 1 | 1 | | | | | |
| 61- 14 | LIGHT ASS'Y, head | 194262-53050 | 2 | 2 | | | | | |
| | LIGHT ASS'Y, head | 194262-53051 | 2 | 2 | | | N | | |
| 61- 15 | BULB 12V-25W | 194262-53080 | 2 | 2 | | | | | |
| 61- 16 | BOLT M 6 x 12 | 26097-060123 | 4 | 4 | | | | | |
| | BOLT M 6 x 12 | 26013-060123 | 4 | 4 | | | | | |
| | BOLT M 6 x 12 | 26013-060129 | 4 | 4 | | | | | |
| 61- 17 | WASHER 6, plain | 22117-060000 | 4 | 4 | | | | | |
| 61- 18 | TUBE 7 x130, vinyl | 23061-070130 | 2 | 2 | | | 2 | | |
| 61- 19 | SWITCH, starting | 794750-52050 | 1 | 1 | | | | 3-TERMINAL(OLD) | |
| | SWITCH, starting | 194155-52110 | 1 | 1 | | | N | 5-TERMINAL(NEW) | |
| 61- 20 | SWITCH, turn signal | 194080-52131 | 1 | 1 | | | | | |
| | SWITCH, turn signal | 194080-52132 | 1 | 1 | | | N | | |
| 19A | KEY | 194155-52190 | 1 | 1 | | | | | |
| | KEY | 194155-52160 | 1 | 1 | | | N | | |

(REFERENCE) DESCRIPTION FOR WIRING WHEN YOU REPLACE THE NEW SWITCH.
BR TO IG, C TO ST & BAT TO B TERMINAL. R1 & R2 TERMINAL ARE OPEN.

Fig. 61 ELECTRIC PARTS (U.S.A. & S.AFRICA) [YM155, YM155D]

| Refer. No. | Description | Part No. | Qty/Unit | | | | Inter-change ability | Design-change Mark | Remarks |
|------------|------------------------|--------------|----------|--------|-------|--------|----------------------|--------------------|--|
| | | | YM155 | YM155D | YM135 | YM135D | | | |
| 61- 21 | CABLE (L), turn signal | 194200-51130 | 1 | 1 | | | | Z | |
| 61- 22 | CABLE (R), turn signal | 194200-51180 | 1 | 1 | | | | Z | |
| 61- 23 | CURRENT LIMITER | 121450-77710 | 1 | 1 | | | | | |
| | CURRENT LIMITER | 124660-77710 | 1 | 1 | | | | N | |
| 61- 24 | NUT M22 | 194240-52210 | 2 | 2 | | 10 | | | |
| 61- 25 | RELAY, turn signal | 194080-57202 | 1 | 1 | | | | | |
| 61- 26 | GROMMET 6 | 194200-57210 | 1 | 1 | | 10 | | | |
| 61- 27 | BOLT M5 x 16 | 26116-050162 | 1 | 1 | | 10 | | | |
| 61- 28 | NUT M5 | 26716-050002 | 2 | 2 | | 10 | | | |
| 61- 29 | SWITCH ASS'Y, horn | 794200-52100 | 1 | 1 | | | | W | |
| 61- 30 | SWITCH, horn | 194150-52160 | 1 | 1 | | | | | |
| 61- 31 | CAP, horn switch | 194150-52170 | 1 | 1 | | | | | |
| 61- 32 | HORN | 194151-57100 | 1 | 1 | | | | | |
| 61- 33 | BOLT M6 x 12 | 26097-060123 | 2 | 2 | | 10 | | | |
| | BOLT M6 x 12 | 26013-060123 | 2 | 2 | | 10 | N | | |
| | BOLT M6 x 12 | 26013-060129 | 2 | 2 | | 10 | N | | |
| 61- 34 | CLAMP (B) | 194200-56410 | 1 | 1 | | | | Z | |
| 61- 35 | FUSE BOX ASS'Y | 794340-52200 | 1 | 1 | | | | | |
| | FUSE BOX ASS'Y | 794345-52400 | 1 | 1 | | | | N | |
| 61- 36 | .FUSE BOX | 194200-52210 | 1 | 1 | | | | | |
| 61- 36-1 | .FUSE BOX | * | 1 | 1 | | * | S | | Not Sold Separately. (194440-52410) |
| 61- 37 | .COVER, fuse box | 194440-52420 | 1 | 1 | | | | W | |
| 61- 38 | .FUSE 5A | 194200-52220 | 3 | 3 | | 10 | | | Inc. 2 pcs. for spares. |
| | .FUSE 5A | 194145-52820 | 1 | 1 | | 10 | S | | |
| 61- 39 | .FUSE 10A | 194200-52230 | 6 | 6 | | 10 | | | Inc. 4 pcs. for spares. |
| | .FUSE 10A | 194145-52830 | 2 | 2 | | 10 | S | | |
| 61- 40 | .FUSE 15A | 194200-52240 | 3 | 3 | | 10 | | | Inc. 2 pcs. for spares. |
| | .FUSE 15A | 194145-52840 | 2 | 2 | | 10 | S | | |
| 61- 41 | SCREW M5 x 10 | 21557-050102 | 2 | 2 | | 10 | | | |
| | SCREW M6 x 10 | 26587-060202 | 2 | 2 | | 10 | S | | |
| 61- 42 | SPRING WASHER 5 | 22217-050000 | 2 | 2 | | 10 | Z | | |

Fig. 61 ELECTRIC PARTS (U.S.A. & S.AFRICA) [YM155, YM155D]

| Refer. No. | Description | Part No. | Qty/Unit | | | | Inter-change ability | Design-change Mark | Remarks |
|------------|--------------------------|--------------|----------|--------|-------|--------|----------------------|--------------------|---------|
| | | | YM155 | YM155D | YM135 | YM135D | | | |
| 61- 43 | PILOT LAMP ASS'Y, water | 794150-55400 | 1 | 1 | | | | | |
| | PILOT LAMP ASS'Y, water | 794340-55400 | 1 | 1 | | | | | |
| | PILOT LAMP ASS'Y, water | 194345-55110 | 1 | 1 | | | | | N |
| 61- 44 | .BULB 12V-3W | 194080-55840 | 2 | 2 | | | | | |
| 61- 45 | LAMP ASS'Y, oil pressure | 794130-55100 | 1 | 1 | | | | | |
| | LAMP ASS'Y, oil pressure | 194345-55120 | 1 | 1 | | | | | N |
| 61- 46 | .BULB 12V-3W | 194080-55840 | 2 | 2 | | 10 | | | |
| 61- 47 | HOOR METER | 194340-56050 | 1 | 1 | | | | | |
| 61- 48 | CABLE, hour meter | 194190-56100 | 1 | 1 | | | | | |
| | CABLE, hour meter | 194190-56900 | 1 | 1 | | | | | |
| 61- 49 | BAND, wire locking | 1A1040-55310 | 1 | 1 | | | | | Z |
| 61- 50 | CLAMP, speed | 194202-56450 | 3 | 3 | | | | | W |
| 61- 51 | CABLE, connecting | 194340-51190 | 1 | 1 | | | | | Z |
| 61- 52 | SWITCH, safety starter | 194240-52190 | 1 | 1 | | | | | |
| | SWITCH, safety starter | 194440-52190 | 1 | 1 | | | | | N |
| 61- 53 | WIRE, lead | 194200-51162 | 1 | 1 | | | | | W |
| 61- 54 | WASHER 6, plain | 22137-060000 | 4 | 4 | | 10 | | | W |

Fig. 62 ELECTRIC PARTS (FRANCE) [YM155, YM155D]

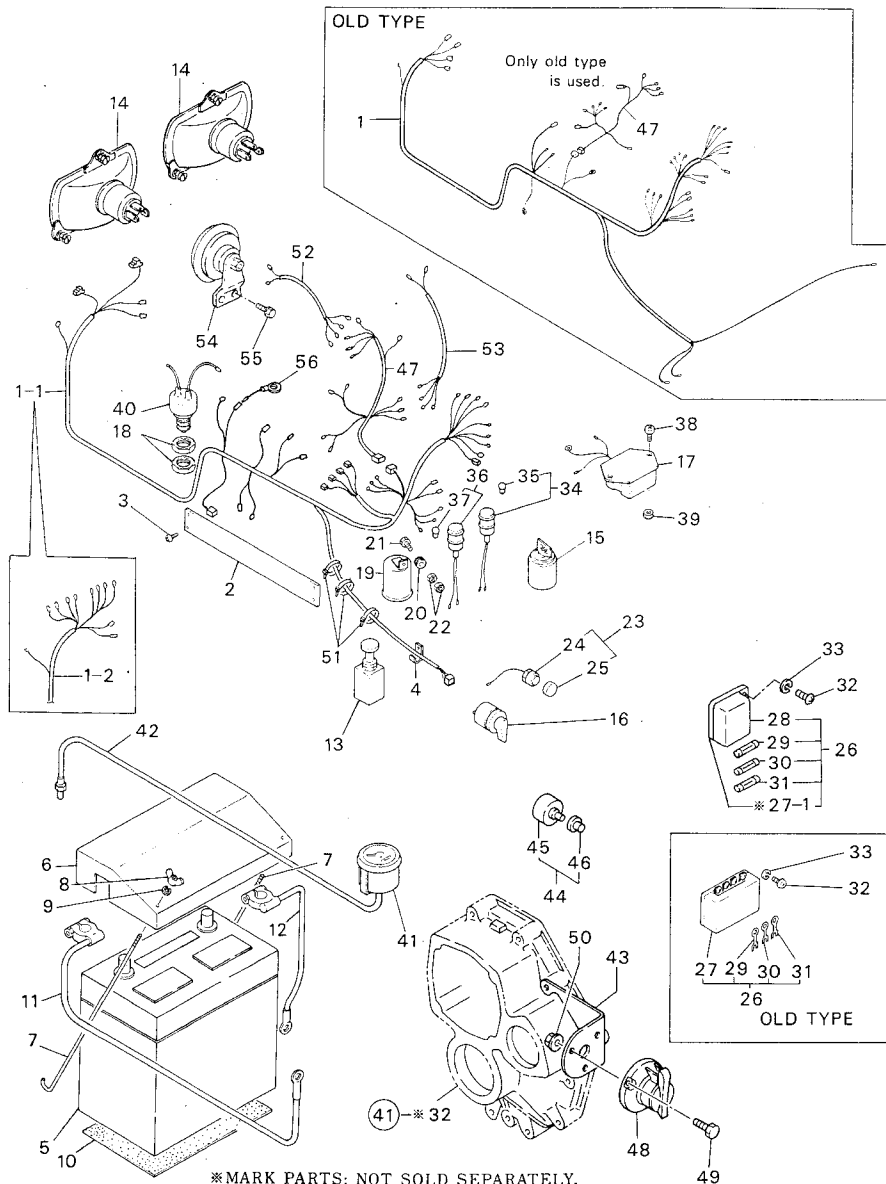


Fig. 62 ELECTRIC PARTS (FRANCE) [YM155, YM155D]

| Refer. No. | Description | Part No. | Qty/Unit | | | | Inter-changeability | Design-change Mark | Remarks |
|------------|-----------------------|---------------------------------|----------|--------|-------|--------|---------------------|--------------------------------------|---------|
| | | | YM155 | YM155D | YM135 | YM135D | | | |
| 62- 1 | WIRE HARNESS, main | 194340-51050 | 1 | 1 | | | | | |
| 62- 1- 1 | WIRE HARNESS, main | 194340-51051 | 1 | 1 | | | S | YM155 -T/# 52166 YM155D-T/# 57367 | |
| 62- 1- 2 | WIRE HARNESS, main | 194340-51052 | 1 | 1 | | | S | YM155 -T/# 52182 YM155D-T/# 57428 | |
| 62- 2 | COVER, cable | 194200-55470 | 1 | 1 | | | | | |
| 62- 3 | SCREW 4 x 10, tapping | 22857-400100 | 4 | 4 | | 10 | | | |
| 62- 4 | CLAMP | 194200-56400 | 1 | 1 | | | | | |
| 62- 5 | BATTERY Y60-S4LP | 194200-51301 | 1 | 1 | | | | | |
| | BATTERY Y60-S4GL | 194340-51300 | 1 | 1 | | | N | | |
| 62- 6 | COVER, battery | 194200-51351 | 1 | 1 | | | | | |
| 62- 7 | LOCK BOLT, battery | 194200-51400 | 2 | 2 | | | | | |
| 62- 8 | NUT M6, wing | 26337-060002 | 2 | 2 | | 10 | | | |
| 62- 9 | SPRING WASHER 6 | 22217-060000 | 2 | 2 | | 10 | | | |
| 62- 10 | CUSHION, battery | 194200-51440 | 1 | 1 | | | | | |
| 62- 11 | CABLE, battery plus | 194200-51201 | 1 | 1 | | | | | |
| 62- 12 | CABLE, battery earth | 194200-51211 | 1 | 1 | | | | | |
| 62- 13 | SWITCH, lighting | 194130-52121 | 1 | 1 | | | | | |
| 62- 14 | LIGHT ASS'Y, head | Local prepare (59.10.001.00) | 2 | 2 | | | | | |
| 62- 15 | SWITCH, starting | 194155-52110 | 1 | 1 | | | | | |
| 62- 16 | SWITCH, turn signal | 194080-52131 | 1 | 1 | | | | | |
| | SWITCH, turn signal | 194080-52132 | 1 | 1 | | | N | | |
| 62- 17 | CURRENT LIMITER | 121450-77710 | 1 | 1 | | | | | |
| 62- 18 | NUT M22 | 194240-52210 | 2 | 2 | | 10 | | | |
| 62- 19 | RELAY, turn signal | 194080-57202 | 1 | 1 | | | | | |
| 62- 20 | GROMMET 6 | 194200-57210 | 1 | 1 | | 10 | | | |
| 62- 21 | BOLT M5 x 16 | 26116-050162 | 1 | 1 | | 10 | | | |
| 62- 22 | NUT M5 | 26716-050002 | 2 | 2 | | 10 | | | |
| 62- 23 | SWITCH ASS'Y, horn | 794200-52100 | 1 | 1 | | | W | | |
| 62- 24 | .SWITCH, horn | 194150-52160 | 1 | 1 | | | | | |
| 62- 25 | .CAP, horn switch | 194150-52170 | 1 | 1 | | | | | |

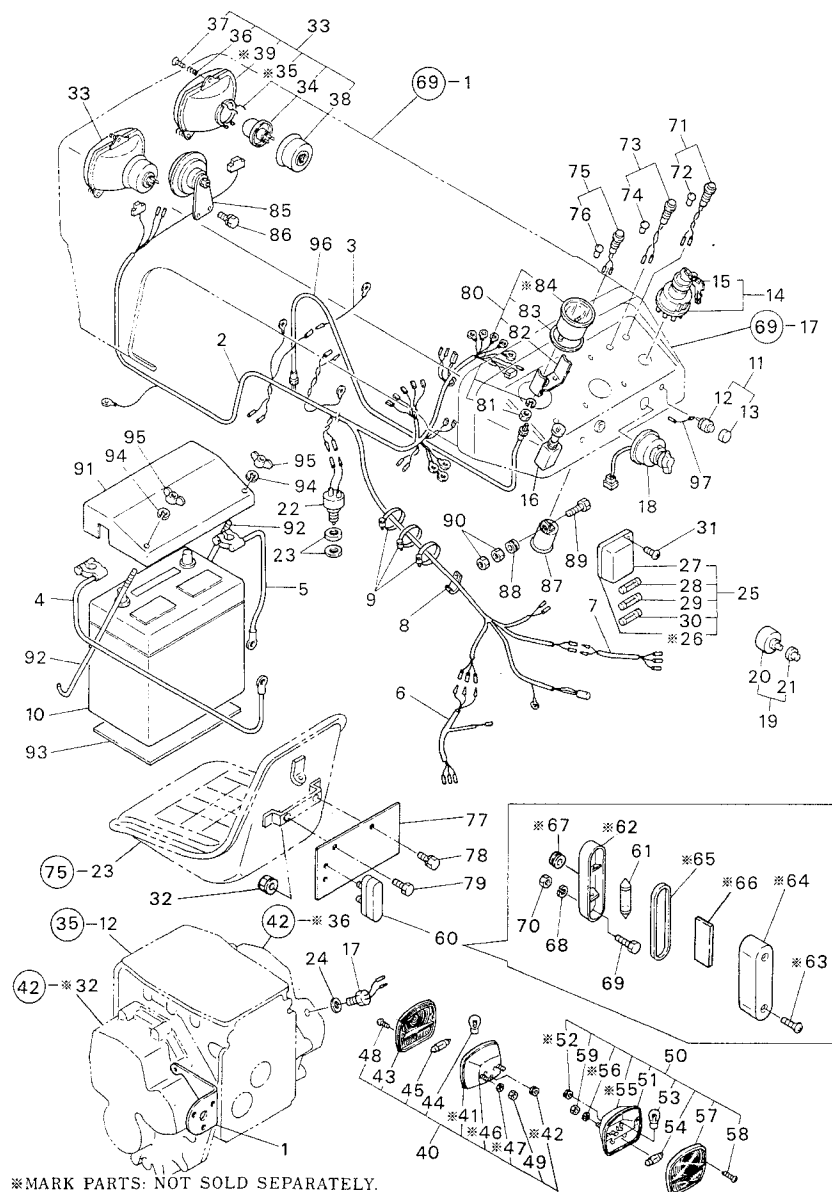
Fig. 62 ELECTRIC PARTS (FRANCE) [YM155,YM155D]

| Refer. No. | Description | Part No. | Q'ty/Unit | | | Sales Unit | Inter-change ability | Design-change Mark | Remarks |
|------------|--------------------------|--------------|-----------|--------|-------|------------|----------------------|--|---------|
| | | | YM155 | YM155D | YM155 | | | | |
| 62- 26 | FUSE BOX ASS'Y | 794340-52200 | 1 | 1 | | | | | |
| | FUSE BOX ASS'Y | 794345-52400 | 1 | 1 | | | N | | |
| | FUSE BOX ASS'Y | 194440-52400 | 1 | 1 | | | N | | |
| 62- 27 | .FUSE BOX | 194200-52210 | 1 | 1 | | | | | |
| 62- 27-1 | .FUSE BOX | * | 1 | 1 | | * | S | Not Sold Separately. (194440-52410) | |
| 62- 28 | .COVER, fuse box | 194440-52420 | 1 | 1 | | | W | | |
| 62- 29 | .FUSE 5A | 194200-52220 | 3 | 3 | | 10 | | Inc. 2 pcs. or spares. | |
| | .FUSE 5A | 194145-52820 | 1 | 1 | | 10 | S | | |
| 62- 30 | .FUSE 10A | 194200-52230 | 6 | 6 | | 10 | | Inc. 4 pcs. for spares. | |
| | .FUSE 10A | 194145-52830 | 2 | 2 | | 10 | S | | |
| 62- 31 | .FUSE 15A | 194200-52240 | 3 | 3 | | 10 | | Inc. 2 pcs. or spares. | |
| | .FUSE 15A | 194145-52840 | 2 | 2 | | 10 | S | | |
| 62- 32 | SCREW M5 x 10 | 21557-050102 | 2 | 2 | | 10 | | | |
| | SCREW M6 x 20 | 26587-060202 | 2 | 2 | | 10 | S | | |
| 62- 33 | SPRING WASHER 5 | 22217-050000 | 2 | 2 | | 10 | | | |
| 62- 34 | PILOT LAMP ASS'Y, water | 794340-55400 | 1 | 1 | | | | | |
| | PILOT LAMP ASS'Y, water | 194345-55110 | 1 | 1 | | | N | | |
| 62- 35 | .BULB 12V-3W | 194080-55840 | 1 | 1 | | 10 | | | |
| 62- 36 | LAMP ASS'Y, oil pressure | 794130-55100 | 1 | 1 | | | | | |
| 62- 37 | .BULB 12V-3W | 194080-55840 | 1 | 1 | | 10 | | | |
| 62- 38 | SCREW 6 x 12 | 26587-060122 | 2 | 2 | | 10 | | | |
| 62- 39 | NUT M6 | 26716-060002 | 2 | 2 | | 10 | | | |
| 62- 40 | SWITCH, safety starter | 194240-52190 | 1 | 1 | | | | | |
| | SWITCH, safety starter | 194440-52190 | 1 | 1 | | | N | | |
| 62- 41 | HOOR METER | 194340-56050 | 1 | 1 | | | | | |

Fig. 62 ELECTRIC PARTS (FRANCE) [YM155,YM155D]

| Refer. No. | Description | Part No. | Q'ty/Unit | | | Sales Unit | Inter-change ability | Design-change Mark | Remarks |
|------------|----------------------|---------------------------------|-----------|--------|-------|------------|----------------------|--------------------------------------|---------|
| | | | YM155 | YM155D | YM155 | | | | |
| 62- 42 | CABLE, hour meter | 194190-56900 | 1 | 1 | | | | | |
| 62- 43 | BRACKET, socket | 194340-32810 | 1 | 1 | | | | | |
| 62- 44 | DIMMER SWITCH ASS'Y | 194340-52150 | 1 | 1 | | | | | |
| 62- 45 | .DIMMER SWITCH | 194340-52160 | 1 | 1 | | | | | |
| 62- 46 | .CAP, dimmer switch | 194340-52170 | 1 | 1 | | | | | |
| 62- 47 | WIRE HARNESS, sub | 194340-51060 | 1 | 1 | | | | | |
| | WIRE HARNESS, sub | 194340-51061 | 1 | 1 | | | S | YM155 -T/# 52340 YM155D-T/# 58047 | |
| 62- 48 | COUPLER, elec. | Local prepare (59.10.026.00) | 1 | 1 | | | | | |
| 62- 49 | BOLT M6 x 20 | 26116-060202 | 3 | 3 | | | | | |
| 62- 50 | NUT M6 | 26716-060002 | 3 | 3 | | | | | |
| 62- 51 | CLAMP | 194202-56450 | 3 | 3 | | | W | | |
| 62- 52 | CABLE, side lamp (L) | 194340-51320 | 1 | 1 | | | W | | |
| 62- 53 | CABLE, side lamp (R) | 194340-51330 | 1 | 1 | | | W | | |
| 62- 54 | HORN | 194340-57100 | 1 | 1 | | | | | |
| 62- 55 | BOLT M6 x 12 | 26097-060123 | 2 | 2 | | 10 | | | |
| | BOLT M6 x 12 | 26013-060129 | 2 | 2 | | 10 | N | | |
| 62- 56 | WIRE, lead | 194200-51162 | 1 | 1 | | | W | | |

Fig. 63 ELECTRIC PARTS (ENGLAND) [YM155, YM155D]



*MARK PARTS: NOT SOLD SEPARATELY.

Fig. 63 ELECTRIC PARTS (ENGLAND) [YM155, YM155D]

| Refer. No. | Description | Part No. | Qty./Unit | | | | Inter-changeability | Design-change Mark | Remarks |
|------------|------------------------|--------------|-----------|--------|-------|--------|---------------------|--------------------|---------|
| | | | YM155 | YM155D | YM155 | YM155D | | | |
| 63- 1 | BRACKET, coupler | 194340-32810 | 1 | 1 | | | | | |
| 63- 2 | HARNES, wire | 194340-51091 | 1 | 1 | | | | | |
| 63- 3 | WIRE, lead | 194200-51162 | 1 | 1 | | | | | |
| 63- 4 | CABLE, battery | 194200-51201 | 1 | 1 | | | | | |
| 63- 5 | CABLE, battery earth | 194200-51211 | 1 | 1 | | | | | |
| 63- 6 | CABLE, side lamp (L) | 194340-51320 | 1 | 1 | | | | | |
| 63- 7 | CABLE, side lamp (R) | 194340-51330 | 1 | 1 | | | | | |
| 63- 8 | CLAMP | 194200-56400 | 1 | 1 | | | | | |
| 63- 9 | CLAMP, speed | 194202-56450 | 3 | 3 | | | | | |
| 63-10 | BATTERY (Y60-S4GL) | 194340-51300 | 1 | 1 | | | | | |
| 63-11 | SWITCH ASS'Y, horn | 794200-52100 | 1 | 1 | | | | | |
| 63-12 | .SWITCH, horn | 194150-52160 | 1 | 1 | | | | | |
| 63-13 | .CAP, horn switch | 194150-52170 | 1 | 1 | | | | | |
| 63-14 | SWITCH, starting | 194155-52110 | 1 | 1 | | | | | |
| 63-15 | .KEY, start switch | 194155-52190 | 1 | 1 | | | | | |
| 63-16 | SWITCH, lighting | 194130-52121 | 1 | 1 | | | | | |
| 63-17 | SWITCH, diff. lock | 194340-52120 | 1 | 1 | | | | | |
| 63-18 | SWITCH, turn signal | 194170-52130 | 1 | 1 | | | | | |
| 63-19 | SWITCH ASS'Y, dimmer | 194340-52150 | 1 | 1 | | | | | |
| 63-20 | .SWITCH, dimmer | 194340-52160 | 1 | 1 | | | | | |
| 63-21 | .CAP, dimmer switch | 194340-52170 | 1 | 1 | | | | | |
| 63-22 | SWITCH, safety starter | 194240-52190 | 1 | 1 | | | | | |
| 63-23 | NUT M22 | 194240-52210 | 2 | 2 | | | | | |
| 63-24 | PACKING 14 | 23414-140000 | 1 | 1 | | 10 | | | |

Fig. 63 ELECTRIC PARTS (ENGLAND) [YM155, YM155D]

| Refer. No. | Description | Part No. | Q'ty/Unit | | | | Sales Unit | Inter-change ability | Design-change Mark | Remarks |
|------------|---------------------------|--------------|-----------|--------|-------|--------|------------|----------------------|-------------------------------------|---------|
| | | | YM155 | YM155D | YM135 | YM135D | | | | |
| 63- 25 | FUSE BOX ASS'Y | 794345-52400 | 1 | 1 | | | | | | |
| | FUSE BOX ASS'Y | 194440-52400 | 1 | 1 | | | | N | | |
| 63- 26 | .FUSE BOX | * | 1 | 1 | | | * | | Not Sold Separately. (194440-52410) | |
| 63- 27 | .COVER, fuse box | 194440-52420 | 1 | 1 | | | | | | |
| 63- 28 | .FUSE 5A | 194145-52820 | 1 | 1 | | | 10 | | | |
| 63- 29 | .FUSE 10A | 194145-52830 | 2 | 2 | | | 10 | | | |
| 63- 30 | .FUSE 15A | 194145-52840 | 2 | 2 | | | 10 | | | |
| 63- 31 | SCREW M6 x 20 | 26587-060202 | 2 | 2 | | | | | | |
| 63- 32 | NUT M6 | 194990-22130 | 1 | 1 | | | 10 | | | |
| 63- 33 | LIGHT ASS'Y, head | 194436-53100 | 2 | 2 | | | | | | |
| 63- 34 | .BULB 12V-45/40W | 194436-53110 | 2 | 2 | | | | | | |
| 63- 35 | .CLIP | * | 2 | 2 | | | * | | Not Sold Separately. (194436-53120) | |
| 63- 36 | .SPRING | 194436-53130 | 6 | 6 | | | | | | |
| 63- 37 | .SCREW | 194436-53140 | 6 | 6 | | | | | | |
| 63- 38 | .BOOT, rubber | 194436-53150 | 2 | 2 | | | | | | |
| 63- 39 | .BODY | * | 2 | 2 | | | * | | Not Sold Separately. (194436-53160) | |
| 63- 40 | LAMP ASS'Y, clearance (F) | 194436-53600 | 2 | 2 | | | | | | |
| 63- 41 | .PACKING | * | 2 | 2 | | | * | | Not Sold Separately. (194436-53610) | |
| 63- 42 | .GROMMET | * | 2 | 2 | | | * | | Not Sold Separately. (194436-53620) | |
| 63- 43 | .LENS | 194436-53630 | 2 | 2 | | | | | | |
| 63- 44 | .BULB 12V-21W | 194436-53640 | 2 | 2 | | | | | | |
| 63- 45 | .BULB 12V-4W | 194436-53650 | 2 | 2 | | | | | | |
| 63- 46 | .BODY | * | 2 | 2 | | | * | | Not Sold Separately. (194436-53660) | |
| 63- 47 | .WASHER 5 | * | 4 | 4 | | | * | | Not Sold Separately. (194436-53670) | |
| 63- 48 | .SCREW M4 x 20 | 26557-040202 | 4 | 4 | | | | | | |
| 63- 49 | .NUT M5 | 26716-050002 | 4 | 4 | | | | | | |

Fig. 63 ELECTRIC PARTS (ENGLAND) [YM155, YM155D]

| Refer. No. | Description | Part No. | Q'ty/Unit | | | | Sales Unit | Inter-change ability | Design-change Mark | Remarks |
|------------|---------------------------|--------------|-----------|--------|-------|--------|------------|----------------------|-------------------------------------|---------|
| | | | YM155 | YM155D | YM135 | YM135D | | | | |
| 63- 50 | LAMP ASS'Y, clearance (R) | 194436-53700 | 2 | 2 | | | | | | |
| 63- 51 | .PACKING | 194436-53610 | 2 | 2 | | | | | | |
| 63- 52 | .GROMMET | * | 2 | 2 | | | * | | Not Sold Separately. (194436-53620) | |
| 63- 53 | .BULB 12V-21W | 194436-53640 | 2 | 2 | | | | | | |
| 63- 54 | .BULB 12V-4W | 194436-53650 | 2 | 2 | | | | | | |
| 63- 55 | .BODY | * | 2 | 2 | | | * | | Not Sold Separately. (194436-53660) | |
| 63- 56 | .WASHER 5 | * | 4 | 4 | | | * | | Not Sold Separately. (194436-53670) | |
| 63- 57 | .LENS | 194436-53710 | 2 | 2 | | | | | | |
| 63- 58 | .SCREW M4 x 20 | 26557-040202 | 4 | 4 | | | | | | |
| 63- 59 | .NUT M5 | 26716-050002 | 4 | 4 | | | | | | |
| 63- 60 | LAMP ASS'Y, liscence | 194436-53800 | 1 | 1 | | | | | | |
| 63- 61 | .BULB 12V-4W | 194436-53650 | 1 | 1 | | | | | | |
| 63- 62 | .BODY | * | 1 | 1 | | | * | | Not Sold Separately. (194436-53810) | |
| 63- 63 | .SCREW | * | 2 | 2 | | | * | | Not Sold Separately. (194436-53820) | |
| 63- 64 | .COVER | * | 1 | 1 | | | * | | Not Sold Separately. (194436-53830) | |
| 63- 65 | .PACKING | * | 1 | 1 | | | * | | Not Sold Separately. (194436-53840) | |
| 63- 66 | .LENS | * | 1 | 1 | | | * | | Not Sold Separately. (194436-53850) | |
| 63- 67 | .GROMMET | * | 1 | 1 | | | * | | Not Sold Separately. (194436-53860) | |
| 63- 68 | .SPRING WASHER 5 | 22217-050000 | 2 | 2 | | | | | | |
| 63- 69 | .BOLT M5 x 16 | 26116-050162 | 2 | 2 | | | | | | |
| 63- 70 | .NUT M5 | 26716-050002 | 2 | 2 | | | | | | |
| 63- 71 | PILOT LAMP ASS'Y, water | 194345-55110 | 1 | 1 | | | | | CV 3-70 | |
| 63- 72 | .BULB 12V-3W | 194080-55840 | 1 | 1 | | | | | | |
| 63- 73 | LAMP ASS'Y, oil pressure | 194345-55120 | 1 | 1 | | | | | CV 3-70 | |
| 63- 74 | .BULB 12V-3W | 194080-55840 | 1 | 1 | | | | | | |
| 63- 75 | PILOT LAMP ASS'Y, heater | 194312-55500 | 1 | 1 | | | | | CV 3-70 | |
| 63- 76 | .BULB 12V-3.4W | 194151-55820 | 1 | 1 | | | | | | |

Fig. 63 ELECTRIC PARTS (ENGLAND) [YM155, YM155D]

M E M O

| Refer. No. | Description | Part No. | Q ^{ty} /Unit | | | | Sales Unit | Inter-change ability | Design-change Mark | Remarks |
|------------|--------------------|--------------|-----------------------|--------|-------|--------|------------|----------------------|---------------------------------------|---------|
| | | | YM155 | YM155D | YM155 | YM155D | | | | |
| 63- 77 | PLATE, licence | 194436-64510 | 1 | 1 | | | | | | |
| 63- 78 | BOLT M6 x 12 | 26013-060122 | 1 | 1 | | | | | | |
| 63- 79 | BOLT M6 x 12 | 26116-060122 | 1 | 1 | | | | | | |
| 63- 80 | HOUR METER | 194340-56050 | 1 | 1 | | | | | | |
| 63- 81 | .NUT M4 | 194990-22020 | 2 | 2 | | | | | | |
| 63- 82 | .FITTINGS | 194200-56060 | 1 | 1 | | | | | | |
| 63- 83 | .SHEET | 194200-56070 | 1 | 1 | | | | | | |
| 63- 84 | .HOUR METER | * | 1 | 1 | | | * | | Not Sold Separately (194200-56080) | |
| 63- 85 | HORN | 194340-57100 | 1 | 1 | | | | | | |
| 63- 86 | BOLT M6 x 12 | 26013-060122 | 2 | 2 | | | | | | |
| 63- 87 | RELAY, turn signal | 194080-57202 | 1 | 1 | | | | | | |
| 63- 88 | GROMMET 6 | 194200-57210 | 1 | 1 | | | | | | |
| 63- 89 | BOLT M5 x 16 | 26116-050162 | 1 | 1 | | | | | | |
| 63- 90 | NUT M5 | 26716-050002 | 2 | 2 | | | | | | |
| 63- 91 | COVER, battery | 194200-51351 | 1 | 1 | | | | | | |
| 63- 92 | LOCK BOLT | 194200-51400 | 2 | 2 | | | | | | |
| 63- 93 | CUSHION | 194200-51440 | 1 | 1 | | | | | | |
| 63- 94 | SPRING WASHER 6 | 22217-060000 | 2 | 2 | | | | | | |
| 63- 95 | NUT M6, wing | 26637-060002 | 2 | 2 | | | | | | |
| 63- 96 | CABLE, hour meter | 194190-56900 | 1 | 1 | | | | | | |
| 63- 97 | CORD | 194340-51310 | 1 | 1 | | | | | | |

Fig. 64 ELECTRIC PARTS (PORTUGAL) [YM155, YM155D]

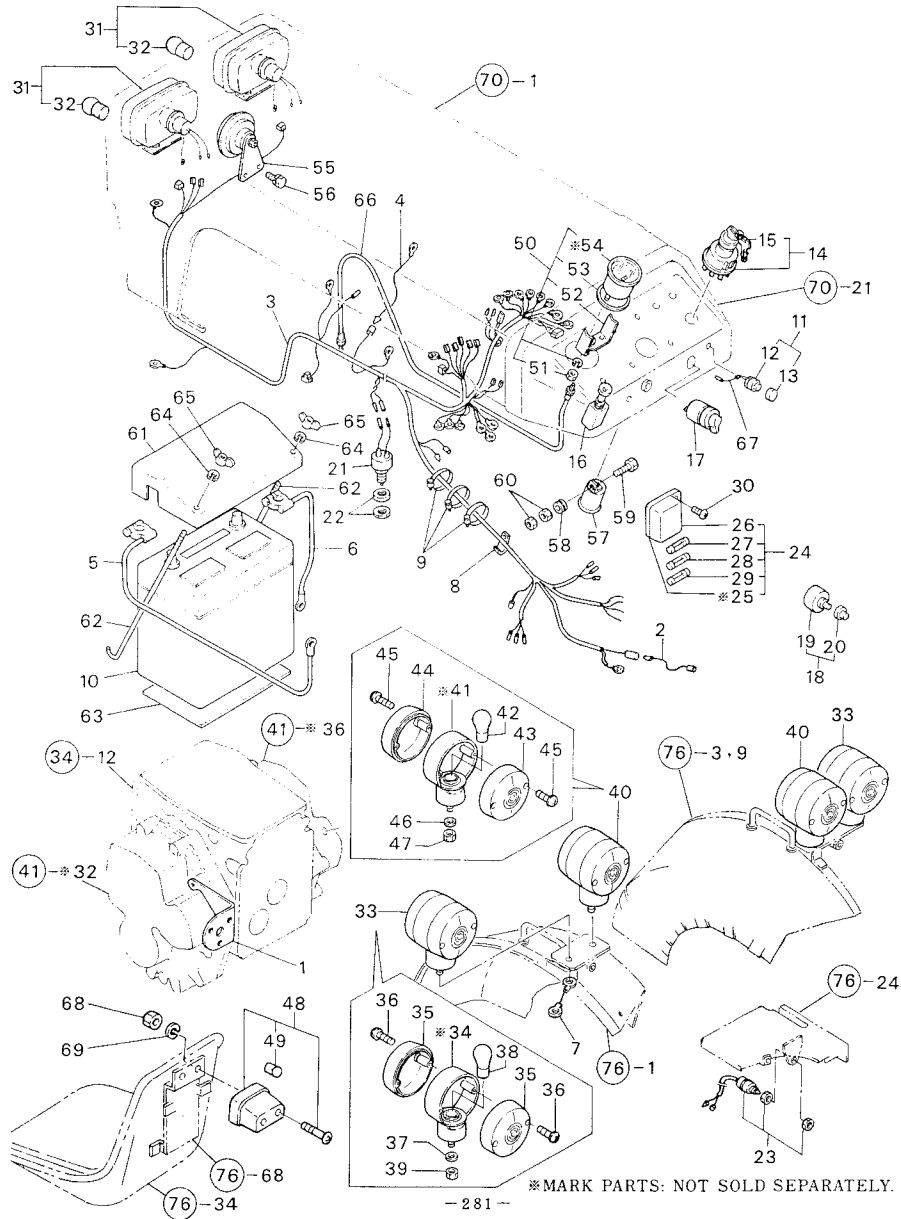


Fig. 64 ELECTRIC PARTS (PORTUGAL) [YM155, YM155D]

| Refer. No. | Description | Part No. | Q'ty/Unit | | | Sales Unit | Inter-change ability | Design-change Mark | Remarks |
|------------|------------------------|--------------|-----------|--------|-------|------------|----------------------|--------------------|---------|
| | | | YM155 | YM155D | YM155 | | | | |
| 64- 1 | BRACKET, coupler | 194340-32810 | 1 | 1 | | | | | |
| 64- 2 | CORD, liscence lamp | 194340-51070 | 1 | 1 | | | | | |
| 64- 3 | HARNES, wire | 194340-51082 | 1 | 1 | | | | | |
| 64- 4 | WIRE, lead | 194200-51162 | 1 | 1 | | | | | |
| 64- 5 | CABLE, battery | 194200-51201 | 1 | 1 | | | | | |
| 64- 6 | CABLE, battery earth | 194200-51211 | 1 | 1 | | | | | |
| 64- 7 | CORD, side lamp earth | 194340-51210 | 1 | 1 | | | | | |
| 64- 8 | CLAMP | 194200-56400 | 1 | 1 | | | | | |
| 64- 9 | CLAMP, speed | 194202-56450 | 3 | 3 | | | | | |
| 64- 10 | BATTERY (Y60-S4GL) | 194340-51300 | 1 | 1 | | | | | |
| 64- 11 | SWITCH ASS'Y, horn | 794200-52100 | 1 | 1 | | | | | |
| 64- 12 | .SWITCH, horn | 194150-52160 | 1 | 1 | | | | | |
| 64- 13 | .CAP, horn switch | 194150-52170 | 1 | 1 | | | | | |
| 64- 14 | SWITCH, starting | 194155-52110 | 1 | 1 | | | | | |
| 64- 15 | .KEY, start switch | 194155-52190 | 1 | 1 | | | | | |
| 64- 16 | SWITCH, lighting | 194130-52121 | 1 | 1 | | | | | |
| 64- 17 | SWITCH, turn signal | 194080-52132 | 1 | 1 | | | | | |
| 64- 18 | SWITCH ASS'Y, dimmer | 194340-52150 | 1 | 1 | | | | | |
| 64- 19 | .SWITCH, dimmer | 194340-52160 | 1 | 1 | | | | | |
| 64- 20 | .CAP, dimmer switch | 194340-52170 | 1 | 1 | | | | | |
| 64- 21 | SWITCH, safety starter | 194240-52190 | 1 | 1 | | | | | |
| 64- 22 | NUT M22 | 194240-52210 | 2 | 2 | | | | | |
| 64- 23 | SWITCH ASS'Y, stop | 194340-52300 | 1 | 1 | | | | | |

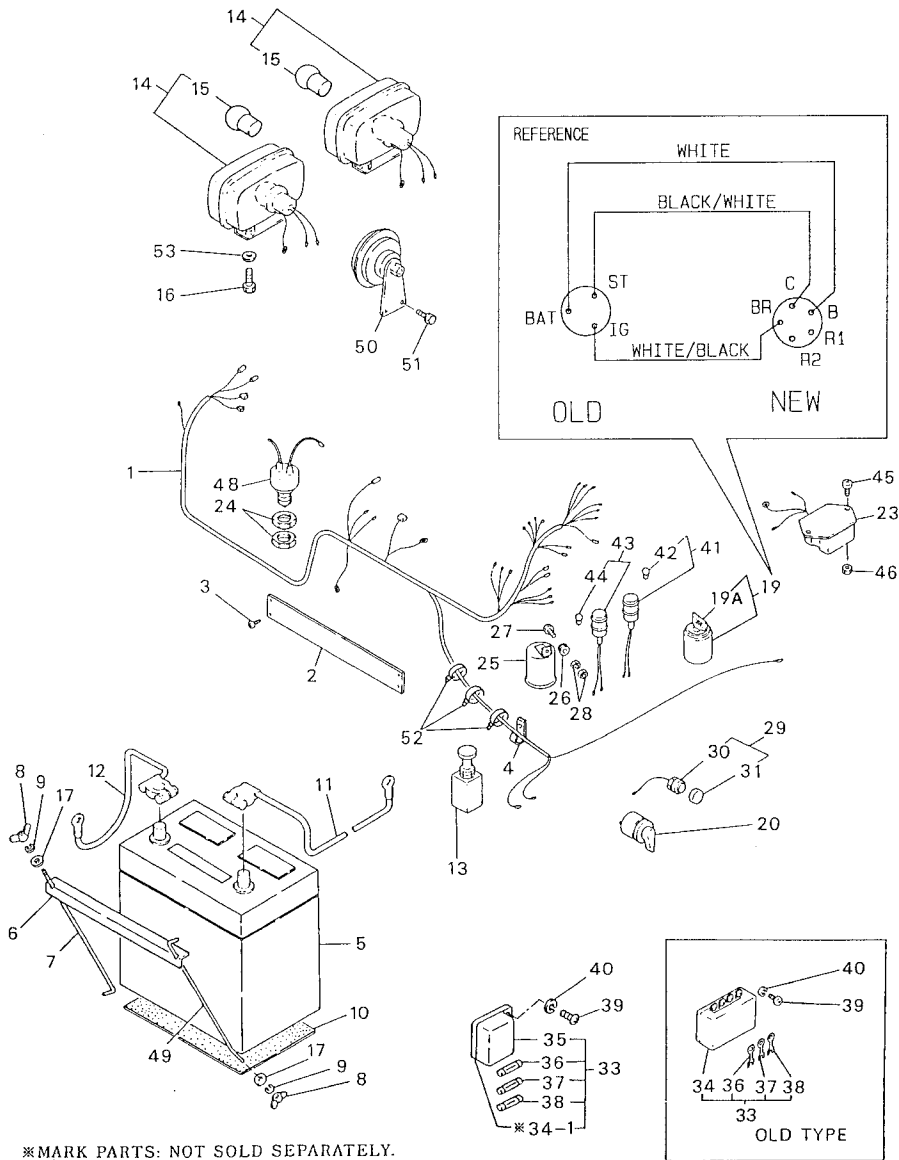
Fig. 64 ELECTRIC PARTS (PORTUGAL) [YM155,YM155D]

| Refer. No. | Description | Part No. | Q'ty/Unit | | | | Inter-change ability | Design-change Mark | Remarks |
|------------|---------------------|--------------|------------|--------|-------|--------|----------------------|-------------------------------------|---------|
| | | | YM155 | YM155D | YM135 | YM135D | | | |
| | | | Sales Unit | | | | | | |
| 64- 24 | FUSE BOX ASS'Y | 194440-52400 | 1 | 1 | | | | | |
| 64- 25 | .FUSE BOX | * | 1 | 1 | | * | | Not Sold Separately. (194440-52410) | |
| 64- 26 | .COVER, fuse box | 194440-52420 | 1 | 1 | | | | | |
| 64- 27 | .FUSE 5A | 194145-52820 | 1 | 1 | | 10 | | | |
| 64- 28 | .FUSE 10A | 194145-52830 | 2 | 2 | | 10 | | | |
| 64- 29 | .FUSE 15A | 194145-52840 | 2 | 2 | | 10 | | | |
| 64- 30 | SCREW M6 x 20 | 26587-060202 | 2 | 2 | | | | | |
| 64- 31 | LIGHT ASS'Y, head | 194262-53051 | 2 | 2 | | | | | |
| 64- 32 | .BULB | 194262-53080 | 2 | 2 | | | | | |
| 64- 33 | LAMP ASS'Y, flasher | 194242-53400 | 2 | 2 | | | | | |
| 64- 34 | .BODY | * | 2 | 2 | | * | | Not Sold Separately. (194242-53410) | |
| 64- 35 | .LENS | 194242-55420 | 4 | 4 | | | | | |
| 64- 36 | .SCREW | 194242-55430 | 8 | 8 | | | | | |
| 64- 37 | .WASHER 12 | 194242-55440 | 2 | 2 | | | | | |
| 64- 38 | .BULB 12V-20W | 194081-55820 | 2 | 2 | | | | | |
| 64- 39 | .LOCK NUT M12 | 26776-120002 | 2 | 2 | | | | | |
| 64- 40 | LAMP ASS'Y, stop | 194242-53600 | 2 | 2 | | | | | |
| 64- 41 | .BODY | * | 2 | 2 | | * | | Not Sold Separately. (194242-53610) | |
| 64- 42 | .BULB 12V-21/5W | 194242-53620 | 2 | 2 | | | | | |
| 64- 43 | .LENS (RED) | 194242-53630 | 2 | 2 | | | | | |
| 64- 44 | .LENS (CLEAR) | 194242-53640 | 2 | 2 | | | | | |
| 64- 45 | .SCREW | 194242-55430 | 8 | 8 | | | | | |
| 64- 46 | .WASHER 12 | 194242-55440 | 2 | 2 | | | | | |
| 64- 47 | .LOCK NUT M12 | 26776-120002 | 2 | 2 | | | | | |
| 64- 48 | LAMP ASS'Y, lisence | 194450-53800 | 1 | 1 | | | | | |
| 64- 49 | .BULB 12V-4W | 194450-53810 | 1 | 1 | | | | | |

Fig. 64 ELECTRIC PARTS (PORTUGAL) [YM155,YM155D]

| Refer. No. | Description | Part No. | Q'ty/Unit | | | Sales Unit | Inter-change ability | Design-change Mark | Remarks | |
|------------|--------------------|---------------|-----------|--------|-------|------------|----------------------|------------------------------------|---------|--------|
| | | | YM155 | YM155D | YM135 | | | | | YM135D |
| | | | | | | | | | | |
| 64- 50 | HOOR METER | 194340-56050 | 1 | 1 | | | | | | |
| 64- 51 | .NUT M4 | 194990-22020 | 2 | 2 | | | | | | |
| 64- 52 | .FITTINGS | 194200-56060 | 1 | 1 | | | | | | |
| 64- 53 | .SHEET | 194200-56070 | 1 | 1 | | | | | | |
| 64- 54 | .HOOR METER | * | 1 | 1 | | * | | Not Sold Separately (194200-56080) | | |
| 64- 55 | HORN | 194340-57100 | 1 | 1 | | | | | | |
| 64- 56 | BOLT M6 x 12 | 26013-060129 | 2 | 2 | | | | | | |
| 64- 57 | RELAY, turn signal | 194080-57202 | 1 | 1 | | | | | | |
| 64- 58 | GROMMET 6 | 194200-57210 | 1 | 1 | | | | | | |
| 64- 59 | BOLT M5 x 16 | 26116-050162 | 1 | 1 | | | | | | |
| 64- 60 | NUT M5 | 26716-050002 | 2 | 2 | | | | | | |
| 64- 61 | COVER, battery | 194200-51351 | 1 | 1 | | | | | | |
| 64- 62 | LOCK BOLT | 194200-51400 | 2 | 2 | | | | | | |
| 64- 63 | CUSHION | 194200-51440 | 1 | 1 | | | | | | |
| 64- 64 | SPRING WASHER 6 | 22217-060000 | 2 | 2 | | | | | | |
| 64- 65 | NUT M6, wing | 26637-060002 | 2 | 2 | | | | | | |
| 64- 66 | CABLE, hour meter | 194190-56900 | 1 | 1 | | | | | | |
| 64- 67 | CORD | 194340-51310 | 1 | 1 | | | | | | |
| 64- 68 | NUT M22 | Local prepare | 2 | 2 | | | | | | |
| 64- 69 | WASHER 22 | Local prepare | 2 | 2 | | | | | | |

Fig. 65 ELECTRIC PARTS (U.S.A.) [YM135, YM135D]



*MARK PARTS: NOT SOLD SEPARATELY.

Fig. 65 ELECTRIC PARTS (U.S.A.) [YM135, YM135D]

| Refer. No. | Description | Part No. | Q'ty/Unit | | | Inter-changeability | Design-change Mark | Remarks |
|------------|----------------------------|--------------|-----------|--------|-------|---------------------|--------------------|------------------|
| | | | YM135 | YM135D | YM135 | | | |
| 65- 1 | WIRE HARNESS, main | 194340-51101 | | 1 | 1 | | | |
| | WIRE HARNESS, main | 194340-51102 | | 1 | 1 | N | | |
| | WIRE HARNESS, main | 194340-51103 | | 1 | 1 | N | | |
| 65- 2 | COVER, cable | 194200-55470 | | 1 | 1 | | | |
| 65- 3 | SCREW 4 x 10, tapping | 22857-400100 | | 4 | 4 | 10 | | |
| 65- 4 | CLAMP | 194200-56400 | | 1 | 1 | | | |
| 65- 5 | BATTERY NS40Z | 194262-51300 | | 1 | 1 | | | |
| | BATTERY Y60-S4P | 194262-51301 | | 1 | 1 | | N | |
| | BATTERY Y60-S4P (DRY TYPE) | 194390-51300 | | 1 | 1 | | N | |
| 65- 6 | CLAMP, battery | 194262-51350 | | 1 | 1 | | | |
| 65- 7 | ROD, battery clamp | 194262-51370 | | 2 | 1 | | | |
| 65- 8 | NUT M6, wing | 26337-060002 | | 2 | 2 | 10 | | |
| | NUT M6, wing | 26637-060002 | | 2 | 2 | 10 | N | |
| 65- 9 | SPRING WASHER 6 | 22217-060000 | | 2 | 2 | 10 | | |
| 65- 10 | FELT 190x105x3 | 194262-51360 | | 1 | 1 | | | |
| 65- 11 | CABLE, battery plus | 194262-51200 | | 1 | 1 | | | |
| 65- 12 | CABLE, battery earth | 194200-51211 | | 1 | 1 | | | |
| 65- 13 | SWITCH, lighting | 194130-52121 | | 1 | 1 | | | |
| 65- 14 | LIGHT ASS'Y, head | 194262-53050 | | 2 | 2 | | | |
| | LIGHT ASS'Y, head | 194262-53051 | | 2 | 2 | | N | |
| 65- 15 | BULB 12V-25W | 194262-53080 | | 2 | 2 | | | |
| 65- 16 | BOLT M 6 x 12 | 26097-060123 | | 4 | 4 | | | |
| | BOLT M 6 x 12 | 26013-060123 | | 4 | 4 | | | |
| | BOLT M 6 x 12 | 26013-060129 | | 4 | 4 | | | |
| 65- 17 | WASHER 6, plain | 22117-060000 | | 6 | 6 | | | |
| | WASHER 6, plain | 22137-060000 | | 2 | 2 | 10 | N | |
| 65- 18 | TUBE 7 x130, vinyl | 23061-070130 | | 2 | 2 | | Z | |
| 65- 19 | SWITCH, starting | 794750-52050 | | 1 | 1 | | | 3-TERMINAL (OLD) |
| | SWITCH, starting | 194155-52110 | | 1 | 1 | | N | 5-TERMINAL (NEW) |
| 65- 20 | SWITCH, turn signal | 194080-52131 | | 1 | 1 | | | |
| | SWITCH, turn signal | 194080-52132 | | 1 | 1 | | N | |
| 19A | KEY | 194155-52190 | | 1 | 1 | | | |
| | KEY | 194155-52160 | | 1 | 1 | | N | |

(REFERENCE) BR TO IG, C TO ST, BAT TO B TERMINAL, R1 & R2 ARE OPEN.

Fig. 65 ELECTRIC PARTS (U.S.A.) [YM135,YM135D]

| Refer. No. | Description | Part No. | Q'ty/Unit | | | | Inter-change ability | Design-change Mark | Remarks |
|------------|------------------------|--------------|-----------|--------|-------|--------|----------------------|--------------------|-------------------------------------|
| | | | YM155 | YM155D | YM135 | YM135D | | | |
| 65- 21 | CABLE (L), turn signal | 194200-51130 | | | 1 | 1 | | Z | |
| 65- 22 | CABLE (R), turn signal | 194200-51180 | | | 1 | 1 | | Z | |
| 65- 23 | CURRENT LIMITER | 121450-77710 | | | 1 | 1 | | | |
| | CURRENT LIMITER | 124660-77710 | | | 1 | 1 | | N | |
| 65- 24 | NUT M22 | 194240-52210 | | | 2 | 2 | 10 | | |
| 65- 25 | RELAY, turn signal | 194080-57202 | | | 1 | 1 | | | |
| 65- 26 | GROMMET 6 | 194200-57210 | | | 1 | 1 | 10 | | |
| 65- 27 | BOLT M5 x 16 | 26116-050162 | | | 1 | 1 | 10 | | |
| 65- 28 | NUT M5 | 26716-050002 | | | 2 | 2 | 10 | | |
| 65- 29 | SWITCH ASS'Y, horn | 794200-52100 | | | 1 | 1 | | W | |
| 65- 30 | .SWITCH, horn | 194150-52160 | | | 1 | 1 | | | |
| 65- 31 | .CAP, horn switch | 194150-52170 | | | 1 | 1 | | | |
| 65- 32 | CLAMP (B) | 194200-56410 | | | 1 | 1 | | Z | |
| 65- 33 | FUSE BOX ASS'Y | 794340-52200 | | | 1 | 1 | | | Inc. 35-28 31 |
| | FUSE BOX ASS'Y | 794345-52400 | | | 1 | 1 | | N | |
| 65- 34 | .FUSE BOX | 194200-52210 | | | 1 | 1 | | | |
| 65- 34-1 | .FUSE BOX | * | | | 1 | 1 | * | S | Not Sold Separately. (194440-52410) |
| 65- 35 | .COVER, fuse box | 194440-52420 | | | 1 | 1 | | W | |
| 65- 36 | .FUSE 5A | 194200-52220 | | | 3 | 3 | 10 | | Inc. 2 pcs. or spares. |
| | .FUSE 5A | 194145-52820 | | | 1 | 1 | 10 | S | |
| 65- 37 | .FUSE 10A | 194200-52230 | | | 6 | 6 | 10 | | Inc. 4 pcs. for spares. |
| | .FUSE 10A | 194145-52830 | | | 2 | 2 | 10 | S | |
| 65- 38 | .FUSE 15A | 194200-52240 | | | 3 | 3 | 10 | | Inc. 2 pcs. or spares. |
| | .FUSE 15A | 194145-52840 | | | 2 | 2 | 10 | S | |

Fig. 65 ELECTRIC PARTS (U.S.A.) [YM135,YM135D]

| Refer. No. | Description | Part No. | Q'ty/Unit | | | | Inter-change ability | Design-change Mark | Remarks |
|------------|--------------------------|--------------|-----------|--------|-------|--------|----------------------|--------------------|---------|
| | | | YM155 | YM155D | YM135 | YM135D | | | |
| 65- 39 | SCREW M5 x 10 | 21557-050102 | | | 2 | 2 | 10 | | |
| | SCREW M6 x 10 | 26587-060202 | | | 2 | 2 | 10 | | S |
| 65- 40 | SPRING WASHER 5 | 22217-050000 | | | 2 | 2 | 10 | | Z |
| 65- 41 | PILOT LAMP ASS'Y, water | 794150-55400 | | | 1 | 1 | | | |
| | PILOT LAMP ASS'Y, water | 794340-55400 | | | 1 | 1 | | | |
| | PILOT LAMP ASS'Y, water | 194345-55100 | | | 1 | 1 | | | N |
| 65- 42 | .BULB 12V-3W | 194080-55840 | | | 2 | 2 | | | |
| 65- 43 | LAMP ASS'Y, oil pressure | 794130-55100 | | | 1 | 1 | | | |
| | LAMP ASS'Y, oil pressure | 194345-55120 | | | 1 | 1 | | | N |
| 65- 44 | .BULB 12V-3W | 194080-55840 | | | 2 | 2 | 10 | | |
| 65- 45 | SCREW M6 x 12 | 26587-060202 | | | 2 | 2 | 10 | | |
| 65- 46 | NUT M6 | 26716-060002 | | | 2 | 2 | 10 | | |
| 65- 47 | CABLE, connecting | 194340-51190 | | | 1 | 1 | | | Z |
| 65- 48 | SWITCH, safety starter | 194240-52190 | | | 1 | 1 | | | N |
| | SWITCH, safety starter | 194440-52190 | | | 1 | 1 | | | |
| 65- 49 | ROD (R), battery clamp | 194262-51380 | | | 1 | 1 | | | |
| | ROD (R), battery clamp | 194262-51381 | | | 1 | 1 | | | N |
| 65- 50 | HORN | 194151-57100 | | | 1 | 1 | | | |
| 65- 51 | BOLT M6 x 12 | 26097-060123 | | | 2 | 2 | 10 | | |
| | BOLT M6 x 12 | 26013-060123 | | | 2 | 2 | 10 | | N |
| | BOLT M6 x 12 | 26013-060129 | | | 2 | 2 | 10 | | N |
| 65- 52 | CLAMP, speed | 194202-56450 | | | 3 | 3 | | | W |
| 65- 53 | WASHER 6, plain | 22137-060000 | | | 4 | 4 | 10 | | W |

Fig. 66 ELECTRIC PARTS FRANCE) [YM135,YM135D]

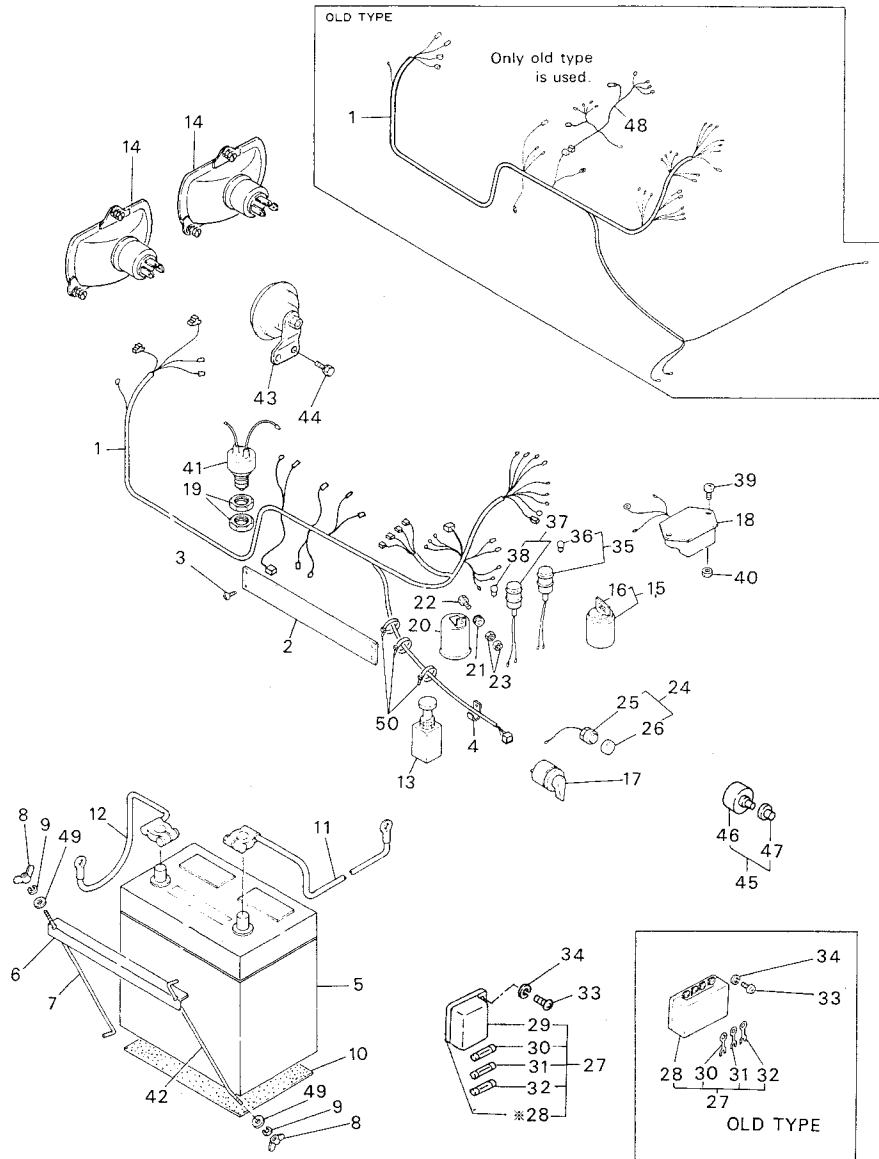


Fig. 66 ELECTRIC PARTS FRANCE) [YM135,YM135D]

| Refer. No. | Description | Part No. | Qty/Unit | | | Inter-changeability | Design-change Mark | Remarks |
|------------|-----------------------|--------------|----------|--------|-------|---------------------|--------------------|--------------------------------------|
| | | | YM135 | YM135D | YM135 | | | |
| 66- 1 | WIRE HARNESS, main | 194340-51102 | | | 1 | 1 | | |
| | WIRE HARNESS, main | 194340-51051 | | | 1 | 1 | S | YM135 -T/# 51621 YM135D-T/# 51716 |
| 66- 2 | COVER, cable | 194200-55470 | | | 1 | 1 | Z | |
| 66- 3 | SCREW 4 x 10, tapping | 22857-400100 | | | 4 | 4 | 10 | Z |
| 66- 4 | CLAMP | 194200-56400 | | | 1 | 1 | | |
| 66- 5 | BATTERY Y60-S4P | 194262-51301 | | | 1 | 1 | | |
| | BATTERY Y60-S4G | 194390-51300 | | | 1 | 1 | N | |
| 66- 6 | CLAMP, battery | 194262-51350 | | | 1 | 1 | | |
| 66- 7 | ROD, battery clamp | 194262-51370 | | | 1 | 1 | | |
| 66- 8 | NUT M6, wing | 26337-060002 | | | 2 | 2 | 10 | |
| 66- 9 | SPRING WASHER 6 | 22217-060000 | | | 2 | 2 | 10 | |
| 66- 10 | FELT 190x105x3 | 194262-51360 | | | 1 | 1 | | |
| 66- 11 | CABLE, battery plus | 194262-51200 | | | 1 | 1 | | |
| 66- 12 | CABLE, battery earth | 194200-51211 | | | 1 | 1 | | |
| 66- 13 | SWITCH, lighting | 194130-52121 | | | 1 | 1 | | |
| 66- 14 | LIGHT ASS'Y, head | 194262-53050 | | | 2 | 2 | | |
| 66- 15 | SWITCH, starting | 194155-52110 | | | 1 | 1 | | |
| 66- 16 | .KEY, starting switch | 194155-52190 | | | 1 | 1 | | |
| 66- 17 | SWITCH, turn signal | 194080-52131 | | | 1 | 1 | | |
| | SWITCH, turn signal | 194080-52132 | | | 1 | 1 | N | |
| 66- 18 | CURRENT LIMITER | 124660-77710 | | | 1 | 1 | | |
| 66- 19 | NUT M22 | 194240-52210 | | | 2 | 2 | 10 | |
| 66- 20 | RELAY, turn signal | 194080-57202 | | | 1 | 1 | | |
| 66- 21 | GROMMET 6 | 194200-57210 | | | 1 | 1 | 10 | |

*MARK PARTS: NOT SOLD SEPARATELY.

Fig. 66 ELECTRIC PARTS FRANCE) [YM135,YM135D]

| Refer. No. | Description | Part No. | Qty/Unit | | | | Sales Unit | Inter-changeability | Design-change Mark | Remarks |
|------------|--------------------------|--------------|----------|--------|-------|--------|------------|---------------------|--|---------|
| | | | YM155 | YM155D | YM135 | YM135D | | | | |
| 66- 22 | BOLT M5 x 16 | 26116-050162 | | | 1 | 1 | 10 | | | |
| 66- 23 | NUT M5 | 26716-050002 | | | 2 | 2 | 10 | | | |
| 66- 24 | SWITCH ASS'Y, horn | 794200-52100 | | | 1 | 1 | | W | | |
| 66- 25 | .SWITCH, horn | 194150-52160 | | | 1 | 1 | | | | |
| 66- 26 | .CAP, horn switch | 194150-52170 | | | 1 | 1 | | | | |
| 66- 27 | FUSE BOX ASS'Y | 794340-52200 | | | 1 | 1 | | | | |
| | FUSE BOX ASS'Y | 794345-52400 | | | 1 | 1 | | N | | |
| | FUSE BOX ASS'Y | 194440-52400 | | | 1 | 1 | | N | | |
| 66- 28 | .FUSE BOX | 194200-52210 | | | 1 | 1 | | | | |
| | .FUSE BOX | * | | | 1 | 1 | * | S | Not Sold Separately. (194440-52410) | |
| 66- 29 | .COVER, fuse box | 194440-52420 | | | 1 | 1 | | W | | |
| 66- 30 | .FUSE 5A | 194200-52220 | | | 3 | 3 | 10 | | Inc. 2 pcs. or spares. | |
| | .FUSE 5A | 194145-52820 | | | 1 | 1 | 10 | S | | |
| 66- 31 | .FUSE 10A | 194200-52230 | | | 6 | 6 | 10 | | Inc. 4 pcs. for spares. | |
| | .FUSE 10A | 194145-52830 | | | 2 | 2 | 10 | S | | |
| 66- 32 | .FUSE 15A | 194200-52240 | | | 3 | 3 | 10 | | Inc. 2 pcs. or spares. | |
| | .FUSE 15A | 194145-52840 | | | 2 | 2 | 10 | S | | |
| 66- 33 | SCREW M5 x 10 | 21557-050102 | | | 2 | 2 | 10 | | | |
| | SCREW M6 x 20 | 26587-060202 | | | 2 | 2 | 10 | S | | |
| 66- 34 | SPRING WASHER 5 | 22217-050000 | | | 2 | 2 | 10 | | | |
| 66- 35 | PILOT LAMP ASS'Y, water | 794340-55400 | | | 1 | 1 | | | | |
| | PILOT LAMP ASS'Y, water | 194345-55110 | | | 1 | 1 | | N | | |
| 66- 36 | .BULB 12V-3W | 194080-55840 | | | 1 | 1 | 10 | | | |
| 66- 37 | LAMP ASS'Y, oil pressure | 794130-55100 | | | 1 | 1 | | | | |
| 66- 38 | .BULB 12V-3W | 194080-55840 | | | 1 | 1 | 10 | | | |

Fig. 66 ELECTRIC PARTS FRANCE) [YM135,YM135D]

| Refer. No. | Description | Part No. | Qty/Unit | | | | Sales Unit | Inter-changeability | Design-change Mark | Remarks |
|------------|------------------------|--------------|----------|--------|-------|--------|------------|---------------------|--------------------|---------|
| | | | YM155 | YM155D | YM135 | YM135D | | | | |
| 66- 39 | SCREW 6 x 12 | 26587-060122 | | | 2 | 2 | 10 | | | |
| 66- 40 | NUT M6 | 26716-060002 | | | 2 | 2 | 10 | | | |
| 66- 41 | SWITCH, safety starter | 194240-52190 | | | 1 | 1 | | | | |
| | SWITCH, safety starter | 194440-52190 | | | 1 | 1 | | N | | |
| 66- 42 | ROD (R), battery clamp | 194262-51380 | | | 1 | 1 | | | | |
| | ROD (R), battery clamp | 194262-51381 | | | 1 | 1 | | N | | |
| 66- 43 | HORN | 194340-57100 | | | 1 | 1 | | | | |
| 66- 44 | BOLT M6 x 12 | 26097-060123 | | | 2 | 2 | 10 | | | |
| | BOLT M6 x 12 | 26013-060129 | | | 2 | 2 | 10 | N | | |
| 66- 45 | DIMMER SWITCH ASS'Y | 194340-52150 | | | 1 | 1 | | | | |
| 66- 46 | .DIMMER SWITCH | 194340-52160 | | | 1 | 1 | | | | |
| 66- 47 | .CAP, dimmer switch | 194340-52170 | | | 1 | 1 | | | | |
| 66- 48 | WIPE HARNESS, sub | 194340-51060 | | | 1 | 1 | | Z | | |
| 66- 49 | WASHER 6 | 22137-060000 | | | 2 | 2 | | | | |
| 66- 50 | CLAMP | 194202-56450 | | | 3 | 3 | | | | |

Fig. 67 HOOD (U.S.A. & S.AFRICA) [YM155,YM155D]

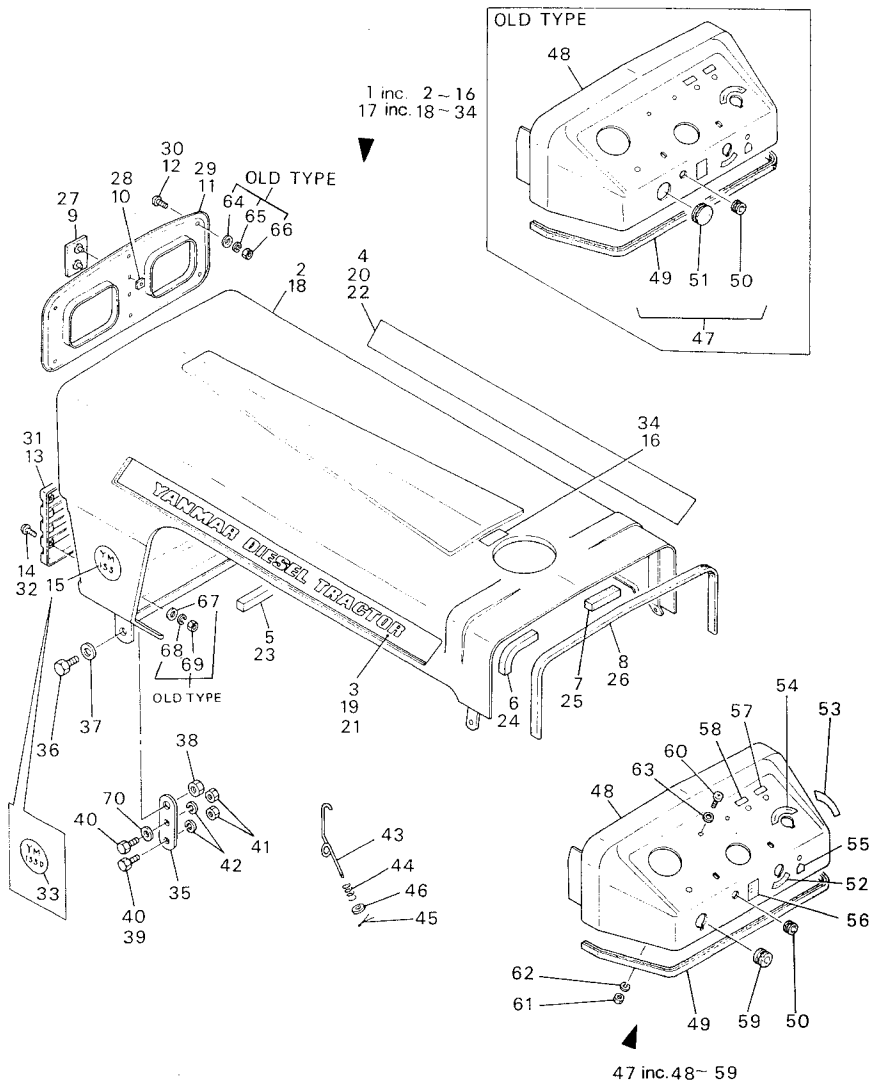


Fig. 67 HOOD (U.S.A. & S.AFRICA) [YM155,YM155D]

| Refer. No. | Description | Part No. | Q'ty/Unit | | | Inter-changeability | Design-change Mark | Remarks |
|------------|-------------------------|----------------|-----------|--------|-------|---------------------|--------------------|---------|
| | | | YM155 | YM155D | YM135 | | | |
| 67- 1 | HOOD ASS'Y | 194340-61000-P | 1 | | | | | |
| | HOOD ASS'Y | 194340-61000-R | 1 | | | | S | |
| 67- 2 | HOOD | 194340-61100-P | 1 | | | | | |
| | HOOD | 194340-61100-R | 1 | | | | S | |
| 67- 3 | MODEL PLATE (L) | 194340-65501 | 1 | | | | | |
| | MODEL PLATE (L) | 194340-65502 | 1 | | | | Z | |
| 67- 4 | MODEL PLATE (R) | 194340-65511 | 1 | | | | | |
| | MODEL PLATE (R) | 194340-65512 | 1 | | | | Z | |
| 67- 5 | LINNING, hood front | 194200-61220 | 1 | | | | | |
| | LINNING, hood front | 194345-61220 | 1 | | | | N | |
| 67- 6 | LINNING, hood left | 194200-61230 | 1 | | | | | |
| | LINNING, hood left | 194345-61230 | 1 | | | | N | |
| 67- 7 | LINNING, hood right | 194200-61240 | 1 | | | | | |
| | LINNING, hood right | 194345-61240 | 1 | | | | N | |
| 67- 8 | RUBBER, hood insulating | 194200-61250 | 1 | | | | | |
| 67- 9 | EMBLEM, front | 194262-61350 | 1 | | | | | |
| 67- 10 | NUT M5 | 194200-65610 | 2 | | | | | |
| 67- 11 | PANEL, hood upper | 194262-61330 | 1 | | | | | |
| 67- 12 | SCREW M4 x 12 | 26557-040122 | 6 | | | 10 | | |
| | SCREW M4 x 10, tapping | 22857-400100 | 6 | | | 10 | N | |
| 67- 13 | GRILLE, front | 194262-61240 | 1 | | | | | |
| 67- 14 | SCREW M4 x 12 | 26557-040122 | 6 | | | 10 | | |
| | SCREW M4 x 10, tapping | 22857-400100 | 6 | | | 10 | N | |
| 67- 15 | LABEL, side | 194340-64720 | 2 | | | | Z | |
| 67- 16 | LABEL, fuel indicating | 194240-65670 | 1 | | | | Z | |

Fig. 67 HOOD (U.S.A. & S.AFRICA) [YM155, YM155D]

| Refer. No. | Description | Part No. | Q'ty/Unit | | | | Sales Unit | Inter-change ability | Design-change Mark | Remarks |
|------------|--------------------------|----------------|-----------|--------|-------|--------|------------|----------------------|--------------------|---------|
| | | | YM155 | YM155D | YM135 | YM135D | | | | |
| 67- 17 | HOOD ASS'Y | 194341-61000 | 1 | | | | | | | |
| 67- 18 | .HOOD | 194340-61100-P | 1 | | | | | | | |
| | .HOOD | 194340-61100-R | 1 | | | | S | | | |
| 67- 19 | .MODEL PLATE (L) | 194340-65502 | 1 | | | | Z | | | |
| 67- 20 | .MODEL PLATE (R) | 194340-65512 | 1 | | | | Z | | | |
| 67- 21 | .MODEL PLATE (L) | 194341-65501 | 1 | | | | Z | | | |
| 67- 22 | .MODEL PLATE (R) | 194340-65511 | 1 | | | | Z | | | |
| 67- 23 | .LINING, hood front | 194200-61220 | 1 | | | | | | | |
| | .LINING, hood front | 194345-61220 | 1 | | | | N | | | |
| 67- 24 | .LINING, hood left | 194200-61230 | 1 | | | | | | | |
| | .LINING, hood left | 194345-61230 | 1 | | | | N | | | |
| 67- 25 | .LINING, hood right | 194200-61240 | 1 | | | | | | | |
| | .LINING, hood right | 194345-61240 | 1 | | | | N | | | |
| 67- 26 | .RUBBER, hood insulating | 194200-61250 | 1 | | | | | | | |
| 67- 27 | .EMBLEM, front | 194262-61350 | 1 | | | | | | | |
| 67- 28 | .NUT M5 | 194200-65610 | 2 | | | | | | | |
| 67- 29 | .PANEL, hood upper | 194262-61330 | 1 | | | | | | | |
| 67- 30 | .SCREW M4 x 12 | 26557-040122 | 6 | | | 10 | | | | |
| | .SCREW M4 x 10, tapping | 22857-040100 | 6 | | | 10 | | | | |
| 67- 31 | .GRILLE, front | 194262-61240 | 1 | | | | | | | |
| 67- 32 | .SCREW M4 x 12 | 26557-040122 | 6 | | | 10 | | | | |
| | .SCREW M4 x 10, tapping | 22857-040100 | 6 | | | 10 | | | | |
| 67- 33 | .LABEL, side | 194340-64720 | 2 | | | | Z | | | |
| | .LABEL, side | 194341-64720 | 2 | | | | Z | | | |
| 67- 34 | .LABEL, fuel indicating | 194240-65670 | 1 | | | | Z | | | |
| 67- 35 | PLATE, hood fulcrum | 194200-61260 | 2 | 2 | | | | | | |

Fig. 67 HOOD (U.S.A. & S.AFRICA) [YM155, YM155D]

| Refer. No. | Description | Part No. | Q'ty/Unit | | | | Sales Unit | Inter-change ability | Design-change Mark | Remarks |
|------------|-------------------------------|--------------|-----------|--------|-------|--------|------------|----------------------|--------------------|---------|
| | | | YM155 | YM155D | YM135 | YM135D | | | | |
| 67- 36 | BOLT M12 x 25 | 26116-120252 | 2 | 2 | | | 10 | | | |
| 67- 37 | WASHER 12, plain | 22117-120000 | 2 | 2 | | | 10 | | | |
| 67- 38 | U-NUT M12 | 26347-120002 | 2 | 2 | | | 10 | | | |
| | U-NUT M12 | 26346-120002 | 2 | 2 | | | 10 | N | | |
| 67- 39 | BOLT M8 x 20 | 26116-080202 | 3 | 3 | | | 10 | Z | | |
| 67- 40 | BOLT M8 x 25 | 26116-080252 | 1 | 1 | | | 10 | | | |
| | BOLT M8 x 25 | 26116-080252 | 4 | 4 | | | 10 | K | | |
| 67- 41 | NUT M8 | 26716-080002 | 4 | 4 | | | 10 | | | |
| 67- 42 | SPRING WASHER 8 | 22217-080000 | 4 | 4 | | | 10 | | | |
| 67- 43 | HOOK, hood | 194200-61450 | 2 | 2 | | | | | | |
| 67- 44 | SPRING, hook | 194200-61490 | 2 | 2 | | | | | | |
| 67- 45 | COTTER PIN 2 x 10 | 22417-200100 | 2 | 2 | | | 10 | | | |
| 67- 46 | WASHER 10, plain | 22117-100000 | 2 | 2 | | | 10 | | | |
| 67- 47 | PANEL BOX ASS'Y | 194340-61500 | 1 | 1 | | | | | | |
| | PANEL BOX ASS'Y | 794340-61501 | 1 | 1 | | | | N | | |
| 67- 48 | .INSTRUMENT PANEL | 194200-61520 | 1 | 1 | | | | | | |
| | .INSTRUMENT PANEL | 194200-61521 | 1 | 1 | | | | N | | |
| | .INSTRUMENT PANEL | 194200-61522 | 1 | 1 | | | | N | | |
| 67- 49 | .RUBBER, panel box insulating | 194200-61550 | 1 | 1 | | | | | | |
| 67- 50 | .GROMMET 9 | 1A1040-59470 | 1 | 1 | | | | | | |
| 67- 51 | .CAP 27, rubber | 194200-61560 | 1 | 1 | | | | Z | | |
| 67- 52 | .LABEL, turn signal | 194150-65360 | 1 | 1 | | | | Z | | |
| 67- 53 | .LABEL, throttle lever | 194240-65430 | 1 | 1 | | | | Z | | |
| 67- 54 | .LABEL, key switch | 194740-99300 | 1 | 1 | | | | | | |
| | .LABEL, key switch | 194340-65720 | 1 | 1 | | | | N | | |
| | .LABEL, key switch | 194340-65720 | 1 | 1 | | | | Z | | |

Fig. 67 HOOD (U.S.A. & S.AFRICA) [YM155, YM155D]

MEMO

| Refer. No. | Description | Part No. | Qty/Unit | | | | Sales Unit | Inter-change-ability | Design-change Mark | Remarks |
|------------|----------------------------------|--------------|----------|--------|-------|--------|------------|----------------------|-----------------------|---------|
| | | | YM155 | YM155D | YM155 | YM155D | | | | |
| 67- 55 | .LABEL, horn switch | 194130-65380 | 1 | 1 | | | | Z | | |
| 67- 56 | .LABEL, decompression indication | 194340-65590 | 1 | 1 | | | | Z | | |
| 67- 57 | .LABEL, pilot lamp | 194190-99240 | 1 | 1 | | | | Z | | |
| 67- 58 | .LABEL, oil pressure lamp | 194081-99230 | 1 | 1 | | | | Z | | |
| 67- 59 | .CAP 20, rubber | 194300-21450 | 1 | 1 | | | | N | YM155 from No. 51417 | |
| | .CAP 20, rubber | 194340-61610 | 1 | 1 | | | | Z | YM155D from No. 52799 | |
| 67- 60 | SCREW M6 x 16 | 26587-060162 | 4 | 4 | | 10 | | | | |
| 67- 61 | NUT M6 | 26716-060002 | 4 | 4 | | 10 | | | | |
| 67- 62 | SPRING WASHER 6 | 22217-060000 | 4 | 4 | | 10 | | | | |
| 67- 63 | WASHER 6, plain | 22117-060000 | 4 | 4 | | 10 | | | | |
| 67- 64 | WASHER 4, plain | 22137-040000 | 6 | 6 | | 10 | Z | | | |
| 67- 65 | SPRING WASHER 4 | 22217-040000 | 6 | 6 | | 10 | Z | | | |
| 67- 66 | NUT M4 | 26716-040002 | 6 | 6 | | 10 | Z | | | |
| 67- 67 | WASHER 4, plain | 22137-040000 | 6 | 6 | | 10 | Z | | | |
| 67- 68 | SPRING WASHER 4 | 22217-040000 | 6 | 6 | | 10 | Z | | | |
| 67- 69 | NUT M4 | 26716-040002 | 6 | 6 | | 10 | Z | | | |

Fig. 68 HOOD (FRANCE) [YM155,YM155D]

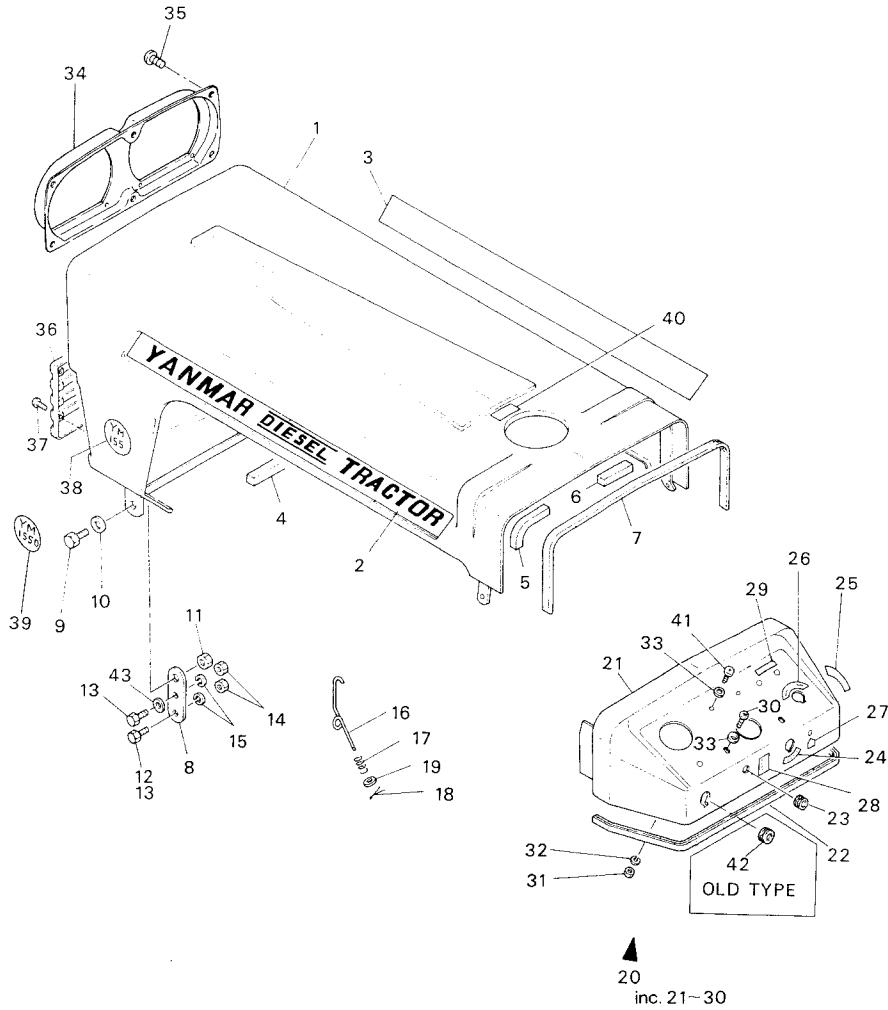


Fig. 68 HOOD (FRANCE) [YM155,YM155D]

| Refer. No. | Description | Part No. | Qty/Unit | | | | Inter-changeability | Design-change Mark | Remarks |
|------------|-------------------------|----------------|----------|--------|-------|--------|---------------------|--|---------|
| | | | YM155 | YM155D | YM135 | YM135D | | | |
| 68- 1 | HOOD | 194340-61100-R | 1 | 1 | | | | | |
| 68- 2 | MODEL PLATE (L) | 194340-65502 | 1 | 1 | | | | As to change history, refer to item "LABEL". | |
| 68- 3 | MODEL PLATE (R) | 194340-65512 | 1 | 1 | | | | | |
| 68- 4 | LINING, hood front | 194200-61220 | 1 | 1 | | | | | |
| | LINING, hood front | 194345-61220 | 1 | 1 | | | N | | |
| 68- 5 | LINING, hood left | 194200-61230 | 1 | 1 | | | | | |
| | LINING, hood left | 194345-61230 | 1 | 1 | | | N | | |
| 68- 6 | LINING, hood right | 194200-61240 | 1 | 1 | | | | | |
| | LINING, hood right | 194345-61240 | 1 | 1 | | | N | | |
| 68- 7 | RUBBER, hood insulating | 194200-61250 | 1 | 1 | | | | | |
| 68- 8 | PLATE, hood fulcrum | 194200-61260 | 2 | 2 | | | | | |
| 68- 9 | BOLT M12 x 25 | 26116-120252 | 2 | 2 | | 10 | | | |
| 68- 10 | WASHER 12, plain | 22117-120000 | 2 | 2 | | 10 | | | |
| 68- 11 | U-NUT M12 | 26347-120002 | 2 | 2 | | 10 | N | | |
| | U-NUT M12 | 26346-120002 | 2 | 2 | | 10 | | | |
| 68- 12 | BOLT M8 x 20 | 26116-080202 | 3 | 3 | | 10 | Z | | |
| 68- 13 | BOLT M8 x 25 | 26116-080252 | 1 | 1 | | 10 | | | |
| | BOLT M8 x 25 | 26116-080252 | 4 | 4 | | 10 | K | | |
| 68- 14 | NUT M8 | 26716-080002 | 4 | 4 | | 10 | | | |
| 68- 15 | SPRING WASHER 8 | 22217-080000 | 4 | 4 | | 10 | | | |
| 68- 16 | HOOK, hood | 194200-61450 | 2 | 2 | | | | | |
| 68- 17 | SPRING, hook | 194200-61490 | 2 | 2 | | | | | |
| 68- 18 | COTTER PIN 2 x 10 | 22417-200100 | 2 | 2 | | 10 | | | |
| 68- 19 | WASHER 10, plain | 22117-100000 | 2 | 2 | | 10 | | | |

Fig. 68 HOOD (FRANCE) [YM155, YM155D]

M E M O

| Refer. No. | Description | Part No. | Qty/Unit | | | | Sales Unit | Inter-change ability | Design-change Mark | Remarks |
|------------|----------------------------------|--------------|----------|--------|-------|--------|------------|----------------------|---|---------|
| | | | YM155 | YM155D | YM135 | YM135D | | | | |
| 68- 20 | PANEL BOX ASS'Y | 794340-61501 | 1 | 1 | | | | | | |
| 68- 21 | .INSTRUMENT PANEL | 194200-61522 | 1 | 1 | | | | | | |
| 68- 22 | .RUBBER, panel box insulating | 194200-61550 | 1 | 1 | | | | | | |
| 68- 23 | .GROMMET 9 | 1A1040-59470 | 1 | 1 | | | | | | |
| 68- 24 | .LABEL, turn signal | 194240-98260 | 1 | 1 | | | | | | |
| 68- 25 | .LABEL, throttle lever | 194240-65431 | 1 | 1 | | | | | | |
| 68- 26 | .LABEL, key switch | 194240-98250 | 1 | 1 | | | | | | |
| 68- 27 | .LABEL, horn switch | 194130-65380 | 1 | 1 | | | | | | |
| 68- 28 | .LABEL, decompression indication | 194340-98270 | 1 | 1 | | | | | | |
| 68- 29 | .LABEL, pilot lamp | 194340-98240 | 1 | 1 | | | | | | |
| 68- 30 | .SCREW M6 x 16 | 26587-060162 | 2 | 2 | | 10 | | | | |
| 68- 31 | NUT M6 | 26716-060002 | 4 | 4 | | 10 | | | | |
| 68- 32 | SPRING WASHER 6 | 22217-060000 | 4 | 4 | | 10 | | | | |
| 68- 33 | WASHER 6, plain | 22117-060000 | 4 | 4 | | 10 | | | | |
| 68- 34 | PANEL, hood upper | 194340-61330 | 1 | 1 | | | | | | |
| 68- 35 | SCREW M4 x 10, tapping | 22857-040100 | 6 | 6 | | 10 | | | | |
| | SCREW M4 x 10, tapping | 22857-400100 | 6 | 6 | | 10 | N | | | |
| 68- 36 | GRILLE, front | 194262-61240 | 1 | 1 | | | | | | |
| 68- 37 | SCREW M4 x 10, tapping | 22857-040100 | 6 | 6 | | 10 | | | | |
| | SCREW M4 x 10, tapping | 22857-400100 | 6 | 6 | | 10 | N | | | |
| 68- 38 | LABEL, side | 194340-64720 | 2 | | | | | | | |
| 68- 39 | LABEL, side | 194341-64720 | | 2 | | | | | | |
| 68- 40 | LABEL, fuel indicating | 194240-98220 | 1 | 1 | | | | | | |
| 68- 41 | SCREW M6 x 30 | 26587-060302 | 2 | 2 | | 10 | | | 51456 | |
| | SCREW M6 x 35 | 26587-060352 | 2 | 2 | | 10 | S | | YM155 from No. 51447 YM155D from No. 51172 | |
| 68- 42 | CAP 20, rubber | 194300-21450 | 1 | 1 | | | | | 51417 | |
| | CAP 20, rubber | 194340-61610 | 1 | 1 | | | N | | YM155 from No. 51450 YM155D from No. 52799 | |
| | CAP 20, rubber | 194340-61610 | 1 | 1 | | | Z | | YM135 from No. 51183 YM135D from No. 51209 | |
| 68- 43 | WASHER 8 | 22117-080000 | 2 | 2 | | 10 | | | | |

Fig. 69 HOOD (ENGLAND) [YM155,YM155D]

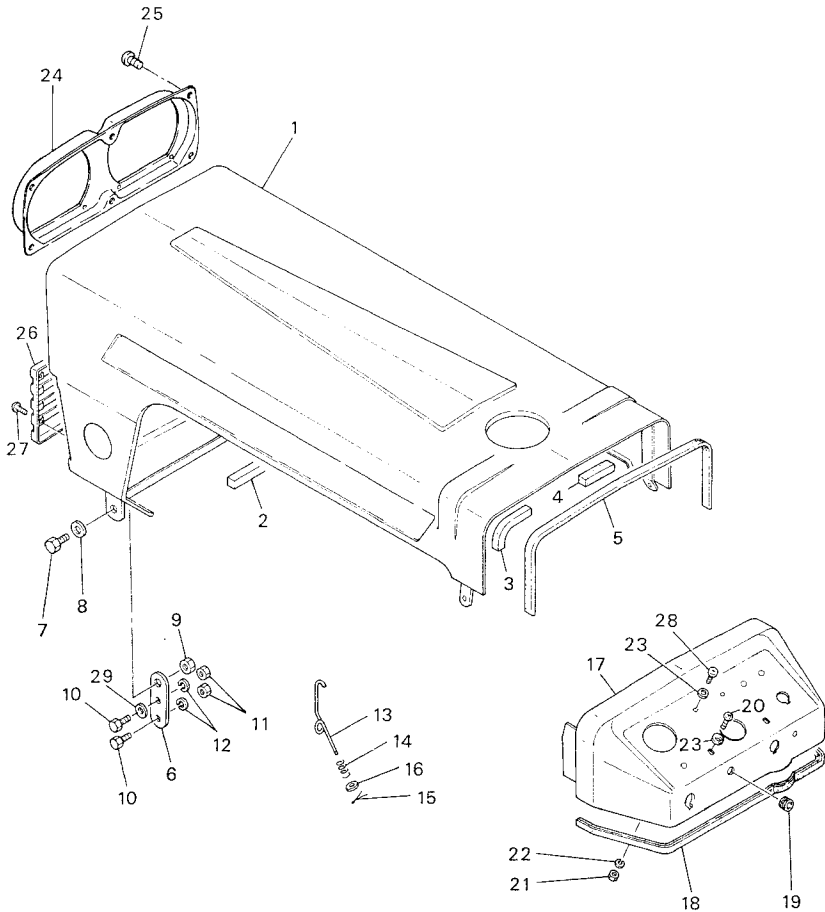


Fig. 69 HOOD (ENGLAND) [YM155,YM155D]

| Refer. No. | Description | Part No. | Q'ty./Unit | | | Sales Unit | Inter-changeability | Design-change Mark | Remarks |
|------------|------------------------------|----------------|------------|--------|-------|------------|---------------------|--------------------|---------|
| | | | YM155 | YM155D | YM155 | | | | |
| 69- 1 | HOOD | 194340-61100-R | 1 | 1 | | | | | |
| 69- 2 | LINING, hood front | 194345-61220 | 1 | 1 | | | | | |
| 69- 3 | LINING, hood left | 194345-61230 | 1 | 1 | | | | | |
| 69- 4 | LINING, hood right | 194345-61240 | 1 | 1 | | | | | |
| 69- 5 | RUBBER, hood insulating | 194200-61250 | 1 | 1 | | | | | |
| 69- 6 | PLATE, hood fulcrum | 194200-61260 | 2 | 2 | | | | | |
| 69- 7 | BOLT M12 x 25 | 26116-120252 | 2 | 2 | | 10 | | | |
| 69- 8 | WASHER 12, plain | 22117-120000 | 2 | 2 | | 10 | | | |
| 69- 9 | U-NUT M12 | 26346-120002 | 2 | 2 | | 10 | | | |
| 69- 10 | BOLT M8 x 25 | 26116-080252 | 4 | 4 | | 10 | | | |
| 69- 11 | NUT M8 | 26716-080002 | 4 | 4 | | 10 | | | |
| 69- 12 | SPRING WASHER 8 | 22217-080000 | 4 | 4 | | 10 | | | |
| 69- 13 | HOOK, hood | 194200-61450 | 2 | 2 | | | | | |
| 69- 14 | SPRING, hook | 194200-61490 | 2 | 2 | | | | | |
| 69- 15 | COTTER PIN 2 x 10 | 22417-200100 | 2 | 2 | | 10 | | | |
| 69- 16 | WASHER 10, plain | 22117-100000 | 2 | 2 | | 10 | | | |
| 69- 17 | INSTRUMENT PANEL | 194340-61520 | 1 | 1 | | | | | |
| 69- 18 | RUBBER, panel box insulating | 194200-61550 | 1 | 1 | | | | | |
| 69- 19 | GROMMET 9 | 1A1040-59470 | 1 | 1 | | | | | |
| 69- 20 | SCREW M6 x 16 | 26587-060162 | 2 | 2 | | 10 | | | |
| 69- 21 | NUT M6 | 26716-060002 | 4 | 4 | | 10 | | | |
| 69- 22 | SPRING WASHER 6 | 22217-060000 | 4 | 4 | | 10 | | | |
| 69- 23 | WASHER 6, plain | 22117-060000 | 4 | 4 | | 10 | | | |
| 69- 24 | PANEL, hood upper | 194340-61330 | 1 | 1 | | | | | |
| 69- 25 | SCREW M4 x 10, tapping | 22857-400100 | 6 | 6 | | 10 | | | |
| 69- 26 | GRILL, front | 194262-61240 | 1 | 1 | | | | | |
| 69- 27 | SCREW M4 x 10, tapping | 22857-400100 | 6 | 6 | | 10 | | | |
| 69- 28 | SCREW M6 x 35 | 26587-060352 | 2 | 2 | | 10 | | | |
| 69- 29 | WASHER 8 | 22117-080000 | 2 | 2 | | | | | |

Fig. 70 HOOD (PORTUGAL) [YM155,YM155D]

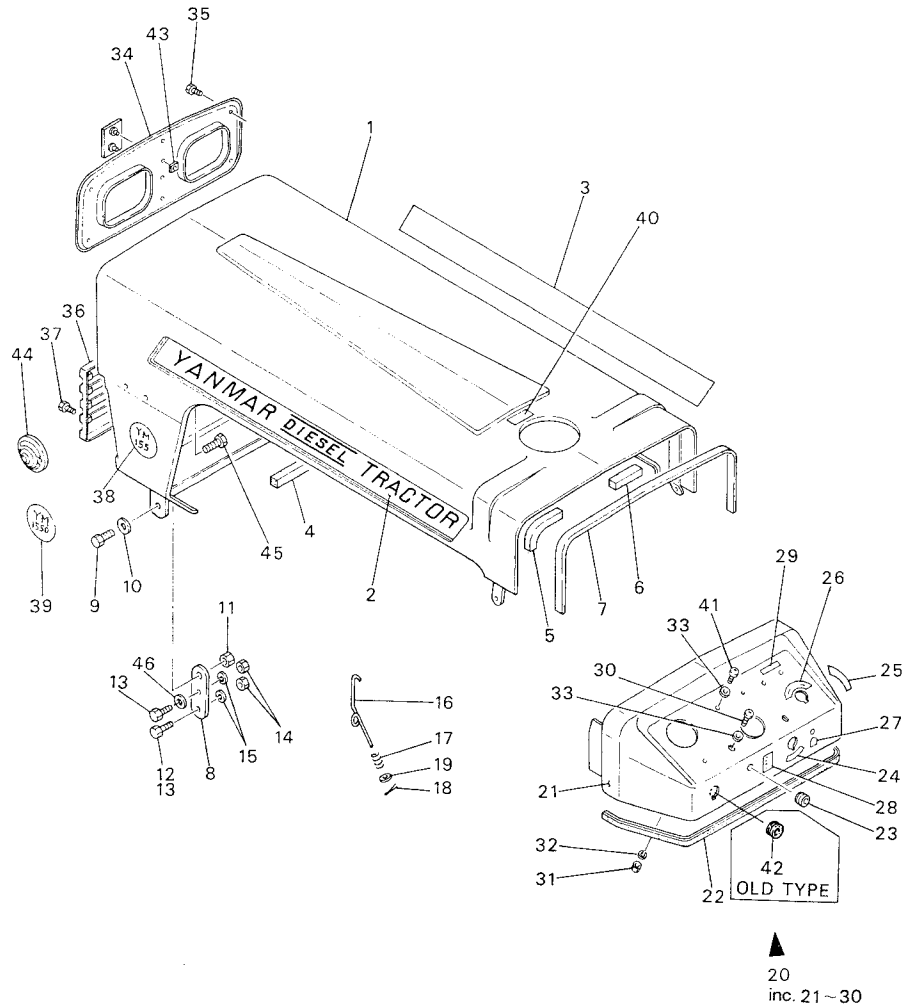


Fig. 70 HOOD (PORTUGAL) [YM155,YM155D]

| Refer. No. | Description | Part No. | Q'ty/Unit | | | Sales Unit | Inter-changeability | Design-change Mark | Remarks |
|------------|-------------------------|----------------|-----------|--------|-------|------------|---------------------|--|---------|
| | | | YM155 | YM155D | YM135 | | | | |
| 70- 1 | HOOD | 194340-61100-R | 1 | 1 | | | | | |
| | HOOD | 194340-61400 | 1 | 1 | | | | | |
| 70- 2 | MODEL PLATE (L) | 194340-65502 | 1 | 1 | | | Z | As to change history, refer to item "LABEL". | |
| 70- 3 | MODEL PLATE (R) | 194340-65512 | 1 | 1 | | | Z | | |
| 70- 4 | LINING, hood front | 194200-61220 | 1 | 1 | | | | | |
| | LINING, hood front | 194345-61220 | 1 | 1 | | | | | |
| 70- 5 | LINING, hood left | 194200-61230 | 1 | 1 | | | | | |
| | LINING, hood left | 194345-61230 | 1 | 1 | | | | | |
| 70- 6 | LINING, hood right | 194200-61240 | 1 | 1 | | | | | |
| | LINING, hood right | 194345-61240 | 1 | 1 | | | | | |
| 70- 7 | RUBBER, hood insulating | 194200-61250 | 1 | 1 | | | | | |
| 70- 8 | PLATE, hood fulcrum | 194200-61260 | 2 | 2 | | | | | |
| 70- 9 | BOLT M12 x 25 | 26116-120252 | 2 | 2 | | 10 | | | |
| 70- 10 | WASHER 12, plain | 22117-120000 | 2 | 2 | | 10 | | | |
| 70- 11 | U-NUT M12 | 26347-120002 | 2 | 2 | | 10 | N | | |
| | U-NUT M12 | 26346-120002 | 2 | 2 | | 10 | | | |
| 70- 12 | BOLT M8 x 20 | 26116-080202 | 3 | 3 | | 10 | | | |
| 70- 13 | BOLT M8 x 25 | 26116-080252 | 1 | 1 | | 10 | | | |
| | BOLT M8 x 25 | 26116-080252 | 4 | 4 | | 10 | K | | |
| 70- 14 | NUT M8 | 26716-080002 | 4 | 4 | | 10 | | | |
| 70- 15 | SPRING WASHER 8 | 22217-080000 | 4 | 4 | | 10 | | | |
| 70- 16 | HOOK, hood | 194200-61450 | 2 | 2 | | | | | |
| 70- 17 | SPRING, hook | 194200-61490 | 2 | 2 | | | | | |
| 70- 18 | COTTER PIN 2 x 10 | 22417-200100 | 2 | 2 | | 10 | | | |
| 70- 19 | WASHER 10, plain | 22117-100000 | 2 | 2 | | 10 | | | |

Fig. 70 HOOD (PORTUGAL) [YM155, YM155D]

| Refer. No. | Description | Part No. | Q'ty/Unit | | | | Sales Unit | Inter-change ability | Design-change Mark | Remarks |
|------------|-------------------------------|---------------|-----------|--------|-------|--------|------------|----------------------|---|---------|
| | | | YM155 | YM155D | YM135 | YM135D | | | | |
| 70- 20 | PANEL BOX ASS'Y | 794340-61501 | 1 | 1 | | | | | | |
| 70- 21 | .INSTRUMENT PANEL | 194200-61522 | 1 | 1 | | | | | | |
| 70- 22 | .RUBBER, panel box insulating | 194200-61550 | 1 | 1 | | | | | | |
| 70- 23 | .GROMMET 9 | 1A1040-59470 | 1 | 1 | | | | | | |
| 70- 24 | .LABEL, turn signal | 194240-98260 | 1 | 1 | | | Z | | | |
| 70- 25 | .LABEL, throttle lever | 194240-65431 | 1 | 1 | | | Z | | | |
| 70- 26 | .LABEL, key switch | 194240-98250 | 1 | 1 | | | Z | | | |
| 70- 27 | .LABEL, horn switch | 194130-65380 | 1 | 1 | | | Z | | | |
| 70- 28 | .LABEL, decompression | 194340-98270 | 1 | 1 | | | Z | | | |
| 70- 29 | .LABEL, pilot lamp indication | 194340-98240 | 1 | 1 | | | Z | | | |
| 70- 30 | .SCREW M6 x 16 | 26587-060162 | 2 | 2 | | 10 | | | | |
| 70- 31 | NUT M6 | 26716-060002 | 4 | 4 | | 10 | | | | |
| 70- 32 | SPRING WASHER 6 | 22217-060000 | 4 | 4 | | 10 | | | | |
| 70- 33 | WASHER 6, plain | 22117-060000 | 4 | 4 | | 10 | | | | |
| 70- 34 | PANEL, hood upper | 194340-61330 | 1 | 1 | | | | | | |
| 70- 35 | SCREW M4 x 10, tapping | 22857-040100 | 6 | 6 | | 10 | | | | |
| 70- 36 | GRILL, front | 194262-61240 | 1 | 1 | | | | | | |
| 70- 37 | SCREW M4 x 10, tapping | 22857-040100 | 6 | 6 | | 10 | | | | |
| 70- 38 | LABEL, side | 194340-64720 | 2 | | | | Z | | | |
| 70- 39 | LABEL, side | 194341-64720 | | 2 | | | Z | | | |
| 70- 40 | LABEL, fuel indicating | 194240-98220 | 1 | 1 | | | Z | | | |
| 70- 41 | SCREW M6 x 30 | 26587-060302 | 2 | 2 | | 10 | | | | |
| 70- 42 | CAP 20, rubber | 194300-21450 | 1 | 1 | | | | | | |
| | CAP 20, rubber | 194340-61610 | 1 | 1 | | | N | | YM155 from No. 51417 YM155D from No. 52799 | |
| | CAP 20, rubber | 194340-61610 | 1 | 1 | | | Z | | | |
| 70- 43 | NUT M5 | 194200-65610 | 2 | 2 | | 10 | | | | |
| 70- 44 | LIGHT, side mark | Local Prepare | 2 | 2 | | | | | | |
| 70- 45 | BOLT | Local Prepare | 4 | 4 | | | | | | |
| 70- 46 | WASHER 8 | 22117-080000 | 2 | 2 | | 10 | | | | |

Fig. 71 HOOD (U.S.A.) [YM135,YM135D]

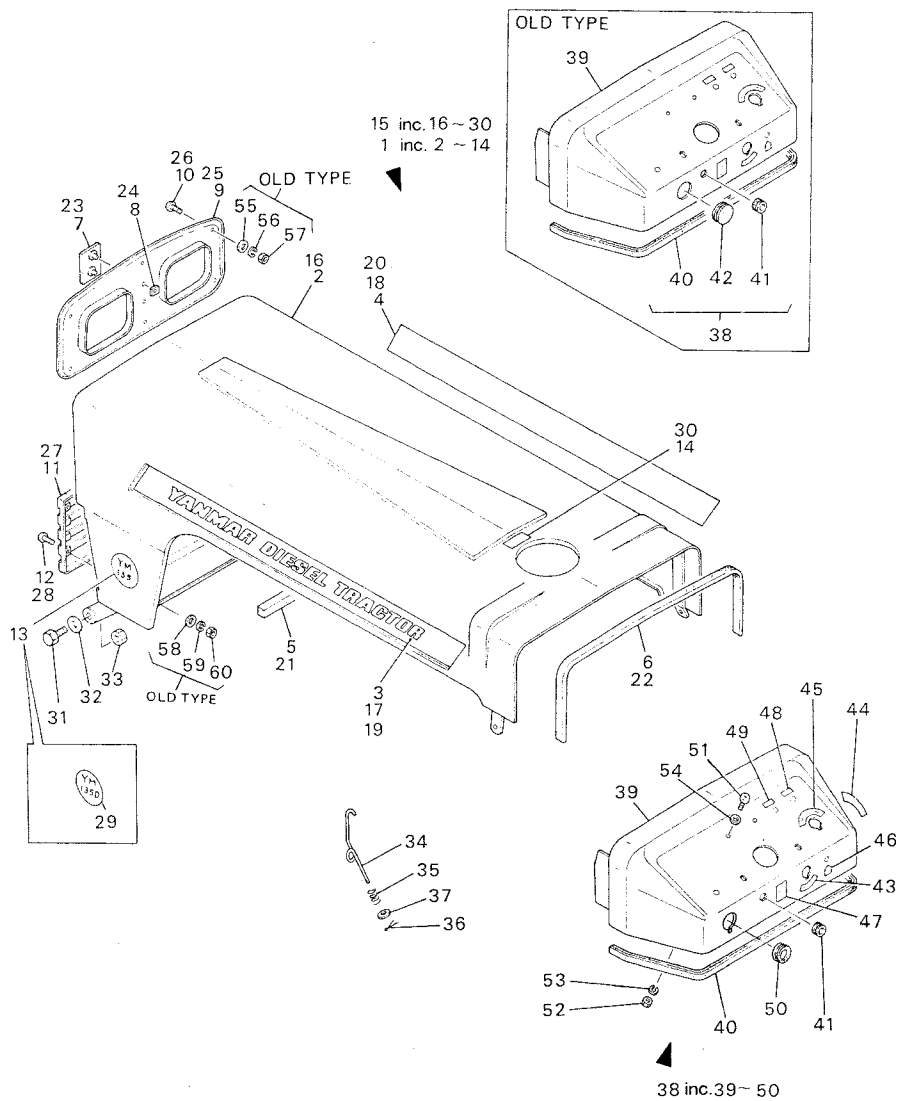


Fig. 71 HOOD (U.S.A.) [YM135,YM135D]

| Refer. No. | Description | Part No. | Qty/Unit | | | | Inter-changeability | Design-change Mark | Remarks |
|------------|--------------------------|----------------|----------|--------|-------|--------|---------------------|--------------------|---------|
| | | | YM155 | YM135D | YM135 | YM135D | | | |
| 71- 1 | .HOOD ASS'Y | 194390-61000-P | | | 1 | | | | |
| 71- 2 | .HOOD | 194390-61100-P | | | 1 | | | | |
| | .HOOD | 194262-61101-P | | | 1 | | | [1] | |
| 71- 3 | .MODEL PLATE (L) | 194390-65500 | | | 1 | | | [1] | |
| | .MODEL PLATE (L) | 194390-65501 | | | 1 | | Z | | |
| 71- 4 | .MODEL PLATE (R) | 194390-65510 | | | 1 | | | [1] | |
| | .MODEL PLATE (R) | 194390-65511 | | | 1 | | Z | | |
| 71- 5 | .LINING, hood front | 194200-61220 | | | 2 | | | | |
| 71- 6 | .RUBBER, hood insulating | 194200-61250 | | | 1 | | | | |
| 71- 7 | .EMBLEM, front | 194262-61350 | | | 1 | | | | |
| 71- 8 | .NUT M5 | 194200-65610 | | | 2 | | | | |
| 71- 9 | .PANEL, hood upper | 194262-61330 | | | 1 | | | | |
| 71- 10 | .SCREW M4 x 12 | 26557-040122 | | | 6 | 10 | | | |
| | .SCREW M4 x 10, tapping | 22857-400100 | | | 6 | 10 | N | | |
| 71- 11 | .GRILLE, front | 194262-61240 | | | 1 | 10 | | | |
| 71- 12 | .SCREW M4 x 12 | 26557-040122 | | | 6 | 10 | | | |
| | .SCREW M4 x 10, tapping | 22857-400100 | | | 6 | 10 | N | | |
| 71- 13 | .LABEL, side | 194340-64720 | | | 2 | 10 | Z | | |
| 71- 14 | .LABEL, fuel indicating | 194240-65670 | | | 1 | 10 | Z | | |
| 71- 15 | HOOD ASS'Y | 194391-61000 | | | 1 | | | | |
| 71- 16 | .HOOD | 194390-61100 | | | 1 | | | | |
| | .HOOD | 194262-61101-P | | | 1 | | N | [1] | |
| 71- 17 | .MODEL PLATE (L) | 194390-65501 | | | 1 | | Z | | |
| 71- 18 | .MODEL PLATE (R) | 194390-65511 | | | 1 | | Z | | |
| 71- 19 | .MODEL PLATE (L) | 194391-65500 | | | 1 | | Z | | |
| | .MODEL PLATE (L) | 194391-65501 | | | 1 | | Z | | |
| 71- 20 | .MODEL PLATE (R) | 194391-65510 | | | 1 | | Z | | |
| | .MODEL PLATE (R) | 194391-65511 | | | 1 | | Z | | |

Fig. 71 HOOD (U.S.A.) [YM135, YM135D]

| Refer. No. | Description | Part No. | Qty/Unit | | | | Interchangeability | Design-change Mark | Remarks |
|------------|--------------------------|--------------|----------|--------|-------|--------|--------------------|--------------------|---------|
| | | | YM155 | YM155D | YM135 | YM135D | | | |
| 71- 21 | .LINNING, hood front | 194200-61220 | | | 2 | | | | |
| 71- 22 | .RUBBER, hood insulating | 194200-61250 | | | 1 | | | | |
| 71- 23 | .EMBLEM, front | 194262-61350 | | | 1 | | | | |
| 71- 24 | .NUT M5 | 194200-65610 | | | 2 | | | | |
| 71- 25 | .PANEL, hood upper | 194262-61330 | | | 1 | | | | |
| 71- 26 | .SCREW M4 x 12 | 26557-040122 | | | 6 10 | | | | |
| | .SCREW M4 x 10, tapping | 22857-400100 | | | 6 10 | N | | | |
| 71- 27 | .GRILLE, front | 194262-61240 | | | 1 10 | | | | |
| 71- 28 | .SCREW M4 x 12 | 26557-040122 | | | 6 10 | | | | |
| | .SCREW M4 x 10, tapping | 22857-400100 | | | 6 10 | N | | | |
| 71- 29 | .LABEL, side | 194340-64720 | | | 2 10 | Z | | | |
| 71- 30 | .LABEL, fuel indicating | 194240-65670 | | | 1 10 | Z | | | |
| 71- 31 | BOLT M12 x 35 | 26116-120352 | | 2 | 2 10 | | | | |
| 71- 32 | WASHER 12, plain | 22117-120000 | | 2 | 2 10 | | | | |
| 71- 33 | U-NUT M12 | 26347-120002 | | 2 | 2 10 | | | | |
| | U-NUT M12 | 26346-120002 | | 2 | 2 10 | N | | | |
| 71- 34 | HOOK, hood | 194262-61450 | | 2 | 2 | | | | |
| 71- 35 | SPRING, hook | 194262-61490 | | 2 | 2 | | | | |
| 71- 36 | COTTER PIN 3 x 10 | 22417-200100 | | 2 | 2 10 | | | | |
| 71- 37 | WASHER 10, plain | 22117-100000 | | 2 | 2 10 | | | | |

Fig. 71 HOOD (U.S.A.) [YM135, YM135D]

| Refer. No. | Description | Part No. | Qty/Unit | | | | Interchangeability | Design-change Mark | Remarks |
|------------|----------------------------------|--------------|----------|--------|-------|--------|--------------------|---|---------|
| | | | YM155 | YM155D | YM135 | YM135D | | | |
| 71- 38 | PANEL BOX ASS'Y | 794390-61501 | | | 1 1 | | | | |
| | PANEL BOX ASS'Y | 794390-61502 | | | 1 1 | N | | YM135 from No. 51183 YM135D from No. 51209 | |
| 71- 39 | .INSTRUMENT PANEL | 194262-61501 | | | 1 1 | | | | |
| | .INSTRUMENT PANEL | 194262-61502 | | | 1 1 | N | | YM135 from No. 51183 YM135D from No. 51209 | |
| 71- 40 | .RUBBER, panel box insulating | 194200-61550 | | | 1 1 | | | | |
| 71- 41 | .GROMMET 9 | 1A1040-59470 | | | 1 1 | | | | |
| 71- 42 | .CAP 27, rubber | 194200-61560 | | | 1 1 | Z | | | |
| 71- 43 | .LABEL, turn signal | 194150-65360 | | | 1 1 | Z | | | |
| 71- 44 | .LABEL, throttle lever | 194240-65430 | | | 1 1 | Z | | | |
| 71- 45 | .LABEL, key switch | 194340-65720 | | | 1 1 | Z | | | |
| 71- 46 | .LABEL, horn switch | 194130-65380 | | | 1 1 | Z | | | |
| 71- 47 | .LABEL, decompression indication | 194340-65590 | | | 1 1 | Z | | | |
| 71- 48 | .LABEL, pilot lamp | 194190-99240 | | | 1 1 | Z | | | |
| 71- 49 | .LABEL, oil pressure lamp | 194081-99230 | | | 1 1 | Z | | | |
| 71- 50 | .CAP 20, rubber | 194340-61610 | | | 1 1 | W | | YM135 from No. 51183 YM135D from No. 51209 | |
| | .CAP 20, rubber | 194340-61610 | | | 1 1 | Z | | | |
| 71- 51 | SCREW M6 x 16 | 26587-060162 | | 4 | 4 10 | | | | |
| 71- 52 | NUT M6 | 26716-060002 | | 4 | 4 10 | | | | |
| 71- 53 | SPRING WASHER 6 | 22217-060000 | | 4 | 4 10 | | | | |
| 71- 54 | WASHER 6, plain | 22117-060000 | | 4 | 4 10 | | | | |
| 71- 55 | WASHER 4, plain | 22137-040000 | | 6 | 6 10 | Z | | | |
| 71- 56 | SPRING WASHER 4 | 22217-040000 | | 6 | 6 10 | Z | | | |
| 71- 57 | NUT M4 | 26716-040002 | | 6 | 6 10 | Z | | | |
| 71- 58 | WASHER 4, plain | 22137-040000 | | 6 | 6 10 | Z | | | |
| 71- 59 | SPRING WASHER 4 | 22217-040000 | | 6 | 6 10 | Z | | | |
| 71- 60 | NUT M4 | 26716-040002 | | 6 | 6 10 | Z | | | |

Fig. 72 HOOD (FRANCE) [YM135,YM135D]

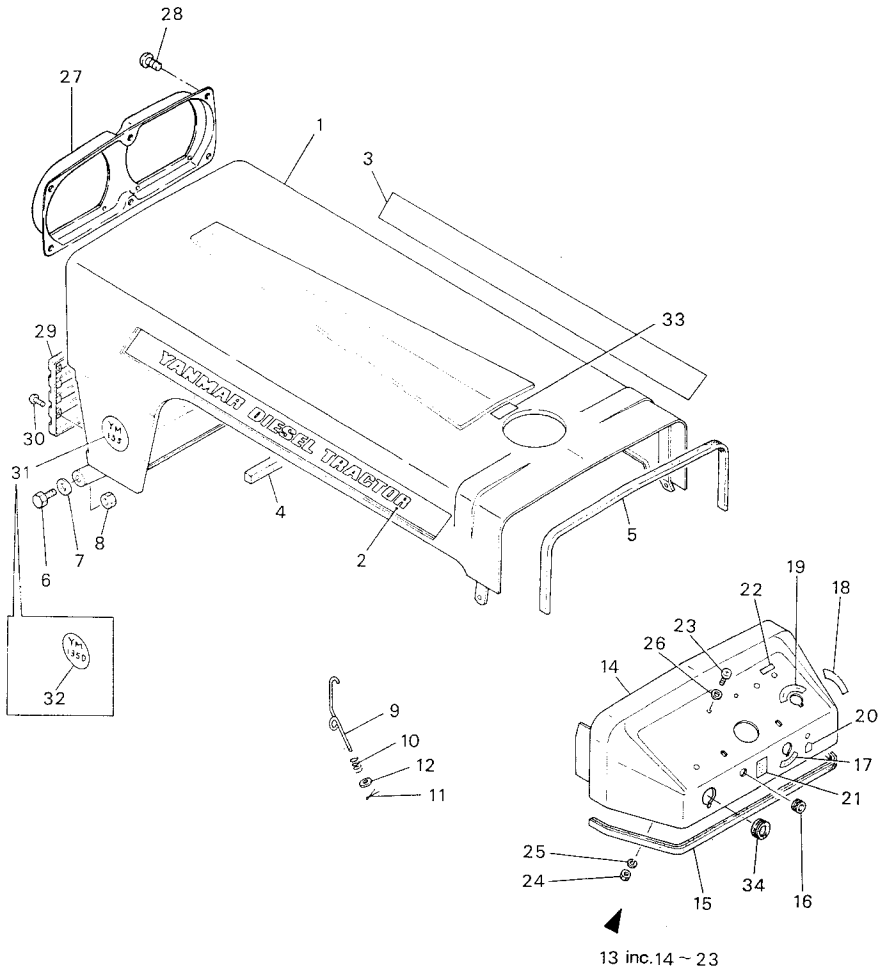


Fig. 72 HOOD (FRANCE) [YM135,YM135D]

| Refer. No. | Description | Part No. | Qty/Unit | | | | Inter-changeability | Design-change Mark | Remarks |
|------------|----------------------------------|----------------|----------|--------|-------|--------|---------------------|--------------------|--|
| | | | YM135 | YM135D | YM135 | YM135D | | | |
| 72- 1 | HOOD | 194262-61101-P | | | 1 | 1 | | | |
| 72- 2 | MODEL PLATE (L) | 194390-65501 | | | 1 | 1 | Z | | As to change history, refer to item "LABEL". |
| 72- 3 | MODEL PLATE (R) | 194390-65511 | | | 1 | 1 | Z | | |
| 72- 4 | LINNING, hood front | 194200-61220 | | | 2 | 2 | | | |
| 72- 5 | RUBBER, hood insulating | 194200-61250 | | | 1 | 1 | | | |
| 72- 6 | BOLT M12 x 35 | 26116-120352 | | | 2 | 2 | 10 | | |
| 72- 7 | WASHER 12, plain | 22117-120000 | | | 2 | 2 | 10 | | |
| 72- 8 | U-NUT M12 | 26347-120002 | | | 2 | 2 | 10 | | |
| | U-NUT M12 | 26346-120002 | | | 2 | 2 | 10 | N | |
| 72- 9 | HOOK, hood | 194262-61450 | | | 2 | 2 | | | |
| 72- 10 | SPRING, hook | 194262-61490 | | | 2 | 2 | | | |
| 72- 11 | COTTER PIN 2 x 10 | 22417-200100 | | | 2 | 2 | 10 | | |
| 72- 12 | WASHER 10, plain | 22117-100000 | | | 2 | 2 | 10 | | |
| 72- 13 | PANEL BOX ASS'Y | 794390-61501 | | | 1 | 1 | | | YM135 from No. 51183 |
| | PANEL BOX ASS'Y | 794390-61502 | | | 1 | 1 | | N | YM135D from No. 51209 |
| 72- 14 | .INSTRUMENT PANEL | 194262-61501 | | | 1 | 1 | | | |
| | .INSTRUMENT PANEL | 194262-61502 | | | 1 | 1 | | N | YM135 from No. 51183 |
| | | | | | 1 | 1 | | N | YM135D from No. 51209 |
| 72- 15 | .RUBBER, panel box insulating | 194200-61550 | | | 1 | 1 | | | |
| 72- 16 | .GROMMET 9 | 1A1040-59470 | | | 1 | 1 | | | |
| 72- 17 | .LABEL, turn signal | 194150-65360 | | | 1 | 1 | | Z | |
| 72- 18 | .LABEL, throttle lever | 194240-65430 | | | 1 | 1 | | Z | |
| 72- 19 | .LABEL, key switch | 194340-65720 | | | 1 | 1 | | Z | |
| 72- 20 | .LABEL, horn switch | 194130-65380 | | | 1 | 1 | | Z | |
| 72- 21 | .LABEL, decompression indication | 194340-65590 | | | 1 | 1 | | Z | |
| 72- 22 | .LABEL, pilot lamp | 194190-99240 | | | 1 | 1 | | Z | |
| 72- 23 | .SCREW M6 x 16 | 26587-060162 | | | 4 | 4 | 10 | | |

Fig. 72 HOOD (FRANCE) [YM135,YM135D]

M E M O

| Refer. No. | Description | Part No. | Qty/Unit | | | | Sales Unit | Inter-change ability | Design-change Mark | Remarks |
|------------|------------------------|--------------|----------|--------|-------|--------|------------|----------------------|--------------------|-----------------------|
| | | | YM135 | YM135D | YM135 | YM135D | | | | |
| 72- 24 | NUT M6 | 26716-060002 | | | 4 | 4 | 10 | | | |
| 72- 25 | SPRING WASHER 6 | 22217-060000 | | | 4 | 4 | 10 | | | |
| 72- 26 | WASHER 6, plain | 22117-060000 | | | 4 | 4 | 10 | | | |
| 72- 27 | PANEL, hood upper | 194262-61330 | | | 1 | 1 | | | | |
| | PANEL, hood upper | 194340-61330 | | | 1 | 1 | | N | | |
| 72- 28 | SCREW M4 x 10, tapping | 22857-040100 | | | 6 | 6 | 10 | | | |
| | SCREW M4 x 10, tapping | 22857-400100 | | | 6 | 6 | 10 | N | | |
| 72- 29 | GRILLE, front | 194262-61240 | | | 1 | 1 | | | | |
| 72- 30 | SCREW M4 x 10, tapping | 22857-040100 | | | 6 | 6 | 10 | | | |
| | SCREW M4 x 10, tapping | 22857-400100 | | | 6 | 6 | 10 | N | | |
| 72- 31 | LABEL, side | 194390-64720 | | | 2 | | | | Z | |
| 72- 32 | LABEL, side | 194391-64720 | | | 2 | | | | Z | |
| 72- 33 | LABEL, fuel indicating | 194240-65670 | | | 1 | 1 | | | Z | |
| 72- 34 | CAP 20, rubber | 194340-61610 | | | 1 | 1 | | | W | YM135 from No. 51183 |
| | CAP 20, rubber | 194340-61610 | | | 1 | 1 | | | Z | YM135D from No. 51209 |

Fig. 73 FENDERS, STEPS & SEAT (U.S.A. & S.AFRICA) [YM155,YM155D]

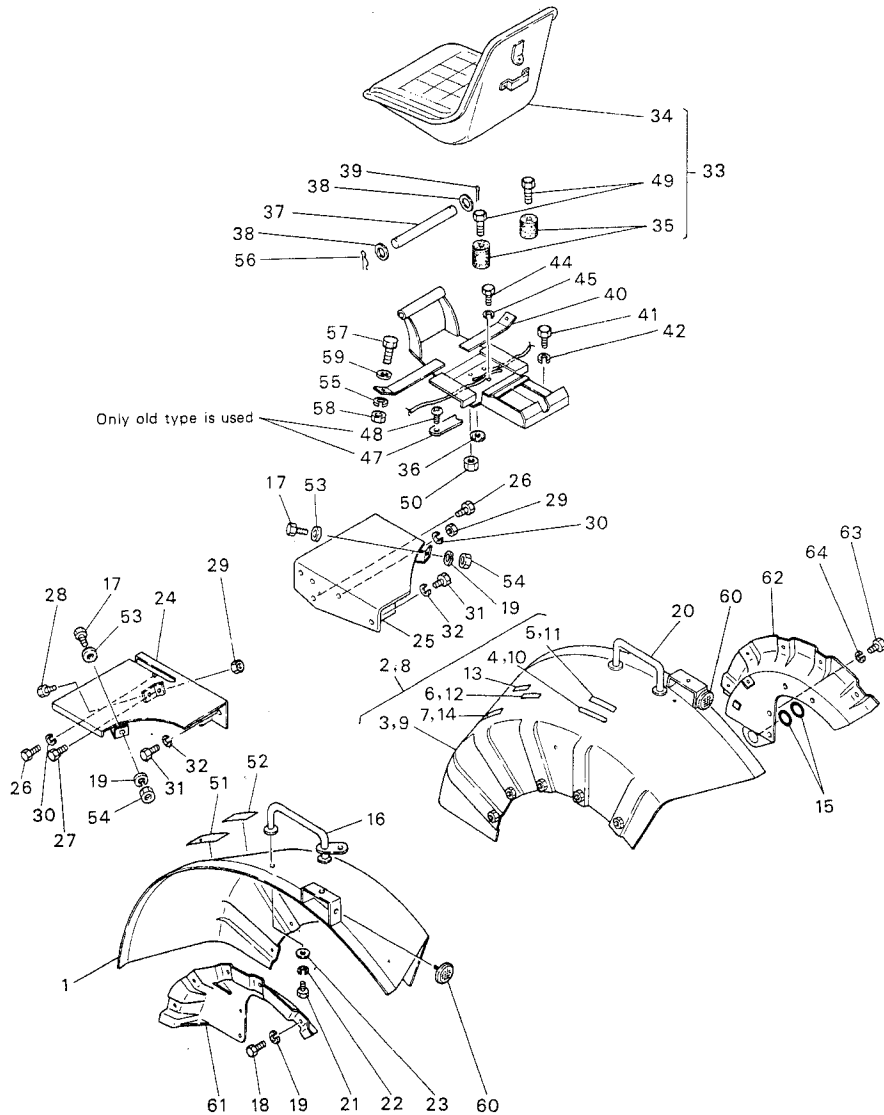


Fig. 73 FENDERS, STEPS & SEAT (U.S.A. & S.AFRICA) [YM155,YM155D]

| Refer. No. | Description | Part No. | Qty/Unit | | | | Inter-change ability | Design-change Mark | Remarks |
|------------|----------------------------------|----------------|----------|--------|-------|--------|----------------------|--------------------|---------|
| | | | YM155 | YM155D | YM135 | YM155D | | | |
| 73- 1 | FENDER (L) | 194200-62101-P | 1 | 1 | | | | | |
| | FENDER (L) | 194200-62101-R | 1 | 1 | | | S | | |
| 73- 2 | FENDER (R) w/LABELS | 794340-62040-P | 1 | | | | | Inc. 73-4~7, 9 | |
| | FENDER (R) w/LABELS | 794340-62040-R | 1 | | | | S | Inc. 73-4~7, 9 | |
| 73- 3 | FENDER (R) | 194200-62111-P | 1 | | | | | | |
| | FENDER (R) | 194200-62111-R | 1 | | | | S | | |
| 73- 4 | LABEL, slow return valve | 194340-65690 | 1 | | | | Z | | |
| 73- 5 | LABEL, hydraulic lift indication | 194240-65510 | 1 | | | | Z | | |
| 73- 6 | LABEL, L.H. indication | 194340-65601 | 1 | | | | Z | | |
| 73- 7 | LABEL, differential lock | 194340-65441 | 1 | | | | Z | | |
| 73- 8 | FENDER (R) w/LABELS | 794341-62040 | 1 | | | | | Inc. 73-4~9 | |
| 73- 9 | FENDER (R) | 194200-62111-P | 1 | | | | | | |
| | FENDER (R) | 194200-62111-R | 1 | | | | S | | |
| 73- 10 | LABEL, slow return valve | 194340-65690 | 1 | | | | Z | | |
| 73- 11 | LABEL, hydraulic lift indication | 194240-65510 | 1 | | | | Z | | |
| 73- 12 | LABEL, L.H. indication | 194340-65601 | 1 | | | | Z | | |
| 73- 13 | LABEL, front P.T.O. | 194341-65661 | 1 | | | | Z | | |
| 73- 14 | LABEL, differential lock | 194340-65441 | 1 | | | | Z | | |
| 73- 15 | O-RING 18-P | 24311-000180 | 1 | 1 | | 10 | | | |
| | O-RING 18-P | 24311-000180 | 2 | 2 | | 10 | K | [1] | |
| 73- 16 | BAR (L), assist | 194340-62430-P | 1 | 1 | | | | | |
| | BAR (L), assist | 194340-62430-R | 1 | 1 | | | | | |
| 73- 17 | BOLT M8 x 20 | 26116-080202 | 2 | 2 | | 10 | | | |
| 73- 18 | BOLT M8 x 16 | 26116-080162 | 10 | 10 | | 10 | | | |
| | BOLT M8 x 16 | 26013-080162 | 10 | 10 | | 10 | N | | |
| 73- 19 | SPRING WASHER 8 | 22217-080000 | 14 | 14 | | 10 | | | |

Fig. 73 FENDERS, STEPS & SEAT (U.S.A. & S.AFRICA) [YM155,YM155D]

| Refer. No. | Description | Part No. | Qty/Unit | | | | Sales Unit | Inter-change ability | Design-change Mark | Remarks |
|------------|---|-------------------------|----------|--------|-------|--------|------------|----------------------|--------------------|---------|
| | | | YM155 | YM155D | YM135 | YM135D | | | | |
| 73- 20 | BAR (R), assist | 194200-62401 | 1 | 1 | | | | | | |
| | BAR (R), assist | 194200-62401-R | 1 | 1 | | | | | | |
| 73- 21 | BOLT M8 x 16 | 26116-080162 | 4 | 4 | | 10 | | | | |
| | BOLT M8 x 16 | 26013-080162 | 4 | 4 | | 10 | N | | | |
| 73- 22 | SPRING WASHER 8 | 22217-080000 | 4 | 4 | | 10 | Z | | | |
| 73- 23 | WASHER 8, plain | 22117-080000 | 4 | 4 | | 10 | | | | |
| 73- 24 | STEP (L) | 194200-62511-X | 1 | 1 | | | | | | |
| 73- 25 | STEP (R) | 194200-62521-X | 1 | 1 | | | | | | |
| 73- 26 | BOLT M10 x 20 | 26116-100202 | 4 | 4 | | 10 | | | | |
| | BOLT M10 x 20 | 26013-100202 | 4 | 4 | | 10 | N | | | |
| 73- 27 | BOLT M10 x 25 | 26116-100252 | 1 | 1 | | 10 | | | | |
| | BOLT M10 x 25 | 26013-100252 | 1 | 1 | | 10 | N | | | |
| 73- 28 | BOLT M10 x 40 | 26116-100404 | 1 | 1 | | 10 | | | | |
| 73- 29 | NUT M10 | 26716-100002 | 2 | 2 | | 10 | | | | |
| 73- 30 | SPRING WASHER 10 | 22217-100000 | 5 | 5 | | 10 | | | | |
| | SPRING WASHER 10 | 22217-100000 | 1 | 1 | | 10 | K | | | |
| 73- 31 | BOLT M8 x 20 | 26116-080202 | 2 | 2 | | 10 | | | | |
| | BOLT M8 x 20 | 26013-080202 | 2 | 2 | | 10 | N | | | |
| 73- 32 | SPRING WASHER 8 | 22217-080000 | 2 | 2 | | 10 | Z | | | |
| 73- 33 | SEAT, complete, operator's | 794200-63100 | 1 | 1 | | | | | E | |
| 73- 34 | .SEAT, operator's | 194151-63112 | 1 | 1 | | | | | | |
| | .SEAT, operator's | 194240-63102-X | 1 | 1 | | | S | | E | |
| 73- 35 | .CUSHION, seat | 194200-63140 | 2 | 2 | | | | | | |
| | E: Change effective units YM155 - from No. 51397 | YM155D - from No. 52639 | | | | | | | | |

Fig. 73 FENDERS, STEPS & SEAT (U.S.A. & S.AFRICA) [YM155,YM155D]

| Refer. No. | Description | Part No. | Qty/Unit | | | | Sales Unit | Inter-change ability | Design-change Mark | Remarks |
|------------|---|-------------------------|----------|--------|-------|--------|------------|----------------------|---|---------|
| | | | YM155 | YM155D | YM135 | YM135D | | | | |
| 73- 36 | PACKING, breather pipe saddle | 194200-63310 | 1 | 1 | | | | | | |
| 73- 37 | PIN 8 x 165, seat hinge | 194200-63180 | 1 | 1 | | | | | | |
| | PIN 8 x 205, seat hinge | 194140-63221 | 1 | 1 | | | | S | E | |
| 73- 38 | WASHER 8, plain | 22117-080000 | 2 | 2 | | 10 | | | | |
| 73- 39 | COTTER PIN 2 x 20 | 22417-200200 | 2 | 2 | | 10 | | | | |
| | COTTER PIN 2 x 15 | 22417-200150 | 1 | 1 | | 10 | N | | | |
| 73- 40 | BRACKET, operator's seat | 194200-63210-X | 1 | 1 | | | | | | |
| | BRACKET, operator's seat | 194340-63210-X | 1 | 1 | | | | S | E | |
| 73- 41 | BOLT M12 x 25 | 26116-120252 | 2 | 2 | | 10 | | | | |
| | BOLT M12 x 25 | 26013-120252 | 2 | 2 | | 10 | N | | | |
| 73- 42 | SPRING WASHER 12 | 22217-120000 | 2 | 2 | | 10 | Z | | | |
| 73- 43 | CLAMP (B) | 194200-56410 | 1 | 1 | | | | Z | [1] | |
| 73- 44 | BOLT M10 x 20 | 26116-100202 | 3 | 3 | | 10 | | | | |
| | BOLT M10 x 20 | 26013-100202 | 3 | 3 | | 10 | N | | | |
| 73- 45 | SPRING WASHER 10 | 22217-100000 | 3 | 3 | | 10 | Z | | | |
| 73- 46 | WASHER 10, plain | 22117-100000 | 1 | 1 | | 10 | Z | | [1] | |
| 73- 47 | PLATE, cushion | 194200-63300 | 1 | 1 | | | | | | |
| | PLATE, cushion | 194200-63301 | 1 | 1 | | | | N | [3] | |
| | PLATE, cushion | 194200-63301 | 1 | 1 | | | | Z | [5] | |
| 73- 48 | SCREW M6 x 12 | 26557-060122 | 1 | 1 | | 10 | Z | | [5] | |
| 73- 49 | BOLT M8 x 30 | 26116-080302 | 2 | 2 | | 10 | W | | YM155 from No. 51397 YM155D from No. 52639 | |
| 73- 50 | NUT M8 | 26347-080002 | 2 | 2 | | 10 | W | | | |
| | U-NUT M8 | 26346-080002 | 2 | 2 | | 10 | N | | | |
| 73- 51 | LABEL, caution | 194240-65620 | 1 | 1 | | | | W | | |
| | LABEL, caution | 194240-65620 | 1 | 1 | | | | Z | | |
| 73- 52 | LABEL, P.T.O. | 194340-65780 | 1 | 1 | | | | W | YM155 from No. 51295 YM155D from No. 52086 | |
| | LABEL, P.T.O. | 194340-65780 | 1 | 1 | | | | Z | | |
| | E: Change effective units YM155 - from No. 51397 | YM155D - from No. 52639 | | | | | | | | |

Fig. 73 FENDERS, STEPS & SEAT (U.S.A. & S.AFRICA) [YM155, YM155D]

MEMO

| Refer. No. | Description | Part No. | Qty/Unit | | | | Sales Unit | Inter-change ability | Design-change Mark | Remarks |
|------------|---------------------|----------------|----------|--------|-------|--------|------------|----------------------|--------------------|---------|
| | | | YM155 | YM155D | YM155 | YM155D | | | | |
| 73- 53 | WASHER 8 | 22117-080000 | 2 | 2 | | | 10 | W | | |
| 73- 54 | NUT M8 | 26716-080002 | 2 | 2 | | | 10 | W | | |
| 73- 55 | SPRING WASHER 8 | 22217-080000 | 2 | 2 | | | 10 | W | | |
| 73- 56 | SNAP PIN 8 | 22360-080000 | 1 | 1 | | | 10 | W | | |
| 73- 57 | BOLT M8 x 20 | 26116-080202 | 2 | 2 | | | 10 | W | | |
| 73- 58 | NUT M8 | 26716-080002 | 2 | 2 | | | 10 | W | | |
| 73- 59 | WASHER 8 | 22117-080000 | 2 | 2 | | | 10 | W | | |
| 73- 60 | REFLECTOR, complete | 194200-62220 | 2 | 2 | | | | | | |
| 73- 61 | BRACKET (L), fender | 194200-62300 | 1 | 1 | | | | | | |
| | BRACKET (L), fender | 194200-62300-R | 1 | 1 | | | | | | |
| 73- 62 | BRACKET (R), fender | 194200-62311 | 1 | 1 | | | | | | |
| | BRACKET (R), fender | 194200-62311-R | 1 | 1 | | | | | | |
| 73- 63 | BOLT M10 x 65 | 26116-100652 | 2 | 2 | | | 10 | | | |
| 73- 64 | SPRING WASHER 10 | 22217-100000 | 2 | 2 | | | 10 | | | |

Fig. 74 FENDERS, STEPS & SEAT (FRANCE) [YM155, YM155D]

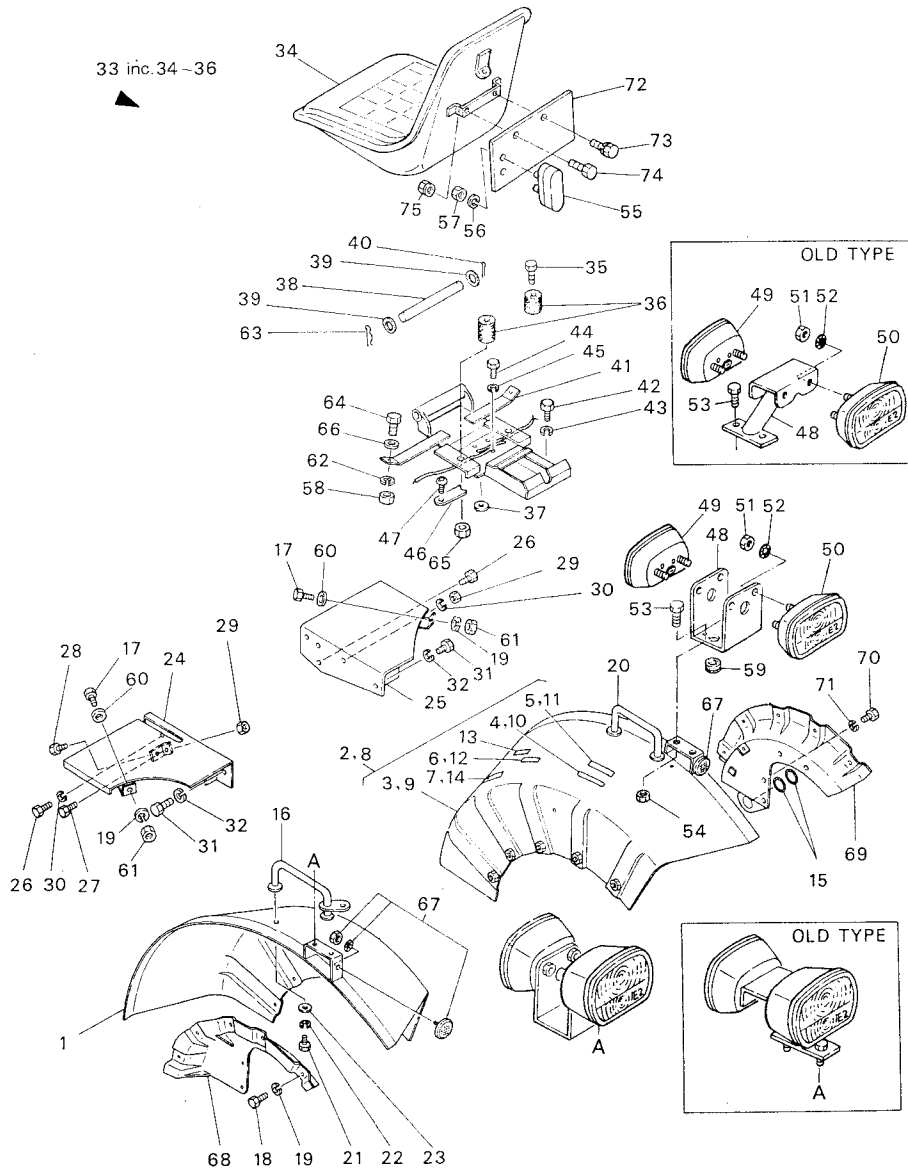


Fig. 74 FENDERS, STEPS & SEAT (FRANCE) [YM155, YM155D]

| Refer. No. | Description | Part No. | Q'ty/Unit | | | | Interchangeability | Designation Mark | Remarks |
|------------|-----------------------------------|----------------|-----------|--------|-------|--------|--------------------|------------------|---------|
| | | | YM155 | YM155D | YM135 | YM135D | | | |
| 74- 1 | FENDER (L) | 194200-62101-R | 1 | 1 | | | | | |
| 74- 2 | FENDER (R) w/LABELS | 794340-62050 | 1 | | | | | | |
| 74- 3 | FENDER (R) | 194200-62111-R | 1 | | | | | | |
| 74- 4 | .LABEL, slow return valve | 194340-98420 | 1 | | | | Z | | |
| 74- 5 | .LABEL, hydraulic lift indication | 194240-98380 | 1 | | | | Z | | |
| 74- 6 | .LABEL, L.H. indication | 194340-98370 | 1 | | | | Z | | |
| 74- 7 | .LABEL, differential lock | 194240-98360 | 1 | | | | Z | | |
| 74- 8 | FENDER (R) w/LABELS | 794341-62050 | | 1 | | | | | |
| 74- 9 | FENDER (R) | 194200-62111-R | | 1 | | | | | |
| 74- 10 | .LABEL, slow return valve | 194340-98420 | | 1 | | | Z | | |
| 74- 11 | .LABEL, hydraulic lift indication | 194240-98380 | | 1 | | | Z | | |
| 74- 12 | .LABEL, L.H. indication | 194340-98370 | | 1 | | | Z | | |
| 74- 13 | .LABEL, front P.T.O. | 194341-98350 | | 1 | | | Z | | |
| 74- 14 | .LABEL, differential lock | 194240-98360 | | 1 | | | Z | | |
| 74- 15 | O-RING 18-P | 24311-000180 | 2 | 2 | | | 10 | | |
| 74- 16 | BAR (L), assist | 194340-62430-R | 1 | 1 | | | | | |
| 74- 17 | BOLT M8 x 20 | 26116-080202 | 2 | 2 | | | 10 | | |
| 74- 18 | BOLT M8 x 16 | 26116-080162 | 10 | 10 | | | 10 | | |
| | BOLT M8 x 16 | 26013-080162 | 10 | 10 | | | 10 | N | |
| 74- 19 | SPRING WASHER 8 | 22217-080000 | 14 | 14 | | | 10 | | |
| | SPRING WASHER 8 | 22217-080000 | 2 | 2 | | | 10 | K | |
| 74- 20 | BAR (R), assist | 194200-62401 | 1 | 1 | | | | | |
| 74- 21 | BOLT M8 x 16 | 26116-080162 | 4 | 4 | | | 10 | | |
| | BOLT M8 x 16 | 26013-080162 | 4 | 4 | | | 10 | N | |
| 74- 22 | SPRING WASHER 8 | 22217-080000 | 4 | 4 | | | 10 | Z | |
| 74- 23 | WASHER 8, plain | 22117-080000 | 4 | 4 | | | 10 | | |

Fig. 74 FENDERS, STEPS & SEAT (FRANCE) [YM155,YM155D]

| Refer. No. | Description | Part No. | Qty/Unit | | | | Sales Unit | Inter-changeability | Design-change Mark | Remarks |
|------------|---|-------------------------|----------|--------|-------|--------|------------|---------------------|--------------------|---------|
| | | | YM155 | YM155D | YM135 | YM135D | | | | |
| | | | | | | | | | | |
| 74- 24 | STEP (L) | 194200-62511-X | 1 | 1 | | | | | | |
| 74- 25 | STEP (R) | 194200-62521-X | 1 | 1 | | | | | | |
| 74- 26 | BOLT M10 x 20 | 26116-100202 | 4 | 4 | | 10 | | | | |
| | BOLT M10 x 20 | 26013-100202 | 4 | 4 | | 10 | N | | | |
| 74- 27 | BOLT M10 x 25 | 26116-100252 | 1 | 1 | | 10 | | | | |
| | BOLT M10 x 25 | 26013-100252 | 1 | 1 | | 10 | N | | | |
| 74- 28 | BOLT M10 x 40 | 26116-100404 | 1 | 1 | | 10 | | | | |
| 74- 29 | NUT M10 | 26716-100002 | 2 | 2 | | 10 | | | | |
| 74- 30 | SPRING WASHER 10 | 22217-100000 | 5 | 5 | | 10 | | | | |
| 74- 31 | BOLT M8 x 20 | 26116-080202 | 2 | 2 | | 10 | | | | |
| | BOLT M8 x 20 | 26013-080202 | 2 | 2 | | 10 | N | | | |
| 74- 32 | SPRING WASHER 8 | 22217-080000 | 2 | 2 | | 10 | Z | | | |
| 74- 33 | SEAT, complete, operator's | 794200-63100 | 1 | 1 | | | | | E Inc. 37-34 35 | |
| 74- 34 | .SEAT, operator's | 194151-63112 | 1 | 1 | | | | | | |
| | .SEAT, operator's | 194240-63102-X | 1 | 1 | | | S | | E | |
| 74- 35 | .BOLT M8 x 30 | 26116-080302 | 2 | 2 | | | | | | |
| 74- 36 | .CUSHION, seat | 194200-63140 | 2 | 2 | | | | | | |
| 74- 37 | PACKING, breather pipe saddle | 194200-63310 | 1 | 1 | | | | | | |
| 74- 38 | PIN 8 x 165, seat hinge | 194200-63180 | 1 | 1 | | | | | | |
| | PIN 8 x 205, seat hinge | 194140-63221 | 1 | 1 | | | S | | E | |
| 74- 39 | WASHER 8, plain | 22117-080000 | 2 | 2 | | 10 | | | | |
| 74- 40 | COTTER PIN 2 x 20 | 22417-200200 | 2 | 2 | | 10 | | | | |
| | COTTER PIN 2 x 15 | 22417-200150 | 1 | 1 | | 10 | N | | | |
| 74- 41 | BRACKET, operator's seat | 194340-63210-X | 1 | 1 | | | Z | | E | |
| | E: Change effective units YM155 - from No. 51397 | YM155D - from No. 52639 | | | | | | | | |

Fig. 74 FENDERS, STEPS & SEAT (FRANCE) [YM155,YM155D]

| Refer. No. | Description | Part No. | Qty/Unit | | | | Sales Unit | Inter-changeability | Design-change Mark | Remarks |
|------------|----------------------------|-----------------------------|----------|--------|-------|--------|------------|---------------------|--------------------|---------|
| | | | YM155 | YM155D | YM135 | YM135D | | | | |
| | | | | | | | | | | |
| 74- 42 | BOLT M12 x 25 | 26116-120252 | 2 | 2 | | 10 | | | | |
| | BOLT M12 x 25 | 26013-120252 | 2 | 2 | | 10 | N | | | |
| 74- 43 | SPRING WASHER 12 | 22217-120000 | 2 | 2 | | 10 | Z | | | |
| 74- 44 | BOLT M10 x 20 | 26116-100202 | 3 | 3 | | 10 | | | | |
| | BOLT M10 x 20 | 26013-100202 | 3 | 3 | | 10 | N | | | |
| 74- 45 | SPRING WASHER 10 | 22217-100000 | 3 | 3 | | 10 | Z | | | |
| 74- 46 | PLATE, cushion | 194200-63301 | 1 | 1 | | | | | | |
| 74- 47 | SCREW M6 x 12 | 26557-060122 | 1 | 1 | | 10 | Z | [5] | | |
| 74- 48 | BRACKET, signal lamp | 194340-62250 | 2 | 2 | | | | | | |
| | BRACKET, signal lamp | 194240-62250 | 2 | 2 | | | N | | | |
| 74- 49 | SIGNAL LAMP (E633) | Local prepare (59.10.01700) | 2 | 2 | | | | | | |
| 74- 50 | SIGNAL LAMP (E631) | Local prepare (59.10.00800) | 2 | 2 | | | | | | |
| 74- 51 | NUT | Local prepare (59.10.01200) | 4 | 4 | | | | | | |
| 74- 52 | WASHER | Local prepare (59.10.01500) | 4 | 4 | | | | | | |
| 74- 53 | BOLT M6 x 16 | 26116-060162 | 4 | 4 | | 10 | | | | |
| | BOLT M6 x 16 | 26013-060162 | 4 | 4 | | 10 | N | | | |
| 74- 54 | NUT M6 | 26716-060002 | 4 | 4 | | 10 | | | | |
| 74- 55 | LIGHT ASS'Y, licence plate | 194436-53800 | 1 | 1 | | | | | | |
| 74- 56 | SPRING WASHER 5 | 22217-050000 | 2 | 2 | | | | | | |
| 74- 57 | NUT M5 | 26716-050002 | 2 | 2 | | 10 | | | | |
| 74- 58 | NUT M8 | 26716-080002 | 2 | 2 | | 10 | | | | |
| 74- 59 | GROMMET 8 | 194080-58810 | 2 | 2 | | | | | | |
| 74- 60 | WASHER 8 | 22117-080000 | 2 | 2 | | 10 | W | | | |
| 74- 61 | NUT M8 | 26716-080002 | 2 | 2 | | 10 | W | | | |
| 74- 62 | SPRING WASHER 8 | 22217-080000 | 2 | 2 | | 10 | W | | | |
| 74- 63 | SNAP PIN 8 | 22360-080000 | 1 | 1 | | 10 | W | | | |
| 74- 64 | BOLT M8 x 20 | 26116-080202 | 2 | 2 | | 10 | W | | | |
| 74- 65 | U-NUT M8 | 26346-080002 | 2 | 2 | | 10 | W | | | |
| 74- 66 | WASHER 8 | 22117-080000 | 2 | 2 | | 10 | W | | | |

Fig. 74 FENDERS, STEPS & SEAT (FRANCE) [YM155, YM155D]

M E M O

| Refer. No. | Description | Part No. | Qty/Unit | | | | Inter-changeability | Design-change Mark | Remarks |
|------------|---------------------|----------------|----------|--------|-------|--------|---------------------|--------------------|---------|
| | | | YM155 | YM155D | YM135 | YM135D | | | |
| 74- 67 | REFLECTOR, complete | 194200-62220 | 2 | 2 | | | | | |
| 74- 68 | BRACKET (L), fender | 194200-62300-R | 1 | 1 | | | | | |
| 74- 69 | BRACKET (R), fender | 194200-62311-R | 1 | 1 | | | | | |
| 74- 70 | BOLT M10 x 65 | 26116-100652 | 2 | 2 | | 10 | | | |
| 74- 71 | SPRING WASHER 10 | 22217-100000 | 2 | 2 | | 10 | | | |
| 74- 72 | PLATE, licence | 194436-64510 | 1 | 1 | | | | | |
| 74- 73 | BOLT M6 x 12 | 26013-060122 | 1 | 1 | | 10 | | | |
| 74- 74 | BOLT M6 x 12 | 26116-060122 | 1 | 1 | | 10 | | | |
| 74- 75 | NUT M | 194990-22130 | 1 | 1 | | 10 | | | |

Fig. 75 FENDERS, STEPS & SEAT (ENGLAND) [YM155, YM155D]

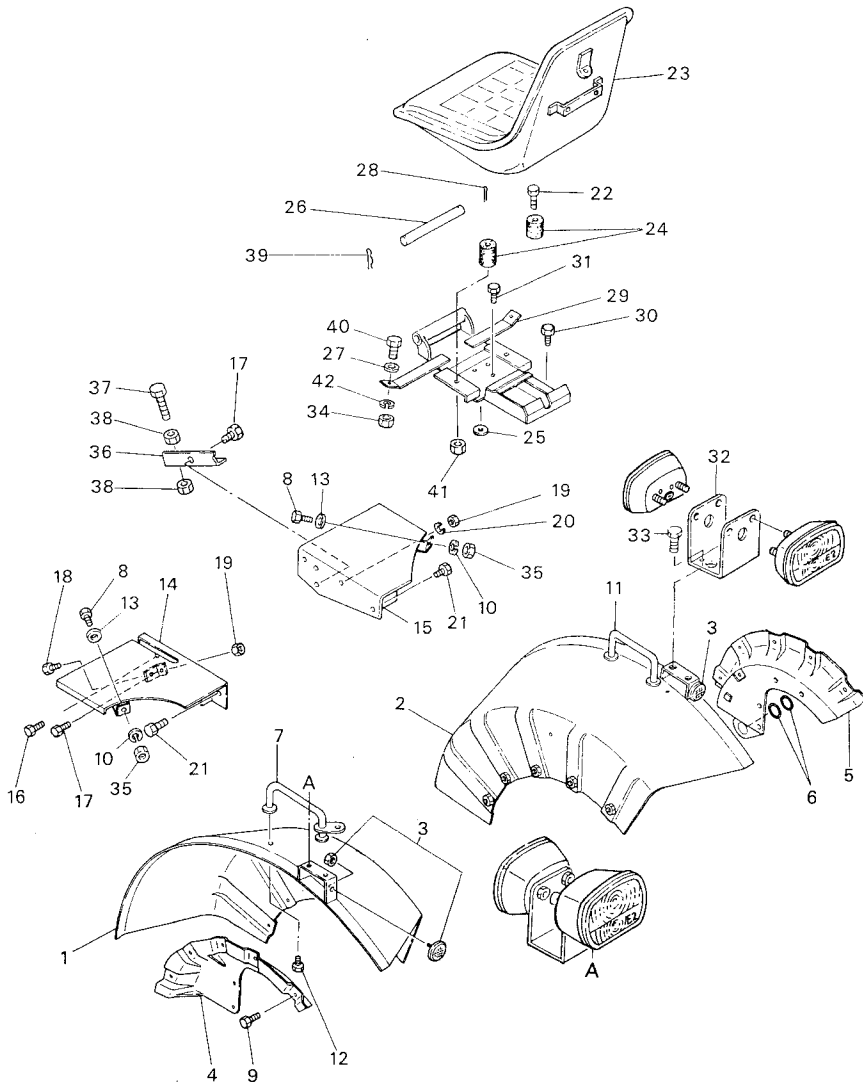


Fig. 75 FENDERS, STEPS & SEAT (ENGLAND) [YM155, YM155D]

| Refer. No. | Description | Part No. | Qty/Unit | | | | Inter-changeability | Design-change Mark | Remarks |
|------------|-------------------------------|----------------|----------|--------|-------|--------|---------------------|--------------------|---------|
| | | | YM155 | YM155D | YM135 | YM135D | | | |
| 75- 1 | FENDER (L) | 194200-62101-R | 1 | 1 | | | | | |
| 75- 2 | FENDER (R) | 194200-62111-R | 1 | 1 | | | | | |
| 75- 3 | REFLECTOR, complete | 194436-64200 | 2 | 2 | | | | | |
| 75- 4 | BRACKET (L), fender | 194200-62300 | 1 | 1 | | | | | |
| 75- 5 | BRACKET (R), fender | 194200-62311 | 1 | 1 | | | | | |
| 75- 6 | O-RING 18-P | 24311-000180 | 2 | 2 | | 10 | | | |
| 75- 7 | BAR (L), assist | 194340-62430-R | 1 | 1 | | | | | |
| 75- 8 | BOLT M8 x 20 | 26116-080202 | 2 | 2 | | 10 | | | |
| 75- 9 | BOLT M8 x 16 | 26013-080162 | 10 | 10 | | 10 | | | |
| 75- 10 | SPRING WASHER 8 | 22217-080000 | 2 | 2 | | 10 | | | |
| 75- 11 | BAR (R), assist | 194200-62401 | 1 | 1 | | | | | |
| 75- 12 | BOLT M8 x 16 | 26013-080162 | 4 | 4 | | 10 | | | |
| 75- 13 | WASHER 8, plain | 22117-080000 | 4 | 4 | | 10 | | | |
| 75- 14 | STEP (L) | 194200-62511-X | 1 | 1 | | | | | |
| 75- 15 | STEP (R) | 194200-62521-X | 1 | 1 | | | | | |
| 75- 16 | BOLT M10 x 20 | 26013-100202 | 4 | 4 | | 10 | | | |
| 75- 17 | BOLT M10 x 25 | 26013-100252 | 1 | 1 | | 10 | | | |
| 75- 18 | BOLT M10 x 40 | 26116-100404 | 1 | 1 | | 10 | | | |
| 75- 19 | NUT M10 | 26716-100002 | 2 | 2 | | 10 | | | |
| 75- 20 | SPRING WASHER 10 | 22217-100000 | 1 | 1 | | 10 | | | |
| 75- 21 | BOLT M8 x 20 | 26013-080202 | 2 | 2 | | 10 | | | |
| 75- 22 | BOLT M8 x 30 | 26116-080302 | 2 | 2 | | 10 | | | |
| 75- 23 | SEAT, operator's | 194240-63102-X | 1 | 1 | | | | | |
| 75- 24 | CUSHION, seat | 194200-63140 | 2 | 2 | | | | | |
| 75- 25 | PACKING, breather pipe saddle | 194200-63310 | 1 | 1 | | | | | |
| 75- 26 | PIN 8 x 205, seat hinge | 194140-63221 | 1 | 1 | | | | | |
| 75- 27 | WASHER 8, plain | 22117-080000 | 2 | 2 | | 10 | | | |

Fig. 75 FENDERS, STEPS & SEAT (ENGLAND) [YM155, YM155D]

M E M O

| Refer. No. | Description | Part No. | Qty./Unit | | | | Sales Unit | Inter-changeability | Design-change Mark | Remarks |
|------------|--------------------------|----------------|-----------|--------|-------|--------|------------|---------------------|--------------------|---------|
| | | | YM155 | YM155D | YM135 | YM135D | | | | |
| 75- 28 | COTTER PIN 2 x 15 | 22417-200150 | 2 | 2 | | | 10 | | | |
| 75- 29 | BRACKET, operator's seat | 194340-63210-X | 1 | 1 | | | | | | |
| 75- 30 | BOLT M12 x 25 | 26013-120252 | 2 | 2 | | | 10 | | | |
| 75- 31 | BOLT M10 x 20 | 26013-100202 | 3 | 3 | | | 10 | | | |
| 75- 32 | BRACKET, signal lamp | 194240-62250 | 2 | 2 | | | | | | |
| 75- 33 | BOLT M6 x 16 | 26013-060162 | 4 | 4 | | | 10 | | | |
| 75- 34 | NUT M8 | 26716-080002 | 2 | 2 | | | 10 | | | |
| 75- 35 | NUT M8 | 26716-080002 | 2 | 2 | | | 10 | | | |
| 75- 36 | STOPPER, throttle | 194340-02450 | 1 | 1 | | | | | | |
| 75- 37 | BOLT M10 x 50 | 26116-100502 | 1 | 1 | | | 10 | | | |
| 75- 38 | NUT M10 | 26716-100002 | 2 | 2 | | | 10 | | | |
| 75- 39 | SNAP PIN 8 | 22360-080000 | 1 | 1 | | | 10 | | | |
| 75- 40 | BOLT M8 x 20 | 26116-080202 | 2 | 2 | | | 10 | | | |
| 75- 41 | U-NUT M8 | 26346-080002 | 2 | 2 | | | 10 | | | |
| 75- 42 | SPRING WASHER 8 | 22217-080000 | 2 | 2 | | | 10 | | | |

Fig. 76 FENDERS, STEPS & SEAT (PORTUGAL) [YM155, YM155D]

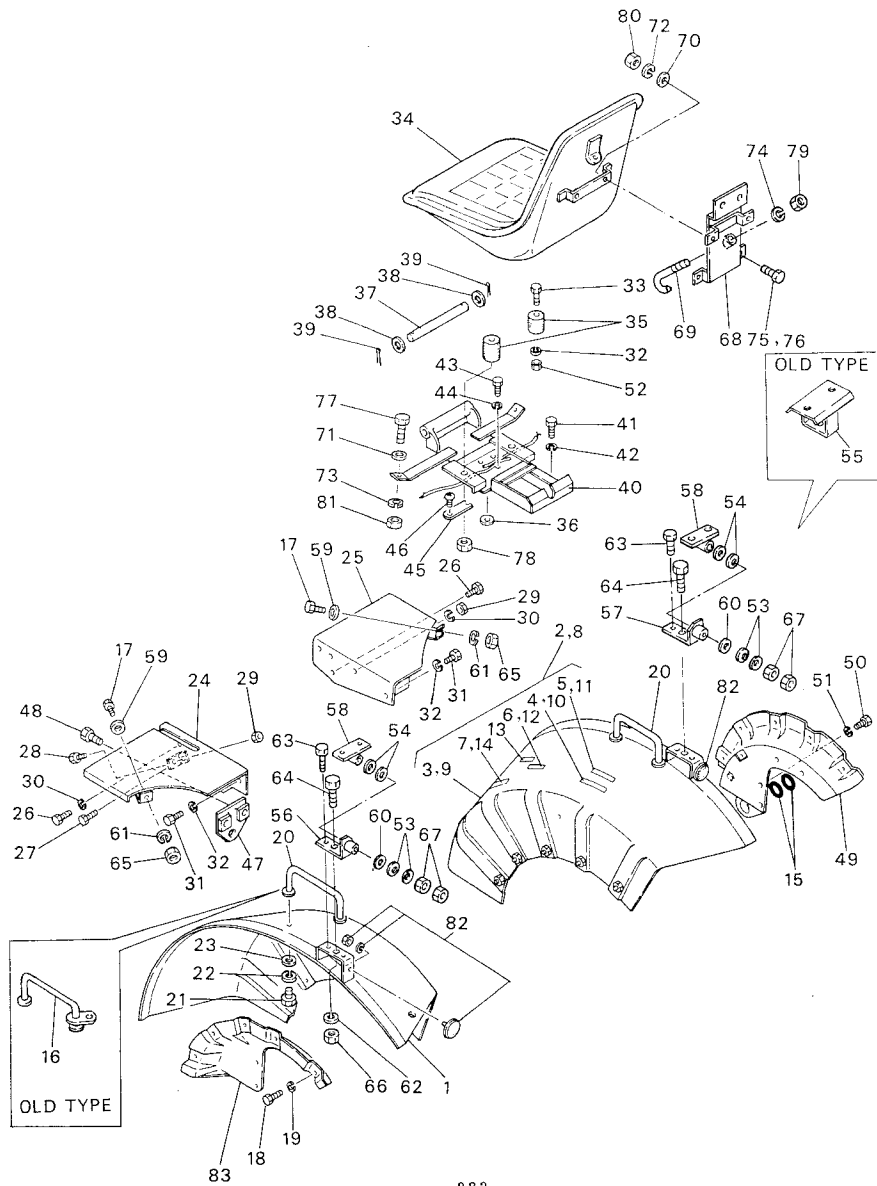


Fig. 76 FENDERS, STEPS & SEAT (PORTUGAL) [YM155, YM155D]

| Refer. No. | Description | Part No. | Qty/Unit | | | | Sales Unit | Interchangeability | Design Change Mark | Remarks |
|------------|----------------------------------|----------------|----------|--------|-------|--------|------------|--------------------|--------------------|---------|
| | | | YM155 | YM155D | YM155 | YM155D | | | | |
| 76- 1 | FENDER (L) | 194200-62101-R | 1 | 1 | | | | | | |
| | FENDER (L) | 194340-62150 | 1 | 1 | | | N | | | |
| 76- 2 | FENDER (R) w/LABELS | 794340-62050 | 1 | | | | | | | |
| 76- 3 | FENDER (R) | 194200-62111-R | 1 | | | | | | | |
| 76- 4 | LABEL, slow return valve | 194340-98420 | 1 | | | | Z | | | |
| 76- 5 | LABEL, hydraulic lift indication | 194240-98380 | 1 | | | | Z | | | |
| 76- 6 | LABEL, L.H. indication | 194340-98370 | 1 | | | | Z | | | |
| 76- 7 | LABEL, differential lock | 194240-98360 | 1 | | | | Z | | | |
| 76- 8 | FENDER (R) w/LABELS | 794341-62050 | | 1 | | | | | | |
| 76- 9 | FENDER (R) | 194200-62111-R | | 1 | | | | | | |
| 76- 10 | LABEL, slow return valve | 194340-98420 | | 1 | | | Z | | | |
| 76- 11 | LABEL, hydraulic lift indication | 194240-98380 | | 1 | | | Z | | | |
| 76- 12 | LABEL, L.H. indication | 194340-98370 | | 1 | | | Z | | | |
| 76- 13 | LABEL, front P.T.O. | 194341-98350 | | 1 | | | Z | | | |
| 76- 14 | LABEL, differential lock | 194240-98360 | | 1 | | | Z | | | |
| 76- 15 | O-RING 18-P | 24311-000180 | 2 | 2 | | 10 | | | | |
| 76- 16 | BAR (L), assist | 194340-62430-R | 1 | 1 | | | Z | | | |
| 76- 17 | BOLT M8 x 20 | 26116-080202 | 2 | 2 | | 10 | | | | |
| 76- 18 | BOLT M8 x 16 | 26116-080162 | 10 | 10 | | 10 | | | | |
| | BOLT M8 x 16 | 26013-080162 | 10 | 10 | | 10 | N | | | |
| 76- 19 | SPRING WASHER 8 | 22217-080000 | 14 | 14 | | 10 | Z | | | |
| 76- 20 | BAR (R), assist | 194200-62401-R | 1 | 1 | | | | | | |
| | BAR (R), assist | 194200-62401-R | 2 | 2 | | | K | | | |
| 76- 21 | BOLT M8 x 16 | 26116-080162 | 4 | 4 | | 10 | | | | |
| | BOLT M8 x 16 | 26013-080162 | 4 | 4 | | 10 | N | | | |
| 76- 22 | SPRING WASHER 8 | 22217-080000 | 4 | 4 | | 10 | Z | | | |
| 76- 23 | WASHER 8, plain | 22117-080000 | 4 | 4 | | 10 | | | | |

Fig. 76 FENDERS, STEPS & SEAT (PORTUGAL) [YM155, YM155D]

| Refer. No. | Description | Part No. | Qty/Unit | | | | Inter-changeability | Design-change Mark | Remarks |
|------------|-------------------------------|----------------|----------|--------|-------|--------|---------------------|--------------------|---------|
| | | | YM155 | YM155D | YM135 | YM135D | | | |
| 76- 24 | STEP (L) | 194200-62511-X | 1 | 1 | | | | | |
| 76- 25 | STEP (R) | 194200-62521-X | 1 | 1 | | | | | |
| 76- 26 | BOLT M10 x 20 | 26116-100202 | 4 | 4 | | 10 | | | |
| | BOLT M10 x 20 | 26013-100202 | 4 | 4 | | 10 | N | | |
| 76- 27 | BOLT M10 x 25 | 26116-100252 | 1 | 1 | | 10 | | | |
| | BOLT M10 x 25 | 26013-100252 | 1 | 1 | | 10 | N | | |
| 76- 28 | BOLT M10 x 40 | 26116-100404 | 1 | 1 | | 10 | | | |
| 76- 29 | NUT M10 | 26716-100002 | 2 | 2 | | 10 | | | |
| 76- 30 | SPRING WASHER 10 | 22217-100000 | 5 | 5 | | 10 | | | |
| | SPRING WASHER 10 | 22217-100000 | 1 | 1 | | 10 | K | | |
| 76- 31 | BOLT M8 x 20 | 26116-080202 | 2 | 2 | | 10 | | | |
| | BOLT M8 x 20 | 26013-080202 | 2 | 2 | | 10 | N | | |
| 76- 32 | SPRING WASHER 8 | 22217-080000 | 2 | 2 | | 10 | Z | | |
| 76- 33 | BOLT M8 x 30 | 26116-080302 | 2 | 2 | | | | | |
| 76- 34 | SEAT, operator's | 194240-63102-X | 1 | 1 | | | | | |
| 76- 35 | CUSHION, seat | 194200-63140 | 2 | 2 | | | | | |
| 76- 36 | PACKING, breather pipe saddle | 194200-63310 | 1 | 1 | | | | | |
| 76- 37 | PIN 8 x 205, seat hinge | 194140-63221 | 1 | 1 | | | | | |
| 76- 38 | WASHER 8, plain | 22117-080000 | 2 | 2 | | 10 | | | |
| 76- 39 | COTTER PIN 2 x 20 | 22417-200200 | 2 | 2 | | 10 | | | |
| | COTTER PIN 2 x 15 | 22417-200150 | 2 | 2 | | 10 | N | | |
| 76- 40 | BRACKET, operator's seat | 194340-63210-X | 1 | 1 | | | | | |
| 76- 41 | BOLT M12 x 25 | 26116-120252 | 2 | 2 | | 10 | | | |
| | BOLT M12 x 25 | 26013-120252 | 2 | 2 | | 10 | N | | |
| 76- 42 | SPRING WASHER 12 | 22217-120000 | 2 | 2 | | 10 | Z | | |
| 76- 43 | BOLT M10 x 20 | 26116-100202 | 3 | 3 | | 10 | | | |
| | BOLT M10 x 20 | 26013-100202 | 3 | 3 | | 10 | N | | |
| 76- 44 | SPRING WASHER 10 | 22217-100000 | 3 | 3 | | 10 | Z | | |

Fig. 76 FENDERS, STEPS & SEAT (PORTUGAL) [YM155, YM155D]

| Refer. No. | Description | Part No. | Qty/Unit | | | | Inter-changeability | Design-change Mark | Remarks |
|------------|------------------------|----------------|----------|--------|-------|--------|---------------------|--------------------|---------|
| | | | YM155 | YM155D | YM135 | YM135D | | | |
| 76- 45 | PLATE, cushion | 194200-63301 | 1 | 1 | | | | | |
| 76- 46 | SCREW M6 x 12 | 26557-060122 | 1 | 1 | | 10 | | | |
| 76- 47 | BRACKET, switch | 194340-52310 | 1 | 1 | | | | | |
| 76- 48 | BOLT M8 x 16 | 26013-080162 | 2 | 2 | | 10 | | | |
| 76- 49 | BRACKET (R), fender | 194200-62311-R | 1 | 1 | | | | | |
| 76- 50 | BOLT M10 x 65 | 26116-100652 | 2 | 2 | | 10 | | | |
| 76- 51 | SPRING WASHER 10 | 22217-100000 | 2 | 2 | | 10 | | | |
| 76- 52 | NUT M8 | 26716-080002 | 2 | 2 | | 10 | | | |
| 76- 53 | WASHER, conical | 194151-47760 | 4 | 4 | | | | W | |
| 76- 54 | PLATE, friction | 194202-47790 | 4 | 4 | | | | W | |
| 76- 55 | BRACKET, side lamp | 194340-62450 | 2 | 2 | | | | Z | |
| 76- 56 | STAY, side lamp | 194340-62451 | 1 | 1 | | | | W | |
| 76- 57 | STAY, side lamp | 194340-62510 | 1 | 1 | | | | W | |
| 76- 58 | STAY, side lamp | 194340-62550 | 2 | 2 | | | | W | |
| 76- 59 | WASHER 8 | 22117-080000 | 2 | 2 | | 10 | | W | |
| 76- 60 | WASHER 12 | 22137-120000 | 4 | 4 | | 10 | | W | |
| 76- 61 | SPRING WASHER 8 | 22217-080000 | 2 | 2 | | 10 | | W | |
| 76- 62 | SPRING WASHER 8 | 22217-080000 | 2 | 2 | | 10 | | W | |
| 76- 63 | BOLT M6 x 16 | 26013-060162 | 4 | 4 | | 10 | | W | |
| 76- 64 | BOLT M8 x 16 | 26116-080162 | 2 | 2 | | 10 | | W | |
| 76- 65 | NUT M8 | 26716-080002 | 2 | 2 | | 10 | | W | |
| 76- 66 | NUT M8 | 26716-080002 | 2 | 2 | | 10 | | W | |
| 76- 67 | NUT M12 | 26716-120002 | 4 | 4 | | 10 | | W | |
| 76- 68 | BRACKET, licence plate | 194340-63610 | 1 | 1 | | | | W | |
| 76- 69 | STAY, licence plate | 194340-63680 | 1 | 1 | | | | W | |
| 76- 70 | WASHER 6 | 22117-060000 | 1 | 1 | | 10 | | W | |
| 76- 71 | WASHER 8 | 22117-080000 | 2 | 2 | | 10 | | W | |

Fig. 76 FENDERS, STEPS & SEAT (PORTUGAL) [YM155, YM155D]

| Refer. No. | Description | Part No. | Qty/Unit | | | Sales Unit | Inter-changeability | Design-change Mark | Remarks |
|------------|---------------------|----------------|----------|--------|-------|------------|---------------------|--------------------|---------|
| | | | YM155 | YM155D | YM135 | | | | |
| 76- 72 | SPRING WASHER 6 | 22217-060000 | 1 | 1 | | 10 | w | | |
| 76- 73 | SPRING WASHER 8 | 22217-080000 | 2 | 2 | | 10 | w | | |
| 76- 74 | SPRING WASHER 8 | 22217-080000 | 1 | 1 | | 10 | w | | |
| 76- 75 | BOLT M6 x 16 | 26013-060162 | 1 | 1 | | 10 | w | | |
| 76- 76 | BOLT M6 x 16 | 26116-060162 | 1 | 1 | | 10 | w | | |
| 76- 77 | BOLT M8 x 20 | 26116-080202 | 2 | 2 | | 10 | w | | |
| 76- 78 | U-NUT M8 | 26346-080002 | 2 | 2 | | 10 | w | | |
| 76- 79 | U-NUT M8 | 26346-080002 | 1 | 1 | | 10 | w | | |
| 76- 80 | NUT M6 | 26716-060002 | 1 | 1 | | 10 | w | | |
| 76- 81 | NUT M8 | 26716-080002 | 2 | 2 | | 10 | w | | |
| 76- 82 | REFLECTOR, complete | 194200-62220 | 2 | 2 | | | | | |
| 76- 83 | BRACKET (L), fender | 194200-62300-R | 1 | 1 | | | | | |

Fig. 77 FENDERS, STEPS & SEAT (U.S.A.) [YM135, YM135D]

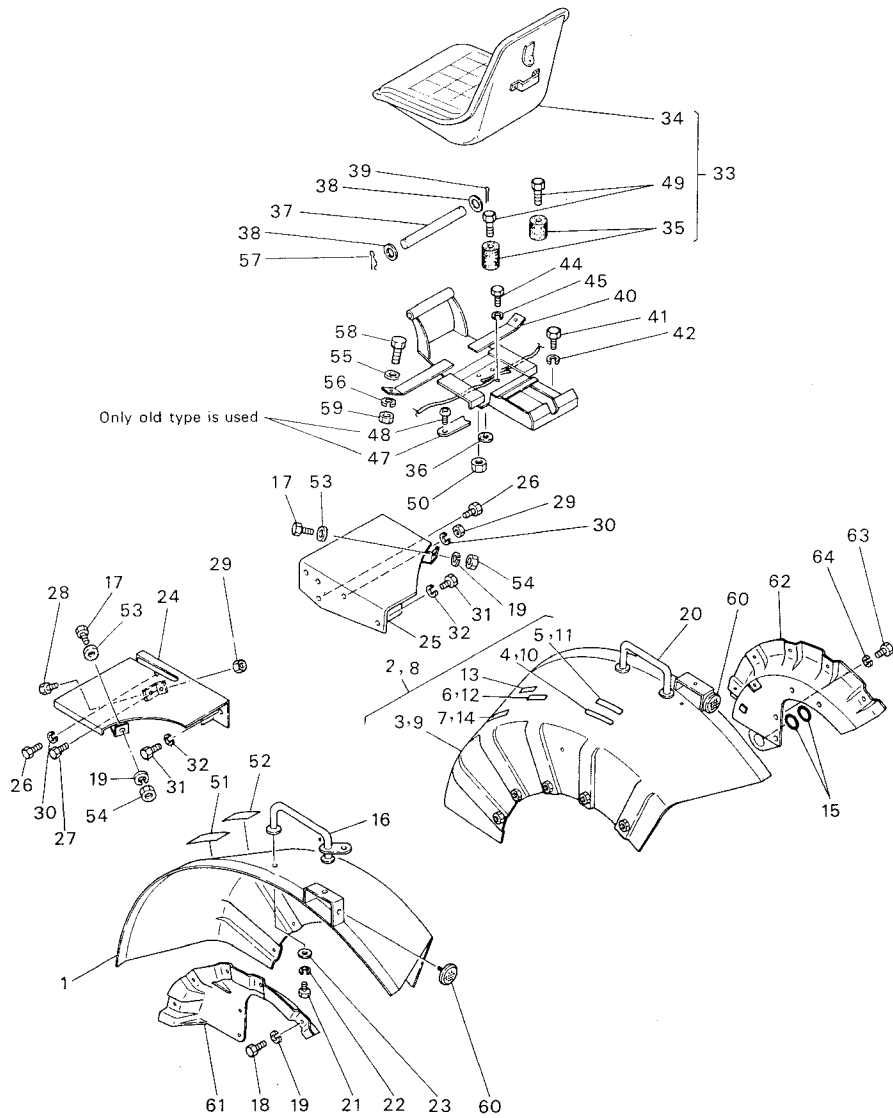


Fig. 77 FENDERS, STEPS & SEAT (U.S.A.) [YM135, YM135D]

| Refer. No. | Description | Part No. | Qty/Unit | | | | Interchangeability | Design Change Mark | Remarks |
|------------|----------------------------------|--------------|----------|--------|-------|--------|--------------------|--------------------|---------|
| | | | YM155 | YM155D | YM135 | YM135D | | | |
| 77- 1 | FENDER (L) | 194262-62101 | | | 1 | 1 | | | |
| 77- 2 | FENDER (R) w/LABELS | 794390-62040 | | | 1 | | | | |
| 77- 3 | FENDER (R) | 194262-62111 | | | 1 | | | | |
| 77- 4 | LABEL, slow return valve | 194340-65690 | | | 1 | | Z | | |
| 77- 5 | LABEL, hydraulic lift indication | 194240-65510 | | | 1 | | Z | | |
| 77- 6 | LABEL, L.H. indication | 194340-65601 | | | 1 | | Z | | |
| 77- 7 | LABEL, differential lock | 194340-65441 | | | 1 | | Z | | |
| 77- 8 | FENDER (R) w/LABELS | 794391-62040 | | | | 1 | | | |
| 77- 9 | FENDER (R) | 194262-62111 | | | | 1 | | | |
| 77- 10 | LABEL, slow return valve | 194340-65690 | | | 1 | | Z | | |
| 77- 11 | LABEL, hydraulic lift indication | 194240-65510 | | | 1 | | Z | | |
| 77- 12 | LABEL, L.H. indication | 194340-65601 | | | 1 | | Z | | |
| 77- 13 | LABEL, front P.T.O. | 194341-65661 | | | 1 | | Z | | |
| 77- 14 | LABEL, differential lock | 194340-65441 | | | 1 | | Z | | |
| 77- 15 | O-RING 18-P | 24311-000180 | | | 1 | 10 | | | |
| | O-RING 19-P | 24311-000180 | | | 2 | 10 | K | [1] | |
| 77- 16 | BAR (L), assist | 194390-62430 | | | 1 | 1 | | | |
| 77- 17 | BOLT M8 x 20 | 26116-080202 | | | 2 | 10 | | | |
| 77- 18 | BOLT M8 x 16 | 26116-080162 | | | 8 | 10 | | | |
| | BOLT M8 x 16 | 26013-080162 | | | 8 | 10 | N | | |
| 77- 19 | SPRING WASHER 8 | 22217-080000 | | | 10 | 10 | | | |
| | SPRING WASHER 8 | 22217-080000 | | | 2 | 10 | K | | |

Fig. 77 FENDERS, STEPS & SEAT (U.S.A.) [YM135, YM135D]

| Refer. No. | Description | Part No. | Qty/Unit | | | Sales Unit | Inter-change ability | Design-change Mark | Remarks |
|---|-------------------------------|-------------------------|----------|--------|--------|------------|----------------------|---|---------|
| | | | YM155 | YM155D | YM135 | | | | |
| | | | YM135D | YM135 | YM135D | | | | |
| 77- 20 | BAR (R), assist | 194262-62400 | | 1 | 1 | | | | |
| 77- 21 | BOLT M8 x 16 | 26116-080162 | | 4 | 4 | 10 | | | |
| | BOLT M8 x 16 | 26013-080162 | | 4 | 4 | 10 | N | | |
| 77- 22 | SPRING WASHER 8 | 22217-080000 | | 4 | 4 | 10 | Z | | |
| 77- 23 | WASHER 8, plain | 22117-080000 | | 4 | 4 | 10 | | | |
| 77- 24 | STEP (L) | 194262-62510 | | 1 | 1 | | | | |
| 77- 25 | STEP (R) | 194262-62520 | | 1 | 1 | | | | |
| | STEP (R) | 194262-62521 | | 1 | 1 | | N | YM135 from No. 51183 YM135D from No. 51209 | |
| 77- 26 | BOLT M10 x 20 | 26116-100202 | | 4 | 4 | 10 | | | |
| 77- 27 | BOLT M10 x 25 | 26116-100252 | | 1 | 1 | 10 | | | |
| 77- 28 | BOLT M10 x 40 | 26116-100404 | | 1 | 1 | 10 | | | |
| 77- 29 | NUT M10 | 26716-100002 | | 2 | 2 | 10 | | | |
| 77- 30 | SPRING WASHER 10 | 22217-100000 | | 6 | 6 | 10 | | | |
| 77- 31 | BOLT M8 x 20 | 26116-080202 | | 2 | 2 | 10 | | | |
| 77- 32 | SPRING WASHER 8 | 22217-080000 | | 2 | 2 | 10 | | | |
| 77- 33 | SEAT, complete, operator's | 794200-63100 | | 1 | 1 | | Z | E | |
| 77- 34 | .SEAT, operator's | 194151-63112 | | 1 | 1 | | | | |
| | .SEAT, operator's | 194240-63102-X | | 1 | 1 | | S | E | |
| 77- 35 | .CUSHION, seat | 194200-63140 | | 2 | 2 | | | | |
| 77- 36 | PACKING, breather pipe saddle | 194200-63310 | | 1 | 1 | | | | |
| 77- 37 | PIN 8 x 165, seat hinge | 194200-63180 | | 1 | 1 | | | | |
| | PIN 8 x 205, seat hinge | 194140-63221 | | 1 | 1 | | S | E | |
| 77- 38 | WASHER 8, plain | 22117-080000 | | 2 | 2 | 10 | | | |
| 77- 39 | COTTER PIN 2 x 20 | 22417-200200 | | 2 | 2 | 10 | | | |
| | COTTER PIN 2 x 15 | 22417-200150 | | 1 | 1 | 10 | N | | |
| 77- 40 | BRACKET, operator's seat | 194262-63210 | | 1 | 1 | | | | |
| | BRACKET, operator's seat | 194262-63211 | | 1 | 1 | | S | [3] | |
| | BRACKET, operator's seat | 194390-63210 | | 1 | 1 | | S | E | |
| E: Change effective units YM135 - from No. 51183 | | YM135D - from No. 51209 | | | | | | | |

Fig. 77 FENDERS, STEPS & SEAT (U.S.A.) [YM135, YM135D]

| Refer. No. | Description | Part No. | Qty/Unit | | | Sales Unit | Inter-change ability | Design-change Mark | Remarks |
|------------|---------------------|--------------|----------|--------|--------|------------|----------------------|---|---------|
| | | | YM155 | YM155D | YM135 | | | | |
| | | | YM135D | YM135 | YM135D | | | | |
| 77- 41 | BOLT M12 x 25 | 26116-120252 | | 2 | 2 | 10 | | | |
| 77- 42 | SPRING WASHER 12 | 22217-120000 | | 2 | 2 | 10 | | | |
| 77- 43 | CLAMP (8) | 194200-56410 | | 1 | 1 | | Z | [1] | |
| 77- 44 | BOLT M10 x 20 | 26116-100202 | | 3 | 3 | 10 | | | |
| 77- 45 | SPRING WASHER 10 | 22217-100000 | | 3 | 3 | 10 | | | |
| 77- 46 | WASHER 10, plain | 22117-100000 | | 1 | 1 | 10 | Z | [1] | |
| 77- 47 | PLATE, cushion | 194200-63300 | | 1 | 1 | | | | |
| | PLATE, cushion | 194200-63301 | | 1 | 1 | | N | [2] | |
| | PLATE, cushion | 194200-63301 | | 1 | 1 | | N | [3] | |
| | PLATE, cushion | 194200-63301 | | 1 | 1 | | Z | [5] | |
| 77- 48 | SCREW M6 x 12 | 26557-060122 | | 1 | 1 | 10 | Z | [5] | |
| 77- 49 | BOLT M8 x 30 | 26116-080302 | | 2 | 2 | 10 | W | YM135 from No. 51183 YM135D from No. 51209 | |
| 77- 50 | NUT M8 | 26347-080002 | | 2 | 2 | 10 | W | | |
| | U-NUT M8 | 26346-080002 | | 2 | 2 | 10 | N | | |
| 77- 51 | LABEL, caution | 194240-65620 | | 1 | 1 | | W | | |
| | LABEL, caution | 194240-65620 | | 1 | 1 | | Z | | |
| 77- 52 | LABEL, P.T.O. | 194340-65780 | | 1 | 1 | | W | YM135 from No. 51158 YM135D from No. 51189 | |
| | LABEL, P.T.O. | 194340-65780 | | 1 | 1 | | Z | | |
| 77- 53 | WASHER 8 | 22117-080000 | | 2 | 2 | 10 | W | | |
| 77- 54 | NUT M8 | 26716-080002 | | 2 | 2 | 10 | W | | |
| 77- 55 | WASHER 8 | 22117-080000 | | 2 | 2 | 10 | W | | |
| 77- 56 | SPRING WASHER 8 | 22217-080000 | | 2 | 2 | 10 | W | | |
| 77- 57 | SNAP PIN 8 | 22360-080000 | | 1 | 1 | 10 | W | | |
| 77- 58 | BOLT M8 x 20 | 26116-080202 | | 2 | 2 | 10 | W | | |
| 77- 59 | NUT M8 | 26716-080002 | | 2 | 2 | 10 | W | | |
| 77- 60 | REFLECTOR, complete | 194200-62220 | | 2 | 2 | | | | |
| 77- 61 | BRACKET (L), fender | 194262-62300 | | 1 | 1 | | | | |
| 77- 62 | BRACKET (R), fender | 194262-62310 | | 1 | 1 | | | | |
| 77- 63 | BOLT M10 x 65 | 26116-100652 | | 2 | 2 | 10 | | | |
| 77- 64 | SPRING WASHER 10 | 22217-100000 | | 2 | 2 | 10 | | | |

Fig. 78 FENDERS, STEPS & SEAT (FRANCE) [YM135,YM135D]

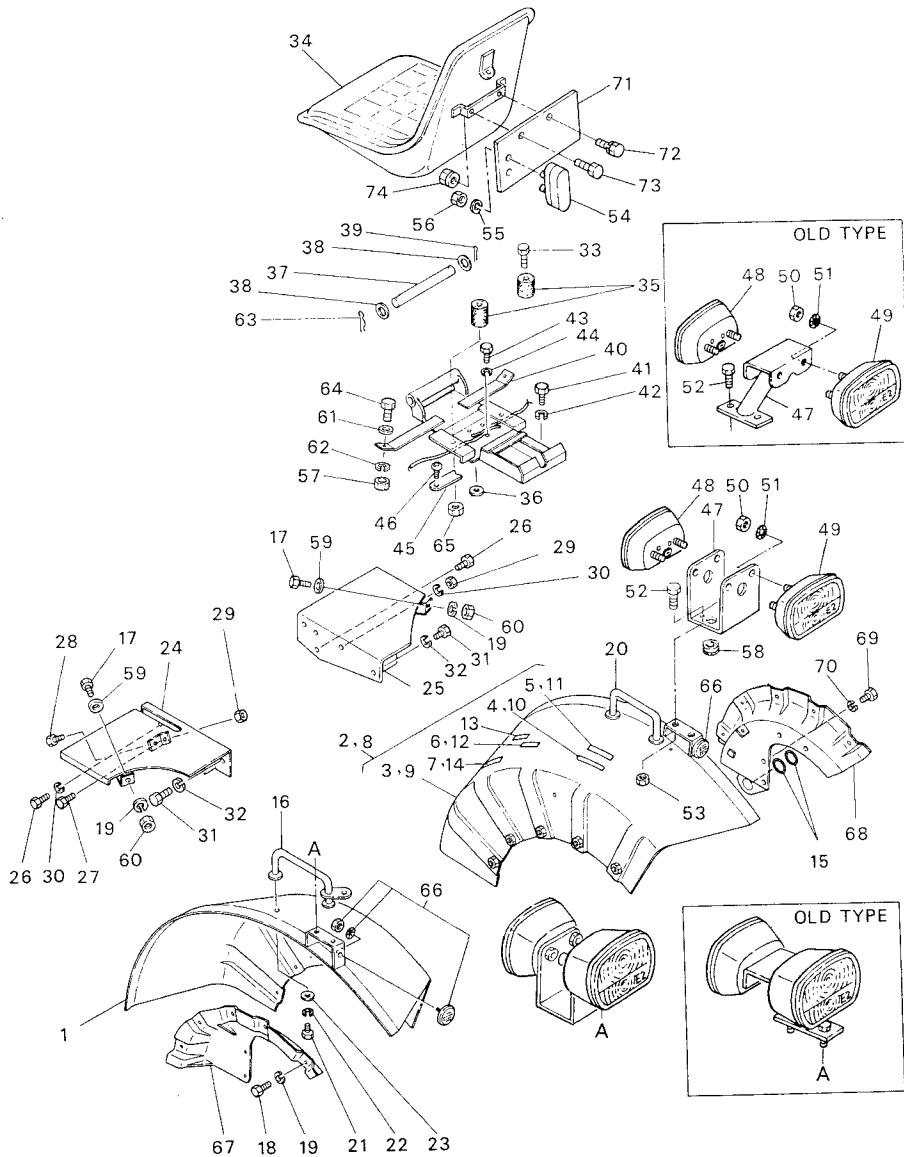


Fig. 78 FENDERS, STEPS & SEAT (FRANCE) [YM135,YM135D]

| Refer. No. | Description | Part No. | Q'ty/Unit | | | | Inter-changeability | Design-change Mark | Remarks |
|------------|----------------------------------|--------------|-----------|--------|-------|--------|---------------------|--------------------|---------|
| | | | YM135 | YM135D | YM135 | YM135D | | | |
| 78- 1 | FENDER (L) | 194262-62101 | | | 1 | 1 | | | |
| 78- 2 | FENDER (R) w/LABELS | 794390-62040 | | | 1 | 1 | | | |
| 78- 3 | FENDER (R) | 194262-62111 | | | 1 | 1 | | | |
| 78- 4 | LABEL, slow return valve | 194340-98420 | | | 1 | 1 | Z | | |
| 78- 5 | LABEL, hydraulic lift indication | 194240-98380 | | | 1 | 1 | Z | | |
| 78- 6 | LABEL, L.H. indication | 194340-98370 | | | 1 | 1 | Z | | |
| 78- 7 | LABEL, differential lock | 194240-98360 | | | 1 | 1 | Z | | |
| 78- 8 | FENDER (R) w/LABELS | 794391-62040 | | | 1 | 1 | | | |
| 78- 9 | FENDER (R) | 194262-62111 | | | 1 | 1 | | | |
| 78- 10 | LABEL, slow return valve | 194340-98420 | | | 1 | 1 | Z | | |
| 78- 11 | LABEL, hydraulic lift indication | 194240-98380 | | | 1 | 1 | Z | | |
| 78- 12 | LABEL, L.H. indication | 194340-98370 | | | 1 | 1 | Z | | |
| 78- 13 | LABEL, front P.T.O. | 194341-98350 | | | 1 | 1 | Z | | |
| 78- 14 | LABEL, differential lock | 194240-98360 | | | 1 | 1 | Z | | |
| 78- 15 | O-RING 18-P | 24311-000180 | | | 2 | 2 | 10 | | |
| 78- 16 | BAR (L), assist | 194390-62430 | | | 1 | 1 | | | |
| 78- 17 | BOLT M8 x 20 | 26116-080202 | | | 2 | 2 | 10 | | |
| 78- 18 | BOLT M8 x 16 | 26116-080162 | | | 8 | 8 | 10 | | |
| | BOLT M8 x 16 | 26013-080162 | | | 8 | 8 | 10 | N | |
| 78- 19 | SPRING WASHER 8 | 22217-080000 | | | 10 | 10 | 10 | | |
| | SPRING WASHER 8 | 22217-080000 | | | 2 | 2 | 10 | K | |

Fig. 78 FENDERS, STEPS & SEAT (FRANCE) [YM135, YM135D]

| Refer. No. | Description | Part No. | Q'ty/Unit | | | | Inter-change ability | Design-change Mark | Remarks |
|------------|-------------------------------|----------------|-----------|--------|-------|--------|----------------------|---|---------|
| | | | YM155 | YM155D | YM135 | YM135D | | | |
| 78- 20 | BAR (R), assist | 194262-62400 | | | 1 | 1 | | | |
| 78- 21 | BOLT M8 x 16 | 26116-080162 | | | 4 | 4 | 10 | | |
| | BOLT M8 x 16 | 26013-080162 | | | 4 | 4 | 10 | N | |
| 78- 22 | SPRING WASHER 8 | 22217-080000 | | | 4 | 4 | 10 | Z | |
| 78- 23 | WASHER 8, plain | 22117-080000 | | | 4 | 4 | 10 | | |
| 78- 24 | STEP (L) | 194262-62510 | | | 1 | 1 | | | |
| 78- 25 | STEP (R) | 194262-62521 | | | 1 | 1 | | YM135 from No. 51183 YM135D from No. 51209 | |
| 78- 26 | BOLT M10 x 20 | 26116-100202 | | | 4 | 4 | 10 | | |
| 78- 27 | BOLT M10 x 25 | 26116-100252 | | | 1 | 1 | 10 | | |
| 78- 28 | BOLT M10 x 40 | 26116-100404 | | | 1 | 1 | 10 | | |
| 78- 29 | NUT M10 | 26716-100002 | | | 2 | 2 | 10 | | |
| 78- 30 | SPRING WASHER 10 | 22217-100000 | | | 6 | 6 | 10 | | |
| 78- 31 | BOLT M8 x 20 | 26116-080202 | | | 2 | 2 | 10 | | |
| 78- 32 | SPRING WASHER 8 | 22217-080000 | | | 2 | 2 | 10 | | |
| 78- 33 | BOLT M8 x 30 | 26116-080302 | | | 2 | 2 | 10 | | |
| 78- 34 | SEAT, operator's | 194240-63102-X | | | 1 | 1 | | | |
| 78- 35 | CUSHION, seat | 194200-63140 | | | 2 | 2 | | | |
| 78- 36 | PACKING, breather pipe saddle | 194200-63310 | | | 1 | 1 | | | |
| 78- 37 | PIN 8 x 205, seat hinge | 194140-63221 | | | 1 | 1 | | | |
| 78- 38 | WASHER 8, plain | 22117-080000 | | | 2 | 2 | 10 | | |
| 78- 39 | COTTER PIN 2 x 20 | 22417-200200 | | | 2 | 2 | 10 | | |
| | COTTER PIN 2 x 15 | 22417-200150 | | | 1 | 1 | 10 | N | |
| 78- 40 | BRACKET, operator's seat | 194390-63210 | | | 1 | 1 | | | |
| 78- 41 | BOLT M12 x 25 | 26116-120252 | | | 2 | 2 | 10 | | |
| 78- 42 | SPRING WASHER 12 | 22217-120000 | | | 2 | 2 | 10 | | |
| 78- 43 | BOLT M10 x 20 | 26116-100202 | | | 3 | 3 | 10 | | |
| 78- 44 | SPRING WASHER 10 | 22217-100000 | | | 3 | 3 | 10 | | |

Fig. 78 FENDERS, STEPS & SEAT (FRANCE) [YM135, YM135D]

| Refer. No. | Description | Part No. | Q'ty/Unit | | | | Inter-change ability | Design-change Mark | Remarks |
|------------|----------------------------|-----------------------------|-----------|--------|-------|--------|----------------------|--------------------|---------|
| | | | YM155 | YM155D | YM135 | YM135D | | | |
| 78- 45 | PLATE, cushion | 194200-63301 | | | 1 | 1 | | Z [5] | |
| 78- 46 | SCREW M6 x 12 | 26557-060122 | | | 1 | 1 | 10 | Z [5] | |
| 78- 47 | BRACKET, signal lamp | 194340-62250 | | | 2 | 2 | | | |
| | BRACKET, signal lamp | 194240-62250 | | | 2 | 2 | | | |
| 78- 48 | SIGNAL LAMP (E633) | Local prepare (59.10.01700) | | | 2 | 2 | | | |
| 78- 49 | SIGNAL LAMP (E631) | Local prepare (59.10.00800) | | | 2 | 2 | | | |
| 78- 50 | NUT | Local prepare (59.10.01200) | | | 4 | 4 | | | |
| 78- 51 | WASHER | Local prepare (59.10.01500) | | | 4 | 4 | | | |
| 78- 52 | BOLT M6 x 16 | 26116-060162 | | | 4 | 4 | 10 | | |
| | BOLT M6 x 16 | 26013-060162 | | | 4 | 4 | 10 | N | |
| 78- 53 | NUT M6 | 26716-060002 | | | 4 | 4 | 10 | | |
| 78- 54 | LIGHT ASS'Y, licence plate | 194436-53800 | | | 1 | 1 | | | |
| 78- 55 | SPRING WASHER 5 | 22217-050000 | | | 2 | 2 | | | |
| 78- 56 | NUT M5 | 26716-050002 | | | 2 | 2 | 10 | | |
| 78- 57 | NUT M8 | 26716-080002 | | | 2 | 2 | 10 | | |
| 78- 58 | GROMMET 8 | 194080-58810 | | | 2 | 2 | | | |
| 78- 59 | WASHER 8 | 22117-080000 | | | 2 | 2 | 10 | W | |
| 78- 60 | NUT M8 | 26716-080002 | | | 2 | 2 | 10 | W | |
| 78- 61 | WASHER 8 | 22117-080000 | | | 2 | 2 | 10 | W | |
| 78- 62 | SPRING WASHER 8 | 22217-080000 | | | 2 | 2 | 10 | W | |
| 78- 63 | SNAP PIN 8 | 22360-080000 | | | 1 | 1 | 10 | W | |
| 78- 64 | BOLT M8 x 20 | 26116-080202 | | | 2 | 2 | 10 | W | |
| 78- 65 | U-NUT M8 | 26346-080002 | | | 2 | 2 | 10 | W | |

Fig. 78 FENDERS, STEPS & SEAT (FRANCE) [YM135, YM135D]

| Refer. No. | Description | Part No. | Qty/Unit | | | | Inter-change ability | Design-change Mark | Remarks |
|------------|---------------------|--------------------------------|----------|--------|-------|--------|----------------------|--------------------|---------|
| | | | YM135 | YM135D | YM135 | YM135D | | | |
| 78- 66 | REFLECTOR, complete | Local prepare (59.10.02500) | | | 2 | 2 | | | |
| 78- 67 | BRACKET (L), fender | 194200-62300 | | | 1 | 1 | | | |
| 78- 68 | BRACKET (R), fender | 194200-62311 | | | 1 | 1 | | | |
| 78- 69 | BOLT M10 x 65 | 26116-100652 | | | 2 | 2 | 10 | | |
| 78- 70 | SPRING WASHER 10 | 22217-100000 | | | 2 | 2 | 10 | | |
| 78- 71 | PLATE, licence | 194436-64510 | | | 1 | 1 | | | |
| 78- 72 | BOLT M6 x 12 | 26013-060122 | | | 1 | 1 | 10 | | |
| 78- 73 | BOLT M6 x 12 | 26116-060122 | | | 1 | 1 | 10 | | |
| 78- 74 | NUT M | 194990-22130 | | | 1 | 1 | 10 | | |

Fig. 79 REAR HITCH (EXCEPT ENGLAND & PORTUGAL) [YM155,YM155D]

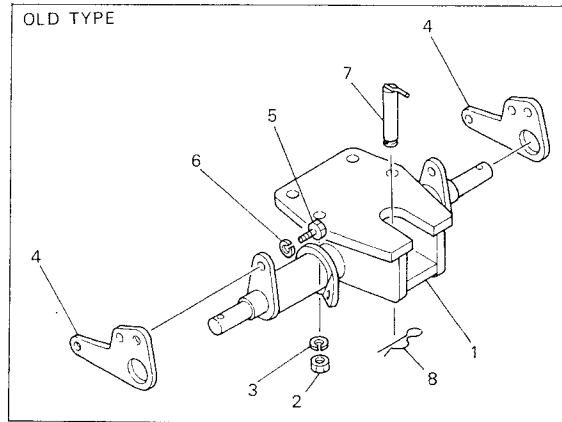
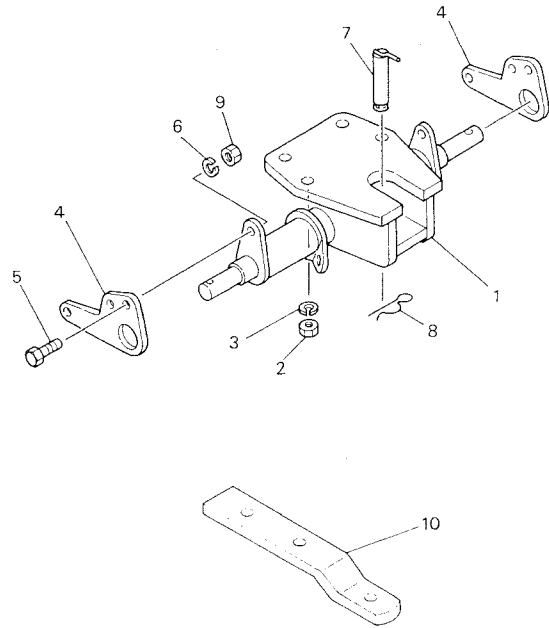


Fig. 79 REAR HITCH (EXCEPT ENGLAND & PORTUGAL) [YM155,YM155D]

| Refer. No. | Description | Part No. | Qty/Unit | | | | Sales Unit | Interchangeability | Design Mark | Remarks |
|------------|-----------------------|----------------|----------|--------|-------|--------|------------|--------------------|--------------------------------------|---------|
| | | | YM155 | YM155D | YM135 | YM135D | | | | |
| 79- 1 | HITCH, complete, rear | 194340-75410-X | 1 | 1 | | | | | | |
| 79- 2 | NUT M14 | 26716-140002 | 4 | 4 | | | 10 | | | |
| 79- 3 | SPRING WASHER 14 | 22217-140000 | 4 | 4 | | | 10 | | | |
| 79- 4 | HINGE, lower link | 194200-75510 | 2 | 2 | | | | | | |
| | HINGE, lower link | 194200-75502-X | 2 | 2 | | | | F [4] | Interchangeable by set with 79-5, 9. | |
| 79- 5 | BOLT M12 x 25 | 26116-120252 | 2 | 2 | | | 10 | | | |
| | BOLT M12 x 35 | 26116-120352 | 2 | 2 | | | 10 | S [4] | | |
| 79- 6 | SPRING WASHER 12 | 22217-120000 | 2 | 2 | | | 10 | | | |
| 79- 7 | PIN, rear hitch | 194340-75530 | 1 | 1 | | | | | | |
| 79- 8 | SNAP PIN 19 | 22360-190000 | 1 | 1 | | | 10 | | | |
| 79- 9 | NUT M12 | 26716-120002 | 2 | 2 | | | 10 | W [4] | | |
| 79- 10 | HITCH, drawbar | 194340-75650 | 1 | 1 | | | | | | |

Fig. 80 REAR HITCH (ENGLAND & PORTUGAL) [YM155,YM155D]

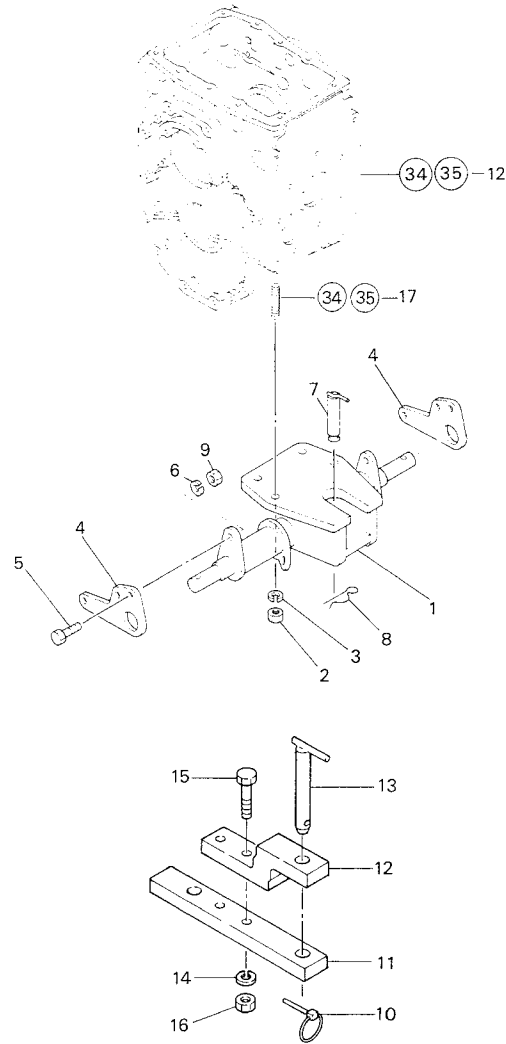


Fig. 80 REAR HITCH (ENGLAND & PORTUGAL) [YM155,YM155D]

| Refer. No. | Description | Part No. | Qty. Unit | | | | Interchangeability | Design Change Mark | Remarks |
|------------|-----------------------|----------------|-----------|--------|-------|--------|--------------------|--------------------------------------|---------|
| | | | YM155 | YM155D | YM135 | YM135D | | | |
| 80- 1 | HITCH, complete, rear | 194340-75410-X | 1 | 1 | | | | | |
| 80- 2 | NUT M14 | 26716-140002 | 4 | 4 | | | | | |
| 80- 3 | SPRING WASHER 14 | 22217-140000 | 4 | 4 | | | | | |
| 80- 4 | HINGE, lower link | 194200-75510 | 2 | 2 | | | | | |
| | HINGE, lower link | 194200-75502-X | 2 | 2 | | | F [4] | Interchangeable by set with 80-5, 9. | |
| 80- 5 | BOLT M12 x 35 | 26116-120352 | 2 | 2 | | | | | |
| 80- 6 | SPRING WASHER 12 | 22217-120000 | 2 | 2 | | | | | |
| 80- 7 | PIN, rear hitch | 194340-75560 | 1 | 1 | | | | | |
| 80- 8 | SNAP PIN 19 | 22360-190000 | 1 | 1 | | | | | |
| 80- 9 | NUT M12 | 26716-120002 | 2 | 2 | | | W [4] | | |
| 80- 10 | PIN, ball socket | 794130-74140 | 1 | 1 | | | | | |
| 80- 11 | HITCH (A), drawbar | 194340-75670 | 1 | 1 | | | | | |
| 80- 12 | HITCH (B), drawbar | 194340-75680 | 1 | 1 | | | | | |
| 80- 13 | PIN 22 x163.5, hitch | 194242-75740 | 1 | 1 | | | | | |
| 80- 14 | SPRING WASHER 16 | 22217-160000 | 2 | 2 | | | | | |
| 80- 15 | BOLT M16 x 70 | 26116-160702 | 2 | 2 | | | | | |
| 80- 16 | NUT M16 | 26716-160002 | 2 | 2 | | | | | |

Fig. 81 THREE-POINT HITCH CATEGORY 1 (U.S.A. & S.AFRICA)

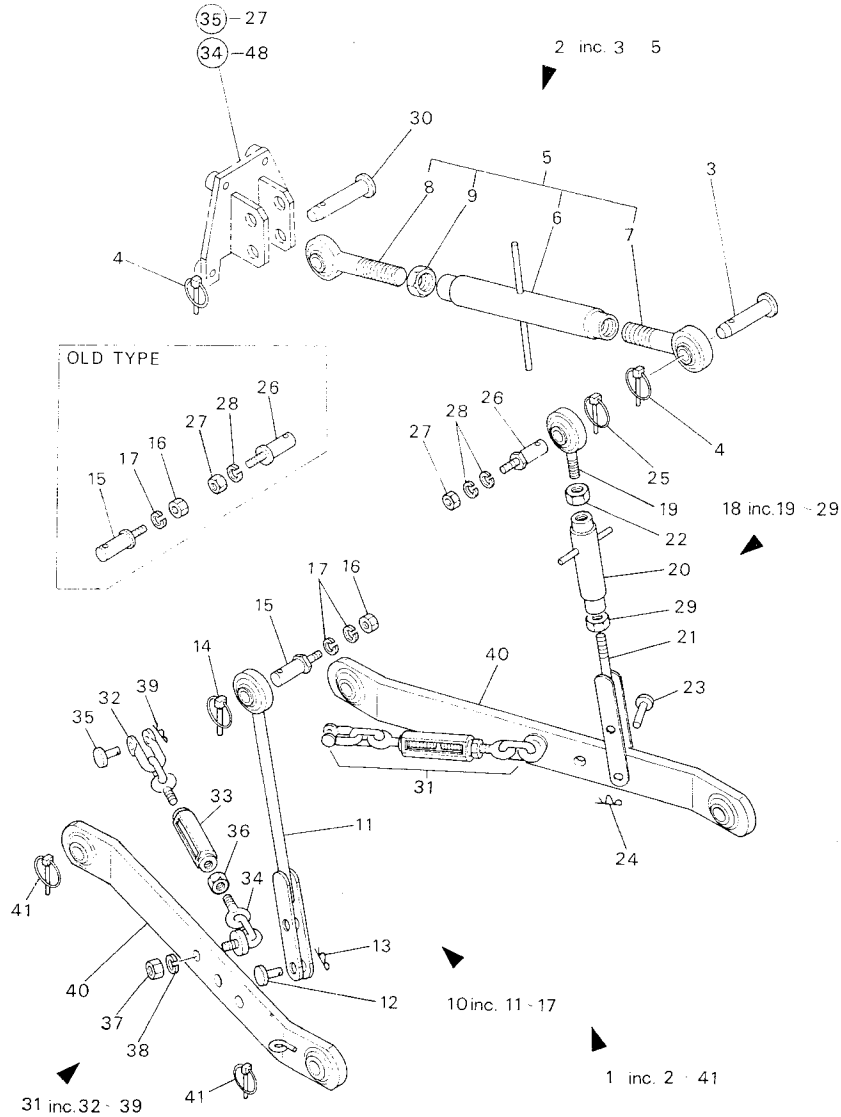


Fig. 81 THREE-POINT HITCH CATEGORY 1 (U.S.A. & S.AFRICA)

| Refer. No. | Description | Part No. | Q'ty/Unit | | | Sales Unit | Inter-change ability | Design-change Mark | Remarks |
|------------|-------------------------------|----------------|-----------|--------|-------|------------|----------------------|--------------------|--------------|
| | | | YMI55 | YMI55D | YMI35 | | | | |
| 81- 1 | 3-POINT HITCH ASS'Y | 794340-00010-X | 1 | 1 | 1 | 1 | | | Inc. 81-2~41 |
| 81- 2 | LINK ASS'Y, top | 794340-00040-X | 1 | 1 | 1 | 1 | | | |
| 81- 3 | .PIN, top link | 194150-71230 | 2 | 2 | 2 | 2 | | | |
| | .PIN, top link | 194150-71230 | 1 | 1 | 1 | 1 | | K | |
| 81- 4 | .PIN ASS'Y, ball & socket | 794130-71410 | 2 | 2 | 2 | 2 | | | |
| 81- 5 | .LINK, complete, top | 794340-71090-X | 1 | 1 | 1 | 1 | | | |
| 81- 6 | .TURN BUCKLE, top link | 194340-71110-X | 1 | 1 | 1 | 1 | | | 6 |
| 81- 7 | .EYE BOLT(L) w/BALL, top link | 794150-71260-X | 1 | 1 | 1 | 1 | | | |
| 81- 8 | .EYE BOLR(R) w/BALL, top link | 794150-71360-X | 1 | 1 | 1 | 1 | | | |
| 81- 9 | .NUT M24, top link | 194150-71140 | 1 | 1 | 1 | 1 | | | |
| | .NUT M24 | 26756-240002 | 1 | 1 | 1 | 10 | | N | |
| 81- 10 | LINK ASS'Y (L), lift | G21550-00050-X | 1 | 1 | 1 | 1 | | | |
| | LINK ASS'Y (L), lift | 794340-00050-X | 1 | 1 | 1 | 1 | | S | [4] |
| 81- 11 | .LINK (L), complete, lift | 194190-72300 | 1 | 1 | 1 | 1 | | | |
| | .LINK (L), complete, lift | 194190-72301-X | 1 | 1 | 1 | 1 | | N | |
| 81- 12 | .PIN, lift yoke | 194150-72460 | 1 | 1 | 1 | 1 | | | |
| 81- 13 | .SNAP PIN 2.4 | 194150-74850 | 1 | 1 | 1 | 10 | | | |
| 81- 14 | .PIN ASS'Y, ball & socket | 794130-71410 | 1 | 1 | 1 | 1 | | | |
| 81- 15 | .PIN, lift arm | A21550-10050 | 1 | 1 | 1 | 1 | | | |
| | .PIN, lift arm | 194340-10050 | 1 | 1 | 1 | 1 | | S | [4] |
| 81- 16 | .NUT M12 | 26716-120002 | 1 | 1 | 1 | 10 | | | |
| | .NUT M14 | 26716-140002 | 1 | 1 | 1 | 10 | | S | [4] |
| 81- 17 | .SPRING WASHER 12 | 22217-120000 | 1 | 1 | 1 | 10 | | | |
| | .SPRING WASHER 14 | 22217-140000 | 1 | 1 | 1 | 10 | | S | [4] |
| 81- 18 | LINK ASS'Y (R), lift | 794340-10060-X | 1 | 1 | 1 | 1 | | | |
| | LINK ASS'Y (R), lift | 794340-10061-X | 1 | 1 | 1 | 1 | | S | [4] |
| 81- 19 | .BOLT(R), complete, lift link | 194340-72200-X | 1 | 1 | 1 | 1 | | | Misprint |
| | .BOLT(R), complete, lift link | 194190-72200-X | 1 | 1 | 1 | 1 | | | |
| 81- 20 | .TURNBUCKLE, lift link | 194340-72230-X | 1 | 1 | 1 | 1 | | | |
| 81- 21 | LINK (R), lift | 194190-72240 | 1 | 1 | 1 | 1 | | | Misprint |
| | LINK (R), lift | 194340-72240-X | 1 | 1 | 1 | 1 | | | Misprint |
| | LINK (R), lift | 194190-72241-X | 1 | 1 | 1 | 1 | | | Misprint |

Fig. 81 THREE-POINT HITCH CATEGORY 1 (U.S.A. & S.AFRICA)

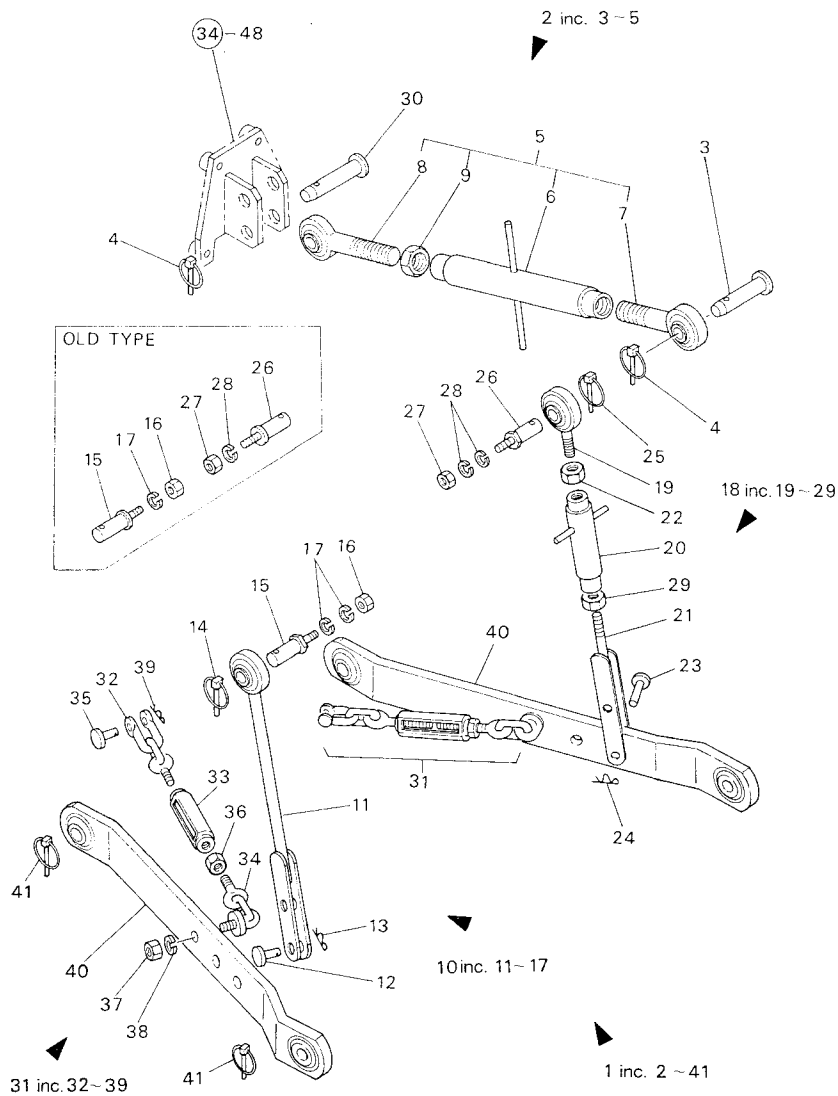
| Refer. No. | Description | Part No. | Qty/Unit | | | | Sales Unit | Inter-change ability | Design-change Mark | Remarks |
|------------|-------------------------------|-------------------------|--------------|--------------|--------------|--------------|---------------|----------------------|--------------------|----------|
| | | | YM155 | YM155D | YM135 | YM135D | | | | |
| 81- 22 | .LOCK NUT M18 | 194150-72241 | 1 | 1 | 1 | 1 | 10 | | | Misprint |
| | .LOCK NUT M18 x 1.5 | 194150-72240 | 1 | 1 | 1 | 1 | 10 | | | |
| | .LOCK NUT M18 | 26737-180002 | 1 | 1 | 1 | 1 | 10 | N | [1] | |
| | .LOCK NUT M18 | 26736-180002 | 1 | 1 | 1 | 1 | 10 | N | | |
| 81- 23 | .PIN, lift yoke | 194150-72460 | 1 | 1 | 1 | 1 | | | | |
| 81- 24 | .SNAP PIN 2.4 | 194150-74850 | 1 | 1 | 1 | 1 | 10 | | | |
| 81- 25 | .PIN ASS'Y, ball & socket | 794130-71410 | 1 | 1 | 1 | 1 | | | | |
| 81- 26 | .PIN, lift arm | A21550-10050 | 1 | 1 | 1 | 1 | | | | |
| | .PIN, lift arm | 194340-10050 | 1 | 1 | 1 | 1 | | S | [4] | |
| 81- 27 | .NUT M12 | 26716-120002 | 1 | 1 | 1 | 1 | 10 | | | |
| | .NUT M14 | 26716-140002 | 1 | 1 | 1 | 1 | 10 | S | [4] | |
| 81- 28 | .SPRING WASHER 12 | 22217-120000 | 1 | 1 | 1 | 1 | 10 | | | |
| | .SPRING WASHER 14 | 22217-140000 | 2 | 2 | 2 | 2 | 10 | S | [4] | |
| 81- 29 | .LS-LOCK NUT M18 x 1.5 | 194340-75740 | 1 | 1 | 1 | 1 | 10 | W | [4] | |
| 81- 30 | .PIN, hitch | 195080-15060 | 1 | 1 | 1 | 1 | | W | | |
| 81- 31 | CHECK CHAIN ASS'Y | 794150-74601 | 2 | 2 | 2 | 2 | | | | |
| | CHECK CHAIN ASS'Y | 794340-74600 | 2 | 2 | 2 | 2 | | N | [1] | |
| 81- 32 | .CHECK CHAIN, complete, front | 794150-74700 | 2 | 2 | 2 | 2 | | | | |
| | .CHECK CHAIN, complete, front | 194340-74700-X | 2 | 2 | 2 | 2 | | N | [1] | |
| 81- 33 | .TURNBUCKLE, check chain | 194150-74670 | 2 | 2 | 2 | 2 | | | | |
| | .TURNBUCKLE, check chain | 194150-74672-X | 2 | 2 | 2 | 2 | | N | [4] | |
| 81- 34 | .CHECK CHAIN, complete, rear | 794150-74801-X | 2 | 2 | 2 | 2 | | | | |
| | .CHECK CHAIN, complete, rear | 194340-74800-X | 2 | 2 | 2 | 2 | | N | [1] | |

Fig. 81 THREE-POINT HITCH CATEGORY 1 (U.S.A. & S.AFRICA)

| Refer. No. | Description | Part No. | Qty/Unit | | | | Sales Unit | Inter-change ability | Design-change Mark | Remarks |
|------------|--------------------------|--------------------|----------|--------|-------|--------|------------|----------------------|--------------------|----------|
| | | | YM155 | YM155D | YM135 | YM135D | | | | |
| 81- 35 | .PIN, shackle | 194150-74630 | 2 | 2 | 2 | 2 | | | | |
| 81- 36 | .LOCK NUT M14 | 26757-140002 | 2 | 2 | 2 | 2 | 10 | | | |
| | .LOCK NUT M14 | 26756-140002 | 2 | 2 | 2 | 2 | 10 | N | | |
| | | 26736-26716-160002 | 2 | 2 | 2 | 2 | 10 | | | Misprint |
| 81- 37 | .NUT M16 | 22217-160000 | 2 | 2 | 2 | 2 | 10 | | | |
| 81- 38 | .SPRING WASHER 16 | 22217-160000 | 2 | 2 | 2 | 2 | 10 | | | |
| 81- 39 | .SNAP PIN 2.4 | 194150-74850 | 2 | 2 | 2 | 2 | 10 | | | |
| 81- 40 | LINK, complete, lower | 194340-10100-X | 2 | 2 | 2 | 2 | | | | |
| 81- 41 | PIN ASS'Y, ball & socket | 794130-71410 | 4 | 4 | 4 | 4 | | | | |

Fig. 82 THREE-POINT HITCH CATEGORY 0 (EXCEPT S.AFRICA)

Fig. 82 THREE-POINT HITCH CATEGORY 0 (EXCEPT S.AFRICA)



| Refer. No. | Description | Part No. | Q'ty/Unit | | | Sales Unit | Inter-changeability | Design Mark | Remarks |
|------------|-------------------------------|--|-----------|-------|------|------------|---------------------|-------------|----------|
| | | | YM55 | YM55D | YM35 | | | | |
| 82- 1 | 3-POINT HITCH ASS'Y | 794340-00000-X | 1 | 1 | 1 | 1 | | | |
| 82- 2 | LINK ASS'Y, top | 794340-00030-X | 1 | 1 | 1 | 1 | | | |
| 82- 3 | .PIN, top link | 194150-71230 | 2 | 2 | 2 | 2 | | | |
| | .PIN, top link | 194150-71230 | 1 | 1 | 1 | 1 | | K | |
| 82- 4 | .PIN ASS'Y, ball & socket | 794130-71410 | 2 | 2 | 2 | 2 | | | |
| 82- 5 | .LINK, complete, top | 794150-71090-X | 1 | 1 | 1 | 1 | | | |
| 82- 6 | .TURNBUCKLE, top link | 194150-71110-X | 1 | 1 | 1 | 1 | | | |
| 82- 7 | .EYE BOLT(L) w/BALL, top link | 794150-71260-X | 1 | 1 | 1 | 1 | | | |
| 82- 8 | .EYE BOLT(R) w/BALL, top link | 794150-71360-X | 1 | 1 | 1 | 1 | | | |
| 82- 9 | .NUT M24, top link | 194150-71140 | 1 | 1 | 1 | 1 | 10 | | |
| | .LOCK NUT M24 | 26756-240002 | 1 | 1 | 1 | 1 | 10 | | N |
| 82- 10 | LINK ASS'Y (L), lift | GZ1550-00050-X | 1 | 1 | 1 | 1 | | | |
| | LINK ASS'Y (L), lift | 794340-00050-X | 1 | 1 | 1 | 1 | | S | {4} |
| 82- 11 | .LINK (L), complete, lift | 194190-72300 | 1 | 1 | 1 | 1 | | | |
| | .LINK (L), complete, lift | 194190-72301-X | 1 | 1 | 1 | 1 | | | N |
| 82- 12 | .PIN, lift yoke | 194150-72460 | 1 | 1 | 1 | 1 | | | |
| 82- 13 | .SNAP PIN 2.4 | 194150-74850 | 1 | 1 | 1 | 1 | 10 | | |
| 82- 14 | .PIN ASS'Y, ball & socket | 794130-71410 | 1 | 1 | 1 | 1 | | | |
| 82- 15 | .PIN, lift arm | A21550-10050 | 1 | 1 | 1 | 1 | | | |
| | .PIN, lift arm | 194340-10050 | 1 | 1 | 1 | 1 | | S | {4} |
| 82- 16 | .NUT M12 | 26716-120002 | 1 | 1 | 1 | 1 | 10 | | |
| | .NUT M14 | 26716-140002 | 1 | 1 | 1 | 1 | 10 | | S {4} |
| 82- 17 | .SPRING WASHER 12 | 22217-120000 | 1 | 1 | 1 | 1 | 10 | | |
| | .SPRING WASHER 14 | 22217-140000 | 2 | 2 | 2 | 2 | 10 | | S {4} |
| 82- 18 | LINK ASS'Y (R), lift | 794340-10060-X | 1 | 1 | 1 | 1 | | | |
| | LINK ASS'Y (R), lift | 794340-10061-X | 1 | 1 | 1 | 1 | | S | {4} |
| 82- 19 | .BOLT(R), complete, lift link | 194340-194190-72200-X | 1 | 1 | 1 | 1 | | | Misprint |
| 82- 20 | .TURNBUCKLE, lift link | 194340-72230-X | 1 | 1 | 1 | 1 | | | |
| 82- 21 | .LINK (R), lift | 194190-72240-X | 1 | 1 | 1 | 1 | | | Misprint |
| | .LINK (R), lift | 194340-72240-X 194190-72241-X | 1 | 1 | 1 | 1 | | | Misprint |

Fig. 82 THREE-POINT HITCH CATEGORY 0 (EXCEPT S.AFRICA)

| Refer. No. | Description | Part No. | Q'ty/Unit | | | | Sales Unit | Inter-change ability | Design-change Mark | Remarks |
|------------|----------------------------------|-------------------------|--------------|--------------|--------------|--------------|---------------|----------------------|--------------------|---------|
| | | | YM155 | YM155D | YM135 | YM135D | | | | |
| 82- 22 | .LOCK NUT M18 | 194150-72241 | 1 | 1 | 1 | 1 | 10 | | Misprint | |
| | .LOCK NUT M18 x 1.5 | 194150-72240 | 1 | 1 | 1 | 1 | 10 | | | |
| | .LOCK NUT M18 x 1.5 | 26736-180002 | 1 | 1 | 1 | 1 | 10 | N | [1] | |
| 82- 23 | .PIN, lift yoke | 194150-72460 | 1 | 1 | 1 | 1 | | | | |
| 82- 24 | .SNAP PIN 2.4 | 194150-74850 | 1 | 1 | 1 | 1 | 10 | | | |
| 82- 25 | .PIN ASS'Y, ball & socket | 794130-71410 | 1 | 1 | 1 | 1 | | | | |
| 82- 26 | .PIN, lift arm | AZ1550-10050 | 1 | 1 | 1 | 1 | | | | |
| | .PIN, lift arm | 194340-10050 | 1 | 1 | 1 | 1 | | S | [4] | |
| 82- 27 | .NUT M12 | 26716-120002 | 1 | 1 | 1 | 1 | 10 | | | |
| | .NUT M14 | 26716-140002 | 1 | 1 | 1 | 1 | 10 | S | [4] | |
| 82- 28 | .SPRING WASHER 12 | 22217-120000 | 1 | 1 | 1 | 1 | 10 | | | |
| | .SPRING WASHER 14 | 22217-140000 | 1 | 1 | 1 | 1 | 10 | S | [4] | |
| 82- 29 | .LS-LOCK NUT M18 x 1.5 | 194340-75740 | 1 | 1 | 1 | 1 | | W | [4] | |
| 82- 30 | .PIN, hitch | 195080-15060 | 1 | 1 | 1 | 1 | | W | | |
| 82- 31 | CHECK CHAIN ASS'Y | 794150-74601 | 2 | 2 | 2 | 2 | | | | |
| | CHECK CHAIN ASS'Y | 794340-74600 | 2 | 2 | 2 | 2 | | N | [1] | |
| 82- 32 | .CHECK CHAIN, complete, front | 794150-74700 | 2 | 2 | 2 | 2 | | | | |
| | .CHECK CHAIN, complete, front | 194340-74700-X | 2 | 2 | 2 | 2 | | N | [1] | |
| 82- 33 | .TURNBUCKLE, check chain | 194150-74670 | 2 | 2 | 2 | 2 | | Z | | |
| | .TURNBUCKLE, check chain | 194150-74672-X | 2 | 2 | 2 | 2 | | N | [4] | |
| 82- 34 | .CHECK CHAIN, complete, rear | 794150-74801-X | 2 | 2 | 2 | 2 | | Z | | |
| | .CHECK CHAIN, complete, rear | 194340-74800-X | 2 | 2 | 2 | 2 | | N | [1] | |
| 82- 35 | .PIN, shackle | 194150-74630 | 2 | 2 | 2 | 2 | | | | |
| 82- 36 | .LOCK NUT M14 | 26756-140002 | 2 | 2 | 2 | 2 | 10 | | | |
| 82- 37 | .NUT M16 | 26816-160002 | 2 | 2 | 2 | 2 | 10 | | | |
| 82- 38 | .SPRING WASHER 16 | 22217-160000 | 2 | 2 | 2 | 2 | 10 | | | |
| 82- 39 | .SNAP PIN 2.4 | 194150-74850 | 2 | 2 | 2 | 2 | 10 | | | |
| 82- 40 | LINK, complete, lower | AZ1550-10010 | 2 | 2 | 2 | 2 | | | Misprint | |
| | LINK ASS'Y, lower | 194340-10200-X | 2 | 2 | 2 | 2 | | | | |
| 82- 41 | PIN ASS'Y, ball & socket | 794130-71410 | 4 | 4 | 4 | 4 | | | | |

Fig. 83 THROTTLE PEDAL SYSTEM (EXCEPT ENGLAND)

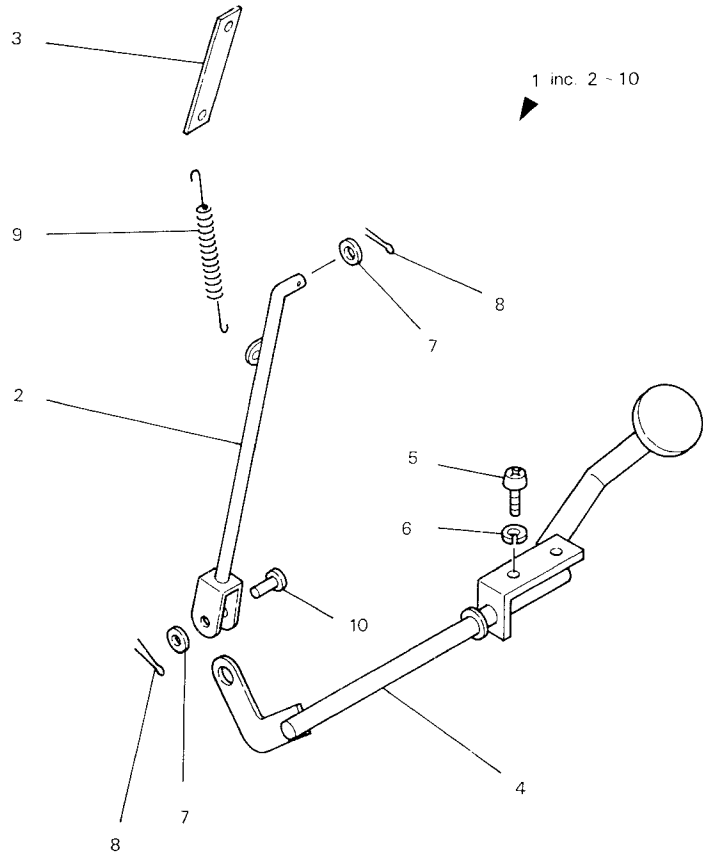


Fig. 83 THROTTLE PEDAL SYSTEM (EXCEPT ENGLAND)

| Refer. No. | Description | Part No. | Qty. Unit | | | | Inter-change ability | Design change Mark | Remarks |
|------------|-----------------------|----------------|-----------|-------|------|-------|----------------------|--------------------|---------|
| | | | YM55 | YM55D | YM35 | YM35D | | | |
| 83- 1 | PEDAL ASS'Y, throttle | 794340-01450 | 1 | 1 | 1 | 1 | | | |
| 83- 2 | .ROD, throttle pedal | 194340-01660 | 1 | 1 | 1 | 1 | | | |
| 83- 3 | .HOOK, pedal spring | 194200-01710 | 1 | 1 | 1 | 1 | | | |
| 83- 4 | .PEDAL, throttle | 194200-01541-X | 1 | 1 | 1 | 1 | | | |
| 83- 5 | .SCREW M8 x 16 | 26557-080162 | 2 | 2 | 2 | 2 | 10 | | |
| 83- 6 | .SPRING WASHER 8 | 22217-080000 | 2 | 2 | 2 | 2 | 10 | | |
| 83- 7 | .WASHER 6, plain | 22117-060000 | 2 | 2 | 2 | 2 | 10 | | |
| 83- 8 | .COTTER PIN 2 x 10 | 22417-200100 | 2 | 2 | 2 | 2 | 10 | | |
| 83- 9 | .SPRING, pedal | 194200-01680 | 1 | 1 | 1 | 1 | | | |
| 83- 10 | .PIN 6x 14 | 1A1030-55480 | 1 | 1 | 1 | 1 | | | |

Fig. 84 TURN SIGNAL LIGHT (U.S.A.) [YM135, YM135D]

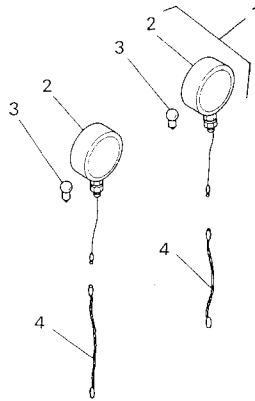


Fig. 84 TURN SIGNAL LIGHT (U.S.A.) [YM135, YM135D]

| Refer. No. | Description | Part No. | Qty/Unit | | | | Sales Unit | Inter-changeability | Design-change Mark | Remarks |
|------------|-----------------------|--------------|----------|--------|-------|--------|------------|---------------------|--------------------|---------|
| | | | YM155 | YM155D | YM135 | YM135D | | | | |
| 84- 1 | TURN SIGNAL ASS'Y | 794340-53350 | | | 2 | 2 | | W | (1) | |
| 84- 2 | TURN SIGNAL, complete | 794200-53350 | | | 2 | 2 | | | | |
| 84- 3 | BULB 12V 20W | 194200-53400 | | | 2 | 2 | 10 | | | |
| 84- 4 | CORD (L), turn signal | 194200-51130 | | | 2 | 2 | | W | (1) | |

Fig. 85 WORK LIGHT

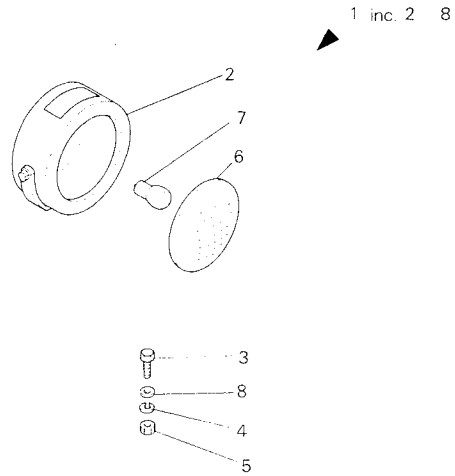


Fig. 85 WORK LIGHT

| Refer. No. | Description | Part No. | Qty/Unit | | | | Sales Unit | Inter-change ability | Design-change Mark | Remarks |
|------------|-------------------|--------------|----------|--------|-------|--------|------------|----------------------|--------------------|---------|
| | | | YM55 | YM155D | YM135 | YM135D | | | | |
| 85- 1 | WORK LIGHT ASS'Y | 794340-54100 | 1 | 1 | 1 | 1 | | w | [1] | |
| 85- 2 | .WORK LIGHT | 194340-57500 | 1 | 1 | 1 | 1 | | | | |
| | .WORK LIGHT | 794081-54101 | 1 | 1 | 1 | 1 | | s | [1] | |
| 85- 3 | .BOLT M8 x 20 | 26116-080202 | 1 | 1 | 1 | 1 | 10 | w | [1] | |
| 85- 4 | .SPRING WASHER 8 | 22217-080000 | 1 | 1 | 1 | 1 | 10 | w | [1] | |
| 85- 5 | .NUT M8 | 26716-080002 | 1 | 1 | 1 | 1 | 10 | w | [1] | |
| 85- 6 | .LENS, work light | 194081-54110 | 1 | 1 | 1 | 1 | | | [1] | |
| 85- 7 | .BULB 12V 20w | 194081-55820 | 1 | 1 | 1 | 1 | 10 | | [1] | |
| 85- 8 | .WASHER 8 | 22157-080000 | 1 | 1 | 1 | 1 | 10 | w | | |

Fig. 86 REAR-VIEW MIRROR (PORTUGAL) [YM155,YM155D]

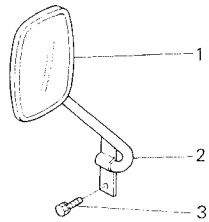


Fig. 86 REAR-VIEW MIRROR (PORTUGAL) [YM155,YM155D]

| Refer. No. | Description | Part No. | Qty/Unit | | | Sales Unit | Inter-changeability | Design-change Mark | Remarks |
|------------|------------------------|--------------|----------|--------|-------|------------|---------------------|--------------------|---------|
| | | | YM155 | YM155D | YM155 | | | | |
| 86- 1 | HEAD, rear-view mirror | 194201-64100 | 1 | 1 | | | | | |
| 86- 2 | STAY, rear-view mirror | 194340-64350 | 1 | 1 | | | | | |
| 86- 3 | BOLT M6 x 12 | 26013-060129 | 2 | 2 | | | | | |

Fig. 87 REAR-VIEW MIRROR (EXCEPT PORTUGAL) [YM155,YM155D]

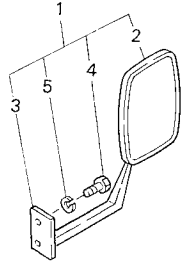


Fig. 87 REAR-VIEW MIRROR (EXCEPT PORTUGAL) [YM155,YM155D]

| Refer. No. | Description | Part No. | Qty/Unit | | | | Inter-changeability | Design-change Mark | Remarks |
|------------|-----------------------------|--------------|----------|--------|-------|--------|---------------------|--------------------|---------|
| | | | YM155 | YM155D | YM135 | YM135D | | | |
| 87- 1 | REAR-VIEW MIRROR ASS'Y | 794200-64200 | 1 | 1 | | | | | |
| 87- 2 | .REAR-VIEW MIRROR, complete | 794200-64100 | 1 | 1 | | | | | |
| 87- 3 | .STAY, rear-view mirror | 194200-64150 | 1 | 1 | | | | | |
| 87- 4 | .BOLT M6 x 20 | 26116-080202 | 1 | 1 | | 10 | | | |
| 87- 5 | .SPRING WASHER 8 | 22217-080000 | 1 | 1 | | | | | |

Fig. 88 REAR-VIEW MIRROR [YM135,YM135D]

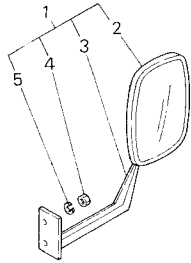


Fig. 88 REAR-VIEW MIRROR [YM135,YM135D]

| Refer. No. | Description | Part No. | Qty Unit | | | | Sales Unit | Inter-change ability | Design-change Mark | Remarks |
|------------|-----------------------------|--------------|----------|--------|-------|--------|------------|----------------------|--------------------|---------|
| | | | YM135 | YM135D | YM135 | YM135D | | | | |
| 88- 1 | REAR-VIEW MIRROR ASS'Y | 794262-64200 | | | 1 | 1 | | | [1] | |
| 88- 2 | .REAR-VIEW MIRROR, complete | 794200-64100 | 1 | 1 | 1 | 1 | | | | |
| 88- 3 | .STAY, rear-view mirror | 194200-64150 | 1 | 1 | 1 | 1 | | | | |
| 88- 4 | .NUT M8 | 26716-080002 | | | 1 | 1 | 10 | | [1] | |
| | .NUT M8 | 26716-080002 | | | 1 | 1 | | z | | |
| 88- 5 | .SPRING WASHER 8 | 22217-080000 | 1 | 1 | 1 | 1 | 10 | | [1] | |
| | .SPRING WASHER 8 | 22217-080000 | | | 1 | 1 | | z | | |

Fig. 89 REAR WHEEL WEIGHT & FRONT WEIGHT (OPTIONAL)

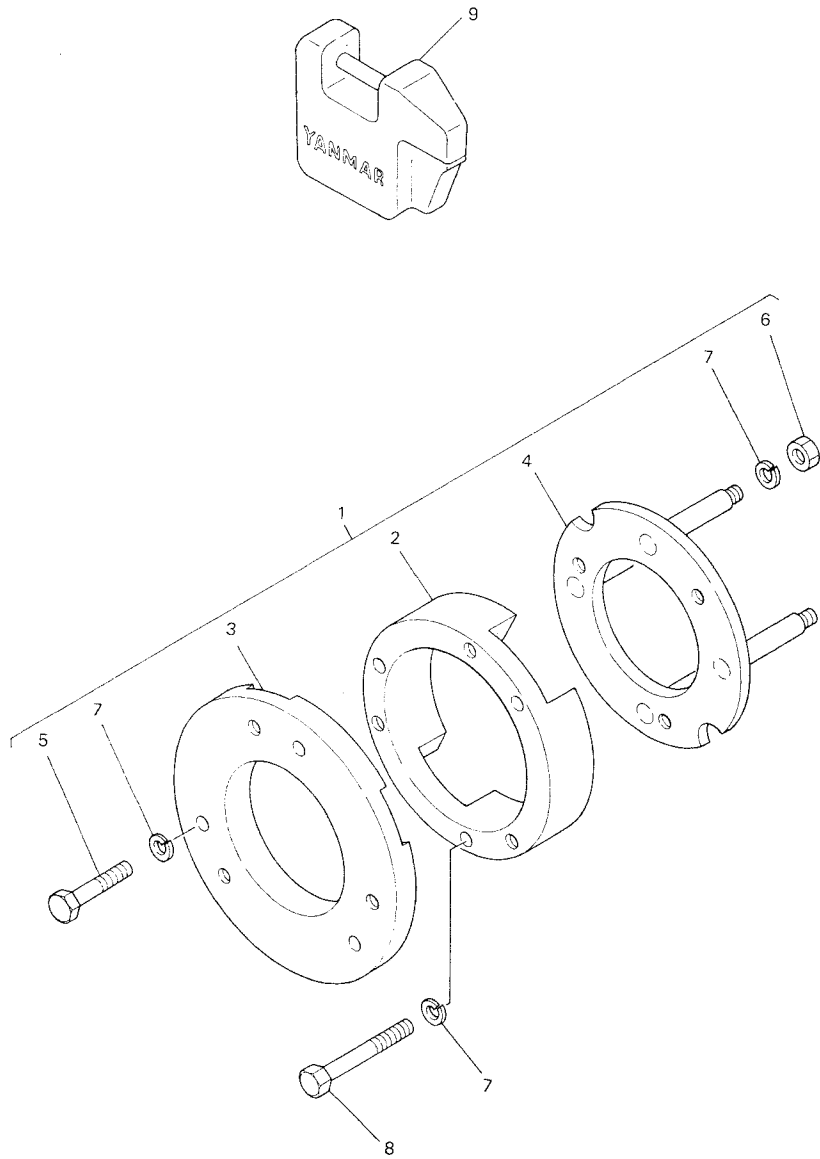
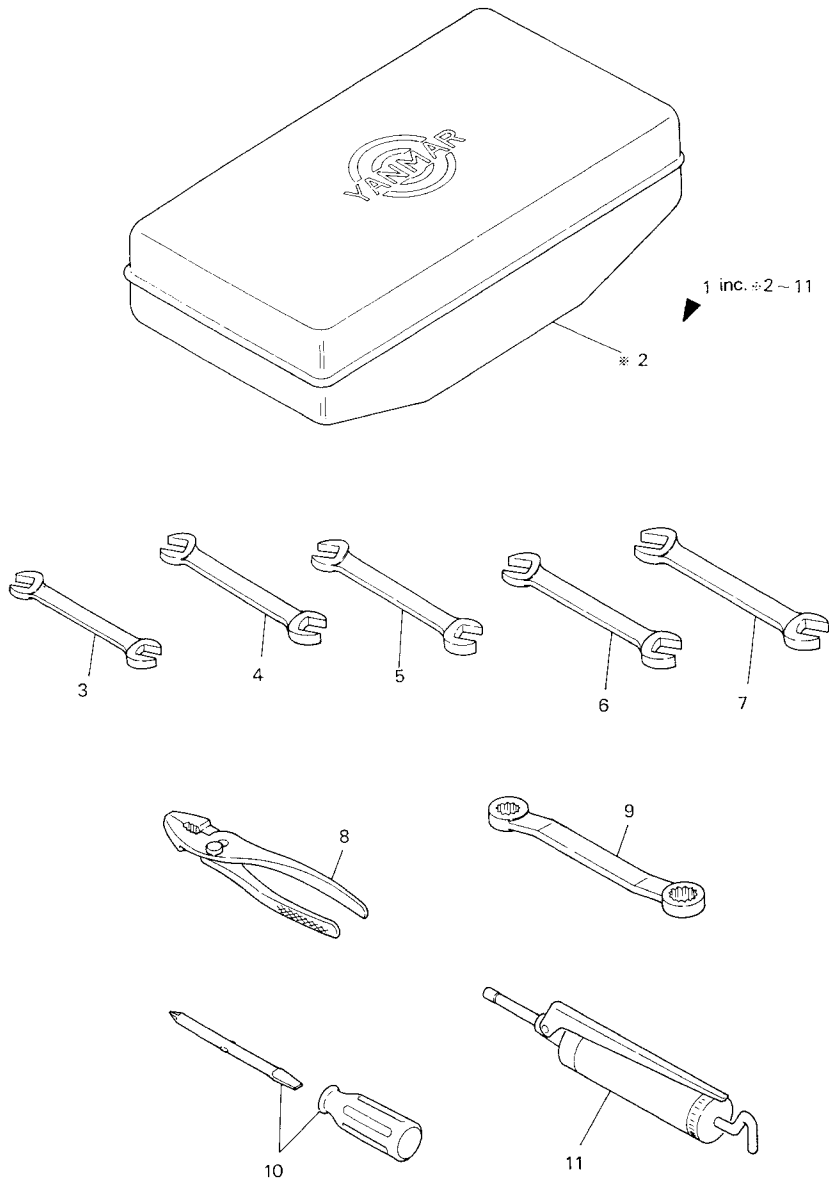


Fig. 89 REAR WHEEL WEIGHT & FRONT WEIGHT (OPTIONAL)

| Refer. No. | Description | Part No. | Qty/Unit | | | | Sales Unit | Inter-changeability | Design-change Mark | Remarks |
|------------|--|--------------|----------|--------|-------|--------|------------|---------------------|--------------------|---------|
| | | | YM155 | YM155D | YM135 | YM135D | | | | |
| 89- 1 | WEIGHT w/FITTINGS, small dia. rear wheel | G20550-00000 | 2 | 2 | 2 | 2 | | | | |
| 89- 2 | .WEIGHT 20, rear wheel | A20552-10010 | 2 | 2 | 2 | 2 | | | | |
| | .WEIGHT 20, rear wheel | 194080-81230 | 2 | 2 | 2 | 2 | | N | | |
| 89- 3 | .WEIGHT 25, rear wheel | A20552-10020 | 2 | 2 | 2 | 2 | | | | |
| | .WEIGHT 25, rear wheel | 194080-81212 | 2 | 2 | 2 | 2 | | N | | |
| 89- 4 | .FITTINGS, rear wheel weight | A20550-10070 | 2 | 2 | 2 | 2 | | | | |
| | .FITTINGS, rear wheel weight | 194200-81240 | 2 | 2 | 2 | 2 | | N | | |
| 89- 5 | .BOLT M16 x 65 | 26116-160652 | 6 | 6 | 6 | 6 | 10 | | | |
| 89- 6 | .NUT M16 | 26716-160002 | 8 | 8 | 8 | 8 | 10 | | | |
| 89- 7 | .SPRING WASHER 16 | 22217-160000 | 20 | 20 | 20 | 20 | 10 | | | |
| 89- 8 | .BOLT M16 x 100 | 26116-161002 | 6 | 6 | 6 | 6 | 10 | | | |
| 89- 9 | WEIGHT 20, front | A20502-10010 | 3 | 3 | 3 | 3 | | | | |
| | WEIGHT 20, front | 194080-81111 | 3 | 3 | 3 | 3 | | N | | |

Fig. 90 TOOLS



- 375 - *MARK PARTS: NOT SOLD SEPARATELY.

Fig. 90 TOOLS

| Refer. No. | Description | Part No. | Qty. Unit | | | Sales Unit | Inter-changeability | Design-change Mark | Remarks |
|------------|-----------------------|--------------|-----------|--------|-------|------------|---------------------|--------------------|-------------------------------------|
| | | | YMI55 | YMI55D | YMI35 | | | | |
| 90- 1 | TOOL KIT | 794340-82100 | 1 | 1 | 1 | 1 | | | |
| | TOOL KIT | 794200-82100 | 1 | 1 | 1 | 1 | N | {1} | |
| 90- 2 | .TOOL BOX | * | 1 | 1 | 1 | 1 | * | | Not Sold Separately. (1A1040-83000) |
| 90- 3 | .WRENCH 8 x 10 | 28110-080100 | 1 | 1 | 1 | 1 | | | |
| 90- 4 | .WRENCH 10 x 13 | 28110-100130 | 1 | 1 | 1 | 1 | | | |
| 90- 5 | .WRENCH 12 x 14 | 28110-120140 | 1 | 1 | 1 | 1 | W | | |
| 90- 6 | .WRENCH 17 x 19 | 28110-170190 | 1 | 1 | 1 | 1 | | | |
| 90- 7 | .WRENCH 22 x 24 | 28110-220240 | 1 | 1 | 1 | 1 | | | |
| 90- 8 | .PLIER 200 | 194200-82100 | 1 | 1 | 1 | 1 | | | |
| 90- 9 | .BOX WRENCH 17 x 19 | 1A1040-83010 | 1 | 1 | 1 | 1 | | | |
| 90- 10 | .SCREW DRIVER 6 x 100 | 194200-82150 | 1 | 1 | 1 | 1 | | | |
| 90- 11 | .GREASE GUN | 794200-82200 | 1 | 1 | 1 | 1 | | | |

- 376 -

Fig. 91 TURF TIRES [YM155]

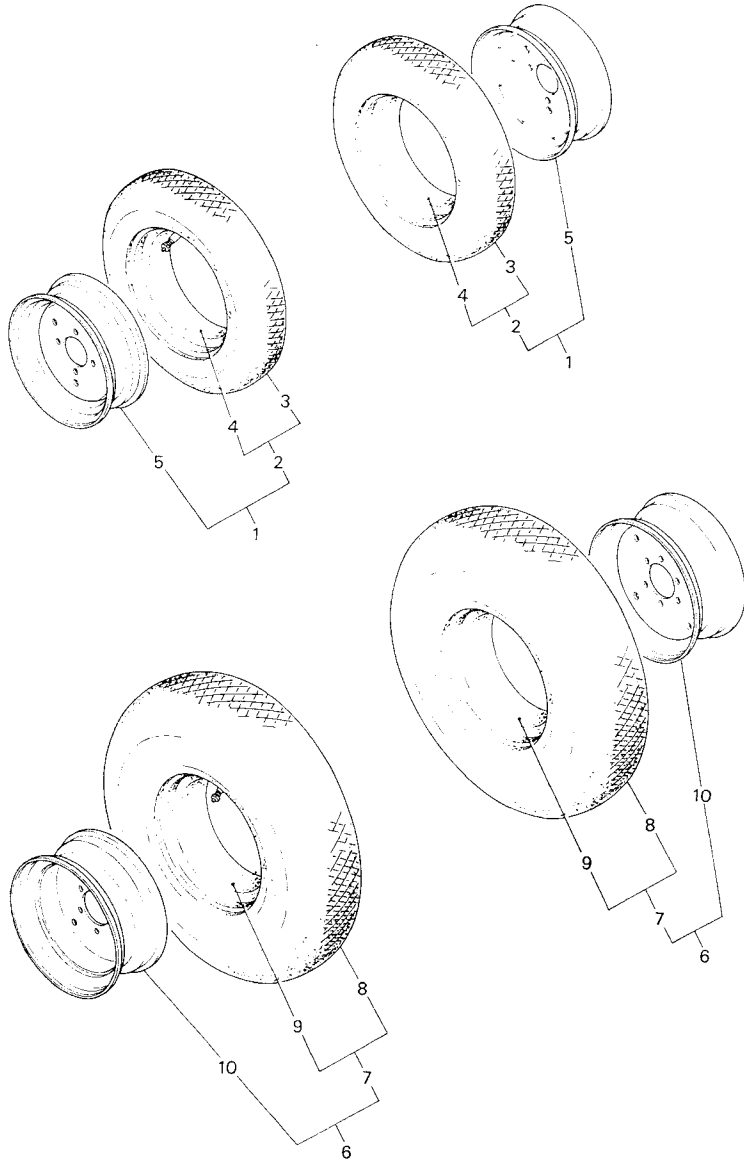


Fig. 91 TURF TIRES [YM155]

| Refer. No. | Description | Part No. | Qty/Usr | | | | Interchangeability | Design Change Mark | Remarks |
|------------|------------------------------|----------------|---------|--------|-------|--------|--------------------|--------------------|---------|
| | | | YM155 | YM155D | YM135 | YM135D | | | |
| 91- 1 | FRONT TIRE ASS'Y (TURF) | 794340-12900 | 2 | | | | | | |
| 91- 2 | .TIRE ASS'Y (TURF), 6-12F.D. | 794340-11900 | 2 | | | | | | |
| 91- 3 | ..TIRE (TURF) | 194340-11920 | 2 | | | | | | |
| 91- 4 | ..TUBE, tire | 1A1050-34250 | 2 | | | | | | |
| 91- 5 | .WHEEL, disc | 194340-11880 | 2 | | | | | | |
| 91- 6 | REAR TIRE ASS'Y (TURF) | 794340-34700 | 2 | | | | | | |
| 91- 7 | .TIRE ASS'Y (TURF), 8-16F.D. | 794340-34600 | 2 | | | | | | |
| 91- 8 | ..TIRE (TURF) | 194340-34610 | 2 | | | | | | |
| 91- 9 | ..TUBE, tire | 194200-34950 | 2 | | | | | | |
| 91- 10 | .WHEEL, disc | 194200-34960-Q | 2 | | | | | | |

Fig. 92 TURF TIRES [YM155D]

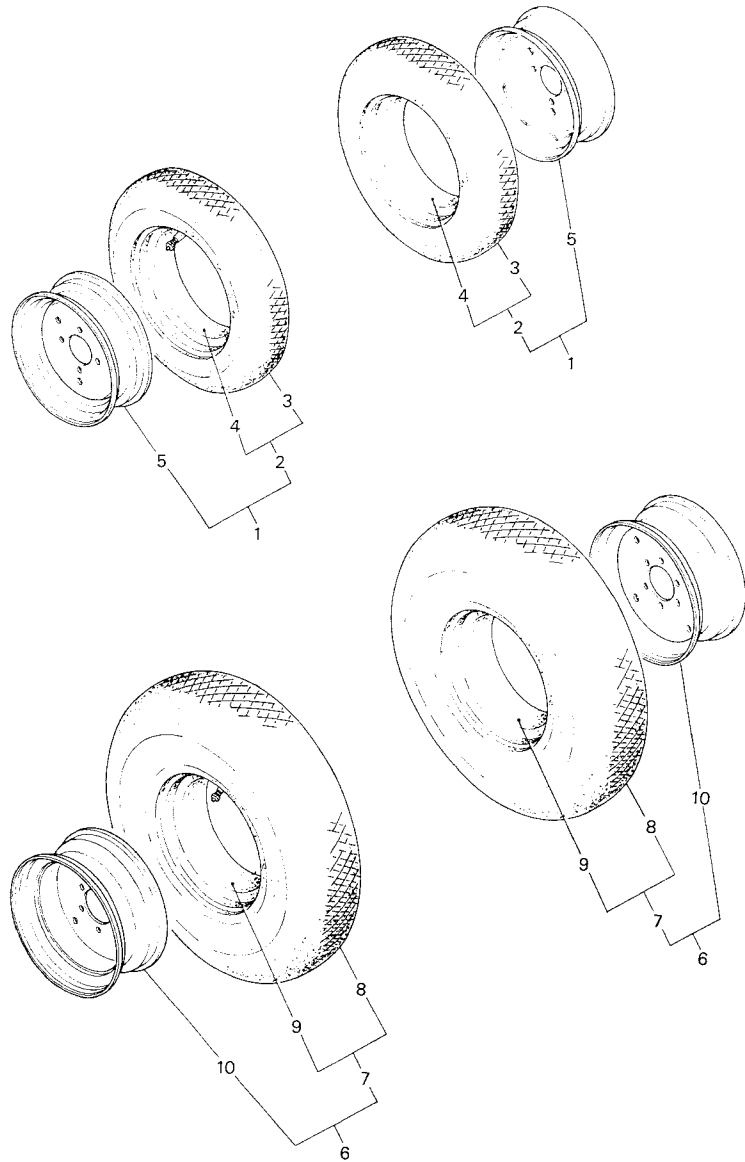


Fig. 92 TURF TIRES [YM155D]

| Refer. No. | Description | Part No. | Qty./Unit | | | Inter-changeability | Design-change Mark | Remarks |
|------------|------------------------------|----------------|-----------|--------|-------|---------------------|--------------------|---------|
| | | | YM155 | YM155D | YM135 | | | |
| 92- 1 | FRONT TIRE ASS'Y (TURF) | 794340-12900 | | 2 | | | | |
| 92- 2 | .TIRE ASS'Y (TURF), 6-12F.D. | 794340-11900 | | 2 | | | | |
| 92- 3 | ..TIRE (TURF) | 194340-11920 | | 2 | | | | |
| 92- 4 | ..TUBE, tire | 1A1050-34250 | | 2 | | | | |
| 92- 5 | .WHEEL, disc 5-JA x 12WDC | 194341-11880 | | 2 | | | | |
| 92- 6 | REAR TIRE ASS'Y (TURF) | 794340-34700 | | 2 | | | | |
| 92- 7 | .TIRE ASS'Y (TURF), 8-16F.D. | 794340-34600 | | 2 | | | | |
| 92- 8 | ..TIRE (TURF) | 194340-34610 | | 2 | | | | |
| 92- 9 | ..TUBE, tire | 194200-34950 | | 2 | | | | |
| 92- 10 | .WHEEL, disc | 194200-34960-Q | | 2 | | | | |

Fig. 93 TURF TIRES [YM135,YM135D]

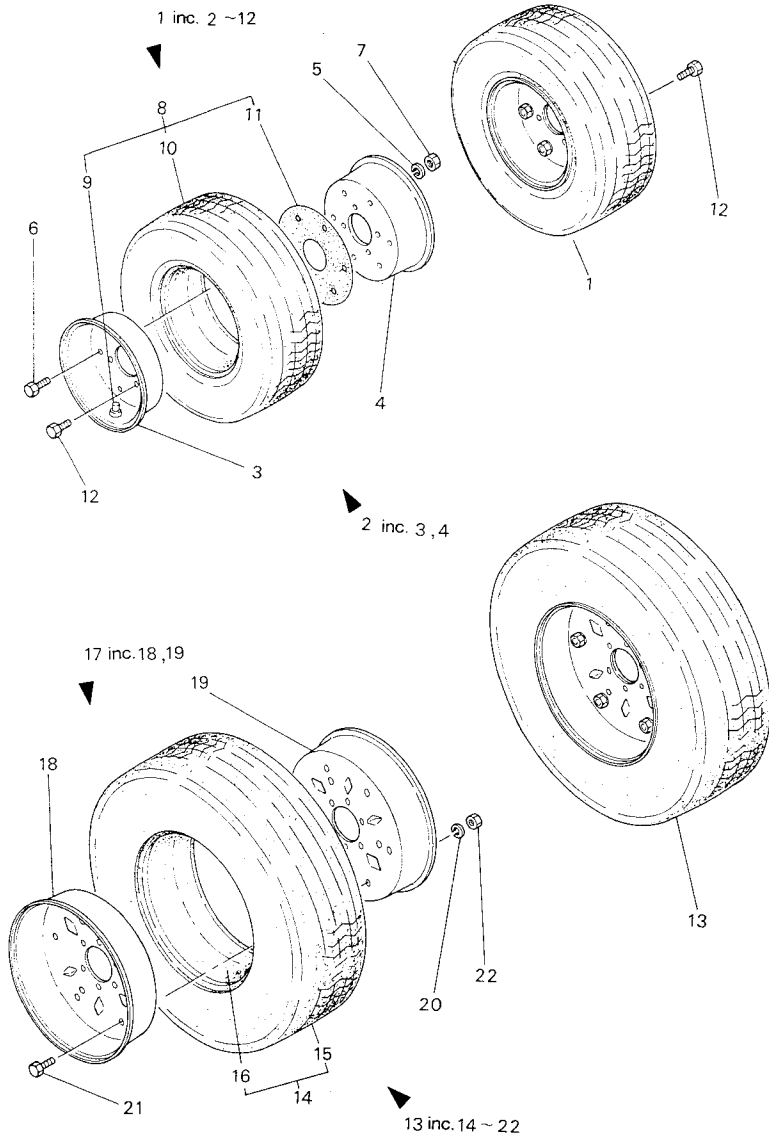
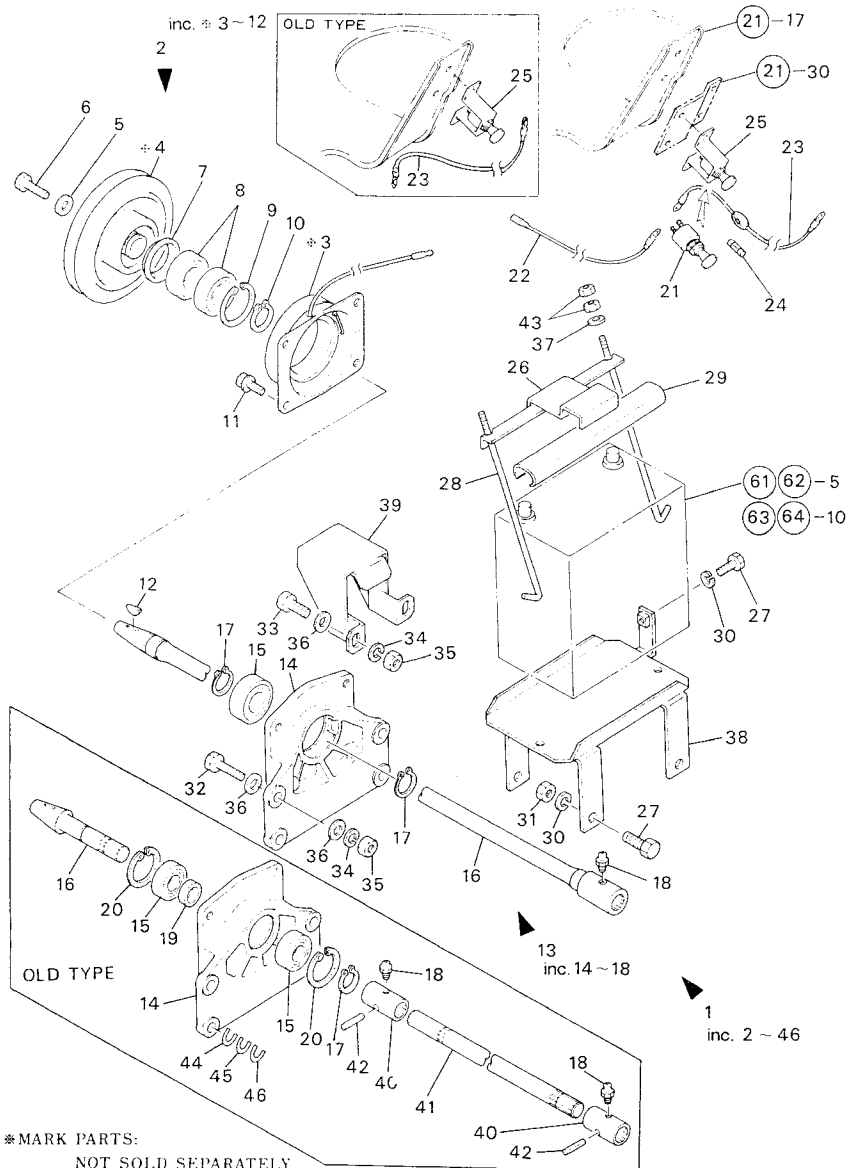


Fig. 93 TURF TIRES [YM135,YM135D]

| Refer. No. | Description | Part No. | Q'ty/Unit | | | Inter-changeability | Design-change Mark | Remarks |
|------------|--------------------------------|--------------|-----------|--------|-------|---------------------|--------------------|---------|
| | | | YM155 | YM135D | YM135 | | | |
| 93- 1 | FRONT WHEEL TIRE ASS'Y (TURF) | 794390-12900 | | | 2 | 2 | | |
| 93- 2 | .WHEEL 6.00 x 10 DT, disc | 194390-12910 | | | 2 | 2 | | |
| 93- 3 | ..WHEEL (A) | 194390-12920 | | | 2 | 2 | | |
| 93- 4 | ..WHEEL (B) | 194390-12930 | | | 2 | 2 | | |
| 93- 5 | .SPRING WASHER 10 | 22217-100000 | | | 12 | 12 | 10 | |
| 93- 6 | .BOLT M10 x 20 | 26116-100202 | | | 12 | 12 | 10 | |
| 93- 7 | .NUT M10 | 26716-100002 | | | 12 | 12 | 10 | |
| 93- 8 | .FRONT TIRE ASS'Y (TURF) | 194240-12970 | | | 2 | 2 | | |
| 93- 9 | ..VALVE TR413 | 194136-12880 | | | 2 | 2 | | w |
| 93- 10 | ..TIRE (TURF), 20 x 8.00 -10PD | 194240-12950 | | | 2 | 2 | | |
| 93- 11 | ..PACKING, tube | 194240-12960 | | | 2 | 2 | | |
| 93- 12 | .BOLT M12 x 28 | 26116-120282 | | | 8 | 8 | 10 | |
| 93- 13 | REAR WHEEL TIRE ASS'Y (TURF) | 794390-34700 | | | 2 | 2 | | |
| 93- 14 | .TIRE (TURF), 27 x 8.50 - 15PD | 194390-34610 | | | 2 | 2 | | |
| 93- 15 | ..REAR TIRE (TURF) | 194390-34620 | | | 2 | 2 | | |
| 93- 16 | ..TUBE | 194390-34630 | | | 2 | 2 | | |
| 93- 17 | .WHEEL, disc 7.001 x 15DT | 194390-34750 | | | 2 | 2 | | |
| 93- 18 | ..WHEEL (A) | 194390-34760 | | | 2 | 2 | | |
| 93- 19 | ..WHEEL (B) | 194390-34770 | | | 2 | 2 | | |
| 93- 20 | .SPRING WASHER 10 | 22217-100000 | | | 12 | 12 | 10 | |
| 93- 21 | .BOLT M10 x 20 | 26116-100202 | | | 12 | 12 | 10 | |
| 93- 22 | .NUT M10 | 26716-100002 | | | 12 | 12 | 10 | |

Fig. 94 FRONT P.T.O. [YM155,YM155D]



*MARK PARTS:
NOT SOLD SEPARATELY.

Fig. 94 FRONT P.T.O. [YM155,YM155D]

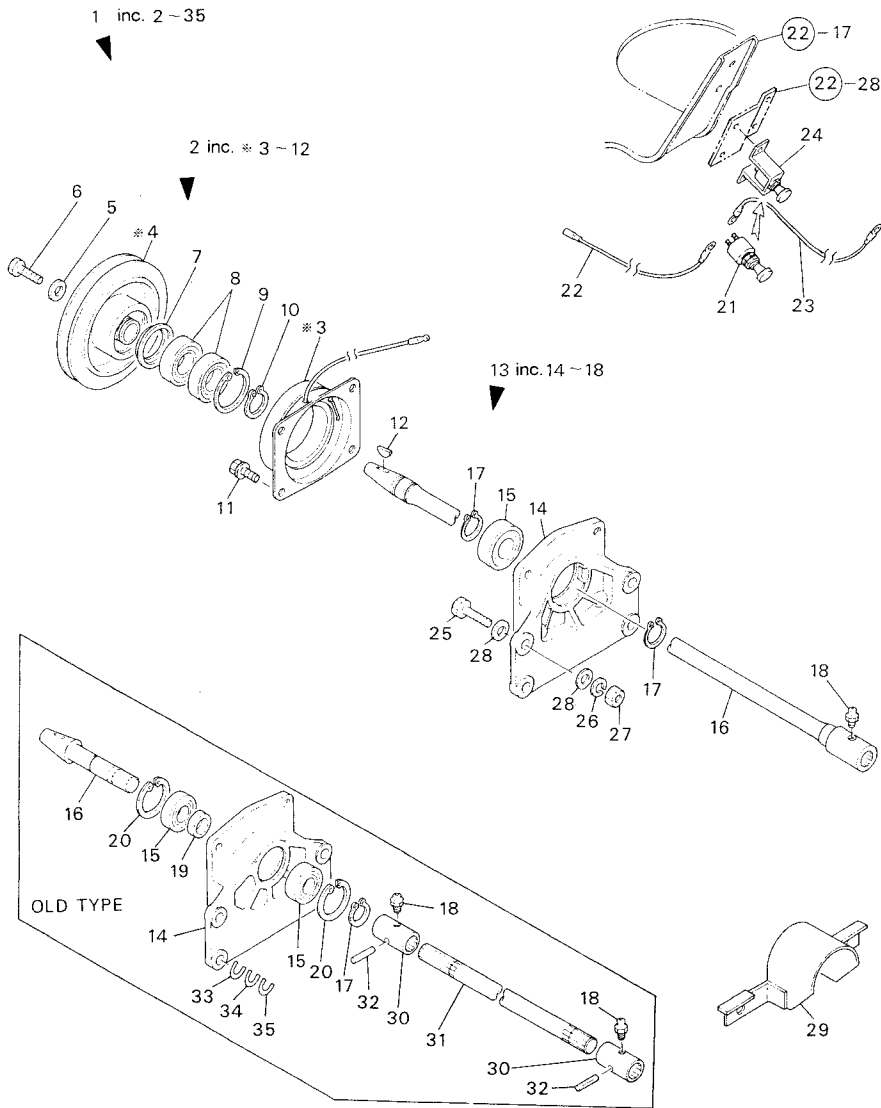
| Refer. No. | Description | Part No. | Q'ty/Unit | | | | Sales Unit | Inter-changeability | Design-change Mark | Remarks |
|------------|----------------------|----------------|-----------|--------|-------|--------|------------|---------------------|--------------------------------------|---------|
| | | | YM155 | YM155D | YM135 | YM135D | | | | |
| 94- 1 | FRONT P.T.O. ASS'Y | 794340-83101 | 1 | 1 | | | | | | |
| 94- 2 | CLUTCH ASS'Y | 194240-83200 | 1 | 1 | | | | | | |
| 94- 3 | .COIL | * | 1 | 1 | | | | | Not Sold Separately. | |
| 94- 4 | .V-PULLEY, clutch | * | 1 | 1 | | | | | Not Sold Separately. | |
| 94- 5 | .WASHER | 194240-83220 | 1 | 1 | | | | | | |
| 94- 6 | .BOLT M8 x 34 | 194240-83230 | 1 | 1 | | | | | | |
| 94- 7 | .PLATE | 194240-83240 | 1 | 1 | | | | | | |
| 94- 8 | .BALL BEARING | 24105-060064 | 2 | 2 | | | | | | |
| 94- 9 | .CIRCLIP 55-H | 22252-000550 | 1 | 1 | | | | | | |
| 94- 10 | .CIRCLIP 30-S | 22242-000300 | 1 | 1 | | | | | | |
| 94- 11 | .BOLT M6 x 8 | 194240-83250 | 4 | 4 | | | | | | |
| 94- 12 | .KEY 4 x 16 | 22522-040160 | 1 | 1 | | | 10 | | | |
| 94- 13 | UNIT BRACKET ASS'Y | 194340-83171 | 1 | 1 | | | | | | |
| 94- 14 | .UNIT BRACKET | 194340-83280 | 1 | 1 | | | | | Up to Apr. 1978. | |
| | .UNIT BRACKET | 194340-83281 | 1 | 1 | | | | S | YM155 -T/# 51564 YM155D-T/# 53832 | |
| 94- 15 | .BALL BEARING | 194340-83340 | 2 | 2 | | | | | Up to Apr. 1978. | |
| | .BALL BEARING | 194340-83341 | 1 | 1 | | | | S | YM155 -T/# 51564 YM155D-T/# 53832 | |
| 94- 16 | .SHAFT, P.T.O. | 194340-83270 | 1 | 1 | | | | | Up to Apr. 1978. | |
| | .SHAFT, P.T.O. | 194340-83270-X | 1 | 1 | | | | N | | |
| | .SHAFT, P.T.O. | 194340-83271 | 1 | 1 | | | | S | YM155 -T/# 51564 YM155D-T/# 53832 | |
| | .SHAFT, P.T.O. | 194340-83271-X | 1 | 1 | | | | N | | |
| 94- 17 | .CIRCLIP 20-S | 22242-000200 | 1 | 1 | | | | | Up to Apr. 1978. | |
| | .CIRCLIP 25-S | 22242-000250 | 2 | 2 | | | | S | YM155 -T/# 51564 YM155D-T/# 53832 | |
| 94- 18 | .GREASE NIPPLE A-M6F | 24764-010000 | 2 | 2 | | | | | Up to Apr. 1978. | |
| | .GREASE NIPPLE A-M6F | 24764-010000 | 1 | 1 | | | | K | | |
| 94- 19 | COLLAR 20 x 25 x 8.5 | 194340-83290 | 1 | 1 | | | | Z | Up to Apr. 1978. | |
| 94- 20 | CIRCLIP 47-H | 22252-000470 | 2 | 2 | | | | Z | Up to Apr. 1978. | |
| 94- 21 | SWITCH FRONT P.T.O. | 194240-83300 | 1 | 1 | | | | | | |

Fig. 94 FRONT P.T.O. [YM155,YM155D]

M E M O

| Refer. No. | Description | Part No. | Qty/Unit | | | Sales Unit | Inter-change ability | Design-change Mark | Remarks |
|------------|----------------------------|----------------|----------|--------|-------|------------|----------------------|---|---------|
| | | | YM155 | YM155D | YM135 | | | | |
| 94- 22 | CABLE (A) | 194340-83310 | 1 | 1 | | | | | |
| 94- 23 | CABLE (B) | 194340-83320 | 1 | 1 | | | | | |
| | CABLE | 194345-83320 | 1 | 1 | | | N | YM155 from No. 52182 YM155D from No. 57428 | |
| 94- 24 | FUSE 10A | 194145-52830 | 1 | 1 | | | | | |
| 94- 25 | BRACKET, switch | 194340-83350 | 1 | 1 | | | | | |
| | BRACKET, switch | 194340-83350-X | 1 | 1 | | | N | | |
| 94- 26 | COVER, battery | 194340-83150 | 1 | 1 | | | | | |
| | COVER, battery | 194340-83150-X | 1 | 1 | | | N | | |
| 94- 27 | BOLT M8 x 16 | 26116-080162 | 5 | 5 | | 10 | | | |
| 94- 28 | ROD, battery clamp | 194262-51370 | 2 | 2 | | | | | |
| 94- 29 | COVER, battery fluid inlet | 194440-51550 | 1 | 1 | | | | | |
| 94- 30 | SPRING WASHER 8 | 22217-080000 | 5 | 5 | | 10 | | | |
| 94- 31 | NUT M8 | 26716-080002 | 3 | 3 | | 10 | | | |
| 94- 32 | BOLT M10 x 40 | 26116-100402 | 4 | 4 | | 10 | | | |
| 94- 33 | BOLT M10 x 20 | 26116-100202 | 2 | 2 | | 10 | | | |
| 94- 34 | SPRING WASHER 10 | 22217-100000 | 6 | 6 | | 10 | | | |
| 94- 35 | NUT M10 | 26716-100002 | 6 | 6 | | 10 | | | |
| 94- 36 | WASHER 10 | 22137-100000 | 10 | 10 | | 10 | | | |
| 94- 37 | WASHER 6 | 22137-060000 | 2 | 2 | | 10 | | | |
| 94- 38 | BRACKET, battery | 194340-83330 | 1 | 1 | | | | | |
| 94- 39 | COVER | 194340-83450 | 1 | 1 | | | | | |
| 94- 40 | JOINT, front P.T.O. | 194340-83390 | 2 | 2 | | | Z | Up to Apr. 1978. | |
| 94- 41 | SHAFT, connecting | 194340-83370 | 1 | 1 | | | Z | Up to Apr. 1978. | |
| 94- 42 | SPRING PIN 4 x 32 | 22351-040032 | 2 | 2 | | 10 | Z | Up to Apr. 1978. | |
| 94- 43 | NUT M6 | 26716-060002 | 4 | 4 | | 10 | | | |
| 94- 44 | SHIM 1.0 | 194340-83130 | 4 | 4 | | 10 | Z | Up to Apr. 1978. | |
| 94- 45 | SHIM 0.5 | 194340-83140 | 4 | 4 | | 10 | Z | Up to Apr. 1978. | |
| 94- 46 | SHIM 0.2 | 194340-83120 | 4 | 4 | | 10 | Z | Up to Apr. 1978. | |

Fig. 95 FRONT P.T.O. [YM135,YM135D]



*MARK PARTS: NOT SOLD SEPARATELY.

Fig. 95 FRONT P.T.O. [YM135,YM135D]

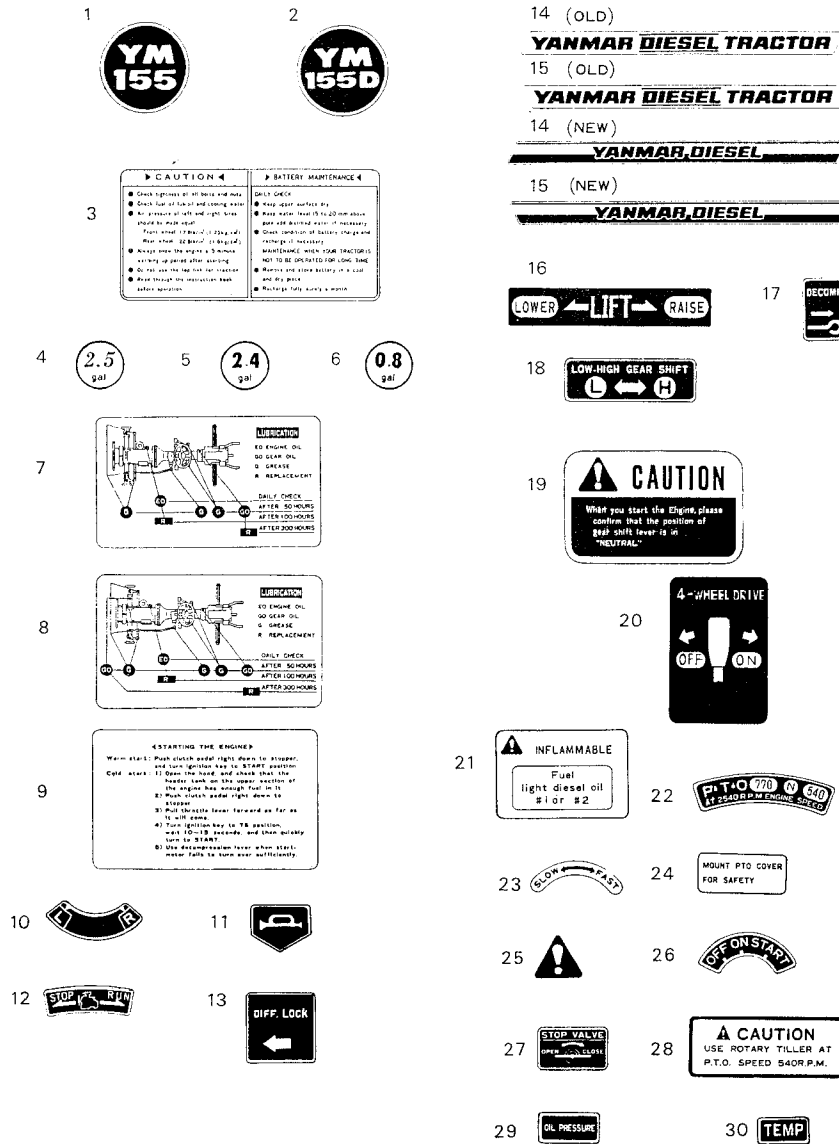
| Refer. No. | Description | Part No. | Qty/Unit | | | | Inter. change ability | Design change Mark | Remarks |
|------------|----------------------|----------------|----------|--------|-------|--------|-----------------------|--------------------|--------------------------------------|
| | | | YM135 | YM135D | YM135 | YM135D | | | |
| 95- 1 | FRONT P.T.O. ASS'Y | 794390-83100 | | | 1 | 1 | | | Up to Apr. 1978. |
| | FRONT P.T.O. ASS'Y | 794390-83101 | | | 1 | 1 | N | | |
| 95- 2 | CLUTCH ASS'Y | 194240-83200 | | | 1 | 1 | | | |
| 95- 3 | .COIL | * | | | 1 | 1 | | | Not Sold Separately. |
| 95- 4 | .V-PULLEY, clutch | * | | | 1 | 1 | | | Not Sold Separately. |
| 95- 5 | .WASHER | 194240-83220 | | | 1 | 1 | | | |
| 95- 6 | .BOLT MB x 34 | 194240-83230 | | | 1 | 1 | | | |
| 95- 7 | .PLATE | 194240-83240 | | | 1 | 1 | | | |
| 95- 8 | .BALL BEARING | 24105-060064 | | | 2 | 2 | | | |
| 95- 9 | .CIRCLIP 55-H | 22252-000550 | | | 1 | 1 | | | |
| 95- 10 | .CIRCLIP 30-S | 22242-000300 | | | 1 | 1 | | | |
| 95- 11 | .BOLT M6 x 8 | 194240-83250 | | | 4 | 4 | | | |
| 95- 12 | .KEY 4 x 16 | 22522-040160 | | | 1 | 1 | 10 | | |
| 95- 13 | UNIT BRACKET ASS'Y | 194340-83170 | | | 1 | 1 | | | Up to Apr. 1978. |
| | UNIT BRACKET ASS'Y | 194390-83170 | | | 1 | 1 | S | | YM135 -T/# 51337 YM135D-T/# 51429 |
| 95- 14 | .UNIT BRACKET | 194340-83280 | | | 1 | 1 | | | Up to Apr. 1978. |
| | .UNIT BRACKET | 194340-83281 | | | 1 | 1 | S | | YM135 -T/# 51337 YM135D-T/# 51429 |
| 95- 15 | .BALL BEARING | 194340-83340 | | | 2 | 2 | | | Up to Apr. 1978. |
| | .BALL BEARING | 194340-83341 | | | 1 | 1 | S | | YM135 -T/# 51337 YM135D-T/# 51429 |
| 95- 16 | .SHAFT, P.T.O. | 194340-83270 | | | 1 | 1 | | | Up to Apr. 1978. |
| | .SHAFT, P.T.O. | 194340-83270-X | | | 1 | 1 | N | | |
| | .SHAFT, P.T.O. | 194390-83270 | | | 1 | 1 | S | | YM135 -T/# 51337 YM135D-T/# 51429 |
| | .SHAFT, P.T.O. | 194390-83270-X | | | 1 | 1 | N | | |
| 95- 17 | .CIRCLIP 20-S | 22242-000200 | | | 1 | 1 | | | Up to Apr. 1978. |
| | .CIRCLIP 25-S | 22242-000250 | | | 2 | 2 | S | | YM135 -T/# 51337 YM135D-T/# 51429 |
| 95- 18 | .GREASE NIPPLE A-M6F | 24764-010000 | | | 2 | 2 | | | Up to Apr. 1978. |
| | .GREASE NIPPLE A-M6F | 24764-010000 | | | 1 | 1 | K | | |

Fig. 95 FRONT P.T.O. [YM135, YM135D]

MEMO

| Refer. No. | Description | Part No. | Qty/Unit | | | Sales Unit | Inter-change ability | Design-change Mark | Remarks |
|------------|----------------------|----------------|----------|--------|-------|------------|----------------------|--------------------|---------|
| | | | YM135 | YM135D | YM135 | | | | |
| 95- 19 | COLLAR 20 x 25 x 8.5 | 194340-83290 | | 1 | 1 | | Z | Up to Apr. 1978. | |
| 95- 20 | CIRCLIP 47-H | 22252-000470 | | 2 | 2 | | Z | Up to Apr. 1978. | |
| 95- 21 | SWITCH FRONT P.T.O. | 194240-83300 | | 1 | 1 | | | | |
| 95- 22 | CABLE (A) | 194340-83310 | | 1 | 1 | | | | |
| 95- 23 | CABLE (B) | 194340-83320 | | 1 | 1 | | | | |
| 95- 24 | BRACKET, switch | 194340-83350 | | 1 | 1 | | | | |
| | BRACKET, switch | 194340-83350-X | | 1 | 1 | | N | | |
| 95- 25 | BOLT M10 x 40 | 26116-100402 | | 4 | 4 | 10 | | | |
| 95- 26 | SPRING WASHER 10 | 22217-100000 | | 4 | 4 | 10 | | | |
| 95- 27 | NUT M10 | 26716-100002 | | 4 | 4 | 10 | | | |
| 95- 28 | WASHER 10 | 22137-100000 | | 8 | 8 | 10 | | | |
| 95- 29 | COVER | 194390-83450 | | 1 | 1 | | | | |
| 95- 30 | JOINT, front P.T.O. | 194340-83390 | | 2 | 2 | | Z | Up to Apr. 1978. | |
| 95- 31 | SHAFT, connecting | 194390-83370 | | 1 | 1 | | Z | Up to Apr. 1978. | |
| 95- 32 | SPRING PIN 4 x 32 | 22351-040032 | | 2 | 2 | 10 | Z | Up to Apr. 1978. | |
| 95- 33 | SHIM 1.0 | 194340-83130 | | 4 | 4 | 10 | Z | Up to Apr. 1978. | |
| 95- 34 | SHIM 0.5 | 194340-83140 | | 4 | 4 | 10 | Z | Up to Apr. 1978. | |
| 95- 35 | SHIM 0.2 | 194340-83120 | | 4 | 4 | 10 | Z | Up to Apr. 1978. | |

Fig. 96 LABELS (U.S.A.) [YM155, YM155D]



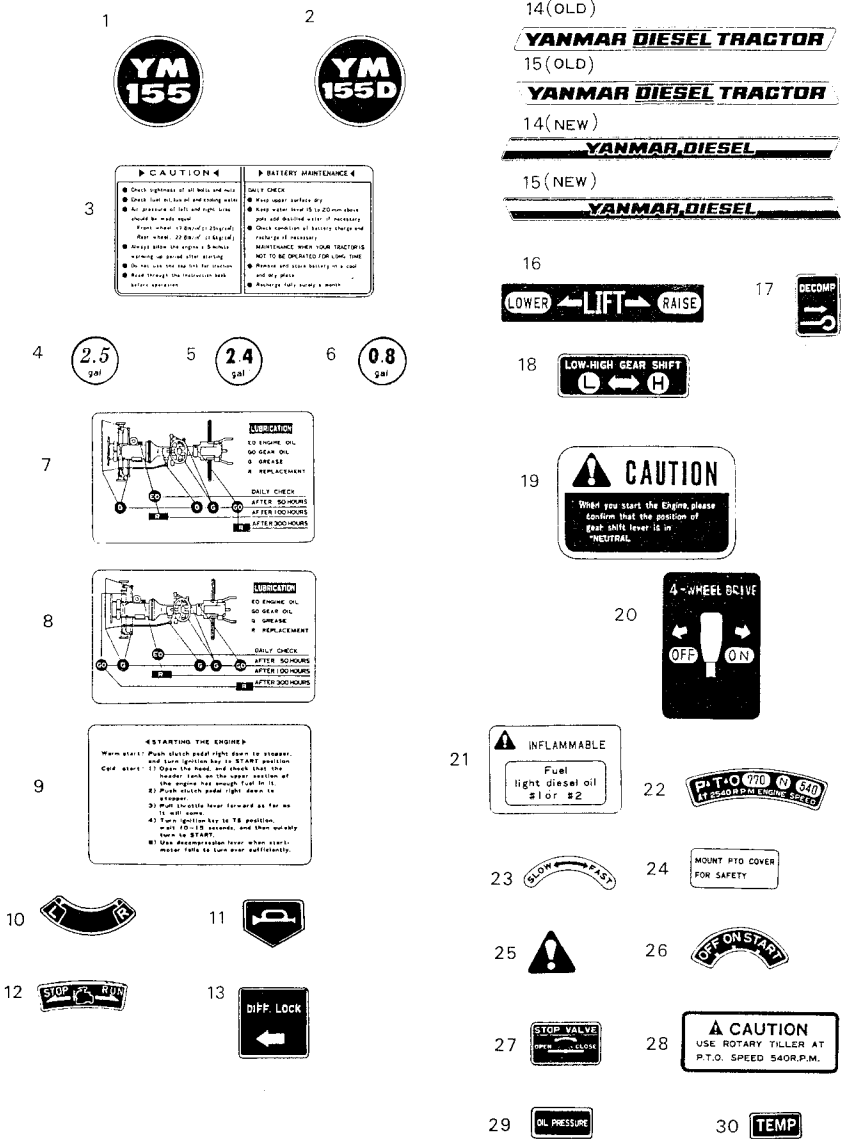
| Refer. No. | Description | Part No. | Qty./Unit | | | | Sales Unit | Inter-change ability | Design-change Mark | Remarks |
|------------|---------------------------------|--------------|-----------|--------|-------|--------|------------|----------------------|-----------------------|---------|
| | | | YM155 | YM155D | YM135 | YM135D | | | | |
| 96- 1 | LABEL, side mark | 194340-64720 | 2 | | | | | | | |
| 96- 2 | LABEL, side mark | 194341-64720 | | 2 | | | | | | |
| 96- 3 | LABEL, caution | 194340-65200 | 1 | 1 | | | | | | |
| 96- 4 | LABEL, gear oil | 194340-65300 | 1 | | | | | | | |
| 96- 5 | LABEL, gear oil | 194341-65300 | | 1 | | | | | | |
| 96- 6 | LABEL, 4-wheel oil | 194341-65311 | | 1 | | | | | | |
| 96- 7 | LABEL, lubrication | 194340-65320 | 1 | | | | | | | |
| 96- 8 | LABEL, lubrication | 194341-65320 | | 1 | | | | | | |
| 96- 9 | LABEL, engine starting | 194370-65350 | 1 | 1 | | | | | | |
| 96- 10 | LABEL, flusher | 194150-65360 | 1 | 1 | | | | | | |
| 96- 11 | LABEL, horn switch | 194130-65380 | 1 | 1 | | | | | | |
| 96- 12 | LABEL, throttle lever | 194240-65430 | 1 | 1 | | | | | | |
| 96- 13 | LABEL, differential lock | 194340-65441 | 1 | 1 | | | | | | |
| 96- 14 | LABEL (L) | 194345-65500 | 1 | 1 | | | | | YANMAR DIESEL TRACTOR | |
| | LABEL (L) | 194345-65501 | 1 | 1 | | | N | | YANMAR DIESEL | |
| 96- 15 | LABEL (R) | 194340-65510 | 1 | 1 | | | | | | |
| | LABEL (R) | 194345-65511 | 1 | 1 | | | | | | |
| 96- 16 | LABEL, hyd. lift indication | 194240-65510 | 1 | 1 | | | | | | |
| 96- 17 | LABEL, decompression indication | 194340-65590 | 1 | 1 | | | | | | |
| 96- 18 | LABEL, subtransmission | 194340-65601 | 1 | 1 | | | | | | |
| 96- 19 | LABEL, transmission caution | 194240-65620 | 1 | 1 | | | | | | |
| 96- 20 | LABEL, 4-wheel driving | 194341-65661 | 1 | | | | | | | |

Fig. 96 LABELS (U.S.A.) [YM155, YM155D]

M E M O

| Refer. No. | Description | Part No. | Q'ty/Unit | | | Sales Unit | Inter-changeability | Design-change Mark | Remarks |
|------------|------------------------|--------------|-----------|--------|-------|------------|---------------------|--------------------|---------|
| | | | YM155 | YM155D | YM135 | | | | |
| 96- 21 | LABEL, fuel | 194240-65670 | 1 | 1 | | | | | |
| 96- 22 | LABEL, P.T.O. | 194340-65670 | 1 | 1 | | | | | |
| 96- 23 | LABEL, slow return | 194340-65690 | 1 | 1 | | | | | |
| 96- 24 | LABEL, PTO cover | 194240-65710 | 1 | 1 | | | | | |
| 96- 25 | LABEL, caution | 194240-65720 | 1 | 1 | | | | | |
| 96- 26 | LABEL, key switch | 194340-65720 | 1 | 1 | | | | | |
| 96- 27 | LABEL, oil press. stop | 194340-65750 | 1 | 1 | | | | | |
| 96- 28 | LABEL, P.T.O. caution | 194340-65780 | 1 | 1 | | | | | |
| 96- 29 | LABEL, oil pressure | 194081-99230 | 1 | 1 | | | | | |
| 96- 30 | LABEL, water pilot | 194190-99240 | 1 | 1 | | | | | |

Fig. 97 LABELS (S.AFRICA) [YM155,YM155D]



| Refer. No. | Description | Part No. | Qty. Unit | | | | Sales Unit | Inter-change ability | Design-change Mark | Remarks |
|------------|---------------------------------|--------------|-----------|--------|-------|--------|------------|----------------------|--------------------|-----------------------|
| | | | YM155 | YM155D | YM125 | YM135D | | | | |
| 97- 1 | LABEL, side mark | 194340-64720 | 2 | | | | | | | |
| 97- 2 | LABEL, side mark | 194341-64720 | | 2 | | | | | | |
| 97- 3 | LABEL, caution | 194340-65200 | 1 | 1 | | | | | | |
| 97- 4 | LABEL, gear oil | 194340-65300 | 1 | | | | | | | |
| 97- 5 | LABEL, gear oil | 194341-65300 | | 1 | | | | | | |
| 97- 6 | LABEL, 4-wheel oil | 194341-65311 | | 1 | | | | | | |
| 97- 7 | LABEL, lubrication | 194340-65320 | 1 | | | | | | | |
| 97- 8 | LABEL, lubrication | 194341-65320 | | 1 | | | | | | |
| 97- 9 | LABEL, engine starting | 194370-65350 | 1 | 1 | | | | | | |
| 97- 10 | LABEL, flusher | 194150-65360 | 1 | 1 | | | | | | |
| 97- 11 | LABEL, horn switch | 194130-65380 | 1 | 1 | | | | | | |
| 97- 12 | LABEL, throttle lever | 194240-65430 | 1 | 1 | | | | | | |
| 97- 13 | LABEL, differential lock | 194340-65441 | 1 | 1 | | | | | | |
| 97- 14 | LABEL (L) | 194345-65500 | 1 | 1 | | | | | | YANMAR DIESEL TRACTOR |
| | LABEL (L) | 194345-65501 | 1 | 1 | | | N | | | YANMAR DIESEL |
| 97- 15 | LABEL (R) | 194340-65510 | 1 | 1 | | | | | | |
| | LABEL (R) | 194345-65511 | 1 | 1 | | | | | | |
| 97- 16 | LABEL, hyd. lift indication | 194240-65510 | 1 | 1 | | | | | | |
| 97- 17 | LABEL, decompression indication | 194340-65590 | 1 | 1 | | | | | | |
| 97- 18 | LABEL, subtransmission | 194340-65601 | 1 | 1 | | | | | | |
| 97- 19 | LABEL, transmission caution | 194240-65620 | 1 | 1 | | | | | | |
| 97- 20 | LABEL, 4-wheel driving | 194341-65661 | 1 | | | | | | | |

Fig. 97 LABELS (S.AFRICA) [YM155,YM155D]

M E M O

| Refer. No. | Description | Part No. | Qty/Unit | | | Sales Unit | Inter-change ability | Design-change Mark | Remarks |
|------------|------------------------|--------------|----------|--------|-------|------------|----------------------|--------------------|---------|
| | | | YM155 | YM155D | YM135 | | | | |
| 97- 21 | LABEL, fuel | 194240-65670 | 1 | 1 | | | | | |
| 97- 22 | LABEL, P.T.O. | 194340-65670 | 1 | 1 | | | | | |
| 97- 23 | LABEL, slow return | 194340-65690 | 1 | 1 | | | | | |
| 97- 24 | LABEL, PTO cover | 194240-65710 | 1 | 1 | | | | | |
| 97- 25 | LABEL, caution | 194240-65720 | 1 | 1 | | | | | |
| 97- 26 | LABEL, key switch | 194340-65720 | 1 | 1 | | | | | |
| 97- 27 | LABEL, oil press. stop | 194340-65750 | 1 | 1 | | | | | |
| 97- 28 | LABEL, P.T.O. caution | 194340-65780 | 1 | 1 | | | | | |
| 97- 29 | LABEL, oil pressure | 194081-99230 | 1 | 1 | | | | | |
| 97- 30 | LABEL, water pilot | 194190-99240 | 1 | 1 | | | | | |

Fig. 98 LABELS (FRANCE) [YM155, YM155D]

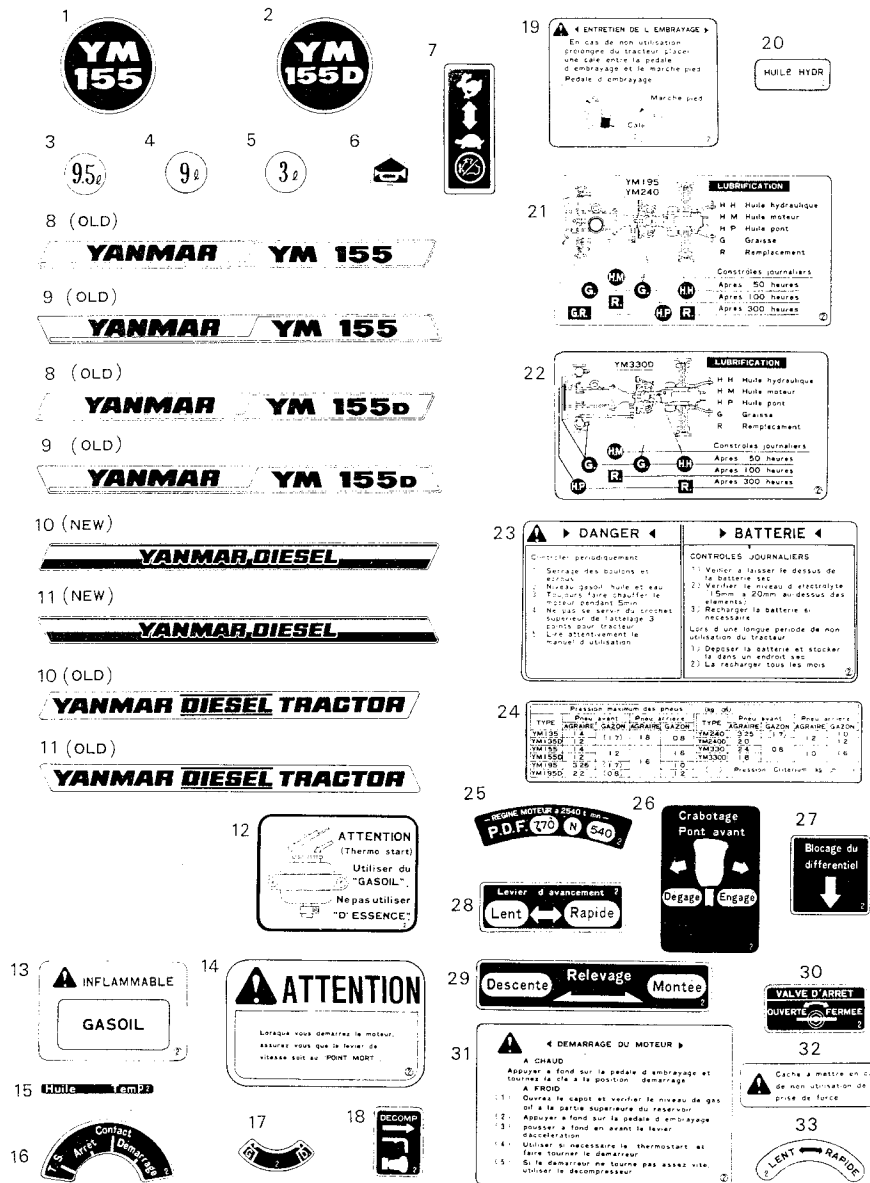


Fig. 98 LABELS (FRANCE) [YM155, YM155D]

| Refer. No. | Description | Part No. | Unit | | | Sales Unit | Interchangeability | Designation Mark | Remarks |
|------------|------------------------------|--------------|-------|--------|-------|------------|--------------------|-----------------------|---------|
| | | | YM155 | YM155D | YM155 | | | | |
| 98- 1 | LABEL, side mark | 194340-64720 | 2 | | | | | | |
| 98- 2 | LABEL, side mark | 194341-64720 | | 2 | | | | | |
| 98- 3 | LABEL, gear oil | 194200-65300 | 1 | | | | | | |
| 98- 4 | LABEL, gear oil | 194210-65300 | | 1 | | | | | |
| 98- 5 | LABEL, 4-wheel oil | 194211-65310 | | 1 | | | | | |
| 98- 6 | LABEL, horn switch | 194130-65380 | 1 | 1 | | | | | |
| 98- 7 | LABEL, throttle lever | 194240-65432 | 1 | 1 | | | | | |
| 98- 8 | LABEL (D) | 194340-65501 | | 1 | | | | | |
| | LABEL (L) | 194341-65501 | | 1 | | | | | |
| 98- 9 | LABEL (R) | 194340-65511 | | 1 | | | | | |
| | LABEL (R) | 194341-65511 | | 1 | | | | | |
| 98- 10 | LABEL (D) | 194340-65502 | 1 | 1 | | | | YANMAR DIESEL TRACTOR | |
| | LABEL (D) | 194345-65501 | 1 | 1 | | | | YANMAR DIESEL | |
| 98- 11 | LABEL (R) | 194340-65512 | 1 | 1 | | | | | |
| | LABEL (R) | 194345-65511 | 1 | 1 | | | | | |
| 98- 12 | LABEL, fuel | 194340-66320 | 1 | 1 | | | | | |
| 98- 13 | LABEL, fuel level indication | 194240-98220 | 1 | 1 | | | | | |
| 98- 14 | LABEL, transmission caution | 194240-98230 | 1 | 1 | | | | | |
| 98- 15 | LABEL, pilot | 194340-98240 | 1 | 1 | | | | | |
| 98- 16 | LABEL, key switch | 194240-98250 | 1 | 1 | | | | | |
| 98- 17 | LABEL, flusher | 194240-98260 | 1 | 1 | | | | | |

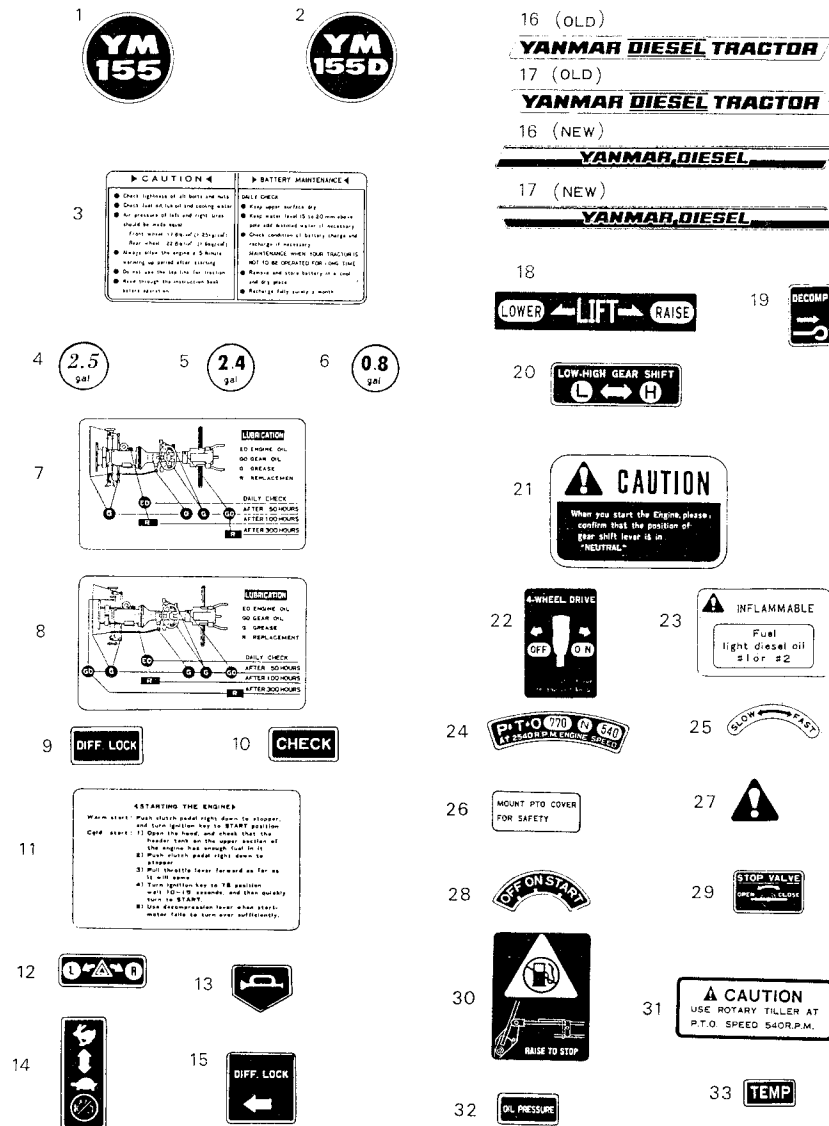
Fig. 98 LABELS (FRANCE) [YM155, YM155D]

M E M O

| Refer. No. | Description | Part No. | Qty/Unit | | | Sales Unit | Inter-changeability | Design-change Mark | Remarks |
|------------|---------------------------------|--------------|----------|--------|-------|------------|---------------------|--------------------|---------|
| | | | YM155 | YM155D | YM135 | | | | |
| 98- 18 | LABEL, decompression indication | 194340-98270 | 1 | 1 | | | | | |
| 98- 19 | LABEL, clutch handling | 194340-98280 | 1 | 1 | | | | | |
| 98- 20 | LABEL, gear oil indication | 194240-98290 | 1 | 1 | | | | | |
| 98- 21 | LABEL, lubrication | 194240-98300 | 1 | | | | | | |
| 98- 22 | LABEL, lubrication | 194240-98310 | | 1 | | | | | |
| 98- 23 | LABEL, handling caution | 194240-98320 | 1 | 1 | | | | | |
| 98- 24 | LABEL, air pressure | 194240-98330 | 1 | 1 | | | | | |
| 98- 25 | LABEL, PDF | 194340-98340 | 1 | 1 | | | | | |
| 98- 26 | LABEL, 4-wheel driving | 194341-98350 | | 1 | | | | | |
| 98- 27 | LABEL, differential lock | 194240-98360 | 1 | 1 | | | | | |
| 98- 28 | LABEL, subtransmission | 194340-98370 | 1 | 1 | | | | | |
| 98- 29 | LABEL, hyd. lift indication | 194240-98380 | 1 | 1 | | | | | |
| 98- 30 | LABEL, oil press. stop | 194340-98390 | 1 | 1 | | | | | |
| | LABEL, oil press. stop | 194340-98391 | 1 | 1 | | N | | | |
| 98- 31 | LABEL, engine starting | 194240-98400 | 1 | 1 | | | | | |
| 98- 32 | LABEL, PTO cover | 194240-98410 | 1 | 1 | | | | | |
| 98- 33 | LABEL, slow return | 194340-98420 | 1 | 1 | | | | | |
| | LABEL, slow return | 194340-98421 | 1 | 1 | | N | | | |

Fig. 99 LABELS (ENGLAND) [YM155, YM155D]

Fig. 99 LABELS (ENGLAND) [YM155, YM155D]



| Refer. No. | Description | Part No. | Qty. Unit | | | | Interchangeability | Design-change Mark | Remarks |
|------------|---------------------------------|--------------|-----------|--------|-------|--------|--------------------|-----------------------|---------|
| | | | YM155 | YM155D | YM155 | YM155D | | | |
| 99- 1 | LABEL, side mark | 194340-64720 | 2 | | | | | | |
| 99- 2 | LABEL, side mark | 194341-64720 | | 2 | | | | | |
| 99- 3 | LABEL, caution | 194340-65200 | 1 | 1 | | | | | |
| 99- 4 | LABEL, gear oil | 194340-65300 | 1 | | | | | | |
| 99- 5 | LABEL, gear oil | 194341-65300 | | 1 | | | | | |
| 99- 6 | LABEL, 4-wheel oil | 194341-65311 | 1 | | | | | | |
| 99- 7 | LABEL, lubrication | 194340-65320 | 1 | | | | | | |
| 99- 8 | LABEL, lubrication | 194341-65320 | | 1 | | | | | |
| 99- 9 | LABEL, diff. pilot | 194340-65330 | 1 | 1 | | | | | |
| 99- 10 | LABEL, check | 194340-65340 | 1 | 1 | | | | | |
| 99- 11 | LABEL, engine starting | 194370-65350 | 1 | 1 | | | | | |
| 99- 12 | LABEL, flusher | 194150-65360 | 1 | 1 | | | | | |
| 99- 13 | LABEL, horn switch | 194130-65380 | 1 | 1 | | | | | |
| 99- 14 | LABEL, throttle lever | 194240-65432 | 1 | 1 | | | | | |
| 99- 15 | LABEL, differential lock | 194340-65441 | 1 | 1 | | | | | |
| 99- 16 | LABEL (L) | 194345-65500 | 1 | 1 | | | | YANMAR DIESEL TRACTOR | |
| | LABEL (L) | 194345-65501 | 1 | 1 | | | N | YANMAR DIESEL | |
| 99- 17 | LABEL (R) | 194340-65510 | 1 | 1 | | | | | |
| | LABEL (R) | 194345-65511 | 1 | 1 | | | N | | |
| 99- 18 | LABEL, hyd. lift indication | 194240-65510 | 1 | 1 | | | | | |
| 99- 19 | LABEL, decompression indication | 194340-65590 | 1 | 1 | | | | | |
| 99- 20 | LABEL, subtransmission | 194340-65601 | 1 | 1 | | | | | |
| 99- 21 | LABEL, transmission caution | 194240-65620 | 1 | 1 | | | | | |
| 99- 22 | LABEL, 4-wheel driving | 194341-65661 | | 1 | | | | | |

Fig. 99 LABELS (ENGLAND) [YM155, YM155D]

M E M O

| Refer. No. | Description | Part No. | Qty/Unit | | | Sales Unit | Inter-change ability | Design-change Mark | Remarks |
|------------|------------------------|--------------|----------|--------|-------|------------|----------------------|--------------------|---------|
| | | | YM155 | YM155D | YM155 | | | | |
| 99- 23 | LABEL, fuel | 194240-65670 | 1 | 1 | | | | | |
| 99- 24 | LABEL, P.T.O. | 194340-65670 | 1 | 1 | | | | | |
| 99- 25 | LABEL, slow return | 194340-65690 | 1 | 1 | | | | | |
| 99- 26 | LABEL, PTO cover | 194240-65710 | 1 | 1 | | | | | |
| 99- 27 | LABEL, caution | 194240-65720 | 1 | 1 | | | | | |
| 99- 28 | LABEL, key switch | 194340-65720 | 1 | 1 | | | | | |
| 99- 29 | LABEL, oil press. stop | 194340-65750 | 1 | 1 | | | | | |
| 99- 30 | LABEL, engine stop | 194340-65770 | 1 | 1 | | | | | |
| 95- 31 | LABEL, P.T.O. caution | 194340-65780 | 1 | 1 | | | | | |
| 99- 32 | LABEL, oil pressure | 194081-99230 | 1 | 1 | | | | | |
| 99- 33 | LABEL, water pilot | 194190-99240 | 1 | 1 | | | | | |

Fig. 100 LABELS (PORTUGAL) [YM155,YM155D]

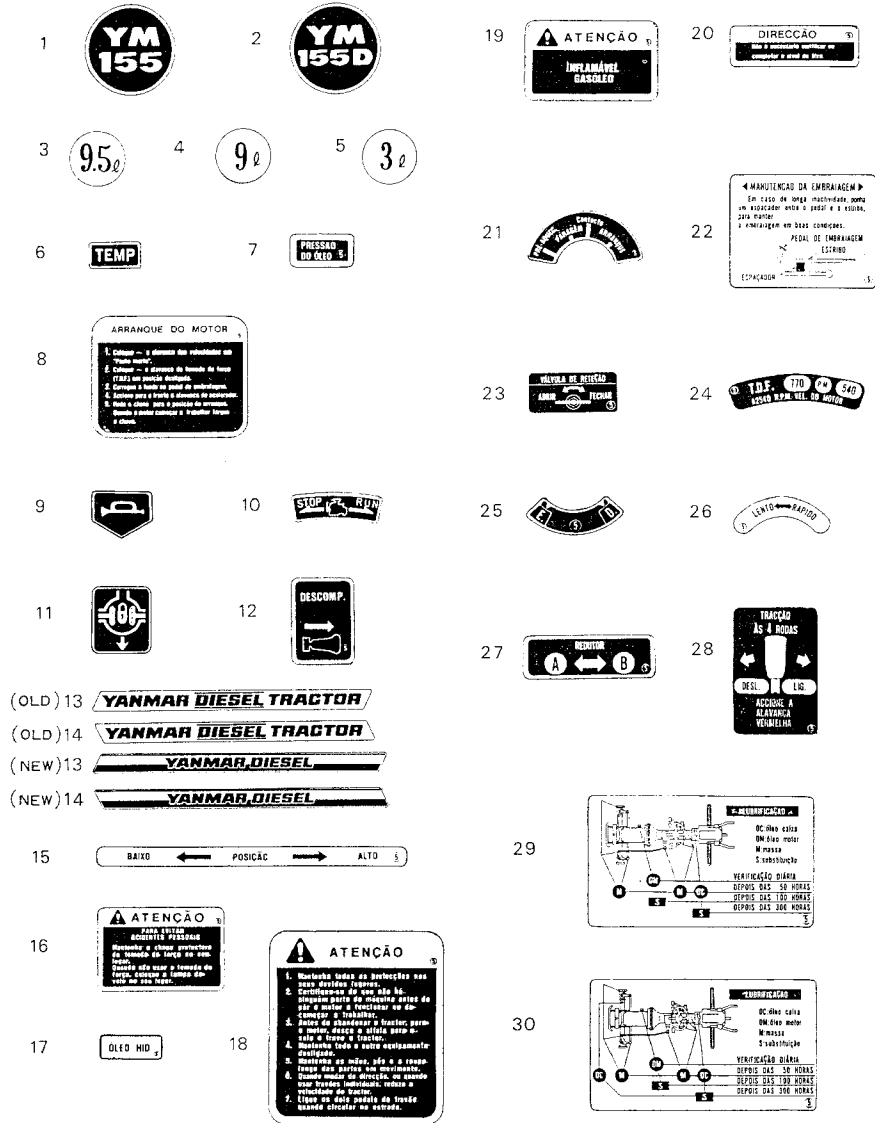


Fig. 100 LABELS (PORTUGAL) [YM155,YM155D]

| Refer. No. | Description | Part No. | Qty. Unit | | | | Sales Unit | Inter-change ability | Design-change Mark | Remarks |
|------------|---------------------------------|--------------|-----------|--------|-------|--------|------------|----------------------|-----------------------|---------|
| | | | YM155 | YM155D | YM155 | YM155D | | | | |
| 100- 1 | LABEL, side mark | 194340-64720 | 2 | | | | | | | |
| 100- 2 | LABEL, side mark | 194341-64720 | | 2 | | | | | | |
| 100- 3 | LABEL, gear oil | 194200-65300 | 1 | | | | | | | |
| 100- 4 | LABEL, gear oil | 194210-65300 | | 1 | | | | | | |
| 100- 5 | LABEL, 4-wheel oil | 194211-65310 | | 1 | | | | | | |
| 100- 6 | LABEL, water pilot | 194446-65321 | 1 | 1 | | | | | | |
| 100- 7 | LABEL, oil pressure | 194242-65330 | 1 | 1 | | | | | | |
| 100- 8 | LABEL, engine starting | 194242-65350 | 1 | 1 | | | | | | |
| 100- 9 | LABEL, horn switch | 194130-65380 | 1 | 1 | | | | | | |
| 100-10 | LABEL, throttle lever | 194240-65432 | 1 | 1 | | | | | | |
| 100-11 | LABEL, differential lock | 194340-65441 | 1 | 1 | | | | | | |
| 100-12 | LABEL, decompression indication | 194242-65450 | 1 | 1 | | | | | | |
| 100-13 | LABEL (L) | 194345-65500 | 1 | 1 | | | | | YANMAR DIESEL TRACTOR | |
| | LABEL (L) | 194345-65501 | 1 | 1 | | | | N | YANMAR DIESEL | |
| 100-14 | LABEL (R) | 194340-65510 | 1 | 1 | | | | | | |
| | LABEL (R) | 194345-65511 | 1 | 1 | | | | N | | |
| 100-15 | LABEL, hyd. lift indication | 194242-65510 | 1 | 1 | | | | | | |
| 100-16 | LABEL, caution | 194242-65620 | 1 | 1 | | | | | | |
| 100-17 | LABEL, gear oil | 194242-65630 | 1 | 1 | | | | | | |
| 100-18 | LABEL, caution | 194242-65660 | 1 | 1 | | | | | | |
| 100-19 | LABEL, fuel | 194242-65670 | 1 | 1 | | | | | | |
| 100-20 | LABEL, steering | 194242-65690 | 1 | 1 | | | | | | |
| 100-21 | LABEL, key switch | 194242-65720 | 1 | 1 | | | | | | |
| 100-22 | LABEL, clutch caution | 194340-65810 | 1 | 1 | | | | | | |

Fig. 100 LABELS (PORTUGAL) [YM155, YM155D]

M E M O

| Refer. No. | Description | Part No. | Q'ty/Unit | | | | Sales Unit | Inter-change ability | Design-change Mark | Remarks |
|------------|------------------------|--------------|-----------|--------|-------|--------|------------|----------------------|--------------------|---------|
| | | | YM155 | YM155D | YM135 | YM135D | | | | |
| 100-23 | LABEL, oil press. stop | 194340-65820 | 1 | 1 | | | | | | |
| 100-24 | LABEL, T.D.F. | 194340-65830 | 1 | 1 | | | | | | |
| 100-25 | LABEL, flusher | 194340-65840 | 1 | 1 | | | | | | |
| 100-26 | LABEL, slow return | 194340-65850 | 1 | 1 | | | | | | |
| 100-27 | LABEL, subtransmission | 194340-65860 | 1 | 1 | | | | | | |
| 100-28 | LABEL, 4-wheel driving | 194341-65870 | | 1 | | | | | | |
| 100-29 | LABEL, lubrication | 194340-65880 | 1 | | | | | | | |
| 100-30 | LABEL, lubrication | 194341-65880 | | 1 | | | | | | |

Fig. 101 LABELS (U.S.A.) [YM135, YM135D]

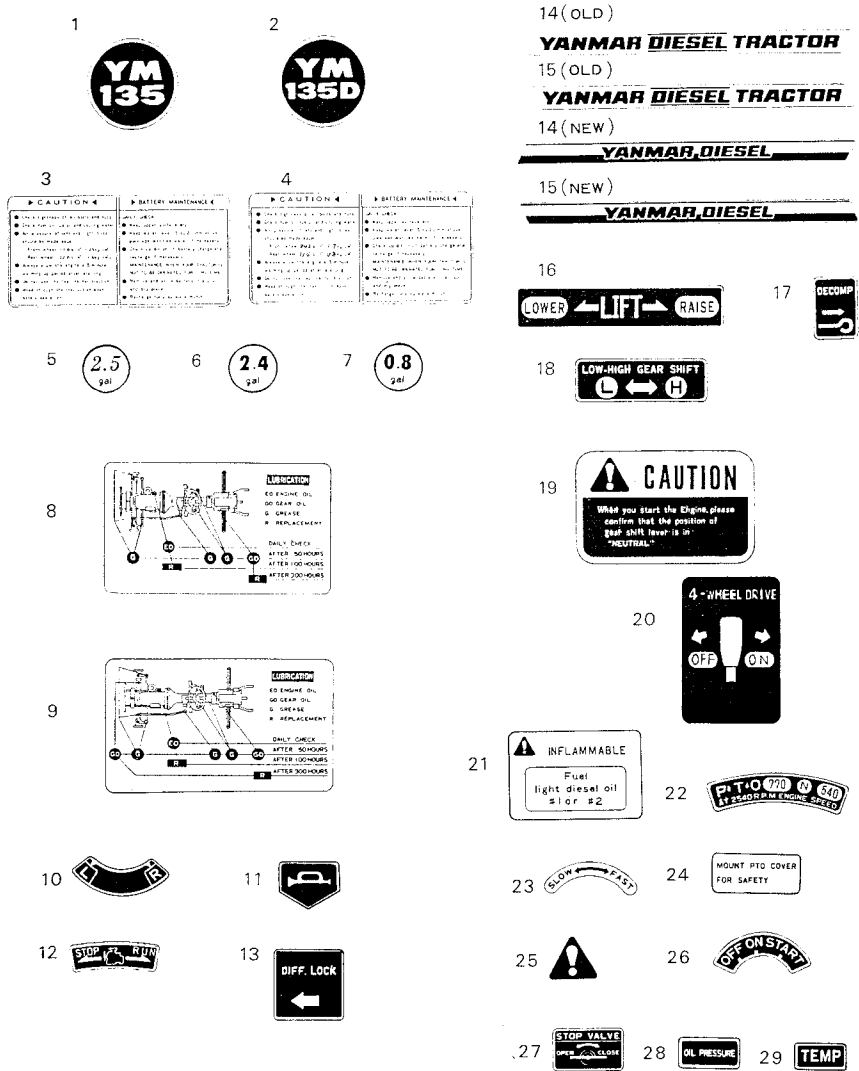


Fig. 101 LABELS (U.S.A.) [YM135, YM135D]

| Refer. No. | Description | Part No. | Qty/Unit | | | | Inter-change ability | Design-change Mark | Remarks |
|------------|---------------------------------|--------------|----------|--------|-------|--------|----------------------|-----------------------|---------|
| | | | YM135 | YM135D | YM135 | YM135D | | | |
| 101- 1 | LABEL, side mark | 194390-64720 | | | 2 | | | | |
| 101- 2 | LABEL, side mark | 194391-64720 | | | 2 | | | | |
| 101- 3 | LABEL, caution | 194390-65200 | | | | | | | |
| 101- 4 | LABEL, caution | 194390-65210 | | | 1 | 1 | | | |
| 101- 5 | LABEL, gear oil | 194340-65300 | | | 1 | | | | |
| 101- 6 | LABEL, gear oil | 194341-65300 | | | | 1 | | | |
| 101- 7 | LABEL, 4-wheel oil | 194341-65311 | | | | 1 | | | |
| 101- 8 | LABEL, lubrication | 194340-65320 | | | 1 | | | | |
| 101- 9 | LABEL, lubrication | 194341-65320 | | | | 1 | | | |
| 101-10 | LABEL, flusher | 194150-65360 | | | 1 | 1 | | | |
| 101-11 | LABEL, horn switch | 194130-65380 | | | 1 | 1 | | | |
| 101-12 | LABEL, throttle lever | 194240-65430 | | | 1 | 1 | | | |
| 101-13 | LABEL, differential lock | 194340-65441 | | | 1 | 1 | | | |
| 101-14 | LABEL (L) | 194345-65500 | | | 1 | 1 | | YANMAR DIESEL TRACTOR | |
| | LABEL (L) | 194390-65501 | | | 1 | 1 | N | YANMAR DIESEL | |
| 101-15 | LABEL (R) | 194340-65510 | | | 1 | 1 | | | |
| | LABEL (R) | 194390-65511 | | | 1 | 1 | N | | |
| 101-16 | LABEL, hyd. lift indication | 194240-65510 | | | 1 | 1 | | | |
| 101-17 | LABEL, decompression indication | 194340-65590 | | | 1 | 1 | | | |
| 101-18 | LABEL, subtransmission | 194340-65601 | | | 1 | 1 | | | |
| 101-19 | LABEL, transmission caution | 194240-65620 | | | 1 | 1 | | | |
| 101-20 | LABEL, 4-wheel driving | 194341-65661 | | | | 1 | | | |

Fig. 101 LABELS (U.S.A.) [YM135, YM135D]

M E M O

| Refer. No. | Description | Part No. | Q'ty/Unit | | | Sales Unit | Inter-change ability | Design-change Mark | Remarks |
|------------|------------------------|--------------|-----------|--------|-------|------------|----------------------|--------------------|---------|
| | | | YM135 | YM135D | YM135 | | | | |
| 101-21 | LABEL, fuel | 194240-65670 | | | 1 | 1 | | | |
| 101-22 | LABEL, P.T.O. | 194340-65670 | | | 1 | 1 | | | |
| 101-23 | LABEL, slow return | 194340-65690 | | | 1 | 1 | | | |
| 101-24 | LABEL, PTO cover | 194240-65710 | | | 1 | 1 | | | |
| 101-25 | LABEL, caution | 194240-65720 | | | 1 | 1 | | | |
| 101-26 | LABEL, key switch | 194340-65720 | | | 1 | 1 | | | |
| 101-27 | LABEL, oil press. stop | 194340-65750 | | | 1 | 1 | | | |
| 101-28 | LABEL, oil pressure | 194081-99230 | | | 1 | 1 | | | |
| 101-29 | LABEL, water pilot | 194190-99240 | | | 1 | 1 | | | |

Fig. 102 LABELS (FRANCE) [YM135,YM135D]

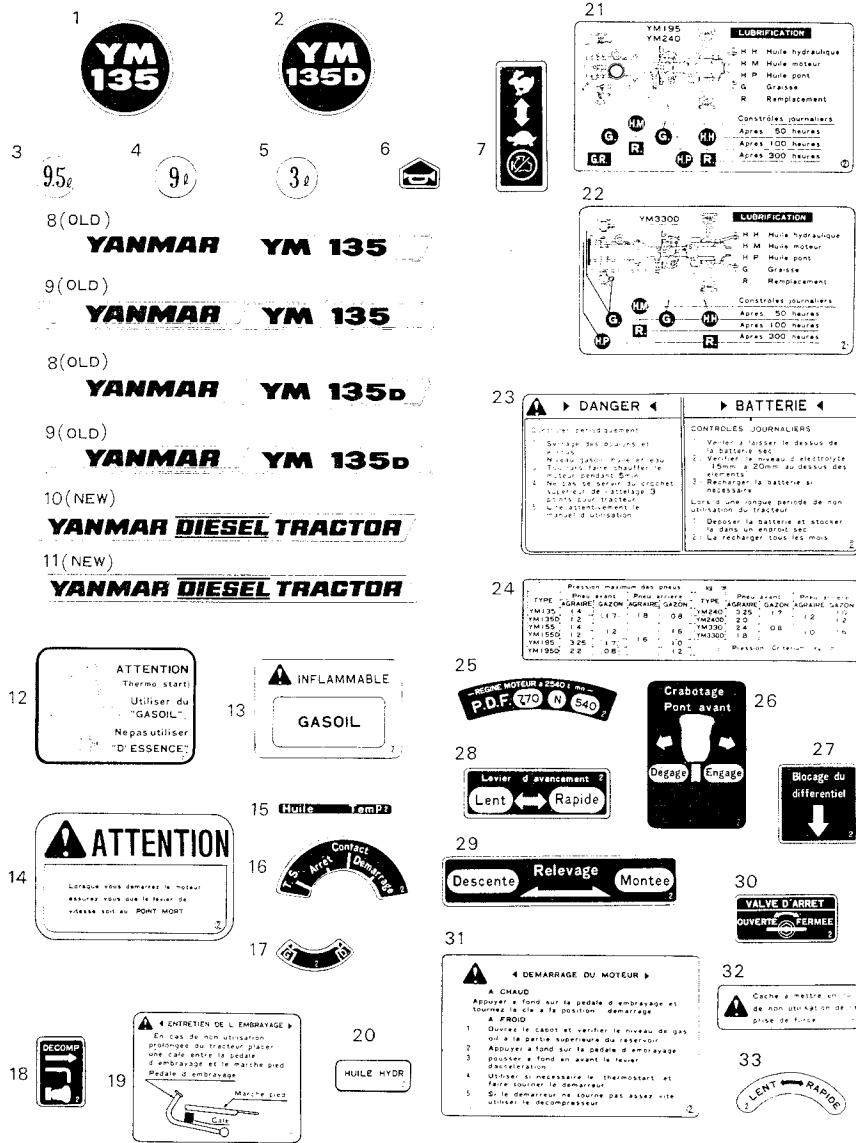


Fig. 102 LABELS (FRANCE) [YM135,YM135D]

| Refer. No. | Description | Part No. | Qty/Unit | | | | Sales Unit | Inter-changeability | Design-change Mark | Remarks |
|------------|------------------------------|--------------|----------|--------|-------|--------|------------|---------------------|--------------------|---------|
| | | | YM135 | YM135D | YM135 | YM135D | | | | |
| 102- 1 | LABEL, side mark | 194390-64720 | | | 2 | | | | | |
| 102- 2 | LABEL, side mark | 194391-64720 | | | 2 | | | | | |
| 102- 3 | LABEL, gear oil | 194200-65300 | | | 1 | | | | | |
| 102- 4 | LABEL, gear oil | 194210-65300 | | | 1 | | | | | |
| 102- 5 | LABEL, 4-wheel oil | 194211-65310 | | | 1 | | | | | |
| 102- 6 | LABEL, horn switch | 194130-65380 | | | 1 | | | | | |
| 102- 7 | LABEL, throttle lever | 194240-65431 | | | 1 | | | | | |
| | LABEL, throttle lever | 194240-65432 | | | 1 | | | N | | |
| 102- 8 | LABEL (L) | 194390-65500 | | | 1 | | | | | |
| | LABEL (L) | 194391-65500 | | | 1 | | | | | |
| 102- 9 | LABEL (R) | 194390-65510 | | | 1 | | | | | |
| | LABEL (R) | 194391-65510 | | | 1 | | | | | |
| 102-10 | LABEL (L) | 194390-65501 | | | 1 | | | | | |
| 102-11 | LABEL (R) | 194390-65511 | | | 1 | | | | | |
| 102-12 | LABEL, fuel | 194340-66320 | | | 1 | | | | | |
| 102-13 | LABEL, fuel level indication | 194240-98220 | | | 1 | | | | | |
| 102-14 | LABEL, transmission caution | 194240-98230 | | | 1 | | | | | |
| 102-15 | LABEL, pilot | 194340-98240 | | | 1 | | | | | |
| 102-16 | LABEL, key switch | 194240-98250 | | | 1 | | | | | |
| 102-17 | LABEL, flusher | 194240-98260 | | | 1 | | | | | |

Fig. 102 LABELS (FRANCE) [YM135,YM135D]

M E M O

| Refer. No. | Description | Part No. | Q'ty/Unit | | | Sales Unit | Inter-change ability | Design-change Mark | Remarks |
|------------|---------------------------------|--------------|-----------|--------|-------|------------|----------------------|--------------------|---------|
| | | | YM155 | YM155D | YM135 | | | | |
| 102-18 | LABEL, decompression indication | 194340-98270 | | | 1 | 1 | | | |
| 102-19 | LABEL, clutch handling | 194340-98280 | | | 1 | 1 | | | |
| 102-20 | LABEL, gear oil indication | 194240-98290 | | | 1 | 1 | | | |
| 102-21 | LABEL, lubrication | 194240-98300 | | | 1 | | | | |
| 102-22 | LABEL, lubrication | 194240-98310 | | | | 1 | | | |
| 102-23 | LABEL, handling caution | 194240-98320 | | | 1 | 1 | | | |
| 102-24 | LABEL, air pressure | 194240-98330 | | | 1 | 1 | | | |
| 102-25 | LABEL, PDF | 194340-98340 | | | 1 | 1 | | | |
| 102-26 | LABEL, 4-wheel driving | 194341-98350 | | | | 1 | | | |
| 102-27 | LABEL, differential lock | 194240-98360 | | | 1 | 1 | | | |
| 102-28 | LABEL, subtransmission | 194340-98370 | | | 1 | 1 | | | |
| 102-29 | LABEL, hyd. lift indication | 194240-98380 | | | 1 | 1 | | | |
| 102-30 | LABEL, oil press. stop | 194340-98390 | | | 1 | 1 | | | |
| | LABEL, oil press. stop | 194340-98391 | | | 1 | 1 | N | | |
| 102-31 | LABEL, engine starting | 194240-98400 | | | 1 | 1 | | | |
| 102-32 | LABEL, PTO cover | 194240-98410 | | | 1 | 1 | | | |
| 102-33 | LABEL, slow return | 194340-98421 | | | 1 | 1 | | | |

Fig. 105 ROLL BAR

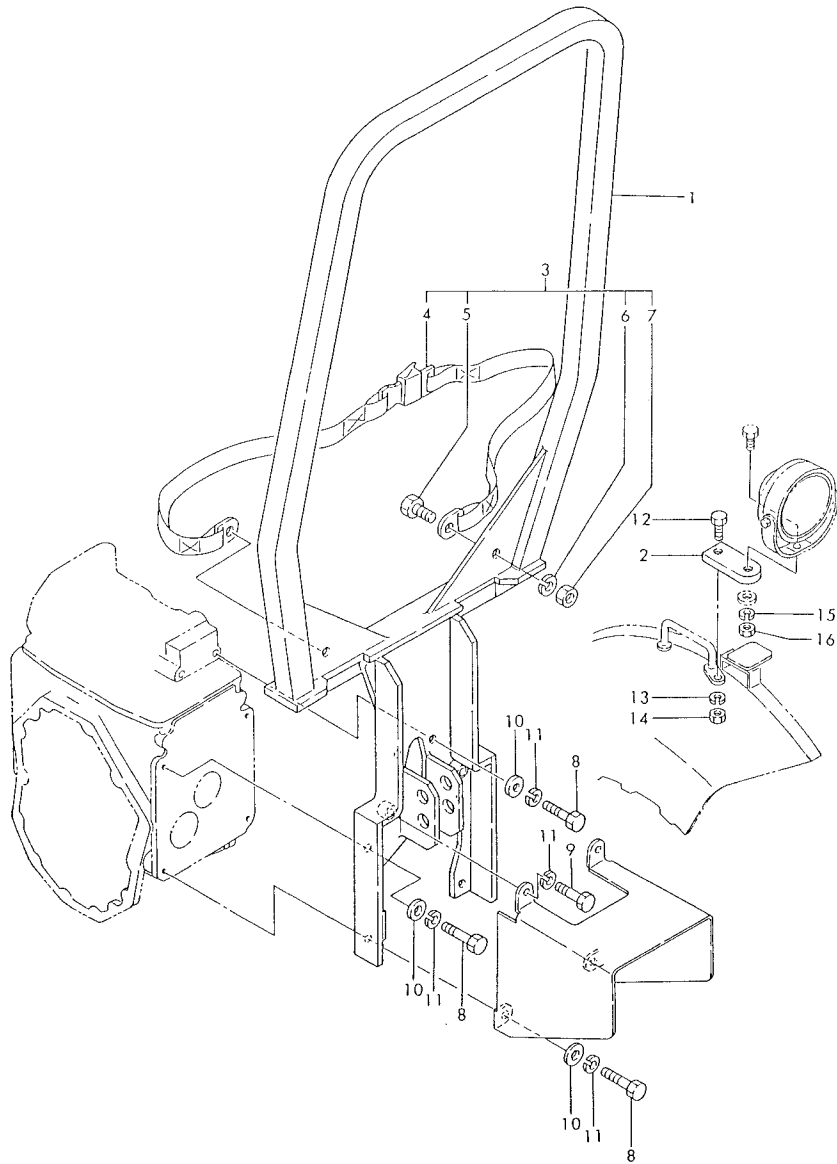


Fig. 105 ROLL BAR

(A)=YM155 (C)=YM135
(B)=YM155D (D)=YM135D

| Ref No. | lev. | O | PART NO. | DESCRIPTION | A | B | C | D | P/U | REMARKS |
|---------|------|---|----------------|----------------------------------|---|---|---|---|-----|---------|
| 1 | . | | 2 - 12840 | ROLL BAR WELDMENT | 1 | 1 | 1 | 1 | | |
| 2 | . | | 1 - 26629 | BRACKET, LIGHT | 1 | 1 | 1 | 1 | | |
| 3 | . | | 4 - 11790 | SEAT BELT KIT | 1 | 1 | 1 | 1 | | |
| 4 | .. | | 3 - 10287 | SEAT BELT | 1 | 1 | 1 | 1 | | |
| 5 | .. | | 3 - 10045 | SCREW, HEX CAP 0,437-14X1,00 | 2 | 2 | 2 | 2 | | |
| 6 | .. | | 3 - 10152 | WASHER, LOCK 0,437 | 2 | 2 | 2 | 2 | | |
| 7 | .. | | 3 - 10066 | NUT, HEX 0,437-14NC | 2 | 2 | 2 | 2 | | |
| 8 | . | | 3 - 12356 | SCREW M12X35X1,75 | 6 | 6 | 6 | 6 | | |
| 9 | . | | 3 - 10046 | SCREW, HEX CAP | 2 | 2 | 2 | 2 | | |
| 10 | . | | 3 - 10087 | WASHER, FLAT 0,500 | 6 | 6 | 6 | 6 | | |
| 11 | . | | 3 - 10079 | WASHER, LOCK 0,500 | 8 | 8 | 8 | 8 | | |
| 12 | . | | 3 - 10386 | SCREW, HEX CAP 0,312X18X0,750 | 1 | 1 | 1 | 1 | | |
| 13 | . | | 3 - 10077 | WASHER, LOCK 0,312 | 1 | 1 | 1 | 1 | | |
| 14 | . | | 3 - 10064 | NUT, HEX 0,312X18NC | 1 | 1 | 1 | 1 | | |
| 15 | . | | 22217 - 080000 | SPRING WASHER 8 | 1 | 1 | 1 | 1 | | |
| 16 | . | | 26716 - 080002 | NUT M8 | 1 | 1 | 1 | 1 | | |

Alphabetical Index

Fig.No

| | | | | | | | | | | | |
|------------|--------------------------------|------------|-----------------------------|-------------|---------------------------------|--------|-------------------------------|--|---|--|--|
| A | | | C conti. | | | F | | | H | | |
| 81 | Adjustment Shaft, Lift link | 81 | Check chains | 9 | Fan | 61, 65 | Harness, wiring rear lights | | | | |
| 14, 15 | Aid, starting | 4, 4A | Cleaner, Air | 9 | Fan belt | 1 | Head gasket | | | | |
| 4, 4A | Air Cleaner | 30, 32 | Clutch disc | 73, 77 | Fenders | 3 | Head, cylinder | | | | |
| 14 | Alternator | 30, 32 | Clutch drive shaft | 12 | Filter, fuel | 81 | Hitch, 3 point | | | | |
| 16 | Alternator components | 30, 32 | Clutch housing | 8 | Filter, oil | 67, 71 | Hood | | | | |
| 14 | Alternator, bracket adjusting | 30, 32 | Clutch pedal | 60 | Filter, hyd. oil | 9 | Hose, radiator | | | | |
| 14 | Alternator, strap | 7 | Connecting rod | 41, 43 | Final drive gear | 61, 65 | Hourmeter | | | | |
| 39, 40 | Arm, shifter range box | 59 | Control valve, lift arm | 84 | Flasher | 25, 26 | Housing, front Axle 135D,155D | | | | |
| 58 | Arm, lift | 67, 71 | Cover, front light | 6 | Flywheel | 47 | Housing, brake | | | | |
| 81 | Arm, 3 point | 3 | Cover, rocker arm | 39, 40 | Fork, PTO shifter | 30, 32 | Housing, clutch | | | | |
| 3 | Arm, rocker | 34 | Cover, transmission | 39, 40 | Fork, Range shifter | 59 | Housing, control valve | | | | |
| 28, 29 | Arm, steering | 67, 71 | Cowl | 23,24,25,26 | Frame, side | 41, 43 | Housing, differential (Rear) | | | | |
| 15 | Armature, starter | 6 | Crankshaft | 23, 24 | Front axle 135,155 | 41, 43 | Housing, rear axle | | | | |
| 58 | Arms, rockshaft | 1 | Cylinder block | 25, 26 | Front axle 135D, 155D | 58 | Housing, lift arm | | | | |
| 41,43 | Axle housing, rear | 3 | Cylinder head | 50, 54 | Front hub, wheel 135, 155 | 50, 54 | Hub, front 135, 155 | | | | |
| 23, 24 | Axle, front 135,155 | 1 | Cylinder liner | 51, 55 | Front hub, wheel 135D, 155D | 51, 55 | Hub, front 135D, 155D | | | | |
| 25, 26, 27 | Axle, front 135D,155D | | | 61, 65 | Front lights | 59 | Hydraulic control valve | | | | |
| 41, 43 | Axle, rear | | | 94, 95 | Front PTO electric | 58 | Hydraulic lift cylinder | | | | |
| | | 96, 101 | D | | | | | | | | |
| | | 18, 20 | Decals, chassis | 23,24,25,26 | Front weight support | | | | | | |
| | | 3 | Decompression control | 39, 40 | Front wheel dr. shifter | | | | | | |
| 61, 65 | Battery | 27, 41, 43 | Decompression linkage | 50, 54 | Front wheel bearings 135, 155 | 67, 71 | | | | | |
| 61, 65 | Battery, cable | 41, 43 | Differential bevel gear | 51, 55 | Front wheel bearings 135D, 155D | | | | | | |
| 61, 65 | Battery, clamp | 27 | Differential housing, rear | 12 | Fuel filter | | | | | | |
| 6 | Bearing, main | 44, 46 | Differential housing, front | 11 | Fuel injection nozzle | 61, 65 | | | | | |
| 50, 54 | Bearing, front wheel 135,155 | 44, 46 | Differential lock pedal | 12 | Fuel injection lines | 103 | | | | | |
| 27 | Bearing, front wheel 135D,155D | 44, 46 | Differential lock shaft | 10 | Fuel injection pump | 104 | | | | | |
| 9 | Belt, fan | 1 | Dipstick, engine | 11 | Fuel injector holder | | | | | | |
| 1 | Block, Cylinder | 34 | Dipstick, transmission | 21, 22 | Fuel tank | | | | | | |
| 1 | Block, Cylinder parts | 30, 32 | Disc, clutch | 61, 65 | Fuse box | 96,101 | | | | | |
| 73, 77 | Bracket, seat | 81 | Draft link support | 61, 65 | Fuses | 59 | | | | | |
| 47, 49 | Brake drum | 28, 29 | Drag link | | | 39, 40 | | | | | |
| 41, 43 | Brake housin g | 79 | Drawbar | | | 58 | | | | | |
| 47, 49 | Brake pedal | 79 | Drawbar support | 104 | | | | | | | |
| 47, 49 | Brake shaft | 27 | Drive shaft, front | 1 | G | | | | | | |
| 47, 49 | Brake shoes | 47, 49 | Drum, brake | 5 | Gasket, replacement kit | 61, 65 | | | | | |
| 61, 65 | Bulbs | | | 2 | Gasket, head | 61, 65 | | | | | |
| | | 4 | E | | | | | | | | |
| 61, 65 | Cable, battery | 12 | Element, air cleaner | 27, 41, 43 | Gear, differential bevel | 1 | | | | | |
| 5 | Camshaft | 4 | Element, fuel filter | 41, 43 | Gear, final drive | 60 | | | | | |
| 34 | Case, transmission | 4 | Exhaust manifold | 36, 38 | Gear, front drive | 81, 82 | | | | | |
| 15 | Center housing, starter | 4 | Exhaust pipe | 36, 38 | Gear, transmission | 18, 20 | | | | | |
| | | | | 13 | Governor, fuel | | | | | | |
| | | | | 67, 71 | Grille | | | | | | |

-I-

-K

L

| | | | | | |
|------------|----------------------------|----------------|-------------------------|----------------|---------------------------------|
| | M | | R | | S conti. |
| 6 | Main bearing | 9 | Radiator | 61, 65 | Switch, light |
| 4 | Manifold, exhaust | 9 | Radiator hose | 23 | Switch, pressure |
| 34 | Master PTO shield | 23, 24, 25, 26 | Radiator support | 94 | Switch, PTO front |
| 4 | Muffler | 41, 43 | Rear axle | 61, 65 | Switch, Starter |
| | | 41, 43 | Rear axle housing | 9 | Switch, temperature |
| | N | 13 | Regulator | | |
| 11 | Nozzle, fuel injection | 50, 51, 54, 55 | Rim, ag tire | | T |
| | | 91, 92, 93 | Rim, turf tire | 21, 22 | Tank, fuel |
| | O | 7 | Rings, piston | 17 | Tank, starting aid |
| 8 | Oil filter element, engine | 3 | Rocker arm & shaft | 9 | Temperature switch |
| 60 | Oil filter, hydraulic | 3 | Rocker arm cover | 17 | Thermostat |
| 8 | Oil lines, engine | 58 | Rockshaft arms | 18, 20 | Throttle |
| 60 | Oil lines, hydraulic | 59 | Rockshaft control valve | 23, 24, 25, 26 | Tie rod |
| 1 | Oil pan | 58 | Rockshaft housing cover | 2 | Timing gear housing |
| 8 | Oil pump, engine | 58 | Rockshaft piston | 50, 51, 54, 55 | Tires, Ag |
| 2 | Oil pump, hydraulic | 7 | Rod, connecting | 91, 92, 93 | Tires, turf |
| | | 105 | Roll Bar | 90 | Tools |
| | P | | | 81, 82 | Top link |
| 1 | Pan, oil | | -S- | 34 | Transmission case |
| 67, 71 | Panci, instrument | 61, 65 | Safety switch | 28, 29 | Tube, steering |
| 47, 49 | Pedal, brake | 73, 77 | Seat | 61, 65 | Turn signal switch |
| 30, 32 | Pedal, clutch | 36, 38 | Shaft, main drive | | |
| 44, 46 | Pedal, dif lock | 39, 40 | Shaft, speed shifter | | V |
| 27, 41, 43 | Pinion, bevel | 34 | Shield, PTO master | 3 | Valve, engine |
| 7 | Piston | 39, 40 | Shifter fork | 59 | Valve, rockshaft control |
| 7 | Piston rings | 39, 40 | Shifter, range arm | | |
| 58 | Piston, rockshaft | 47, 49 | Shoe, brake | | W |
| 4A | Pre cleaner | 23, 24, 25, 26 | Side frame | 50, 52 | Wheel bearing 135, 155(Front) |
| 8 | Pressure switch, oil | 19, 20 | Speed control linkages | 27 | Wheel bearing 135D, 155D(Front) |
| 94, 95 | PTO, front | 2 | Speed hour meter drive | 41, 43 | Wheel bearing (Rear) |
| 34 | PTO, master shield | 55 | Spindle 135D | 28, 29 | Wheel, steering |
| 33 | PTO, overrunning clutch | 51 | Spindle 155D | 85 | Working Light |
| 33 | PTO, shaft | 14, 15 | Starter | | |
| 39, 40 | PTO, shifter fork | 15 | Starter, armature | | |
| 6 | Pulley, crankshaft | 61, 65 | Starter switch | | |
| 10 | Pump, fuel injection | 14 | Starting aid | | |
| 2 | Pump, hydraulic | 28, 29 | Steering housing | | |
| 9 | Pump, engine oil | 28, 29 | Steering tube | | |
| 5 | Push rod | 73, 77 | Steps | | |
| | | 14 | Strap, alternator | | |
| | | 79 | Support, drawbar | | |
| | | 61, 65 | Switch, key | | |

NUMERICAL PART NO. LIST

ENGINE PARTS

NUMERICAL PART NO. LIST

| Part No. | Description | Refer. No. | Qty/Unit | | Remarks |
|--------------|---------------------------------|------------|----------|-------|---------|
| | | | 2T13A | 2T73A | |
| 101147-12550 | WING NUT | 4- 3 | 1 | 1 | |
| 101147-12550 | WING NUT | 4A-14 | 1 | 1 | |
| 101147-59810 | BOLT, swivel pipe joint | 12- 31 | 2 | 2 | |
| 101158-11190 | COTTER, valve | 3- 11 | 4 | 4 | |
| 101158-11230 | SCREW, valve clearance | 3- 28 | 4 | 4 | |
| 101204-11450 | PACKING | 3- 33 | 4 | 4 | |
| 101204-11450 | PACKING, chamber | 104-13 | 4 | 4 | |
| 101204-11452 | PACKING | 3- 33 | 4 | 4 | |
| 101204-11452 | PACKING, chamber | 104-13 | 4 | 4 | |
| 101304-59020 | JOINT, swivel pipe | 12- 23 | 1 | 1 | |
| 101720-55750 | PLUG, fuel strainer air venting | 12- 2 | 2 | 2 | |
| 102103-55520 | O-RING, fuel strainer cover | 12- 12 | 1 | 1 | |
| 102103-55520 | O-RING, fuel strainer | 104-25 | 1 | 1 | |
| 103338-01240 | WASHER, lock nut | 1- 7 | 6 | 6 | |
| 103338-01240 | WASHER, lock nut | 1- 7 | 2 | 2 | |
| 103338-11430 | PIN, front pre-combustion | 3- 32 | 2 | 2 | |
| 103338-32570 | O-RING | 8- 4 | 1 | 1 | |
| 103338-32570 | O-RING, lub. oil pump | 104-18 | 1 | 1 | |
| 103854-11490 | INSULATOR | 3- 34 | 2 | 2 | |
| 103854-11490 | INSULATOR | 104-14 | 2 | 2 | |
| 103854-11900 | FLANGE, fuel injection valve | 3- 35 | 2 | 2 | |
| 103854-13580 | CLAMP | 4- 16 | 1 | 1 | |
| 103854-53100 | BODY, valve holder | 11- 4 | 2 | 2 | |
| 103854-53120 | SPRING, valve | 11- 6 | 2 | 2 | |
| 103854-53180 | RETAINER, valve spring | 11- 9 | 2 | 2 | |
| 103854-59191 | BOLT ASS'Y | 12- 25 | 1 | 1 | |
| 103854-66420 | BOLT, regulator | 13- 25 | 1 | 1 | |
| 104200-59170 | PACKING 12, copper | 12- 29 | 2 | 2 | |
| 104060-01511 | PACKING, gear case | 2- 8 | 1 | 1 | |
| 104200-03600 | SHAFT, decompression | 3- 41 | 2 | 2 | |
| 104200-03641 | SPRING, decompression | 3- 42 | 2 | 2 | |
| 104200-11100 | VALVE, suction | 3- 2 | 2 | 2 | |
| 104200-11110 | VALVE, exhaust | 3- 3 | 2 | 2 | |
| 104200-11180 | RETAINER, valve spring | 3- 10 | 4 | 4 | |
| 104200-11350 | STUD | 3- 5 | 2 | 2 | |
| 104200-11410 | CHAMBER (REAR), | 3- 30 | 2 | 2 | |
| 104200-11420 | CHAMBER (FRONT) w/PIN | 3- 31 | 2 | 2 | |
| 104200-14200 | TAPPET | 5- 4 | 4 | 4 | |
| 104200-22300 | PIN, piston | 7- 6 | 2 | 2 | |
| 104200-53080 | NUT, valve fitting | 11- 3 | 2 | 2 | |
| 104200-55321 | TAPER VALVE | 12- 5 | 1 | 1 | |
| 104200-55330 | VALVE SPRING | 12- 6 | 1 | 1 | |
| 104200-55750 | LOCK SCREW, cock handle | 12- 8 | 1 | 1 | |
| 104200-59170 | PACKING, pipe | 104-26 | 2 | 2 | |
| 104200-61200 | WEIGHT, governor | 13- 1 | 2 | 2 | |

NUMERICAL PART NO. LIST

| Part No. | Description | Refer. No. | Qty/Unit | | Remarks |
|--------------|-------------------------------|------------|----------|-------|---------|
| | | | 2T13A | 2T73A | |
| 104211-11370 | RETAINER, valve | 3- 36 | 2 | 2 | |
| 104299-55341 | HANDLE, fuel cock | 12- 4 | 1 | 1 | |
| 104300-01220 | NUT, cylinder head lock | 1- 6 | 6 | 6 | |
| 104300-01220 | NUT, cylinder head lock | 1- 6 | 2 | 2 | |
| 104300-76460 | NUT, camshaft gear fitting | 5- 3 | 1 | 1 | |
| 104500-23201 | BOLT | 7- 9 | 4 | 4 | |
| 104500-55510 | BOWL, fuel strainer | 12- 10 | 1 | 1 | |
| 104500-55710 | ELEMENT, fuel strainer | 12- 9 | 1 | 1 | |
| 104500-55710 | ELEMENT, fuel strainer | 103-10 | 1 | 1 | |
| 104660-22300 | PIN, piston | 7- 6 | 2 | 2 | |
| 105582-21950 | BOLT, V-pulley | 6- 8 | 1 | 1 | |
| 106100-11350 | STUD | 3- 5 | 2 | 2 | |
| 106200-11400 | CHAMBER (FRONT) w/PIN | 3- 31 | 2 | 2 | |
| 110250-53150 | SHIM, valve spring adjusting | 11- 8 | 2 | 2 | |
| 110250-55610 | RETAINER, strainer element | 12- 11 | 1 | 1 | |
| 113200-53110 | SPINDLE, inter | 11- 5 | 2 | 2 | |
| 113200-53120 | SPRING SHOE, valve | 11- 7 | 2 | 2 | |
| 114060-21660 | WASHER, V-pulley | 6- 7 | 1 | 1 | |
| 121023-77910 | PLUG, thermostart | 17- 1 | 1 | 1 | |
| 121023-77910 | PLUG, thermostart | 103-11 | 1 | 1 | |
| 121250-01710 | BOLT M8 x 14, lower cover | 1- 39 | 12 | 12 | |
| 121250-13571 | PIPE, 2nd silencer | 4- 15 | 1 | 1 | |
| 121250-13571 | PIPE, 2nd silencer | 4- 15 | 1 | 1 | |
| 121250-13571 | PIPE, silencer | 4- 15 | 1 | 1 | |
| 121250-13580 | CLAMP | 4- 16 | 1 | 1 | |
| 121250-35300 | VALVE ASS'Y, pressure control | 8- 12 | 1 | 1 | |
| 121250-35320 | SPRING, pressure adjusting | 8- 14 | 1 | 1 | |
| 121250-35330 | SPRING SHOE, pressure | 8- 15 | 1 | 1 | |
| 121250-35340 | SHIM | 8- 16 | 1 | 1 | |
| 121450-01960 | PLUG PFI/4 | 1- 2 | 1 | 1 | |
| 121450-14120 | NUT | 5- 3 | 1 | 1 | |
| 121454-13651 | PIPE, silencer | 4- 15 | 1 | 1 | |
| 121462-01650 | STUD, starter motor | 1- 24 | 2 | 2 | |
| 121470-13580 | CLAMP | 4- 16 | 1 | 1 | |
| 121550-02110 | MAIN BEARING | 6- 11 | 1 | 1 | |
| 121550-02110 | MAIN BEARING, V-pulley side | 6- 13 | 1 | 1 | |
| 121750-01920 | PLUG | 1- 36 | 1 | 1 | |
| 122117-51560 | LOCK SCREW, fuel control | 10- 21 | 1 | 1 | |
| 124060-01050 | PLUG PFI/8 | 1- 12 | 6 | 6 | |
| 124060-01200 | STUD(A), cylinder head | 1- 4 | 5 | 5 | |
| 124060-01200 | STUD(A), cylinder head | 1- 4 | 1 | 1 | |
| 124060-01201 | BOLT, cyl. head | 1- 38 | 4 | 4 | |
| 124060-01300 | PACKING, cylinder liner | 1- 34 | 4 | 4 | |
| 124060-01300 | PACKING, cyl. liner | 104- 5 | 4 | 4 | |
| 124060-01330 | GASKET, cylinder head | 1- 35 | 1 | 1 | |

NUMERICAL PART NO. LIST

| Part No. | Description | Refer. No. | Qty/Unit | | Remarks |
|--------------|-------------------------------|------------|----------|-------|---------|
| | | | 2TR13A | 2T73A | |
| 124060-01330 | GASKET, cyl. head | 104- 6 | 1 | | |
| 124060-01511 | PACKING, gear case | 2- 8 | 1 | 1 | |
| 124060-01511 | PACKING, gear case | 104- 7 | 1 | 1 | |
| 124060-01512 | PACKING, gear case | 2- 8 | 1 | 1 | |
| 124060-01512 | PACKING, gear case | 104- 7 | 1 | 1 | |
| 124060-01530 | PACKING, cover | 2- 16 | 1 | 1 | |
| 124060-01531 | PACKING, cover | 2- 16 | 1 | 1 | |
| 124060-01531 | PACKING, cover | 104- 8 | 1 | 1 | |
| 124060-01532 | PACKING, cover | 2- 16 | 1 | 1 | |
| 124060-01532 | PACKING, cover | 104- 8 | 1 | 1 | |
| 124060-01540 | CONNECTOR, lub. oil feed | 1- 10 | 1 | 1 | |
| 124060-01550 | FLANGE, timing gear case | 1- 20 | 1 | 1 | |
| 124060-01551 | FLANGE, timing gear case | 1- 20 | 1 | 1 | |
| 124060-01560 | PACKING, flange | 1- 21 | 1 | 1 | |
| 124060-01560 | PACKING, flange | 104- 3 | 1 | 1 | |
| 124060-01570 | BRACKET, bolt | 2- 21 | 1 | 1 | |
| 124060-01580 | STUD | 2- 47 | 4 | 4 | |
| 124060-01601 | FLANGE, mounting | 1- 23 | 1 | 1 | |
| 124060-01602 | FLANGE, mounting | 1- 23 | 1 | 1 | |
| 124060-01640 | PLUG | 1- 14 | 1 | 1 | |
| 124060-01650 | STUD, starter motor | 1- 24 | 2 | 2 | |
| 124060-01660 | PARALLEL PIN 8 x 22 | 1- 9 | 1 | 1 | |
| 124060-01732 | COVER, cylinder lower | 1- 13 | 1 | 1 | |
| 124060-01741 | PACKING, cyl. lower cover | 104- 2 | 1 | 1 | |
| 124060-01742 | PACKING, cylinder lower cover | 1- 16 | 1 | 1 | |
| 124060-01742 | PACKING, cyl. lower cover | 104- 2 | 1 | 1 | |
| 124060-01881 | PACKING, hydraulic oil pump | 2- 34 | 1 | 1 | |
| 124060-01882 | PACKING, hydraulic | 2- 34 | 1 | 1 | |
| 124060-01882 | PACKING, oil pump | 104-10 | 1 | 1 | |
| 124060-01883 | PACKING, hydraulic | 2- 34 | 1 | 1 | |
| 124060-01883 | PACKING, oil pump | 104-10 | 1 | 1 | |
| 124060-01900 | BUSH, regulator handle shaft | 2- 5 | 1 | 1 | |
| 124060-01910 | BUSH, governor lever shaft | 2- 6 | 1 | 1 | |
| 124060-02020 | BACKING, main bearing housing | 6- 15 | 1 | 1 | |
| 124060-02100 | MAIN BEARING | 6- 11 | 1 | 1 | |
| 124060-02100 | MAIN BEARING, V-pulley side | 6- 13 | 1 | 1 | |
| 124060-02101 | MAIN BEARING | 6- 11 | 1 | 1 | |
| 124060-02101 | MAIN BEARING, V-pulley side | 6- 13 | 1 | 1 | |
| 124060-02110 | THRUST BEARING | 6- 14 | 2 | 2 | |
| 124060-02220 | OIL SEAL, crankshaft | 6- 12 | 1 | 1 | |
| 124060-03080 | PLATE, breather baffle | 2- 12 | 1 | 1 | |
| 124060-03200 | JOINT, pipe | 2- 14 | 1 | 1 | |
| 124060-03750 | LEVER, decompression | 3- 43 | 2 | 2 | |
| 124060-03760 | CONNECTOR | 3- 44 | 1 | 1 | |
| 124060-07300 | POINTER, V-pulley | 2- 9 | 1 | 1 | |

NUMERICAL PART NO. LIST

| Part No. | Description | Refer. No. | Qty/Unit | | Remarks |
|--------------|-------------------------------|------------|----------|-------|---------|
| | | | 2TR13A | 2T73A | |
| 124060-11120 | SPRING | 3- 9 | 4 | 4 | |
| 124060-11160 | VALVE GUIDE, suction | 3- 7 | 2 | 2 | |
| 124060-11170 | VALVE GUIDE, exhaust | 3- 8 | 2 | 2 | |
| 124060-11260 | SUPPORT, valve rocker arm | 3- 37 | 2 | 2 | |
| 124060-11280 | PIN, support | 3- 55 | 2 | 2 | |
| 124060-11290 | WASHER, valve rocker arm | 3- 38 | 4 | 4 | |
| 124060-11310 | PACKING, bonnet (Sheet type) | 3- 51 | 1 | 1 | |
| 124060-11311 | PACKING, bonnet (O-Ring type) | 3- 51 | 1 | 1 | |
| 124060-11311 | PACKING, bonnet | 104-15 | 1 | 1 | |
| 124060-11510 | PLUG PT1/2 | 3- 4 | 1 | 1 | |
| 124060-12020 | BRACKET, air cleaner | 4- 12 | 1 | 1 | |
| 124060-12030 | PACKING, bracket | 4- 29 | 1 | 1 | |
| 124060-12030 | PACKING, cleaner bracket | 104-17 | 1 | 1 | |
| 124060-12501 | AIR CLEANER | 4- 1 | 1 | 1 | |
| 124060-12502 | AIR CLEANER | 4- 1 | 1 | 1 | |
| 124060-12510 | ELEMENT, air cleaner | 4- 2 | 1 | 1 | |
| 124060-12520 | RETAINER, air cleaner | 4- 6 | 1 | 1 | |
| 124060-12521 | RETAINER, air cleaner | 4- 6 | 1 | 1 | |
| 124060-12530 | PIPE, air intake to cleaner | 4- 10 | 1 | 1 | |
| 124060-13811 | 1st SILENCER, exhaust | 4- 26 | 1 | | |
| 124060-14010 | CAMSHAFT | 5- 1 | 1 | 1 | |
| 124060-14090 | CAM, fuel | 5- 9 | 2 | 2 | |
| 124060-14100 | GEAR, camshaft | 5- 2 | 1 | 1 | |
| 124060-14400 | PUSH ROD, valve | 5- 5 | 4 | 4 | |
| 124060-14470 | WASHER | 5- 11 | 1 | 1 | |
| 124060-14950 | SPACER, fuel cam | 5- 10 | 1 | 1 | |
| 124060-21200 | GEAR, crankshaft | 6- 5 | 1 | 1 | |
| 124060-21590 | FLYWHEEL w/RING GEAR | 6- 18 | 1 | 1 | |
| 124060-21600 | RING GEAR | 6- 19 | 1 | 1 | |
| 124060-21680 | SHAFT, front P.T.O. | 6- 22 | 1 | 1 | |
| 124060-22090 | PISTON w/RINGS | 7- | 2 | | |
| 124060-23100 | BUSH, piston pin | 7- 10 | 2 | 2 | |
| 124060-23201 | BOLT, connecting rod | 7- 9 | 4 | 4 | |
| 124060-23300 | CRANK PIN BEARING | 7- 11 | 2 | 2 | |
| 124060-26051 | BRACKET, hydraulic pump | 2- 26 | 1 | 1 | |
| 124060-26052 | BRACKET, hydraulic pump | 2- 26 | 1 | 1 | |
| 124060-26061 | PACKING, bracket | 2- 32 | 1 | 1 | |
| 124060-26062 | PACKING, bracket | 2- 32 | 1 | 1 | |
| 124060-26062 | PACKING, bracket | 104- 9 | 1 | 1 | |
| 124060-26063 | PACKING, bracket | 2- 32 | 1 | 1 | |
| 124060-26063 | PACKING, bracket | 104- 9 | 1 | 1 | |
| 124060-26101 | DRIVING ASS'Y, hydraulic pump | 2- | 1 | 1 | |
| 124060-26401 | SHAFT, pump driving | 2- 27 | 1 | 1 | |
| 124060-26410 | RETAINER, bearing | 2- 29 | 1 | 1 | |
| 124060-26420 | SPACER, bearing | 2- 30 | 2 | 2 | |

NUMERICAL PART NO. LIST

NUMERICAL PART NO. LIST

| Part No. | Description | Refer. No. | Qty/Unit | | Remarks |
|--------------|----------------------------|------------|----------|-------|---------|
| | | | 2TR13A | 2T73A | |
| 124060-32091 | PACKING, Lub. oil pump | 8- 8 | 1 | 1 | |
| 124060-32091 | PACKING, lub. oil pump | 104-19 | 1 | 1 | |
| 124060-32092 | PACKING, Lub. oil pump | 8- 8 | 1 | 1 | |
| 124060-32092 | PACKING, lub. oil pump | 104-19 | 1 | 1 | |
| 124060-32130 | WASHER | 8- 10 | 2 | 2 | |
| 124060-32990 | PLUG | 8- 5 | 2 | 2 | |
| 124060-34800 | DIPSTICK | 1- 28 | 1 | | |
| 124060-34830 | BRACKET, dipstick | 1- 29 | 1 | 1 | |
| 124060-34840 | PACKING, bracket | 1- 30 | 1 | 1 | |
| 124060-34841 | PACKING, bracket | 1- 30 | 1 | 1 | |
| 124060-34841 | PACKING, bracket | 104- 4 | 1 | 1 | |
| 124060-34842 | PACKING, bracket | 1- 30 | 1 | 1 | |
| 124060-34842 | PACKING, bracket | 104- 4 | 1 | 1 | |
| 124060-35060 | PIPE, lub. oil intake | 8- 18 | 1 | 1 | |
| 124060-39200 | PIPE, lub. oil | 8- 20 | 1 | 1 | |
| 124060-39451 | SENDER, oil pressure | 8- 23 | 1 | 1 | |
| 124060-39451 | SENDER, oil pressure | 103- 6 | 1 | 1 | |
| 124060-44290 | V-BELT (A-28 inch) | 9- 3 | 1 | 1 | |
| 124060-44500 | RADIATOR | 9- 9 | 1 | 1 | |
| 124060-44510 | COCK | 9- 32 | 1 | 1 | |
| 124060-44650 | SHOCK ABSORBER, radiator | 9- 15 | 2 | 2 | |
| 124060-44660 | COVER(A), air cleaner side | 9- 18 | 1 | 1 | |
| 124060-44670 | COVER(B), exhaust silencer | 9- 19 | 1 | 1 | |
| 124060-44680 | COVER(C), exhaust silencer | 9- 20 | 1 | 1 | |
| 124060-44690 | BRACKET(A), cover (A) | 9- 21 | 1 | 1 | |
| 124060-44700 | BRACKET(B), cover (B) | 9- 22 | 1 | | |
| 124060-44710 | SPACER | 9- 23 | 1 | | |
| 124060-44800 | STUD | 9- 10 | 2 | 2 | |
| 124060-49010 | PIPE(A), cooling water | 9- 7 | 1 | 1 | |
| 124060-49020 | PIPE(B), cooling water | 9- 17 | 1 | 1 | |
| 124060-51100 | PLUNGER & BARREL | 10- 2 | 2 | | |
| 124060-51320 | VALVE, delivery | 10- 10 | 2 | 2 | |
| 124060-51500 | RACK ASS'Y, fuel control | 10- 17 | 1 | 1 | |
| 124060-55600 | STRAINER ASS'Y, fuel | 12- 1 | 1 | 1 | |
| 124060-59012 | PIPE ASS'Y | 12- 20 | 1 | 1 | |
| 124060-59101 | SPRING, fuel oil pipe | 12- 21 | 1 | 1 | |
| 124060-59380 | PLUG, air venting | 12- 26 | 1 | 1 | |
| 124060-59391 | BOLT, pipe joint | 12- 27 | 1 | 1 | |
| 124060-59801 | PIPE, fuel injection | 12- 16 | 1 | 1 | |
| 124060-59811 | PIPE, fuel injection | 12- 17 | 1 | 1 | |
| 124060-59900 | CLAMP, fuel injection pipe | 12- 18 | 2 | 2 | |
| 124060-61100 | GUIDE, sleeve | 13- 5 | 1 | 1 | |
| 124060-61110 | SUPPORT, governor weight | 13- 4 | 1 | 1 | |
| 124060-61120 | GEAR, governor | 13- 32 | 1 | 1 | |
| 124060-61130 | SPACER, strainer | 12- 33 | 1 | 1 | |

| Part No. | Description | Refer. No. | Qty/Unit | | Remarks |
|--------------|--------------------------------|------------|----------|-------|---------|
| | | | 2TR13A | 2T73A | |
| 124060-61130 | WASHER, gear | 13- 33 | 1 | 1 | |
| 124060-61500 | 1st LEVER | 13- 8 | 1 | 1 | |
| 124060-61501 | 1st LEVER | 13- 8 | 1 | 1 | |
| 124060-61550 | NUT, governor gear | 13- 34 | 1 | 1 | |
| 124060-61600 | SLEEVE, governor | 13- 6 | 1 | 1 | |
| 124060-61610 | SHAFT, 1st lever | 13- 9 | 1 | 1 | |
| 124060-66010 | SPRING, regulator | 13- 21 | 1 | 1 | |
| 124060-66040 | SHAFT, regulator handle | 13- 24 | 1 | 1 | |
| 124060-66060 | HANDLE, regulator | 13- 23 | 1 | 1 | |
| 124060-66070 | LEVER, regulator | 13- 22 | 1 | 1 | |
| 124060-66090 | LEVER, regulator | 13- 22 | 1 | 1 | |
| 124060-66150 | 2nd LEVER, governor | 13- 20 | 1 | 1 | |
| 124060-66550 | CONTROLLER ASS'Y | 13- 12 | 1 | 1 | |
| 124060-66551 | CONTROLLER ASS'Y | 13- 12 | 1 | 1 | |
| 124060-66560 | SPRING BODY, | 13- 13 | 1 | 1 | |
| 124060-66570 | PIN, fuel injection control | 13- 16 | 1 | 1 | |
| 124060-66571 | PIN, fuel injection control | 13- 16 | 1 | 1 | |
| 124060-66580 | SPRING, fuel injection control | 13- 14 | 1 | 1 | |
| 124060-66590 | WASHER, fuel injection control | 13- 15 | 1 | 1 | |
| 124060-66950 | CAP NUT M10 | 13- 12 | 1 | 1 | |
| 124060-77010 | MOTOR (1.0kW), starting | 14- 1 | 1 | 1 | |
| 124060-77010 | STARTING MOTOR (S144-203) | 15- | 1 | 1 | |
| 124060-77011 | MOTOR (1.2kW), starting | 14- 1 | 1 | 1 | |
| 124060-77011 | STARTING MOTOR (S114-219) | 15- | 1 | 1 | |
| 124060-77110 | FITTINGS, charging generator | 14- 6 | 1 | 1 | |
| 124060-77151 | BRACKET, generator | 14- 8 | 1 | 1 | |
| 124060-77170 | PACKING, bracket | 14- 9 | 1 | 1 | |
| 124060-77170 | PACKING, bracket | 104-27 | 1 | 1 | |
| 124060-77171 | PACKING, bracket | 14- 9 | 1 | 1 | |
| 124060-77171 | PACKING, bracket | 104-27 | 1 | 1 | |
| 124060-77300 | SWITCH, magnet | 14- 2 | 1 | 1 | |
| 124060-77680 | CLAMP, fuel oil pipe | 17- 8 | 2 | 2 | |
| 124060-77700 | PIPE, fuel oil | 17- 5 | 1 | 1 | |
| 124060-77802 | TANK ASS'Y, header | 17- 2 | 1 | 1 | |
| 124060-77811 | SET PIECE(A), header tank | 17- 3 | 1 | 1 | |
| 124064-02130 | MAIN BEARING (0.25 US) | 6- 13 | 2 | 2 | |
| 124064-07150 | LABEL, draining engine coolant | 3- 54 | 1 | 1 | |
| 124064-12030 | PACKING, bracket | 4A-25 | 1 | 1 | |
| 124064-12400 | PRE-CLEANER ASS'Y 115h | 4A- 8 | 1 | 1 | |
| 124064-12420 | TUBE 124d | 4A-10 | 1 | 1 | |
| 124064-12430 | GASKET, tube | 4A-11 | 2 | 2 | |
| 124064-12440 | CASE w/GASKET | 4A-12 | 1 | 1 | |
| 124064-12440 | COVER (UPPER) w/GASKET | 4A-13 | 1 | 1 | |
| 124064-12450 | CLAMP, pre-cleaner | 4A-16 | 1 | 1 | |
| 124064-12460 | BOLT, clamp | 4A-17 | 1 | 1 | |

NUMERICAL PART NO. LIST

| Part No. | Description | Refer. No. | Q'ty/Unit | | Remarks |
|--------------|-------------------------------|------------|-----------|-------|---------|
| | | | 2TR13A | 2T73A | |
| 124064-12500 | CLEANER ASS'Y, air | 4A- 1 | 1 | 1 | |
| 124064-12510 | ELEMENT | 4A- 5 | 1 | 1 | |
| 124064-12510 | ELEMENT, air cleaner | 103- 2 | 1 | 1 | |
| 124064-12570 | SEAT(A), brace | 4A-23 | 2 | 2 | |
| 124064-12580 | SEAT(B), brace | 4A-24 | 1 | 1 | |
| 124064-12600 | LABEL, cleaner caution | 4- 5 | 1 | 1 | |
| 124064-12660 | PAN, dust | 4A- 3 | 1 | 1 | |
| 124064-12670 | BAFFLE | 4A- 4 | 1 | 1 | |
| 124064-12680 | BOLT, wing | 4A- 6 | 1 | 1 | |
| 124064-12690 | WASHER, seal | 4A- 7 | 1 | 1 | |
| 124064-23350 | CRANK PIN BEARING (0.25US) | 7- 11 | 2 | 2 | |
| 124064-26020 | PUMP ASS'Y, hydraulic oil | 2- 33 | 1 | 1 | |
| 124064-42290 | V-BELT (A-28 inch) | 103- 7 | 1 | 1 | |
| 124064-44290 | V-BELT (A-28 inch) | 9- 3 | 1 | 1 | |
| 124064-44500 | RADIATOR | 9- 9 | 1 | 1 | |
| 124064-44660 | COVER(A), air cleaner side | 9- 18 | 1 | 1 | |
| 124064-44670 | COVER(B), exhaust silencer | 9- 19 | 1 | 1 | |
| 124064-44690 | BRACKET(A), cover (A) | 9- 21 | 1 | 1 | |
| 124064-44910 | LABEL, radiator caution | 9- 14 | 1 | 1 | |
| 124064-51920 | LABEL, fuel injection pump | 10- 22 | 1 | | |
| 124064-55510 | BOWL, fuel strainer | 12- 10 | 1 | 1 | |
| 124064-66890 | LOCK NUT | 13- 17 | 1 | 1 | |
| 124064-77200 | GENERATOR (8A), charging | 14- 4 | 1 | 1 | |
| 124064-77200 | GENERATOR | 16- | 1 | 1 | |
| 124064-77710 | LIMITER, current | 14- 5 | 1 | 1 | |
| 124064012550 | BRACE(A), cleaner | 4A-21 | 1 | 1 | |
| 124064012560 | BRACE(B), cleaner | 4A-22 | 1 | 1 | |
| 124067-12050 | PACKING, air cleaner | 4A-19 | 1 | 1 | |
| 124067-12060 | PACKING, cleaner bracket | 4A-20 | 1 | 1 | |
| 124067-12100 | BRACKET, air cleaner | 4A-18 | 1 | 1 | |
| 124085-35300 | VALVE ASS'Y, pressure control | 8- 12 | 1 | 1 | |
| 124085-35350 | LOCK NUT | 8- 17 | 1 | 1 | |
| 124160-01210 | STUD(B), cylindr head | 1- 5 | 1 | 1 | |
| 124160-01750 | CAP, oil feed | 3- 49 | 1 | 1 | |
| 124160-01751 | CAP, oil feed | 3- 49 | 1 | 1 | |
| 124160-11340 | SEAL, valve stem | 3- 12 | 4 | 4 | |
| 124160-11360 | CAP, bonnet | 3- 52 | 2 | 2 | |
| 124160-13570 | PIPE, 2nd silencer | 4- 15 | 1 | | |
| 124160-21500 | BOLT, flywheel fitting | 6- 20 | 5 | 5 | |
| 124160-21501 | BOLT | 6- 20 | 5 | 5 | |
| 124160-44580 | SCREEN, radiator | 9- 12 | 1 | 1 | |
| 124160-49480 | JOINT, cooling water | 9- 6 | 2 | 2 | |
| 124160-59080 | PIPE, fuel oil | 12- 22 | 1 | 1 | |
| 124160-59500 | PIPE, fuel return | 12- 30 | 1 | 1 | |
| 124160-77020 | COVER, terminal to starter | 14- 3 | 1 | 1 | |

NUMERICAL PART NO. LIST

| Part No. | Description | Refer. No. | Q'ty/Unit | | Remarks |
|--------------|----------------------------|------------|-----------|-------|---------|
| | | | 2TR13A | 2T73A | |
| 124160-77701 | PIPE, fuel oil | 17- 5 | 1 | 1 | |
| 124220-51890 | RIVET | 10- 23 | 2 | 2 | |
| 124230-51100 | PLUNGER & BARREL | 10- 2 | | 2 | |
| 124240-66371 | LOCK NUT, adjusting bolt | 13- 26 | 1 | 1 | |
| 124250-11681 | PACKING, side cover | 104-12 | 1 | 1 | |
| 124250-11811 | CAP, bonnet | 3- 52 | 2 | | |
| 124250-59260 | JOINT, swivel pipe | 12- 23 | 1 | 1 | |
| 124250-91400 | GEAR UNIT | 2- 41 | 1 | | |
| 124250-91411 | PACKING, gear unit | 2- 42 | 1 | 1 | |
| 124250-91411 | PACKING, gear unit | 104-11 | 1 | 1 | |
| 124250-91412 | PACKING, gear unit | 2- 42 | 1 | 1 | |
| 124250-91412 | PACKING, gear unit | 104-11 | 1 | 1 | |
| 124450-01800 | OIL SEAL | 2- 24 | 1 | 1 | |
| 124450-11320 | PLUG | 3- 13 | (1) | 1 | |
| 124450-11671 | COVER, flywheel side | 3- 23 | 1 | | |
| 124450-11671 | COVER, flywheel side | 3- 23 | | 1 | |
| 124450-11681 | PACKING | 3- 24 | 1 | 1 | |
| 124450-11900 | GASKET, silencer | 4- 13 | 2 | 1 | |
| 124450-11900 | GASKET, silencer | 4- 13 | 1 | | |
| 124450-11900 | GASKET, silencer | 104-16 | 2 | 1 | |
| 124450-11900 | GASKET, silencer | 104-16 | 1 | 1 | |
| 124450-12570 | WASHER | 4- 4 | 1 | 1 | |
| 124450-12571 | WASHER | 4- 4 | 1 | 1 | |
| 124450-12571 | WASHER, seal | 4A-15 | 1 | 1 | |
| 124450-21230 | BUSH, pilot | 6- 2 | 1 | 1 | |
| 124450-35070 | LOCK NUT PFI/4 | 8- 19 | 1 | 1 | |
| 124450-35100 | STRAINER, lub. oil | 8- 11 | 1 | 1 | |
| 124450-35100 | STRAINER, lub. oil | 103- 4 | 1 | 1 | |
| 124450-35110 | O-RING, lub. oil strainer | 8- 24 | 1 | 1 | |
| 124450-35110 | O-RING, lub. oil strainer | 103- 5 | 1 | 1 | |
| 124450-35110 | O-RING, strainer | 104-20 | 1 | 1 | |
| 124450-35301 | VALVE ASS'Y | 8- 12 | 1 | 1 | |
| 124450-35320 | SPRING, pressure adjusting | 8- 14 | 1 | 1 | |
| 124450-35330 | SPRING SHOE, pressure | 8- 15 | 1 | 1 | |
| 124450-35350 | LOCK NUT | 8- 17 | 1 | 1 | |
| 124450-39140 | BOLT, pipe joint | 8- 21 | 2 | 2 | |
| 124450-44740 | PAN | 9- 1 | 1 | 1 | |
| 124450-44901 | SENDER, temperature | 9- 4 | 1 | 1 | |
| 124450-44902 | SENDER, temperature | 9- 4 | 1 | 1 | |
| 124450-44902 | SENDER, temperature | 103- 8 | 1 | 1 | |
| 124450-77910 | PLUG, thermostart | 17- 1 | 1 | 1 | |
| 124460-59050 | CLAMP, pump side | 12- 24 | 1 | 1 | |
| 124460-59060 | CLAMP, strainer side | 12- 25 | 1 | 1 | |
| 124460-77660 | CONNECTOR | 17- 7 | 1 | 1 | |
| 124460-77820 | SET PIECE(B), header tank | 17- 4 | 1 | 1 | |

NUMERICAL PART NO. LIST

NUMERICAL PART NO. LIST

| Part No. | Description | Refer. No. | Q 17/Umt | | Remarks |
|--------------|------------------------------|------------|----------|-------|---------|
| | | | 21713A | 2173A | |
| 124460-77820 | JOINT, fuel oil pipe | 17- 6 | 1 | 1 | |
| 124465-44950 | PACKING 16, copper | 9- 5 | 1 | 1 | |
| 124465-44950 | PACKING 16 | 104-33 | 1 | 1 | |
| 124550-44690 | COCK w/PACKING | 9- 32 | 1 | 1 | |
| 124550-51200 | GUIDE, plunger | 10- 6 | 2 | 2 | |
| 124550-51300 | SPRING, delivery valve | 10- 11 | 2 | 2 | |
| 124550-51340 | HOLDER, delivery valve | 10- 12 | 2 | 2 | |
| 124550-51350 | PACKING, delivery valve seat | 10- 25 | 2 | 2 | |
| 124550-51350 | PACKING, delivery valve | 104-23 | 2 | 2 | |
| 124550-51370 | O-RING | 10- 24 | 2 | 2 | |
| 124550-51370 | O-RING, holder | 104-22 | 2 | 2 | |
| 124550-51950 | SHIM, f.i. pump | 2- 25 | 1 | 1 | |
| 124550-51951 | SHIM, f.i. pump | 2- 25 | 1 | 1 | |
| 124600-13520 | PIPE, silencer | 4- 15 | 1 | 1 | |
| 124660-01330 | GASKET, cylinder head | 1- 35 | 1 | 1 | |
| 124660-01330 | GASKET, cyl. head | 104- 6 | 1 | 1 | |
| 124660-11410 | CHAMBER (REAR) | 3- 30 | 2 | 2 | |
| 124660-11670 | PLATE, shelter | 3- 56 | 1 | 1 | |
| 124660-11680 | PLATE, shelter | 3- 56 | 1 | 1 | |
| 124660-13520 | PIPE, silencer | 17- 11 | 1 | 1 | |
| 124660-13530 | CLAMP | 4- 16 | 1 | 1 | |
| 124660-13530 | CLAMP | 17- 12 | 1 | 1 | |
| 124660-13540 | COVER, silencer | 4- 21 | 1 | 1 | |
| 124660-13540 | COVER, silencer | 4- 21 | 1 | 1 | |
| 124660-13540 | COVER, silencer | 17- 16 | 1 | 1 | |
| 124660-34800 | DIPSTICK | 1- 28 | 1 | 1 | |
| 124660-77710 | LIMITER (14.5V), current | 14- 5 | 1 | 1 | |
| 124660-77900 | GENERATOR | 16- | 1 | 1 | |
| 124660-77990 | GENERATOR (8.5A), charging | 14- 4 | 1 | 1 | |
| 124664-13520 | PIPE, silencer | 17- 11 | 1 | 1 | |
| 124664-13540 | COVER, silencer | 4- 21 | 1 | 1 | |
| 124664-13580 | CLAMP | 4- 16 | 1 | 1 | |
| 124664-13580 | CLAMP | 17- 12 | 1 | 1 | |
| 124664-51920 | LABEL, fuel injection pump | 10- 22 | 1 | 1 | |
| 124701-11910 | GASKET, silencer | 4- 13 | 1 | 1 | |
| 124701-11910 | GASKET, silencer | 104-16 | 1 | 1 | |
| 124732-35090 | PIPE, lub. oil intake | 8- 18 | 1 | 1 | |
| 124750-44740 | FAN | 9- 1 | 1 | 1 | |
| 124756-01550 | CONNECTOR, tachometer | 2- 41 | 1 | 1 | |
| 124756-44590 | CAP, radiator | 9- 11 | 1 | 1 | |
| 124764-44920 | LABEL, anti-freezing caution | 9- 13 | 1 | 1 | |
| 124766-59050 | CLAMP, pump side | 12- 24 | 1 | 1 | |
| 124766-59050 | CLAMP, strainer side | 12- 25 | 1 | 1 | |
| 124770-53000 | VALVE w/CASE | 11- 2 | 2 | 2 | |
| 124770-53000 | VALVE w/CASE | 103- 9 | 2 | 2 | |

| Part No. | Description | Refer. No. | Q 17/Umt | | Remarks |
|--------------|--------------------------------|------------|----------|-------|---------|
| | | | 21713A | 2173A | |
| 128272-11170 | VALVE GUIDE, exhaust | 3- 8 | 2 | 2 | |
| 135210-61090 | LEAD, sealing | 13- 30 | 2 | 2 | |
| 171051-01920 | PLUG NPTF1 | 1- 36 | 1 | 1 | |
| 172100-22400 | CIRCLIP, piston pin | 7- 7 | 4 | 4 | |
| 172100-53200 | PACKING, valve spring retainer | 11- 10 | 2 | 2 | |
| 172100-53200 | PACKING, retainer | 104-24 | 2 | 2 | |
| 172200-61220 | PIN, (Caulking type) 6d-26.5L | 13- 2 | 2 | 2 | |
| 174100-54120 | PIN, plunger guide roller | 10- 9 | 2 | 2 | |
| 174307-51170 | RETAINER, plunger spring | 10- 3 | 2 | 2 | |
| 174307-51180 | RETAINER, plunger spring | 10- 4 | 2 | 2 | |
| 174307-51181 | RETAINER, plunger spring | 10- 4 | 2 | 2 | |
| 174307-51190 | SPRING, plunger | 10- 5 | 2 | 2 | |
| 174307-51250 | PIN, plunger barrel stopping | 10- 13 | 2 | 2 | |
| 174307-51270 | PACKING, plunger barrel | 104-21 | 2 | 2 | |
| 174307-51410 | PINION(A) | 10- 18 | 1 | 1 | |
| 174307-51450 | PACKING, plunger barrel | 10- 14 | 2 | 2 | |
| 174307-51450 | STOPPER, plunger guide | 10- 15 | 2 | 2 | |
| 174307-51460 | PIN, lock screw | 10- 16 | 2 | 2 | |
| 174307-51550 | SLEEVE, fuel control pinion(B) | 10- 19 | 1 | 1 | |
| 174307-51560 | PINION(B), | 10- 20 | 1 | 1 | |
| 174307-51700 | SHIM, plunger position | 10- 26 | 2 | 2 | |

NUMERICAL PART NO. LIST

| Part No. | Description | Refer. No. | Q ty/Unit | | Remarks |
|--------------|------------------|------------|-----------|-------|---------|
| | | | 2TR13A | 2T73A | |
| | | | | | |
| 22117-060000 | WASHER 6 | 2- | 3 | 3 | |
| 22137-040000 | WASHER 4 | 16- 18 | 3 | 3 | |
| 22137-060000 | WASHER 6 | 4- 25 | | 6 | |
| 22137-060000 | WASHER 6 | 4- 25 | 6 | | |
| 22137-060000 | WASHER 6 | 9- 28 | 6 | 5 | |
| 22137-060000 | WASHER 6 | 9- 28 | 5 | 5 | |
| 22137-060000 | WASHER 6 | 17- 18 | 6 | | |
| 22137-080000 | WASHER 8 | 1- 18 | 12 | 12 | |
| 22137-080000 | WASHER 8 | 2- 20 | 10 | 10 | |
| 22137-080000 | WASHER 8 | 2- 38 | 4 | 4 | |
| 22137-080000 | WASHER 8 | 4- 9 | 1 | 1 | |
| 22137-080000 | WASHER 8 | 9- 29 | 1 | 1 | |
| 22137-080000 | WASHER 8 | 9- 34 | 1 | | |
| 22137-080000 | WASHER 8 | 12- 15 | 1 | 1 | |
| 22137-080000 | WASHER 8 | 14- 13 | 2 | 2 | |
| 22212-060000 | SPRING WASHER 6 | 9- 30 | 6 | 5 | |
| 22212-080000 | SPRING WASHER 8 | 3- 22 | 4 | 4 | |
| 22217-040000 | SPRING WASHER 4 | 13- 18 | 2 | 2 | |
| 22217-040000 | SPRING WASHER 4 | 16- 13 | 2 | 2 | |
| 22217-040000 | SPRING WASHER 4 | 16- 19 | 4 | 4 | |
| 22217-060000 | SPRING WASHER 6 | 1- 32 | 2 | 2 | |
| 22217-060000 | SPRING WASHER 6 | 4- 27 | | 6 | |
| 22217-060000 | SPRING WASHER 6 | 4- 27 | 6 | | |
| 22217-060000 | SPRING WASHER 6 | 9- 30 | 5 | 5 | |
| 22217-060000 | SPRING WASHER 6 | 9- 30 | 5 | 5 | |
| 22217-060000 | SPRING WASHER 6 | 17- 19 | 6 | | |
| 22217-080000 | SPRING WASHER 8 | 6- 17 | 6 | 6 | |
| 22217-080000 | SPRING WASHER 8 | 1- 19 | 9 | 9 | |
| 22217-080000 | SPRING WASHER 8 | 2- 4 | 3 | 3 | |
| 22217-080000 | SPRING WASHER 8 | 2- 39 | 4 | 4 | |
| 22217-080000 | SPRING WASHER 8 | 2- 48 | 4 | 4 | |
| 22217-080000 | SPRING WASHER 8 | 3- 22 | 8 | 8 | |
| 22217-080000 | SPRING WASHER 8 | 3- 22 | | 4 | |
| 22217-080000 | SPRING WASHER 8 | 3- 57 | | 2 | |
| 22217-080000 | SPRING WASHER 8 | 4- 19 | 1 | 1 | |
| 22217-080000 | SPRING WASHER 8 | 4- 24 | 4 | | |
| 22217-080000 | SPRING WASHER 8 | 4A-29 | 8 | 8 | |
| 22217-080000 | SPRING WASHER 8 | 9- 31 | 1 | 1 | |
| 22217-080000 | SPRING WASHER 8 | 12- 14 | 1 | 1 | |
| 22217-080000 | SPRING WASHER 8 | 13- 35 | 1 | 1 | |
| 22217-080000 | SPRING WASHER 8 | 14- 12 | 7 | 7 | |
| 22217-080000 | SPRING WASHER 8 | 17- 15 | 1 | | |
| 22217-080000 | SPRING WASHER 8 | 17- 22 | 4 | | |
| 22217-100000 | SPRING WASHER 10 | 1- 26 | 2 | 2 | |
| 22217-100000 | SPRING WASHER 10 | 4- 19 | 1 | 1 | |

— 6 —

NUMERICAL PART NO. LIST

| Part No. | Description | Refer. No. | Q ty/Unit | | Remarks |
|--------------|---------------------|------------|-----------|-------|---------|
| | | | 2TR13A | 2T73A | |
| | | | | | |
| 22217-100000 | SPRING WASHER 10 | 4- 19 | 1 | | |
| 22217-100000 | SPRING WASHER 10 | 6- 24 | 3 | 3 | |
| 22217-100000 | SPRING WASHER 10 | 17- 15 | 1 | | |
| 22217-120000 | SPRING WASHER 12 | 6- 9 | 1 | 1 | |
| 22252-000100 | CIRCLIP 10 | 8- 16 | 1 | 1 | |
| 22312-030180 | PARALLEL PIN 3 x 18 | 3- 47 | 2 | 2 | |
| 22312-080120 | PARALLEL PIN 8 x 22 | 1- 9 | 1 | 1 | |
| 22312-080220 | PARALLEL PIN 8 x 22 | 1- 11 | 1 | 1 | |
| 22322-03-160 | TAPER PIN 3 x 16 | 3- 48 | 2 | 2 | |
| 22322-030160 | TAPER PIN 3 x 16 | 13- 28 | 2 | 2 | |
| 22322-030160 | TAPER PIN 3 x 16 | 13- 28 | 1 | 1 | |
| 22322-030180 | TAPER PIN 3 x 18 | 13- 27 | 1 | 1 | |
| 22351-040008 | SPRING PIN 4AW x 8 | 2- 10 | 1 | 1 | |
| 22351-040008 | SPRING PIN 4AW x 8 | 2- 23 | 1 | 1 | |
| 22351-040012 | SPRING PIN 4AW x 12 | 4- 30 | 1 | 1 | |
| 22351-060012 | SPRING PIN 6AW x 12 | 3- 55 | 2 | 2 | |
| 22351-060016 | SPRING PIN 6AW x 16 | 1- 27 | 2 | 2 | |
| 22351-080014 | SPRING PIN 8 x 14 | 1- 8 | 2 | 2 | |
| 22354-040008 | SPRING PIN 4BV x 8 | 2- 23 | 1 | 1 | |
| 22312-080160 | PARALLEL PIN 8 x 16 | 6- 3 | 1 | 1 | |
| 22411-200100 | COTTER PIN 2 x 10 | 3- 46 | 2 | 2 | |
| 22417-200200 | COTTER PIN 2 x 20 | 3- 46 | 2 | 2 | |
| 22417-200200 | COTTER PIN 2 x 20 | 13- 3 | 4 | 4 | |
| 22451-060000 | WIRE 0.6 | 13- 31 | 1 | 1 | |
| 22451-060000 | WIRE 0.6 | 13- 36 | 1 | 1 | |
| 22451-100000 | WIRE 1.0 | 13- 36 | 1 | 1 | |
| 22512-070282 | KEY 7 x 28 | 6- 4 | 1 | 1 | |
| 22512-070330 | KEY 7 x 30 | 6- 4 | 1 | 1 | |
| 22522-040130 | KEY 4 x 13 | 2- 40 | 1 | 1 | |
| 22522-050190 | KEY 5 x 19 | 5- 6 | 3 | 3 | |
| 22624-230030 | RIVET 2.3 x 3 | 10- 23 | 2 | 2 | |
| 23010-038000 | CLAMP 38 | 9- 8 | 4 | 4 | |
| 23010-050000 | CLAMP 50 | 4- 11 | 1 | 1 | |
| 23065-090150 | PIPE 9d-150L | 2- 15 | 1 | 1 | |
| 23065-140150 | PIPE 14d-150L | 2- 15 | 1 | 1 | |
| 23414-060000 | PACKING 6 | | 3 | 3 | |
| 23414-080000 | PACKING 8 | 3- 15 | 1 | 1 | |
| 23414-080000 | PACKING 8 | 3- 53 | 2 | 2 | |
| 23414-080000 | PACKING 8 | 8- 6 | 2 | 2 | |
| 23414-080000 | PACKING 8 | 104-31 | 7 | 7 | |
| 23414-080012 | PACKING 8 | 12- 32 | 4 | 4 | |
| 23414-120000 | PACKING 12 | 8- 22 | 4 | 4 | |
| 23414-120000 | PACKING 12 | 1- 3 | 1 | 1 | |
| 23414-120000 | PACKING 12 | 104-32 | 7 | 5 | |
| 23414-160000 | PACKING 16 | 9- 5 | 1 | 1 | |

NUMERICAL PART NO. LIST

NUMERICAL PART NO. LIST

| Part No. | Description | Refer. No. | Qty/Unit | | Remarks |
|--------------|---------------------|------------|----------|-------|---------|
| | | | 2T13A | 2T73A | |
| 23414-160000 | PACKING 16 | 104-33 | 1 | 1 | |
| 234140-80000 | PACKING 8 | 12- 32 | 4 | 4 | |
| 23418-060000 | PACKING 6 | 12- 3 | 2 | 2 | |
| 23873-020000 | PLUG PT1/4 | 3- 19 | 2 | 2 | |
| 23873-040000 | PLUG PT1/2 | 3- 4 | 1 | 1 | |
| 23893-020002 | PLUG PF1/4 | 1- 2 | 1 | 1 | |
| 24101-062054 | BALL BEARING | 5- 7 | 1 | 1 | |
| 24107-062034 | BALL BEARING 6203ZZ | 2- 28 | 2 | 2 | |
| 24190-090001 | STEEL BALL 9/32 | 13- 10 | 1 | 1 | |
| 24190-100001 | STEEL BALL 5/16 | 8- 13 | 1 | 1 | |
| 24311-000050 | O-RING 5-P | 13- 29 | 2 | 2 | |
| 24311-000050 | O-RING 5-P | 104-34 | 2 | 2 | |
| 24311-000070 | O-RING 7-P | 3- 45 | 2 | 2 | |
| 24311-000070 | O-RING 7-P | 104-35 | 2 | 2 | |
| 24311-000120 | O-RING 12-P | 3- 53 | 2 | 2 | |
| 24311-000120 | O-RING 12-P | 104-36 | 2 | 2 | |
| 24311-000140 | O-RING 14-P | 1- 15 | 1 | 1 | |
| 24311-000140 | O-RING 14-P | 104-37 | 1 | 1 | |
| 24311-000320 | O-RING 32-P | 3- 50 | 1 | 1 | |
| 24311-000350 | O-RING 35-P | 104-39 | 1 | 1 | |
| 24311-240100 | O-RING P10A | 12- 7 | 1 | 1 | |
| 24311-240100 | O-RING P10A | 104-38 | 1 | 1 | |
| 24321-000350 | O-RING 35-G | 3- 50 | 1 | 1 | |
| 24321-000350 | O-RING 35-G | 104-39 | 1 | 1 | |
| 26013-080222 | BOLT M8 x 22 | 6- 16 | 6 | 6 | |
| 26014-060102 | BOLT M6 x 10 | 9- 24 | 3 | 3 | |
| 26014-060122 | BOLT M6 x 12 | 9- 26 | 1 | 1 | |
| 26014-080122 | BOLT M8 x 12 | 9- 33 | 1 | 1 | |
| 26106-060102 | BOLT M6 x 10 | 1- 31 | 2 | 2 | |
| 26106-060102 | BOLT M6 x 10 | 4- 23 | | 6 | |
| 26106-060102 | BOLT M6 x 10 | 9- 2 | 4 | 4 | |
| 26106-060102 | BOLT M6 x 10 | 13- 7 | 2 | 2 | |
| 26106-060142 | BOLT M6 x 14 | 2- 43 | 2 | 2 | |
| 26106-060142 | BOLT M6 x 14 | 2- 45 | 1 | | |
| 26106-060162 | BOLT M6 x 16 | 14- 7 | 4 | 4 | |
| 26106-060302 | BOLT M6 x 30 | 2- 44 | 1 | | |
| 26106-080102 | BOLT M8 x 10 | 3- 14 | 1 | 1 | |
| 26106-080122 | BOLT M8 x 12 | 3- 25 | 4 | 4 | |
| 26106-080122 | BOLT M8 x 12 | 4- 7 | 2 | 2 | |
| 26106-080122 | BOLT M8 x 12 | 14- 10 | 1 | 1 | |
| 26106-080142 | BOLT M8 x 14 | 1- 22 | 7 | 7 | |
| 26106-080142 | BOLT M8 x 14 | 1- 39 | 12 | 12 | |
| 26106-080142 | BOLT M8 x 14 | 4- 31 | 1 | 1 | |
| 26106-080162 | BOLT M8 x 16 | 14- 11 | 4 | 4 | |
| 26106-080202 | BOLT M8 x 20 | 14- 14 | 2 | 2 | |

| Part No. | Description | Refer. No. | Qty/Unit | | Remarks |
|--------------|---------------|------------|----------|-------|---------|
| | | | 2T13A | 2T73A | |
| 26106-080222 | BOLT M8 x 22 | 2- 17 | 3 | 3 | |
| 26106-080252 | BOLT M8 x 25 | 2- 50 | 2 | 2 | |
| 26106-080552 | BOLT M8 x 55 | 2- 18 | 4 | 4 | |
| 26106-080602 | BOLT M8 x 60 | 4- 17 | | 1 | |
| 26106-080602 | BOLT M8 x 60 | 12- 13 | 1 | 1 | |
| 26106-081052 | BOLT M8 x105 | 2- 19 | 4 | 4 | |
| 26106-100252 | BOLT M10 x 25 | 6- 23 | 3 | 3 | |
| 26106-100652 | BOLT M10 x 65 | 4- 17 | 1 | | |
| 26116-040102 | BOLT M4 x 10 | 13- 19 | 2 | 2 | |
| 26116-060082 | BOLT M6 x 8 | 3- 39 | 4 | 4 | |
| 26116-060102 | BOLT M6 x 10 | 4- 23 | | 6 | |
| 26116-060102 | BOLT M6 x 10 | 4- 23 | 5 | | |
| 26116-060102 | BOLT M6 x 10 | 9- 2 | 4 | 4 | |
| 26116-060102 | BOLT M6 x 10 | 9- 24 | 3 | 3 | |
| 26116-060102 | BOLT M6 x 10 | 17- 17 | 6 | | |
| 26116-060109 | BOLT M6 x 10 | 13- 7 | 2 | 2 | |
| 26116-060122 | BOLT M6 x 12 | 1- 31 | 2 | 2 | |
| 26116-060122 | BOLT M6 x 12 | 2- 43 | 2 | | |
| 26116-060122 | BOLT M6 x 12 | 9- 26 | 3 | 2 | |
| 26116-060122 | BOLT M6 x 12 | 9- 26 | 2 | 2 | |
| 26116-060122 | BOLT M6 x 12 | 14- 7 | 4 | 4 | |
| 26116-060162 | BOLT M6 x 16 | 2- 43 | | 3 | |
| 26116-060162 | BOLT M6 x 16 | 2- 43 | 2 | 2 | |
| 26116-060166 | BOLT M6 x 16 | 2- 45 | | 1 | |
| 26116-060306 | BOLT M6 x 30 | 2- 44 | 1 | | |
| 26116-060322 | BOLT M6 x 32 | 15- 27 | 2 | 2 | |
| 26116-060326 | BOLT M6 x 32 | 2- 44 | 1 | | |
| 26116-080122 | BOLT M8 x 12 | 3- 25 | 4 | | |
| 26116-080122 | BOLT M8 x 12 | 4- 7 | 3 | 3 | |
| 26116-080122 | BOLT M8 x 12 | 9- 33 | 1 | 1 | |
| 26116-080142 | BOLT M8 x 14 | 1- 22 | 7 | 7 | |
| 26116-080142 | BOLT M8 x 14 | 3- 25 | 4 | 4 | |
| 26116-080142 | BOLT M8 x 14 | 9- 25 | 2 | 2 | |
| 26116-080142 | BOLT M8 x 14 | 14- 11 | 4 | 4 | |
| 26116-080162 | BOLT M8 x 16 | 1- 17 | 9 | 9 | |
| 26116-080162 | BOLT M8 x 16 | 14- 11 | 4 | 4 | |
| 26116-080162 | BOLT M8 x 16 | 1- 17 | 21 | 21 | |
| 26116-080169 | BOLT M8 x 16 | 14- 10 | 1 | 1 | |
| 26116-080202 | BOLT M8 x 20 | 2- 35 | 4 | 4 | |
| 26116-080222 | BOLT M8 x 22 | 4- 22 | 4 | | |
| 26116-080222 | BOLT M8 x 22 | 4- 22 | 4 | | |
| 26116-080222 | BOLT M8 x 22 | 4A-27 | 6 | 6 | |
| 26116-080222 | BOLT M8 x 22 | 6- 16 | 6 | 6 | |
| 26116-080252 | BOLT M8 x 25 | 2- 17 | 5 | 5 | |
| 26116-080252 | BOLT M8 x 25 | 4- 20 | 1 | | |

NUMERICAL PART NO. LIST

| Part No. | Description | Refer. No. | Qty/Unit | | Remarks |
|--------------|---------------|------------|----------|-------|---------|
| | | | 2TR13A | 2T73A | |
| 26116-080252 | BOLT M8 x 25 | 14- 14 | 2 | 2 | |
| 26116-080552 | BOLT M8 x 55 | 2- 18 | 4 | 4 | |
| 26116-080602 | BOLT M8 x 60 | 4- 17 | 1 | 1 | |
| 26116-080602 | BOLT M8 x 60 | 17- 13 | 1 | 1 | |
| 26116-080702 | BOLT M8 x 70 | 12- 13 | 1 | 1 | |
| 26116-081052 | BOLT M8 x105 | 2- 19 | 5 | 5 | |
| 26116-100252 | BOLT M10 x 25 | 6- 23 | 3 | 3 | |
| 26116-100502 | BOLT M10 x 50 | 4- 17 | 1 | 1 | |
| 26116-100502 | BOLT M10 x 50 | 4- 17 | 1 | 1 | |
| 26116-100502 | BOLT M10 x 50 | 17- 13 | 1 | 1 | |
| 26116-100652 | BOLT M10 x 65 | 4- 17 | 1 | 1 | |
| 26117-060122 | BOLT M6 x 12 | 14- 7 | 4 | 4 | |
| 26117-080142 | BOLT M8 x 14 | 14- 11 | 4 | 4 | |
| 26117-080222 | BOLT M8 x 22 | 4- 22 | 3 | 3 | |
| 26117-080252 | BOLT M8 x 25 | 14- 14 | 2 | 2 | |
| 26156-120252 | BOLT M12 x 25 | 6- 8 | 1 | 1 | |
| 26216-080002 | STUD M8 x 70 | 3- 16 | 4 | 4 | |
| 26216-080162 | STUD M8 x 16 | 3- 18 | 2 | 2 | |
| 26216-080202 | STUD M8 x 20 | 17- 20 | 4 | 4 | |
| 26216-080222 | STUD M8 x 22 | 2- 36 | 4 | 4 | |
| 26216-080222 | STUD M8 x 80 | 3- 20 | 4 | 4 | |
| 26216-080222 | STUD M8 x 22 | 4A-26 | 2 | 2 | |
| 26216-080802 | STUD M8 x 22 | 3- 20 | 4 | 4 | |
| 26226-080222 | STUD M8 x 22 | 2- 2 | 2 | 2 | |
| 26212-080222 | STUD M8 x 22 | 3- 20 | 4 | 4 | |
| 26366-080002 | NUT M8 | 2- 3 | 2 | 2 | |
| 26366-080002 | NUT M8 | 2- 49 | 4 | 4 | |
| 26366-080002 | NUT M8 | 3- 21 | 4 | 4 | |
| 26366-080002 | NUT M8 | 4- 8 | 1 | 1 | |
| 26366-080002 | NUT M8 | 4- 18 | 1 | 1 | |
| 26450-080252 | BOLT M8 x 25 | 8- 9 | 2 | 2 | |
| 26487-080102 | SCREW M8 x 10 | 5- 8 | 1 | 1 | |
| 26557-040082 | SCREW M4 x 8 | 16- 17 | 2 | 2 | |
| 26557-040122 | SCREW M4 x 12 | 15- 26 | 2 | 2 | |
| 26557-040152 | SCREW M4 x 15 | 16- 16 | 2 | 2 | |
| 26557-040202 | SCREW M4 x 20 | 16- 12 | 2 | 2 | |
| 26557-060082 | SCREW M6 x 8 | 17- 9 | 2 | 2 | |
| 26557-060102 | SCREW M6 x 10 | 2- 13 | 4 | 4 | |
| 26557-060122 | SCREW M6 x 12 | 12- 20 | 1 | 1 | |
| 26557-080122 | SCREW M8 x 12 | 2- 22 | 1 | 1 | |
| 26557-080122 | SCREW M8 x 12 | 4- 7 | 3 | 3 | |
| 26557-080182 | SCREW M8 x 18 | 2- 22 | 1 | 1 | |
| 26587-060102 | SCREW M6 x 10 | 8- 7 | 3 | 3 | |
| 26587-080082 | SCREW M5 x 8 | 2- 31 | 2 | 2 | |
| 26587-080102 | SCREW M8 x 10 | 3- 14 | 1 | 1 | |

NUMERICAL PART NO. LIST

| Part No. | Description | Refer. No. | Qty/Unit | | Remarks |
|--------------|---------------|------------|----------|-------|---------|
| | | | 2TR13A | 2T73A | |
| 26602-100002 | NUT M10 | 3- 6 | 2 | 2 | |
| 26657-080002 | CAP NUT M8 | 3- 21 | 4 | 4 | |
| 26667-100002 | CAP NUT M10 | 13- 12 | 1 | 1 | |
| 26706-100002 | NUT M10 | 4- 18 | 1 | 1 | |
| 26714-080002 | NUT M8 | 4A-28 | 4 | 4 | |
| 26716-060002 | NUT M6 | 12- 19 | 1 | 1 | |
| 26716-080002 | NUT M8 | 2- 3 | 2 | 2 | |
| 26716-080002 | NUT M8 | 2- 37 | 4 | 4 | |
| 26716-080002 | NUT M8 | 2- 49 | 4 | 4 | |
| 26716-080002 | NUT M8 | 3- 17 | 4 | 4 | |
| 26716-080002 | NUT M8 | 3- 21 | 4 | 4 | |
| 26716-080002 | NUT M8 | 3- 21 | 4 | 4 | |
| 26716-080002 | NUT M8 | 3- 58 | 2 | 2 | |
| 26716-080002 | NUT M8 | 4- 8 | 1 | 1 | |
| 26716-080002 | NUT M8 | 4- 18 | 1 | 1 | |
| 26716-080002 | NUT M8 | 13- 34 | 1 | 1 | |
| 26716-080002 | NUT M8 | 17- 14 | 1 | 1 | |
| 26716-080002 | NUT M8 | 17- 21 | 4 | 4 | |
| 26716-100002 | NUT M10 | 1- 25 | 2 | 2 | |
| 26716-100002 | NUT M10 | 4- 18 | 1 | 1 | |
| 26716-100002 | NUT M10 | 13- 17 | 1 | 1 | |
| 26716-100002 | NUT M10 | 17- 14 | 1 | 1 | |
| 26736-100002 | NUT M10 | 1- 25 | 2 | 2 | |
| 26736-100002 | NUT M10 | 3- 6 | 2 | 2 | |
| 26756-080002 | LOCK NUT M8 | 3- 29 | 4 | 4 | |
| 26756-080002 | LOCK NUT M8 | 9- 16 | 4 | 4 | |
| 26756-080002 | LOCK NUT M8 | 9- 27 | 1 | 1 | |
| 26756-080002 | LOCK NUT M8 | 9- 27 | 1 | 1 | |
| 27231-350000 | PLUG 35 | 4- 28 | 2 | 2 | |
| 27233-150000 | PLUG 15 | 2- 7 | 1 | 1 | |
| 27233-350000 | PLUG 35 | 4- 28 | 2 | 2 | |
| 27233-350000 | PLUG 35 | 4- 28 | 2 | 2 | |
| 27243-300000 | PLUG 30 | 1- 37 | 1 | 1 | |
| 27310-070000 | COTTER, valve | 3- 11 | 4 | 4 | |

NUMERICAL PART NO. LIST

CHASSIS PARTS

NUMERICAL PART NO. LIST

| Part No. | Description | Refer. No. | Qty/Unit | | Remarks |
|--------------|--------------------------------|------------|----------|-------|---------|
| | | | 2173A | 2173A | |
| 43400-500390 | SEAL WASHER 6 | 12- 28 | 1 | 1 | |
| 43400-500390 | SEAL WASHER 6 | 104-28 | 1 | 1 | |
| 43400-500410 | SEAL WASHER 8 | 2- 46 | 2 | 2 | |
| 43400-500410 | SEAL WASHER 8 | 104-29 | 2 | 2 | |
| 43400-500430 | SEAL WASHER 10 | 13- 11 | 2 | 2 | |
| 43400-500430 | SEAL WASHER 10 | 104-30 | 2 | 2 | |
| 704200-22500 | PISTON RING SET | 7- 2 | 2 | 2 | |
| 711100-51540 | ROLLER ASS'Y, plunger | 10- 7 | 2 | 2 | |
| 721454-13700 | SILENCER ASS'Y, exhaust | 4- | 1 | 1 | |
| 724060-01502 | CASE ASS'Y, timing gear | 2- | 1 | 1 | |
| 724060-01520 | COVER ASS'Y | 2- | 1 | 1 | |
| 724060-01542 | COVER ASS'Y, cyl. lower | 1- 12 | 1 | 1 | |
| 724060-01561 | BLOCK ASS'Y | 1- | 1 | 1 | |
| 724060-01613 | CASE ASS'Y, timing gear | 2- | 1 | 1 | |
| 724060-01900 | CYLINDER LINER | 1- | 2 | | |
| 724060-02500 | HOUSING ASS'Y, main bearing | 6- | 1 | 1 | |
| 724060-11520 | BONNET ASS'Y | 3- | 1 | | |
| 724060-11650 | ARM ASS'Y, valve rocker | 3- | 4 | 4 | |
| 724060-11701 | HEAD ASS'T, cylinder | 3- | 1 | | |
| 724060-21700 | CRANKSHAFT ASS'Y | 6- | 1 | 1 | |
| 724060-22100 | CONNECTING ROD ASS'Y | 7- 8 | 2 | | |
| 724060-22721 | PISTON w/RINGS | 7- | 2 | | |
| 724060-22722 | PISTON w/RINGS | 7- | 2 | | |
| 724060-32701 | PUMP ASS'Y, lub. oil | 8- | 1 | 1 | |
| 724060-51701 | PUMP ASS'Y, fuel injection | 10- | 1 | | |
| 724060-53101 | VALVE ASS'Y, fuel injection | 11- 1 | 2 | 2 | |
| 724060-61520 | SUPPORT ASS'Y, governor weight | 13- | 1 | 1 | |
| 724060-66531 | HANDLE ASS'Y, regulator | 13- 21 | 1 | 1 | |
| 724060-92501 | REPAIR KIT (A), engine | 103- 1 | 1 | | |
| 724060-92600 | GASKET KIT (A), engine | 104- 1 | 1 | | |
| 724064-01560 | BLOCK ASS'Y | 1- | 1 | 1 | |
| 724064-23610 | CRANK PIN BEARING (0.25US) | 7- 11 | 2 | 2 | |
| 724066-22500 | PISTON RING SET | 7- 2 | | 2 | |
| 724066-22501 | RING SET, piston | 103- 3 | 2 | | |
| 724066-22510 | PISTON RING SET | 7- 2 | 2 | | |
| 724160-13700 | 2nd SILENCER ASS'Y, exhaust | 4- | 1 | | |
| 724160-55501 | STRAINER ASS'Y, fuel | 12- | 1 | 1 | |
| 724240-51530 | RACK ASS'Y, fuel control | 10- 17 | 1 | 1 | |
| 724260-55200 | COCK ASS'Y, fuel | 12- 1 | 1 | 1 | |
| 724550-51520 | GUIDE ASS'Y, plunger | 10- 6 | | 2 | |
| 724660-01900 | CYLINDER LINER | 1- | | 2 | |
| 724660-11700 | HEAD ASS'Y, cylinder | 3- | | 1 | |
| 724660-13700 | 2nd SILENCER ASS'Y, exhaust | 4- | 1 | | |
| 724660-13700 | SILENCER ASS'Y, exhaust | 4- | | 1 | |
| 724660-13700 | SILENCER ASS'Y, exhaust | 17- | 1 | | |

— 6 —

NUMERICAL PART NO. LIST

| Part No. | Description | Refer. No. | Qty/Unit | | Remarks |
|--------------|----------------------------|------------|----------|-------|---------|
| | | | 2173A | 2173A | |
| 724660-22500 | RING SET, piston | 103- 3 | | 2 | |
| 724660-22722 | PISTON w/RINGS | 7- | | 2 | |
| 724660-23100 | CONNECTING ROD ASS'Y | 7- 8 | 2 | 2 | |
| 724660-51701 | PUMP ASS'Y, fuel injection | 10- | | 1 | |
| 724660-92600 | GASKET KIT (A), engine | 104- 1 | | 1 | |
| 724664-13700 | SILENCER ASS'Y, exhaust | 4- | | 1 | |
| 724664-92730 | REPAIR KIT (A), engine | 103- 1 | | 1 | |

NUMERICAL PART NO. LIST

NUMERICAL PART NO. LIST

| Part No. | Description | Refer. No. | Qty/Unit | | Remarks |
|--------------|------------------------|------------|----------|------|---------|
| | | | ZTR3A | ZT3A | |
| 942131-41410 | CORE ASS'Y | 16- 3 | 1 | 1 | |
| 942141-41416 | CONTROL UNIT (A), (+) | 16- 14 | 1 | 1 | |
| 942141-41417 | CONTROL UNIT (B), (-) | 16- 15 | 1 | 1 | |
| 942141-42306 | V-PULLEY | 16- 8 | 1 | 1 | |
| 942141-86124 | BEARING #6201Z | 16- 4 | 2 | 2 | |
| 942151-32093 | SPACER | 16- 5 | 1 | 1 | |
| 942151-86024 | CIRCLIP | 16- 6 | 1 | 1 | |
| 942151-86372 | NUT | 16- 11 | 1 | 1 | |
| 942701-41407 | PLATE ASS'Y | 16- 1 | 1 | 1 | |
| 94270M-42875 | MAGNET WHEEL ASS'Y | 16- | 1 | 1 | |
| 942741-42299 | MAGNET WHEEL ASS'Y | 16- | 1 | 1 | |
| X21141360 | HOLDER ASS'Y, brush | 15- 15 | 1 | 1 | |
| X211416007 | CASE ASS'Y, gear | 15- 19 | 1 | 1 | |
| X211421002 | ARMATURE ASS'Y | 15- 1 | 1 | 1 | |
| X211426011 | LEVER SET, shift | 15- 21 | 1 | 1 | |
| X21142742 | COVER | 15- 25 | 1 | 1 | |
| X211432001 | COIL ASS'Y, field | 15- 10 | 1 | 1 | |
| X21143454 | PLATE, center | 15- 34 | 1 | 1 | |
| X211437002 | SWITCH ASS'Y, magnetic | 15- 24 | 1 | 1 | |
| X21143963 | COVER KIT, dust | 15- 29 | 1 | 1 | |
| X211443001 | COVER ASS'Y, rear | 15- 13 | 1 | 1 | |
| X21144314 | SPRING, brush | 15- 17 | 4 | 4 | |
| X21144661 | BUSH | 15- 20 | 1 | 1 | |
| X211453002 | COVER ASS'Y, rear | 15- 13 | 1 | 1 | |
| X21145312 | BRUSH (+) | 15- 12 | 2 | 2 | |
| X21145313 | BRUSH (-) | 15- 16 | 2 | 2 | |
| X21145352 | BUSH, rear cover | 15- 14 | 1 | 1 | |
| X211455003 | PINION ASS'Y | 15- 18 | 1 | 1 | |
| X211456005 | CASE ASS'Y, gear | 15- 19 | 1 | 1 | |
| X211462001 | COIL ASS'Y, field | 15- 10 | 1 | 1 | |
| X21147215 | SCREW, pole core | 15- 11 | 4 | 4 | |
| X21147854 | BOLT | 15- 28 | 2 | 2 | |
| X21148110 | WASHER KIT, thrust | 15- 2 | 1 | 1 | |
| X21148215 | SCREW, pole core | 15- 11 | 4 | 4 | |
| X21148652 | LEVER SET, shift | 15- 21 | 1 | 1 | |
| X21148854 | BOLT | 15- 28 | 2 | 2 | |
| X211491001 | ARMATURE ASS'Y | 15- 1 | 1 | 1 | |
| X22147155 | STOPPER SET, pinion | 15- 6 | 1 | 1 | |

| Part No. | Description | Refer. No. | Qty/Unit | | | | Remarks |
|--------------|------------------------|------------|----------|--------|-------|--------|---------|
| | | | YM155 | YM155D | YM135 | YM155D | |
| 104210-14400 | SEAL RING 35 x 42 x 17 | 27- 70 | | 2 | | 2 | |
| 121450-77710 | CURRENT LIMITER | 61- 23 | 1 | 1 | | | |
| 121450-77710 | CURRENT LIMITER | 62- 17 | 1 | 1 | | | |
| 121450-77710 | CURRENT LIMITER | 65- 23 | | | 1 | 1 | |
| 124060-77680 | CLIP | 21- 32 | 1 | 1 | | | |
| 124060-77680 | CLIP | 22- 30 | | | 1 | 1 | |
| 124460-59060 | BAND, hose | 21- 23 | 2 | 2 | | | |
| 124460-59060 | BAND, hose | 22- 23 | | | 2 | 2 | |
| 124660-77710 | CURRENT LIMITER | 61- 23 | 1 | 1 | | | |
| 124660-77710 | CURRENT LIMITER | 65- 23 | | | 1 | 1 | |
| 124660-77710 | CURRENT LIMITER | 66- 18 | | | 1 | 1 | |
| 193884-30247 | GRIP, lever | 39- 24 | 2 | 2 | | | |
| 193884-30247 | GRIP, lever | 40- 24 | | | 2 | 2 | |

NUMERICAL PART NO. LIST

| Part No. | Description | Refer. No. | Q'ty/Unit | | | | Remarks |
|--------------|--------------------------|------------|-----------|--------|-------|--------|---------|
| | | | YM155 | YM155D | YM135 | YM135D | |
| 194080-15420 | SHIM, adjust screw | 28- 15 | 1 | 1 | | | |
| 194080-15440 | SHIM, adjust screw | 28- 17 | 1 | 1 | | | |
| 194080-15450 | SHIM, adjust screw | 28- 18 | 1 | 1 | | | |
| 194080-15460 | SHIM, adjust screw | 28- 19 | 1 | 1 | | | |
| 194080-52131 | SWITCH, turn signal | 61- 20 | 1 | 1 | | | |
| 194080-52131 | SWITCH, turn signal | 62- 16 | 1 | 1 | | | |
| 194080-52131 | SWITCH, turn signal | 65- 20 | | | 1 | 1 | |
| 194080-52131 | SWITCH, turn signal | 66- 17 | | | 1 | 1 | |
| 194080-52132 | SWITCH, turn signal | 61- 20 | 1 | 1 | | | |
| 194080-52132 | SWITCH, turn signal | 62- 16 | 1 | 1 | | | |
| 194080-52132 | SWITCH, turn signal | 64- 17 | 1 | 1 | | | |
| 194080-52132 | SWITCH, turn signal | 65- 20 | | | 1 | 1 | |
| 194080-52132 | SWITCH, turn signal | 66- 17 | | | 1 | 1 | |
| 194080-55840 | BULB 12V-3W | 61- 44 | 2 | 2 | | | |
| 194080-55840 | BULB 12V-3W | 61- 46 | 2 | 2 | | | |
| 194080-55840 | BULB 12V-3W | 62- 35 | 1 | 1 | | | |
| 194080-55840 | BULB 12V-3W | 62- 37 | 1 | 1 | | | |
| 194080-55840 | BULB 12V-3W | 63- 72 | 1 | 1 | | | |
| 194080-55840 | BULB 12V-3W | 63- 74 | 1 | 1 | | | |
| 194080-55840 | BULB 12V-3W | 65- 42 | | | 2 | 2 | |
| 194080-55840 | BULB 12V-3W | 65- 44 | | | 2 | 2 | |
| 194080-55840 | BULB 12V-3W | 66- 36 | 1 | 1 | | | |
| 194080-55840 | BULB 12V-3W | 66- 38 | 1 | 1 | | | |
| 194080-57202 | RELAY, turn signal | 61- 25 | 1 | 1 | | | |
| 194080-57202 | RELAY, turn signal | 62- 19 | 1 | 1 | | | |
| 194080-57202 | RELAY, turn signal | 63- 87 | 1 | 1 | | | |
| 194080-57202 | RELAY, turn signal | 64- 57 | 1 | 1 | | | |
| 194080-57202 | RELAY, turn signal | 65- 25 | | | 1 | 1 | |
| 194080-57202 | RELAY, turn signal | 66- 20 | | | 1 | 1 | |
| 194080-58810 | GROMMET 8 | 74- 58 | 2 | 2 | | | |
| 194080-58810 | GROMMET 8 | 78- 58 | | | 2 | 2 | |
| 194080-81111 | WEIGHT 20, front | 89- 9 | 3 | 3 | 3 | 3 | |
| 194080-81212 | WEIGHT 25, rear wheel | 89- 3 | 2 | 2 | 2 | 2 | |
| 194080-81230 | WEIGHT 20, rear wheel | 89- 2 | 2 | 2 | 2 | 2 | |
| 194081-54110 | LENS, work light | 85- 6 | 1 | 1 | 1 | 1 | |
| 194081-55820 | BULB 12V-20W | 64- 38 | 2 | 2 | | | |
| 194081-55820 | BULB 12V 20W | 85- 7 | 1 | 1 | 1 | 1 | |
| 194081-99230 | LABEL, oil pressure lamp | 67- 58 | 1 | 1 | | | |
| 194081-99230 | LABEL, oil pressure lamp | 71- 49 | | | 1 | 1 | |
| 194081-99230 | LABEL, oil pressure lamp | 96- 29 | 1 | 1 | | | |
| 194081-99230 | LABEL, oil pressure lamp | 97- 29 | 1 | 1 | | | |
| 194081-99230 | LABEL, oil pressure lamp | 99- 32 | 1 | 1 | | | |
| 194081-99230 | LABEL, oil pressure lamp | 101-28 | | | 1 | 1 | |
| 194130-15470 | ADJUST SCREW | 28- 14 | 1 | 1 | | | |
| 194130-52121 | SWITCH, lighting | 61- 13 | 1 | 1 | | | |

- 1 -

NUMERICAL PART NO. LIST

| Part No. | Description | Refer. No. | Q'ty/Unit | | | | Remarks |
|--------------|-------------------------|------------|-----------|--------|-------|--------|---------|
| | | | YM155 | YM155D | YM135 | YM135D | |
| 194130-52121 | SWITCH, lighting | 62- 13 | 1 | 1 | | | |
| 194130-52121 | SWITCH, lighting | 63- 16 | 1 | 1 | | | |
| 194130-52121 | SWITCH, lighting | 64- 16 | 1 | 1 | | | |
| 194130-52121 | SWITCH, lighting | 65- 13 | | | 1 | 1 | |
| 194130-52121 | SWITCH, lighting | 66- 13 | | | 1 | 1 | |
| 194130-65380 | LABEL, horn switch | 67- 55 | 1 | 1 | | | |
| 194130-65380 | LABEL, horn switch | 68- 27 | 1 | 1 | | | |
| 194130-65380 | LABEL, horn switch | 70- 27 | 1 | 1 | | | |
| 194130-65380 | LABEL, horn switch | 71- 46 | | | 1 | 1 | |
| 194130-65380 | LABEL, horn switch | 72- 20 | | | 1 | 1 | |
| 194130-65380 | LABEL, horn switch | 96- 11 | 1 | 1 | | | |
| 194130-65380 | LABEL, horn switch | 97- 11 | 1 | 1 | | | |
| 194130-65380 | LABEL, horn switch | 98- 6 | 1 | 1 | | | |
| 194130-65380 | LABEL, horn switch | 99- 13 | 1 | 1 | | | |
| 194130-65380 | LABEL, horn switch | 100- 9 | 1 | 1 | | | |
| 194130-65380 | LABEL, horn switch | 101-11 | | | 1 | 1 | |
| 194130-65380 | LABEL, horn switch | 102- 6 | | | 1 | 1 | |
| 194136-12880 | VALVE TR413 | 93- 9 | | | 2 | 2 | |
| 194140-63221 | PIN 8 x 205, seat hinge | 73- 37 | 1 | 1 | | | |
| 194140-63221 | PIN 8 x 205, seat hinge | 74- 37 | 1 | 1 | | | |
| 194140-63221 | PIN 8 x 205, seat hinge | 75- 26 | 1 | 1 | | | |
| 194140-63221 | PIN 8 x 205, seat hinge | 76- 37 | 1 | 1 | | | |
| 194140-63221 | PIN 8 x 205, seat hinge | 77- 37 | | | 1 | 1 | |
| 194140-63221 | PIN 8 x 205, seat hinge | 78- 37 | | | 1 | 1 | |
| 194145-11350 | BOLT M6 x 5 | 23- 31 | 2 | | | | |
| 194145-11350 | BOLT M6 x 5 | 24- 31 | | | 2 | | |
| 194145-52820 | FUSE 5A | 61- 38 | 1 | 1 | | | |
| 194145-52820 | FUSE 5A | 62- 29 | 1 | 1 | | | |
| 194145-52820 | FUSE 5A | 63- 28 | 1 | 1 | | | |
| 194145-52820 | FUSE 5A | 64- 27 | 1 | 1 | | | |
| 194145-52820 | FUSE 5A | 65- 36 | | | 1 | 1 | |
| 194145-52820 | FUSE 5A | 66- 30 | | | 1 | 1 | |
| 194145-52830 | FUSE 10A | 61- 39 | 2 | 2 | | | |
| 194145-52830 | FUSE 10A | 62- 30 | 2 | 2 | | | |
| 194145-52830 | FUSE 10A | 63- 29 | 2 | 2 | | | |
| 194145-52830 | FUSE 10A | 64- 28 | 2 | 2 | | | |
| 194145-52830 | FUSE 10A | 65- 37 | | | 2 | 2 | |
| 194145-52830 | FUSE 10A | 66- 31 | | | 2 | 2 | |
| 194145-52830 | FUSE 10A | 94- 24 | 1 | 1 | | | |
| 194145-52840 | FUSE 15A | 61- 40 | 2 | 2 | | | |
| 194145-52840 | FUSE 15A | 62- 31 | 2 | 2 | | | |
| 194145-52840 | FUSE 15A | 63- 30 | 2 | 2 | | | |
| 194145-52840 | FUSE 15A | 64- 29 | 2 | 2 | | | |
| 194145-52840 | FUSE 15A | 65- 38 | | | 2 | 2 | |
| 194145-52840 | FUSE 15A | 66- 32 | | | 2 | 2 | |

NUMERICAL PART NO. LIST

| Part No. | Description | Refer. No. | Qty/Unit | | | | Remarks |
|----------------|---------------------------|------------|----------|--------|-------|--------|---------|
| | | | YMI55 | YMI55D | YMI35 | YMI35D | |
| 194150-01190 | KNOB, throttle lever | 18- 2 | 1 | 1 | | | |
| 194150-01190 | KNOB, throttle lever | 19- 2 | 1 | 1 | | | |
| 194150-04121 | CAP, fuel oil tank | 21- 3 | 1 | 1 | | | |
| 194150-04121 | CAP, fuel oil tank | 22- 3 | | | 1 | 1 | |
| 194150-04130 | PACKING, cap | 21- 26 | 1 | 1 | | | |
| 194150-04130 | PACKING, cap | 22- 26 | | | 1 | 1 | |
| 194150-04760 | JOINT, pipe | 21- 10 | 1 | 1 | | | |
| 194150-04760 | JOINT, pipe | 22- 10 | | | 1 | 1 | |
| 194150-12410 | TURNBUCKLE 17 x 1.5 | 23- 34 | 1 | | | | |
| 194150-12410 | TURNBUCKLE 17 x 1.5 | 24- 34 | | | 1 | | |
| 194150-12410 | TURNBUCKLE 17 x 1.5 | 25- 76 | | 1 | | | |
| 194150-12410 | TURNBUCKLE 17 x 1.5 | 26- 76 | | | | 1 | |
| 194150-12720 | OIL SEAL TC35 52 11 | 23- 17 | 2 | | | | |
| 194150-12720 | OIL SEAL TC35 52 11 | 24- 17 | | | 2 | | |
| 194150-12720 | OIL SEAL TC 35 52 11 | 50- 8 | 2 | | | | |
| 194150-12720 | OIL SEAL TC 35 52 11 | 52- 8 | 2 | | | | |
| 194150-12720 | OIL SEAL TC 35 52 11 | 54- 8 | | 2 | | | |
| 194150-12720 | OIL SEAL TC 35 52 11 | 56- 8 | | 2 | | | |
| 194150-21910 | PLUG 11 | 58- 3 | 2 | 2 | 2 | 2 | |
| 194150-48230 | RUBBER HOSE, low-pressure | 60- 11 | 1 | 1 | 1 | 1 | |
| 194150-48700 | CLAMP | 60- 12 | 2 | 2 | 2 | 2 | |
| 194150-52160 | SWITCH, horn | 61- 30 | 1 | 1 | | | |
| 194150-52160 | SWITCH, horn | 62- 24 | 1 | 1 | | | |
| 194150-52160 | SWITCH, horn | 63- 12 | 1 | 1 | | | |
| 194150-52160 | SWITCH, horn | 64- 12 | 1 | 1 | | | |
| 194150-52160 | SWITCH, horn | 65- 30 | | | 1 | 1 | |
| 194150-52160 | SWITCH, horn | 66- 25 | | | 1 | 1 | |
| 194150-52170 | CAP, horn switch | 61- 31 | 1 | 1 | | | |
| 194150-52170 | CAP, horn switch | 62- 25 | 1 | 1 | | | |
| 194150-52170 | CAP, horn switch | 63- 13 | 1 | 1 | | | |
| 194150-52170 | CAP, horn switch | 64- 13 | 1 | 1 | | | |
| 194150-52170 | CAP, horn switch | 65- 31 | | | 1 | 1 | |
| 194150-52170 | CAP, horn switch | 66- 26 | | | 1 | 1 | |
| 194150-57621 | GRIP, control lever | 59- 29 | 1 | 1 | 1 | 1 | |
| 194150-65360 | LABEL, turn signal | 67- 52 | 1 | 1 | | | |
| 194150-65360 | LABEL, turn signal | 71- 43 | | | 1 | 1 | |
| 194150-65360 | LABEL, turn signal | 72- 17 | | | 1 | 1 | |
| 194150-65360 | LABEL, flusher | 96- 10 | 1 | 1 | | | |
| 194150-65360 | LABEL, flusher | 97- 10 | 1 | 1 | | | |
| 194150-65360 | LABEL, flusher | 99- 12 | 1 | 1 | | | |
| 194150-65360 | LABEL, flusher | 101-10 | | | 1 | 1 | |
| 194150-71110-X | TURNBUCKLE, top link | 82- 6 | 1 | 1 | 1 | 1 | |
| 194150-71140 | NUT M24, top link | 81- 9 | 1 | 1 | 1 | 1 | |
| 194150-71140 | NUT M24, top link | 82- 9 | 1 | 1 | 1 | 1 | |
| 194150-71230 | PIN, top link | 81- 3 | 2 | 2 | 2 | 2 | |

NUMERICAL PART NO. LIST

| Part No. | Description | Refer. No. | Qty/Unit | | | | Remarks |
|----------------|-------------------------|------------|----------|--------|-------|--------|---------|
| | | | YMI55 | YMI55D | YMI35 | YMI35D | |
| 194150-71230 | PIN, top link | 81- 3 | 1 | 1 | 1 | 1 | |
| 194150-71230 | PIN, top link | 82- 3 | 2 | 2 | 2 | 2 | |
| 194150-71230 | PIN, top link | 82- 3 | 1 | 1 | 1 | 1 | |
| 194150-72240 | LOCK NUT M18 x 1.5 | 81- 22 | 1 | 1 | 1 | 1 | |
| 194150-72240 | LOCK NUT M18 x 1.5 | 82- 22 | 1 | 1 | 1 | 1 | |
| 194150-72241 | LOCK NUT M18 | 81- 22 | 1 | 1 | 1 | 1 | |
| 194150-72460 | PIN, lift yoke | 81- 12 | 1 | 1 | 1 | 1 | |
| 194150-72460 | PIN, lift yoke | 81- 23 | 1 | 1 | 1 | 1 | |
| 194150-72460 | PIN, lift yoke | 82- 12 | 1 | 1 | 1 | 1 | |
| 194150-72460 | PIN, lift yoke | 82- 23 | 1 | 1 | 1 | 1 | |
| 194150-74630 | PIN, shackle | 81- 35 | 2 | 2 | 2 | 2 | |
| 194150-74630 | PIN, shackle | 82- 35 | 2 | 2 | 2 | 2 | |
| 194150-74670 | TURNBUCKLE, check chain | 81- 33 | 2 | 2 | 2 | 2 | |
| 194150-74670 | TURNBUCKLE, check chain | 82- 33 | 2 | 2 | 2 | 2 | |
| 194150-74672-X | TURNBUCKLE, check chain | 81- 33 | 2 | 2 | 2 | 2 | |
| 194150-74672-X | TURNBUCKLE, check chain | 82- 33 | 2 | 2 | 2 | 2 | |
| 194150-74850 | SNAP PIN 2.4 | 81- 13 | 1 | 1 | 1 | 1 | |
| 194150-74850 | SNAP PIN 2.4 | 81- 24 | 1 | 1 | 1 | 1 | |
| 194150-74850 | SNAP PIN 2.4 | 81- 39 | 2 | 2 | 2 | 2 | |
| 194150-74850 | SNAP PIN 2.4 | 82- 13 | 1 | 1 | 1 | 1 | |
| 194150-74850 | SNAP PIN 2.4 | 82- 24 | 1 | 1 | 1 | 1 | |
| 194150-74850 | SNAP PIN 2.4 | 82- 39 | 2 | 2 | 2 | 2 | |
| 194151-04120 | CAP, fuel oil tank | 21- 3 | 1 | 1 | | | |
| 194151-04120 | CAP, fuel oil tank | 22- 3 | | | 1 | 1 | |
| 194151-04140 | STRAINER, fuel oil tank | 21- 2 | 1 | 1 | | | |
| 194151-04140 | STRAINER, fuel oil tank | 22- 2 | | | 1 | 1 | |
| 194151-04141 | STRAINER, fuel oil tank | 21- 2 | 1 | 1 | | | |
| 194151-04141 | STRAINER, fuel oil tank | 22- 2 | | | 1 | 1 | |
| 194151-04150 | PACKING, cap | 21- 4 | 1 | 1 | | | |
| 194151-04150 | PACKING, cap | 22- 4 | | | 1 | 1 | |
| 194151-11360 | BUSH 29d x 38L | 23- 30 | 1 | | | | |
| 194151-11360 | BUSH 29d x 38L | 23- 30 | 2 | | | | |
| 194151-11360 | BUSH 29d x 38L | 24- 30 | | | 1 | | |
| 194151-11360 | BUSH 29d x 38L | 24- 30 | | | 2 | | |
| 194151-11480 | GREASE NIPPLE | 23- 32 | 3 | | | | |
| 194151-11480 | GREASE NIPPLE | 24- 32 | | | 3 | | |
| 194151-11490 | BOLT M6 x 6 | 23- 31 | 2 | | | | |
| 194151-11490 | BOLT M6 x 6 | 24- 31 | | | 2 | | |
| 194151-11520 | BUSH | 24- 5 | | | 2 | | |
| 194151-11600 | KING PIN, complete | 23- 20 | 2 | | | | |
| 194151-11600 | KING PIN, complete | 24- 20 | | | 2 | | |
| 194151-11600-X | KING PIN, complete | 23- 20 | 2 | | | | |
| 194151-11600-X | KING PIN, complete | 24- 20 | | | 2 | | |
| 194151-11640 | NUT M10 | 23- 26 | 2 | | | | |
| 194151-11640 | NUT M10 | 24- 26 | | | 2 | | |

NUMERICAL PART NO. LIST

| Part No. | Description | Refer. No. | Q'ty/Unit | | | | Remarks |
|----------------|-------------------------------|------------|-----------|--------|-------|--------|---------|
| | | | YMI55 | YMI55D | YMI35 | YMI35D | |
| 194151-11640 | NUT M18 x 1.5 | 25- 69 | | 2 | | | |
| 194151-11640 | NUT M18 x 1.5 | 26- 69 | | | | 2 | |
| 194151-11650 | WASHER, plain 36d x 2.3w | 23- 28 | 2 | | | | |
| 194151-11650 | WASHER, plain 36d x 2.3w | 24- 28 | | 2 | | | |
| 194151-11650 | PLATE, washer | 25- 70 | 2 | | | | |
| 194151-11650 | PLATE, washer | 26- 70 | | | | 2 | |
| 194151-11660 | KEY 7 x 26, feather | 23- 25 | 2 | | | | |
| 194151-11660 | KEY 7 x 26, feather | 24- 25 | | 2 | | | |
| 194151-11660 | KEY 7 x 26, feather | 25- 41 | | 2 | | | |
| 194151-11660 | KEY 7 x 26, feather | 26- 41 | | | | 2 | |
| 194151-11670 | WASHER 42 x 51.8 x 1 | 23- 19 | 2 | | | | |
| 194151-11670 | WASHER 42 x 51.8 x 1 | 24- 19 | | 2 | | | |
| 194151-11670 | WASHER 42 x 51.8 x 1 | 50- 11 | 2 | | | | |
| 194151-11670 | WASHER 42 x 51.8 x 1 | 52- 11 | 2 | | | | |
| 194151-11670 | WASHER 42 x 51.8 x 1 | 54- 11 | | 2 | | | |
| 194151-11670 | WASHER 42 x 51.8 x 1 | 56- 11 | | 2 | | | |
| 194151-11840 | COVER,king pin upper 40d x 3w | 23- 21 | 2 | | | | |
| 194151-11840 | COVER,king pin upper 40d x 3w | 24- 21 | | 2 | | | |
| 194151-11860 | O-RING 1A-2025 | 23- 22 | 2 | | | | |
| 194151-11860 | O-RING 1A-2025 | 24- 22 | | 2 | | | |
| 194151-12620-X | COVER, front wheel hub. | 52- 16 | 2 | | | | |
| 194151-12620-X | COVER, front wheel hub. | 56- 16 | | 2 | | | |
| 194151-12620-X | COVER, front wheel hub. | 50- 16 | 2 | | | | |
| 194151-12620-X | COVER, front wheel hub. | 54- 16 | | 2 | | | |
| 194151-12640 | WASHER 20, plain | 50- 14 | 2 | | | | |
| 194151-12640 | WASHER 20, plain | 52- 14 | 2 | | | | |
| 194151-12640 | WASHER 20, plain | 54- 14 | | 2 | | | |
| 194151-12640 | WASHER 20, plain | 56- 14 | | 2 | | | |
| 194151-47760 | WASHER, conical | 76- 53 | 4 | 4 | | | |
| 194151-48710 | BAND, hose | 60- 12 | 2 | 2 | 2 | 2 | |
| 194151-55820 | BULB 12V-3.4W | 63- 76 | 1 | 1 | | | |
| 194151-57100 | HORN | 61- 32 | 1 | 1 | | | |
| 194151-57100 | HORN | 65- 50 | | | 1 | 1 | |
| 194151-63112 | SEAT, operator's | 73- 34 | 1 | 1 | | | |
| 194151-63112 | SEAT, operator's | 74- 34 | 1 | 1 | | | |
| 194151-63112 | SEAT, operator's | 77- 34 | | | 1 | 1 | |
| 194155-04120 | CAP, fuel oil tank | 21-3-1 | 1 | 1 | | | |
| 194155-04160 | BAFFLE PACKING, cap | 21- 28 | 1 | 1 | | | |
| 194155-04170 | BAFFLE FORM | 21- 29 | 1 | 1 | | | |
| 194155-04720 | CAP, fuel oil tank | 21-3-1 | 1 | 1 | | | |
| 194155-52110 | SWITCH, starting | 61- 19 | 1 | 1 | | | |
| 194155-52110 | SWITCH, starting | 62- 15 | 1 | 1 | | | |
| 194155-52110 | SWITCH, starting | 63- 14 | 1 | 1 | | | |
| 194155-52110 | SWITCH, starting | 64- 14 | 1 | 1 | | | |
| 194155-52110 | SWITCH, starting | 65- 19 | | | 1 | 1 | |

- 1 -

NUMERICAL PART NO. LIST

| Part No. | Description | Refer. No. | Q'ty/Unit | | | | Remarks |
|----------------|------------------------------|------------|-----------|--------|-------|--------|---------|
| | | | YMI55 | YMI55D | YMI35 | YMI35D | |
| 194155-52110 | SWITCH, starting | 66- 15 | | | 1 | 1 | |
| 194170-52130 | SWITCH, turn signal | 63- 18 | 1 | 1 | | | |
| 194190-11520 | BUSH 25d x 25L | 24- 5 | | | | 2 | |
| 194190-56100 | CABLE, hour meter | 61- 48 | 1 | 1 | | | |
| 194190-56900 | CABLE, hour meter | 61- 48 | 1 | 1 | | | |
| 194190-56900 | CABLE, hour meter | 62- 42 | 1 | 1 | | | |
| 194190-56900 | CABLE, hour meter | 63- 96 | 1 | 1 | | | |
| 194190-56900 | CABLE, hour meter | 64- 66 | 1 | 1 | | | |
| 194190-72200-X | BOLT(R), complete, lift link | 81- 19 | 1 | 1 | 1 | 1 | |
| 194190-72200-X | BOLT(R), complete, lift link | 82- 19 | 1 | 1 | 1 | 1 | |
| 194190-72240 | LINK (R), lift | 81- 21 | 1 | 1 | 1 | 1 | |
| 194190-72241 | LINK (R), lift | 81- 21 | 1 | 1 | 1 | 1 | |
| 194190-72241-X | LINK (R), lift | 81- 21 | 1 | 1 | 1 | 1 | |
| 194190-72241-X | LINK (R), lift | 82- 21 | 1 | 1 | 1 | 1 | |
| 194190-72300-X | LINK (L), complete, lift | 81- 11 | 1 | 1 | 1 | 1 | |
| 194190-72300-X | LINK (L), complete, lift | 82- 11 | 1 | 1 | 1 | 1 | |
| 194190-72301-X | LINK (L), complete, lift | 81- 11 | 1 | 1 | 1 | 1 | |
| 194190-72301-X | LINK (L), complete, lift | 82- 11 | 1 | 1 | 1 | 1 | |
| 194190-99240 | LABEL, pilot lamp | 67- 57 | 1 | 1 | | | |
| 194190-99240 | LABEL, pilot lamp | 71- 48 | | | 1 | 1 | |
| 194190-99240 | LABEL, pilot lamp | 72- 22 | | | 1 | 1 | |
| 194190-99240 | LABEL, water pilot | 96- 30 | 1 | 1 | | | |
| 194190-99240 | LABEL, water pilot | 97- 30 | 1 | 1 | | | |
| 194190-99240 | LABEL, water pilot | 99- 33 | 1 | 1 | | | |
| 194190-99240 | LABEL, water pilot | 101-29 | | | 1 | 1 | |
| 194200-01150 | SPRING 10, belleville | 18- 3 | 2 | 2 | | | |
| 194200-01150 | SPRING 10, belleville | 19- 3 | 2 | 2 | | | |
| 194200-01150 | SPRING 10, belleville | 20- 3 | | | 2 | 2 | |
| 194200-01172 | ROD (front), throttle | 18- 7 | 1 | 1 | | | |
| 194200-01172 | ROD (front), throttle | 20- 7 | | | 1 | 1 | |
| 194200-01190 | ADJUSTER, throttle | 18- 9 | 1 | 1 | | | |
| 194200-01190 | ADJUSTER, throttle | 20- 9 | | | 1 | 1 | |
| 194200-01200 | LEVER, decompression | 18- 13 | 1 | 1 | | | |
| 194200-01200 | LEVER, decompression | 19- 13 | 1 | 1 | | | |
| 194200-01541-X | PEDAL, throttle | 19- 20 | 1 | 1 | | | |
| 194200-01541-X | PEDAL, throttle | 83- 4 | 1 | 1 | 1 | 1 | |
| 194200-01680 | SPRING, pedal | 19- 25 | 1 | 1 | | | |
| 194200-01680 | SPRING, pedal | 83- 9 | 1 | 1 | 1 | 1 | |
| 194200-01710 | HOOK, pedal spring | 19- 19 | 1 | 1 | | | |
| 194200-01710 | HOOK, pedal spring | 83- 3 | 1 | 1 | 1 | 1 | |
| 194200-04251 | PIPE, tank outlet | 21- 5 | 1 | 1 | | | |
| 194200-04251 | PIPE, tank outlet | 22- 5 | | | 1 | 1 | |
| 194200-04260 | JOINT, pipe | 21- 10 | 1 | 1 | | | |
| 194200-04260 | JOINT, pipe | 22- 10 | | | 1 | 1 | |
| 194200-04261 | JOINT, pipe 8d x 29.5L | 21- 10 | 1 | 1 | | | |

NUMERICAL PART NO. LIST

| Part No. | Description | Refer. No. | Q'ty/Unit | | | | Remarks |
|----------------|---------------------------|------------|-----------|--------|-------|--------|---------|
| | | | YMI55 | YMI55D | YMI35 | YMI35D | |
| | | | | | | | |
| 194200-04261 | JOINT, pipe 8d x 29.5L | 22- 10 | | | 1 | 1 | |
| 194200-04270 | FELT 300 x 120 x 3 | 21- 11 | 1 | 1 | | | |
| 194200-04270 | FELT 300 x 120 x 3 | 21- 11 | 1 | 1 | | | |
| 194200-04280 | PACKING 10 | 21- 9 | 1 | 1 | | | |
| 194200-04280 | PACKING 10 | 22- 9 | | | 1 | 1 | |
| 194200-04301 | BAND, fuel oil tank | 21- 12 | 2 | 2 | | | |
| 194200-04301-X | BAND, fuel oil tank | 21- 12 | 2 | 2 | | | |
| 194200-04340 | FELT 300 x 30 x 3 | 21- 13 | 2 | 2 | | | |
| 194200-04340 | FELT 300 x 30 x 3 | 21- 13 | 2 | 2 | | | |
| 194200-04350-X | LATCH, band | 21- 15 | 1 | 1 | | | |
| 194200-04650 | FUEL PIPE | 21- 21 | 1 | 1 | | | |
| 194200-04650 | FUEL PIPE | 22- 21 | | | 1 | 1 | |
| 194200-04660 | SPRING, pipe protection | 21- 22 | 1 | 1 | | | |
| 194200-04660 | SPRING, pipe protection | 22- 22 | | | 1 | 1 | |
| 194200-11502 | AXLE, front | 23- 29 | 1 | | | | |
| 194200-11570 | BUSH 25d x 24L | 23- 5 | 2 | | | | |
| 194200-11570 | BUSH 25d x 24L | 23- 5 | 2 | | | | |
| 194200-11782 | ARM (L), knuckle | 23- 23 | 1 | | | | |
| 194200-11782-X | ARM (L), knuckle | 23- 23 | 1 | | | | |
| 194200-11792 | ARM (R), knuckle | 23- 24 | 1 | | | | |
| 194200-11792-X | ARM (R), knuckle | 23- 24 | 1 | | | | |
| 194200-11801-P | HUB, front wheel | 50- 15 | 2 | | | | |
| 194200-11801-Q | HUB, front wheel | 52- 15 | 2 | | | | |
| 194200-11801-P | HUB, front wheel | 56- 15 | | | 2 | | |
| 194200-11801-P | HUB, front wheel | 54- 15 | | | 2 | | |
| 194200-11880-Q | WHEEL 3.50B x 10GA, disc | 52- 2 | 2 | | | | |
| 194200-11880-P | WHEEL 3.50B x 10GA, disc | 56- 2 | | | 2 | | |
| 194200-11880-P | WHEEL 3.50B x 10GA, disc | 50- 2 | 2 | | | | |
| 194200-11880-P | WHEEL 3.50B x 10GA, disc | 54- 2 | | | 2 | | |
| 194200-11880-Q | WHEEL 3.50B x 10GA, disc | 50- 2 | 2 | | | | |
| 194200-11900 | TIRE ASS'Y 4.50-10, front | 50- 3 | 2 | | | | |
| 194200-11900 | TIRE ASS'Y 4.50-10, front | 52- 3 | 2 | | | | |
| 194200-11900 | TIRE ASS'Y 4.50-10, front | 54- 3 | | | 2 | | |
| 194200-11900 | TIRE ASS'Y 4.50-10, front | 56- 3 | | | 2 | | |
| 194200-11910 | TIRE 4.50-10 | 50- 4 | 2 | | | | |
| 194200-11910 | TIRE 4.50-10 | 52- 4 | 2 | | | | |
| 194200-11910 | TIRE 4.50-10 | 54- 4 | | | 2 | | |
| 194200-11910 | TIRE 4.50-10 | 56- 4 | | | 2 | | |
| 194200-11920 | TUBE, tire | 50- 5 | 2 | | | | |
| 194200-11920 | TUBE, tire | 52- 5 | 2 | | | | |
| 194200-11920 | TUBE, tire | 54- 5 | | | 2 | | |
| 194200-11920 | TUBE, tire | 56- 5 | | | 2 | | |
| 194200-14160 | PLATE, lock | 27- 33 | | | 1 | 1 | |
| 194200-14160 | PLATE, lock | 47- 15 | 2 | 2 | | | |
| 194200-14160 | PLATE, lock | 49- 15 | | | 2 | 2 | |

- 14 -

NUMERICAL PART NO. LIST

| Part No. | Description | Refer. No. | Q'ty/Unit | | | | Remarks |
|----------------|------------------------------|------------|-----------|--------|-------|--------|---------|
| | | | YMI55 | YMI55D | YMI35 | YMI35D | |
| | | | | | | | |
| 194200-14171 | WASHER, lock plate | 27- 34 | | | 1 | 1 | |
| 194200-14171 | WASHER, lock plate | 47- 50 | 2 | 2 | | | |
| 194200-14171 | WASHER, lock plate | 49- 50 | | | 2 | 2 | |
| 194200-14611 | TIE-ROD, complete | 23- 9 | 1 | | | | |
| 194200-14611 | TIE-ROD | 26- 53 | | | | 1 | |
| 194200-14611-X | TIE-ROD, complete | 23- 9 | 1 | | | | |
| 194200-14611-X | TIE-ROD | 25- 53 | | | 1 | | |
| 194200-15140 | SHAFT, sector | 28- 20 | 1 | 1 | | | |
| 194200-15170 | PLUG | 28- 10 | 1 | 1 | | | |
| 194200-15220 | OIL SEAL | 28- 21 | 1 | 1 | | | |
| 194200-15250 | SHIM | 28- 24 | 1 | 1 | | | |
| 194200-15260 | SHIM | 28- 26 | 1 | 1 | | | |
| 194200-15270 | SHIM | 28- 27 | 1 | 1 | | | |
| 194200-15280 | SHIM | 28- 28 | 1 | 1 | | | |
| 194200-15290 | SHIM | 28- 29 | 1 | 1 | | | |
| 194200-15311 | BUSH, column | 28- 3 | 1 | 1 | | | |
| 194200-15330 | PACKING, side cover | 28- 12 | 1 | 1 | | | |
| 194200-15390 | SHIM, adjust screw | 28- 15 | 1 | 1 | | | |
| 194200-15410 | BALL BEARING | 28- 7 | 1 | 1 | | | |
| 194200-15420 | BALL BEARING | 28- 8 | 1 | 1 | | | |
| 194200-15430 | SHIM, adjust screw | 28- 16 | 1 | 1 | | | |
| 194200-15440 | SHIM, adjust screw | 28- 17 | 1 | 1 | | | |
| 194200-15470 | ADJUST SCREW | 28- 14 | 1 | 1 | | | |
| 194200-15611 | ARM, pitman | 28- 34 | 1 | 1 | | | |
| 194200-15730 | STEERING WHEEL | 28- 40 | 1 | 1 | | | |
| 194200-15740 | CAP, steering wheel | 28- 41 | 1 | 1 | | | |
| 194200-15750 | PACKING, wheel cap | 28- 42 | 1 | 1 | | | |
| 194200-16111 | DRAG-ROD | 28- 43 | 1 | | | | |
| 194200-16111 | DRAG-ROD | 28- 47 | | | 1 | | |
| 194200-16111 | DRAG-ROD | 29- 43 | | | | 1 | |
| 194200-16111-X | DRAG-ROD | 28- 43 | 1 | | | | |
| 194200-16111-X | DRAG-ROD | 28- 47 | | | 1 | | |
| 194200-16111-X | DRAG-ROD | 29- 43 | | | | 1 | |
| 194200-21003-X | HOUSING, complete clutch | 30- 2 | 1 | | | | |
| 194200-21003-X | HOUSING, complete, clutch | 31- 2 | 1 | | | | |
| 194200-21003-X | HOUSING, complete clutch | 32- 2 | | | | 1 | |
| 194200-21003-X | HOUSING, complete clutch | 33- 2 | | | | 1 | |
| 194200-21102-X | HOUSING, complete, clutch | 30- 2 | 1 | | | | |
| 194200-21102-X | HOUSING, complete, clutch | 31- 2 | 1 | | | | |
| 194200-21102-X | HOUSING, complete, clutch | 32- 2 | | | | 1 | |
| 194200-21102-X | HOUSING, complete, clutch | 33- 2 | | | | 1 | |
| 194200-22110 | SHAFT, main driving 22dx442L | 30- 42 | 1 | 1 | | | |
| 194200-22110 | SHAFT, main driving 22dx442L | 31- 42 | 1 | 1 | | | |
| 194200-22110 | SHAFT, main driving 22dx442L | 32- 42 | | | 1 | 1 | |
| 194200-22110 | SHAFT, main driving 22dx442L | 33- 42 | | | 1 | 1 | |

NUMERICAL PART NO. LIST

| Part No. | Description | Refer. No. | Qty/Unit | | | | Remarks |
|--------------|-------------------------------|------------|----------|--------|-------|--------|---------|
| | | | YMI55 | YMI55D | YMI35 | YMI35D | |
| 194200-22150 | BEARING SLEEVE | 30- 20 | 1 | 1 | | | |
| 194200-22150 | BEARING SLEEVE | 31- 20 | 1 | 1 | | | |
| 194200-22150 | BEARING SLEEVE | 32- 20 | | | 1 | 1 | |
| 194200-22150 | BEARING SLEEVE | 33- 20 | | | 1 | 1 | |
| 194200-22170 | METAL 22 x 25 x 20 | 30- 21 | 1 | 1 | | | |
| 194200-22170 | METAL 22 x 25 x 20 | 31- 21 | 1 | 1 | | | |
| 194200-22170 | METAL 22 x 25 x 20 | 32- 21 | | | 1 | 1 | |
| 194200-22170 | METAL 22 x 25 x 20 | 33- 21 | | | 1 | 1 | |
| 194200-22180 | BEARING, clutch release | 30- 43 | 1 | 1 | | | |
| 194200-22180 | BEARING, clutch release | 31- 43 | 1 | 1 | | | |
| 194200-22180 | BEARING, clutch release | 32- 43 | | | 1 | 1 | |
| 194200-22180 | BEARING, clutch release | 33- 43 | | | 1 | 1 | |
| 194200-22190 | FELT, clutch release | 30- 22 | 1 | 1 | | | |
| 194200-22190 | FELT, clutch release | 31- 22 | 1 | 1 | | | |
| 194200-22190 | FELT, clutch release | 32- 22 | | | 1 | 1 | |
| 194200-22190 | FELT, clutch release | 33- 22 | | | 1 | 1 | |
| 194200-22310 | FORK, clutch shift | 31- 24 | 1 | 1 | | | |
| 194200-22310 | FORK, clutch shift | 32- 24 | | | 1 | 1 | |
| 194200-22310 | FORK, clutch shift | 33- 24 | | | 1 | 1 | |
| 194200-22380 | WIRE 0.9 x 140 | 30- 54 | 2 | 2 | | | |
| 194200-22380 | WIRE 0.9 x 140 | 31- 54 | 2 | 2 | | | |
| 194200-22380 | WIRE 0.9 x 140 | 32- 54 | | | 2 | 2 | |
| 194200-22380 | WIRE 0.9 x 140 | 33- 54 | | | 2 | 2 | |
| 194200-22410 | CLUTCH PEDAL | 30- 49 | 1 | 1 | | | |
| 194200-22410 | CLUTCH PEDAL | 31- 49 | 1 | 1 | | | |
| 194200-22410 | CLUTCH PEDAL | 32- 49 | | | 1 | 1 | |
| 194200-22410 | CLUTCH PEDAL | 33- 49 | | | 1 | 1 | |
| 194200-22460 | ROD, clutch | 30- 51 | 1 | 1 | | | |
| 194200-22460 | ROD, clutch | 31- 51 | 1 | 1 | | | |
| 194200-22460 | ROD, clutch | 32- 51 | | | 1 | 1 | |
| 194200-22460 | ROD, clutch | 33- 51 | | | 1 | 1 | |
| 194200-22490 | JOINT (B), clutch rod | 30- 52 | 1 | 1 | | | |
| 194200-22490 | JOINT (B), clutch rod | 31- 52 | 1 | 1 | | | |
| 194200-22490 | JOINT (B), clutch rod | 32- 52 | | | 1 | 1 | |
| 194200-22490 | JOINT (B), clutch rod | 33- 52 | | | 1 | 1 | |
| 194200-24120 | STUD M12 x 23 | 34- 3 | 7 | 7 | | | |
| 194200-24120 | STUD M12 x 23 | 34- 6 | | | 7 | 7 | |
| 194200-24120 | STUD M12 x 23 | 35- 3 | 7 | | | | |
| 194200-24120 | STUD M12 x 23 | 35- 6 | | | 7 | | |
| 194200-24130 | PACKING, transmission case | 34- 8 | 1 | 1 | 1 | 1 | |
| 194200-24130 | PACKING, transmission case | 35- 8 | 1 | 1 | | | |
| 194200-24140 | NUT M10 | 34- 9 | 10 | 10 | 10 | 10 | |
| 194200-24140 | NUT M10 | 35- 9 | 10 | 10 | | | |
| 194200-24160 | GEAR HOUSING, final reduction | 34- 12 | 1 | 1 | 1 | 1 | |
| 194200-24160 | GEAR HOUSING, final reduction | 35- 12 | 1 | 1 | | | |

- 15 -

NUMERICAL PART NO. LIST

| Part No. | Description | Refer. No. | Qty/Ur | | | | Remarks |
|----------------|-------------------------------|------------|--------|--------|-------|--------|---------|
| | | | YMI55 | YMI55D | YMI35 | YMI35D | |
| 194200-24180 | STUD M12 x 64 | 34- 13 | 4 | 4 | 4 | 4 | |
| 194200-24180 | STUD M12 x 64 | 35- 13 | 4 | 4 | | | |
| 194200-24200 | STUD M10 x 55 | 34- 18 | 2 | 2 | 2 | 2 | |
| 194200-24200 | STUD M10 x 55 | 35- 18 | 2 | 2 | | | |
| 194200-24210-X | COVER, transmission housing | 35- 30 | 1 | 1 | | | |
| 194200-24210-X | COVER, transmission housing | 34- 60 | 1 | 1 | 1 | 1 | |
| 194200-24220 | PACKING, transmission | 34- 31 | 1 | 1 | 1 | 1 | |
| 194200-24220 | PACKING, transmission | 35- 31 | 1 | 1 | | | |
| 194200-24250 | DIPSTICK | 34- 59 | 1 | 1 | 1 | 1 | |
| 194200-24250 | DIPSTICK | 35- 29 | 1 | 1 | | | |
| 194200-24270-X | COVER, complete, P.T.O. shaft | 34- 43 | 1 | 1 | 1 | 1 | |
| 194200-24270-X | COVER, complete, P.T.O. shaft | 35- 43 | 1 | 1 | | | |
| 194200-24300-X | COVER, transmission housing | 35- 28 | 1 | 1 | | | |
| 194200-24300-X | COVER, transmission housing | 34- 56 | 1 | 1 | 1 | 1 | |
| 194200-24360 | PACKING, transmission | 34- 20 | 1 | 1 | 1 | 1 | |
| 194200-24360 | PACKING, transmission | 35- 20 | 1 | 1 | | | |
| 194200-24380 | OIL PLUG 30 | 25- 32 | | | 1 | | |
| 194200-24380 | OIL PLUG 30 | 26- 32 | | | | 1 | |
| 194200-24380 | OIL PLUG 30 | 34- 25 | 1 | 1 | | | |
| 194200-24380 | OIL PLUG 30 | 34- 29 | | | 1 | 1 | |
| 194200-24380 | OIL PLUG 30 | 35- 26 | 1 | 1 | | | |
| 194200-24401 | COVER, transmission housing | 34- 34 | 1 | 1 | 1 | 1 | |
| 194200-24401 | COVER, transmission housing | 35- 34 | 1 | 1 | | | |
| 194200-24410 | PACKING, transmission | 34- 36 | 1 | 1 | 1 | 1 | |
| 194200-24410 | PACKING, transmission | 35- 36 | 1 | 1 | | | |
| 194200-24450 | COVER, transmission housing | 34- 39 | 1 | 1 | 1 | 1 | |
| 194200-24450 | COVER, transmission housing | 35- 39 | 1 | 1 | | | |
| 194200-24460 | PACKING, transmission | 34- 40 | 1 | 1 | 1 | 1 | |
| 194200-24460 | PACKING, transmission | 35- 40 | 1 | 1 | | | |
| 194200-25201 | SHAFT, main | 36- 1 | 1 | 1 | | | |
| 194200-25201 | SHAFT, main | 38- 1 | | | 1 | 1 | |
| 194200-25220 | JOINT, main shaft 30d x 66L | 36- 2 | 1 | 1 | | | |
| 194200-25220 | JOINT, main shaft 30d x 66L | 37- 2 | 1 | 1 | | | |
| 194200-25220 | JOINT, main shaft 30d x 66L | 38- 2 | | | 1 | 1 | |
| 194200-25240 | OIL SEAL TC20357 | 36- 3 | 1 | 1 | | | |
| 194200-25240 | OIL SEAL TC20357 | 37- 3 | 1 | 1 | | | |
| 194200-25240 | OIL SEAL TC20357 | 38- 3 | | | 1 | 1 | |
| 194200-25250 | NEEDLE BEARING 15 x 21 x 12 | 36- 9 | 1 | 1 | | | |
| 194200-25250 | NEEDLE BEARING 15 x 21 x 12 | 38- 9 | | | 1 | 1 | |
| 194200-25260 | BALL BEARING 6205NR | 36- 8 | 1 | 1 | | | |
| 194200-25260 | BALL BEARING 6205NR | 37- 8 | 1 | 1 | | | |
| 194200-25260 | BALL BEARING 6205NR | 38- 8 | | | 1 | 1 | |
| 194200-25270 | SPACER, main shaft 30d x 1.0w | 36- 4 | 1 | 1 | | | |
| 194200-25270 | SPACER, main shaft 30d x 1.0w | 37- 4 | 1 | 1 | | | |
| 194200-25270 | SPACER, main shaft 30d x 1.0w | 38- 4 | | | 1 | 1 | |

NUMERICAL PART NO. LIST

| Part No. | Description | Refer. No. | Qty/Unit | | | | Remarks |
|--------------|-------------------------------|------------|----------|--------|-------|--------|---------|
| | | | YMI55 | YMI55D | YMI35 | YMI35D | |
| 194200-25280 | LINER 18 x 30 x 1 | 36- 12 | 1 | 1 | | | |
| 194200-25280 | LINER 18 x 30 x 1 | 37- 12 | 1 | 1 | | | |
| 194200-25280 | LINER 18 x 30 x 1 | 38- 12 | | | 1 | 1 | |
| 194200-25301 | SHAFT, driven 24.667d x 169L | 36- 11 | 1 | 1 | | | |
| 194200-25301 | SHAFT, driven 24.667d x 169L | 38- 11 | | | 1 | 1 | |
| 194200-25310 | GEAR 26, driven | 36- 13 | 1 | 1 | | | |
| 194200-25310 | GEAR 26, driven | 38- 13 | | | 1 | 1 | |
| 194200-25320 | GEAR 12, driven 45d x 18.35id | 36- 14 | 1 | 1 | | | |
| 194200-25320 | GEAR 12, driven 45d x 18.35id | 38- 14 | | | 1 | 1 | |
| 194200-25331 | COLLAR 21.4 x 32 x 25 | 36- 15 | 1 | 1 | | | |
| 194200-25331 | COLLAR 21.4 x 32 x 25 | 38- 15 | | | 1 | 1 | |
| 194200-25340 | GEAR 21, driven 68.7d x 11w | 36- 16 | 1 | 1 | | | |
| 194200-25340 | GEAR 21, driven 68.7d x 11w | 38- 16 | | | 1 | 1 | |
| 194200-25350 | COLLAR 25 x 32 x 30 | 36- 17 | 1 | 1 | | | |
| 194200-25350 | COLLAR 25 x 32 x 30 | 38- 17 | | | 1 | 1 | |
| 194200-25370 | LINER 20 x 32 x 2 | 36- 19 | 1 | 1 | | | |
| 194200-25370 | LINER 20 x 32 x 2 | 38- 19 | | | 1 | 1 | |
| 194200-25380 | COLLAR 20 x 26 x 39.5 | 36- 20 | 1 | 1 | | | |
| 194200-25380 | COLLAR 20 x 26 x 39.5 | 38- 20 | | | 1 | 1 | |
| 194200-25400 | SHAFT, main change 40d x 154L | 36- 25 | 1 | 1 | | | |
| 194200-25400 | SHAFT, main change 40d x 154L | 38- 25 | | | 1 | 1 | |
| 194200-25410 | GEAR 26, 1st/reverse sliding | 36- 26 | 1 | 1 | | | |
| 194200-25410 | GEAR 26, 1st/reverse sliding | 38- 26 | | | 1 | 1 | |
| 194200-25430 | GEAR 31, main 82.3d x 16w | 36- 29 | 1 | 1 | | | |
| 194200-25430 | GEAR 31, main 82.3d x 16w | 38- 29 | | | 1 | 1 | |
| 194200-25440 | COLLAR 25 x 30 x 13 | 36- 30 | 1 | 1 | | | |
| 194200-25440 | COLLAR 25 x 30 x 13 | 37- 30 | 1 | 1 | | | |
| 194200-25440 | COLLAR 25 x 30 x 13 | 38- 30 | | | 1 | 1 | |
| 194200-25450 | LINER 15.5 x 28 x 1 | 36- 31 | 1 | 1 | | | |
| 194200-25450 | LINER 15.5 x 28 x 1 | 37- 31 | 1 | 1 | | | |
| 194200-25450 | LINER 15.5 x 28 x 1 | 38- 31 | | | 1 | 1 | |
| 194200-25460 | SHIM 22, driven shaft | 36- 23 | - | - | | | |
| 194200-25460 | SHIM 22, driven shaft | 38- 23 | | | - | - | |
| 194200-25470 | SHIM 25, driven shaft | 36- 24 | - | - | | | |
| 194200-25470 | SHIM 25, driven shaft | 37- 24 | - | - | | | |
| 194200-25470 | SHIM 25, driven shaft | 38- 24 | | | - | - | |
| 194200-25500 | COUNTER SHAFT | 36- 33 | 1 | 1 | | | |
| 194200-25500 | COUNTER SHAFT | 37- 33 | 1 | 1 | | | |
| 194200-25500 | COUNTER SHAFT | 38- 33 | | | 1 | 1 | |
| 194200-25510 | COLLAR 21 x 27 x 36.5 | 36- 34 | 1 | 1 | | | |
| 194200-25510 | COLLAR 21 x 27 x 36.5 | 37- 34 | 1 | 1 | | | |
| 194200-25510 | COLLAR 21 x 27 x 36.5 | 38- 34 | | | 1 | 1 | |
| 194200-25520 | METAL 20 x 25 x 22 | 36- 36 | 1 | 1 | | | |
| 194200-25520 | METAL 20 x 25 x 22 | 37- 36 | 1 | 1 | | | |
| 194200-25520 | METAL 20 x 25 x 22 | 38- 36 | | | 1 | 1 | |

NUMERICAL PART NO. LIST

| Part No. | Description | Refer. No. | Qty/Unit | | | | Remarks |
|----------------|-----------------------------|------------|----------|--------|-------|--------|---------|
| | | | YMI55 | YMI55D | YMI35 | YMI35D | |
| 194200-25530 | GEAR 13/18, reverse | 36- 37 | 1 | 1 | | | |
| 194200-25530 | GEAR 13/18, reverse | 38- 37 | | | 1 | 1 | |
| 194200-25550 | GEAR 16, low-hi sliding | 36- 41 | 1 | 1 | | | |
| 194200-25550 | GEAR 16, low-hi sliding | 37- 41 | 1 | 1 | | | |
| 194200-25550 | GEAR 16, low-hi sliding | 38- 41 | | | 1 | 1 | |
| 194200-25560 | LINER 25 x 33 x 1.6 | 36- 42 | 2 | 2 | | | |
| 194200-25560 | LINER 25 x 33 x 1.6 | 36- 61 | 3 | 3 | | | |
| 194200-25560 | LINER 25 x 33 x 1.6 | 37- 42 | 2 | 2 | | | |
| 194200-25560 | LINER 25 x 33 x 1.6 | 37- 61 | 3 | 3 | | | |
| 194200-25560 | LINER 25 x 33 x 1.6 | 38- 42 | | | 2 | 2 | |
| 194200-25560 | LINER 25 x 33 x 1.6 | 38- 61 | | | 3 | 3 | |
| 194200-25570 | BALL BEARING 7204, angular | 36- 44 | 1 | 1 | | | |
| 194200-25570 | BALL BEARING 7204, angular | 37- 44 | 1 | 1 | | | |
| 194200-25570 | BALL BEARING 7204, angular | 38- 44 | | | 1 | 1 | |
| 194200-25581 | BALL BEARING, | 36- 45 | 1 | 1 | | | |
| 194200-25581 | BALL BEARING, | 37- 45 | 1 | 1 | | | |
| 194200-25581 | BALL BEARING, | 38- 45 | | | 1 | 1 | |
| 194200-25590 | SHIM 0.1, counter shaft | 36- 46 | - | - | | | |
| 194200-25590 | SHIM 0.1, counter shaft | 37- 46 | - | - | | | |
| 194200-25590 | SHIM 0.1, counter shaft | 38- 46 | - | - | | | |
| 194200-25600 | SHIM 0.3, counter shaft | 36- 47 | - | - | | | |
| 194200-25600 | SHIM 0.3, counter shaft | 37- 47 | - | - | | | |
| 194200-25600 | SHIM 0.3, counter shaft | 38- 47 | | | - | - | |
| 194200-25610 | COLLAR 25 x 32 x 9 | 36- 38 | 1 | | | | |
| 194200-25610 | COLLAR 25 x 32 x 9 | 37- 38 | 1 | | | | |
| 194200-25610 | COLLAR 25 x 32 x 9 | 38- 38 | | | 1 | | |
| 194200-25810 | GEAR 34, low-hi reduction | 36- 43 | 1 | 1 | | | |
| 194200-25810 | GEAR 34, low-hi reduction | 37- 43 | 1 | 1 | | | |
| 194200-25810 | GEAR 34, low-hi reduction | 38- 43 | | | 1 | 1 | |
| 194200-26241 | GEAR 25 | 36- 78 | 1 | 1 | | | |
| 194200-26241 | GEAR 25 | 38- 78 | | | 1 | 1 | |
| 194200-26320 | JOINT, P.T.O. driving shaft | 36- 57 | 1 | 1 | | | |
| 194200-26320 | JOINT, P.T.O. driving shaft | 37- 57 | 1 | 1 | | | |
| 194200-26320 | JOINT, P.T.O. driving shaft | 38- 57 | | | 1 | 1 | |
| 194200-26331 | COLLAR 25 x 32 x 32.2 | 36- 65 | 1 | 1 | | | |
| 194200-26331 | COLLAR 25 x 32 x 32.2 | 38- 65 | | | 1 | 1 | |
| 194200-26410 | SHAFT, P.T.O. | 37- 77 | 1 | 1 | | | |
| 194200-26450 | COLLAR 30.5 x 37.5 x 20.5 | 36- 79 | 1 | 1 | | | |
| 194200-26450 | COLLAR 30.5 x 37.5 x 20.5 | 37- 79 | 1 | 1 | | | |
| 194200-26450 | COLLAR 30.5 x 37.5 x 20.5 | 38- 79 | | | 1 | 1 | |
| 194200-26460 | SEAL COLLAR 30 x 40 x 15 | 36- 80 | 1 | 1 | | | |
| 194200-26460 | SEAL COLLAR 30 x 40 x 15 | 37- 80 | 1 | 1 | | | |
| 194200-26460 | SEAL COLLAR 30 x 40 x 15 | 38- 80 | | | 1 | 1 | |
| 194200-27110-X | LEVER, main change | 40- 1 | | | 1 | 1 | |
| 194200-27110-X | LEVER, main change | 39- 1 | 1 | 1 | | | |

NUMERICAL PART NO. LIST

| Part No. | Description | Refer. No. | Q'ty/Unit | | | | Remarks |
|----------------|-------------------------------|------------|-----------|--------|-------|--------|---------|
| | | | YMI55 | YMI55D | YMI35 | YMI35D | |
| 194200-27140 | KNOB w/LABEL, | 39- 2 | 1 | 1 | | | |
| 194200-27140 | KNOB w/LABEL, | 40- 2 | | | 1 | 1 | |
| 194200-27150 | KNOB, main change lever | 39- 3 | 1 | 1 | | | |
| 194200-27150 | KNOB, main change lever | 40- 3 | | | 1 | 1 | |
| 194200-27160 | SPRING, change lever | 39- 9 | 1 | 1 | | | |
| 194200-27160 | SPRING, change lever | 40- 9 | | | 1 | 1 | |
| 194200-27181 | GUIDE, safety | 39- 13 | 1 | 1 | | | |
| 194200-27181 | GUIDE, safety | 40- 13 | | | 1 | 1 | |
| 194200-27310 | FORK, reverse/1st speed shift | 39- 14 | 1 | 1 | | | |
| 194200-27310 | FORK, reverse/1st speed shift | 40- 14 | | | 1 | 1 | |
| 194200-27320 | FORK, 2nd/3rd speed shift | 39- 15 | 1 | 1 | | | |
| 194200-27320 | FORK, 2nd/3rd speed shift | 40- 15 | | | 1 | 1 | |
| 194200-27330 | SPRING, shift fork | 39- 19 | 2 | 2 | | | |
| 194200-27330 | SPRING, shift fork | 39- 45 | | 1 | | | |
| 194200-27330 | SPRING, shift fork | 39- 56 | 1 | 1 | | | |
| 194200-27330 | SPRING, shift fork | 40- 19 | | | 2 | 2 | |
| 194200-27330 | SPRING, shift fork | 40- 45 | | | | 1 | |
| 194200-27330 | SPRING, shift fork | 40- 56 | | | 1 | 1 | |
| 194200-27350 | SHAFT, reverse/1st fork | 39- 16 | 1 | 1 | | | |
| 194200-27350 | SHAFT, reverse/1st fork | 40- 16 | | | 1 | 1 | |
| 194200-27360 | SHAFT, 2nd/3rd fork | 39- 17 | 1 | 1 | | | |
| 194200-27360 | SHAFT, 2nd/3rd fork | 40- 17 | | | 1 | 1 | |
| 194200-27510 | LEVER, low-hi change | 39- 23 | 2 | 2 | | | |
| 194200-27510 | LEVER, low-hi change | 40- 23 | | | 2 | 2 | |
| 194200-27510-X | LEVER, low-hi change | 39- 23 | 2 | 2 | | | |
| 194200-27510-X | LEVER, low-hi change | 40- 23 | | | 2 | 2 | |
| 194200-27600 | SHAFT, low-hi fork | 39- 26 | 1 | 1 | | | |
| 194200-27600 | SHAFT, low-hi fork | 40- 26 | | | 1 | 1 | |
| 194200-27610 | FORK, low-hi shift | 39- 27 | 1 | 1 | | | |
| 194200-27610 | FORK, low-hi shift | 40- 27 | | | 1 | 1 | |
| 194200-27620 | SPRING, low-hi shift fork | 39- 30 | 1 | 1 | | | |
| 194200-27620 | SPRING, low-hi shift fork | 40- 30 | | | 1 | 1 | |
| 194200-27630 | SPRING WASHER, shift fork | 39- 33 | 1 | 1 | | | |
| 194200-27630 | SPRING WASHER, shift fork | 39- 59 | 1 | 1 | | | |
| 194200-27630 | SPRING WASHER, shift fork | 40- 33 | | | 1 | 1 | |
| 194200-27630 | SPRING WASHER, shift fork | 40- 59 | | | 1 | 1 | |
| 194200-27650 | SHIFTER, low-hi change | 39- 34 | 1 | 1 | | | |
| 194200-27650 | SHIFTER, low-hi change | 40- 34 | | | 1 | 1 | |
| 194200-27680 | STOPPER, shifter | 39- 35 | 1 | 1 | | | |
| 194200-27680 | STOPPER, shifter | 39- 49 | | 1 | | | |
| 194200-27680 | STOPPER, shifter | 40- 35 | | | 1 | 1 | |
| 194200-27680 | STOPPER, shifter | 40- 49 | | | | 1 | |
| 194200-27830 | SHAFT, P.T.O. fork | 39- 53 | 1 | 1 | | | |
| 194200-27830 | SHAFT, P.T.O. fork | 40- 53 | | | 1 | 1 | |
| 194200-27840 | FORK, P.T.O. shift | 39- 54 | 1 | 1 | | | |

- 17 -

NUMERICAL PART NO. LIST

| Part No. | Description | Refer. No. | Q'ty/Unit | | | | Remarks |
|--------------|-----------------------------|------------|-----------|--------|-------|--------|---------|
| | | | YMI55 | YMI55D | YMI35 | YMI35D | |
| 194200-27840 | FORK, P.T.O. shift | 40- 54 | | | 1 | 1 | |
| 194200-27860 | SHIFTER, P.T.O. change | 39- 60 | 1 | 1 | | | |
| 194200-27860 | SHIFTER, P.T.O. change | 40- 60 | | | 1 | 1 | |
| 194200-27890 | GUIDE w/LABEL, | 39- 61 | 1 | 1 | | | |
| 194200-27890 | GUIDE w/LABEL, | 40- 61 | | | 1 | 1 | |
| 194200-27900 | GUIDE, P.T.O. change lever | 39- 62 | 1 | 1 | | | |
| 194200-27900 | GUIDE, P.T.O. change lever | 40- 62 | | | 1 | 1 | |
| 194200-31850 | SPACER 0.9, differential | 27- 41 | - | - | - | - | |
| 194200-31850 | SPACER 0.9, differential | 41- 6 | - | - | - | - | |
| 194200-31850 | SPACER 0.9, differential | 43- 6 | - | - | - | - | |
| 194200-31851 | SPACER 0.9, differential | 27- 41 | - | - | - | - | |
| 194200-31851 | SPACER 0.9, differential | 41- 6 | - | - | - | - | |
| 194200-31851 | SPACER 0.9, differential | 42- 6 | - | - | - | - | |
| 194200-31851 | SPACER 0.9, differential | 43- 6 | - | - | - | - | |
| 194200-31860 | SPACER 1.0, differential | 27- 42 | - | - | - | - | |
| 194200-31860 | SPACER 1.0, differential | 41- 7 | - | - | - | - | |
| 194200-31860 | SPACER 1.0, differential | 43- 7 | - | - | - | - | |
| 194200-31861 | SPACER 1.0, differential | 27- 42 | - | - | - | - | |
| 194200-31861 | SPACER 1.0, differential | 41- 7 | - | - | - | - | |
| 194200-31861 | SPACER 1.0, differential | 42- 7 | - | - | - | - | |
| 194200-31861 | SPACER 1.0, differential | 43- 7 | - | - | - | - | |
| 194200-31870 | SPACER 1.1, differential | 27- 43 | - | - | - | - | |
| 194200-31870 | SPACER 1.1, differential | 41- 8 | - | - | - | - | |
| 194200-31870 | SPACER 1.1, differential | 43- 8 | - | - | - | - | |
| 194200-31871 | SPACER 1.1, differential | 27- 43 | - | - | - | - | |
| 194200-31871 | SPACER 1.1, differential | 41- 8 | - | - | - | - | |
| 194200-31871 | SPACER 1.1, differential | 42- 8 | - | - | - | - | |
| 194200-31871 | SPACER 1.1, differential | 43- 8 | - | - | - | - | |
| 194200-31880 | SPACER 1.2, differential | 27- 44 | - | - | - | - | |
| 194200-31880 | SPACER 1.2, differential | 41- 9 | - | - | - | - | |
| 194200-31880 | SPACER 1.2, differential | 43- 9 | - | - | - | - | |
| 194200-31881 | SPACER 1.2, differential | 27- 44 | - | - | - | - | |
| 194200-31881 | SPACER 1.2, differential | 41- 9 | - | - | - | - | |
| 194200-31881 | SPACER 1.2, differential | 42- 9 | - | - | - | - | |
| 194200-31881 | SPACER 1.2, differential | 43- 9 | - | - | - | - | |
| 194200-31900 | THRUST COLLAR, differential | 27- 45 | | | 1 | 1 | |
| 194200-31900 | THRUST COLLAR, differential | 41- 10 | 1 | 1 | | | |
| 194200-31900 | THRUST COLLAR, differential | 43- 10 | | | 1 | 1 | |
| 194200-31901 | THRUST COLLAR, differential | 27- 45 | | | 1 | 1 | |
| 194200-31901 | THRUST COLLAR, differential | 41- 10 | 1 | 1 | | | |
| 194200-31901 | THRUST COLLAR, differential | 42- 10 | 1 | 1 | | | |
| 194200-31901 | THRUST COLLAR, differential | 43- 10 | | | 1 | 1 | |
| 194200-31910 | LINER 22.5 x 30 x 1 | 27- 46 | | | 2 | 2 | |
| 194200-31910 | LINER 22.5 x 30 x 1 | 41- 11 | 2 | 2 | | | |
| 194200-31910 | LINER 22.5 x 30 x 1 | 41- 29 | 2 | 2 | | | |

NUMERICAL PART NO. LIST

NUMERICAL PART NO. LIST

| Part No. | Description | Refer. No. | Q'ty/Unit | | | | Remarks |
|--------------|-----------------------------|------------|-----------|--------|-------|--------|---------|
| | | | YMI55 | YMI55D | YMI35 | YMI35D | |
| 194200-31910 | LINER 22.5 x 30 x 1 | 42- 11 | 2 | 2 | | | |
| 194200-31910 | LINER 22.5 x 30 x 1 | 42- 29 | 2 | 2 | | | |
| 194200-31910 | LINER 22.5 x 30 x 1 | 43- 11 | | | 2 | 2 | |
| 194200-31910 | LINER 22.5 x 30 x 1 | 43- 29 | | | 2 | 2 | |
| 194200-31940 | PIN 4, differential lock | 27- 47 | 1 | | | 1 | |
| 194200-31940 | PIN 4, differential lock | 41- 12 | 1 | 1 | | | |
| 194200-31940 | PIN 4, differential lock | 42- 12 | 1 | 1 | | | |
| 194200-31940 | PIN 4, differential lock | 43- 12 | | | 1 | 1 | |
| 194200-32100 | GEAR 38, spiral ring | 27- 75 | 1 | | | 1 | |
| 194200-32100 | GEAR 38, spiral ring | 41- 63 | 1 | 1 | | | |
| 194200-32100 | GEAR 38, spiral ring | 42- 60 | 1 | 1 | | | |
| 194200-32100 | GEAR 38, spiral ring | 43- 63 | | | 1 | 1 | |
| 194200-32110 | WIRE 0.8 x 180 | 27- 50 | 1 | | | 1 | |
| 194200-32110 | WIRE 0.8 x 180 | 27- 50 | 1 | | | 1 | |
| 194200-32110 | WIRE 0.8 x 180 | 41- 15 | 1 | 1 | | | |
| 194200-32110 | WIRE 0.8 x 180 | 41- 15 | 1 | 1 | | | |
| 194200-32110 | WIRE 0.8 x 180 | 43- 15 | | | 1 | 1 | |
| 194200-32110 | WIRE 0.8 x 180 | 43- 15 | | | 1 | 1 | |
| 194200-32250 | CASE, differential bearing | 41- 17 | 1 | 1 | | | |
| 194200-32250 | CASE, differential bearing | 42- 17 | 1 | 1 | | | |
| 194200-32250 | CASE, differential bearing | 43- 17 | | | 1 | 1 | |
| 194200-32300 | SHIM 0.1, differential case | 41- 18 | - | - | | | |
| 194200-32300 | SHIM 0.1, differential case | 42- 18 | - | - | | | |
| 194200-32300 | SHIM 0.1, differential case | 43- 18 | - | - | | | |
| 194200-32310 | SHIM 0.3, differential case | 41- 19 | - | - | | | |
| 194200-32310 | SHIM 0.3, differential case | 42- 19 | - | - | | | |
| 194200-32310 | SHIM 0.3, differential case | 43- 19 | - | - | | | |
| 194200-32330 | SHIM 72 x 0.1 | 27- 51 | - | - | | | |
| 194200-32330 | SHIM 72 x 0.1 | 41- 20 | - | - | | | |
| 194200-32330 | SHIM 72 x 0.1 | 42- 20 | - | - | | | |
| 194200-32330 | SHIM 72 x 0.1 | 43- 20 | - | - | | | |
| 194200-32340 | SHIM 72 x 0.3 | 27- 52 | - | - | | | |
| 194200-32340 | SHIM 72 x 0.3 | 41- 21 | - | - | | | |
| 194200-32340 | SHIM 72 x 0.3 | 42- 21 | - | - | | | |
| 194200-32340 | SHIM 72 x 0.3 | 43- 21 | - | - | | | |
| 194200-32370 | STOPPER, bearing case | 41- 22 | 1 | 1 | | | |
| 194200-32370 | STOPPER, bearing case | 42- 22 | 1 | 1 | | | |
| 194200-32370 | STOPPER, bearing case | 43- 22 | | | 1 | 1 | |
| 194200-32461 | METAL 22 x 27 x 22.5 | 41- 24 | 2 | 2 | | | |
| 194200-32461 | METAL 22 x 27 x 22.5 | 42- 24 | 2 | 2 | | | |
| 194200-32461 | METAL 22 x 27 x 22.5 | 43- 24 | | | 2 | 2 | |
| 194200-32510 | PIPE 6 x 40, beathing | 41- 34 | 2 | 2 | | | |
| 194200-32510 | PIPE 6 x 40, beathing | 41- 38 | 2 | 2 | | | |
| 194200-32510 | PIPE 6 x 40, beathing | 42- 34 | 2 | 2 | | | |
| 194200-32510 | PIPE 6 x 40, beathing | 42- 38 | 2 | 2 | | | |

| Part No. | Description | Refer. No. | Q'ty/Unit | | | | Remarks |
|--------------|-----------------------------|------------|-----------|--------|-------|--------|---------|
| | | | YMI55 | YMI55D | YMI35 | YMI35D | |
| 194200-32510 | PIPE 6 x 40, beathing | 43- 34 | | | 2 | 2 | |
| 194200-32510 | PIPE 6 x 40, beathing | 43- 38 | | | 2 | 2 | |
| 194200-32630 | STUD M8 x 17 | 41- 33 | 8 | 8 | | | |
| 194200-32630 | STUD M8 x 17 | 41- 37 | 8 | 8 | | | |
| 194200-32630 | STUD M8 x 17 | 43- 33 | | | 8 | 8 | |
| 194200-32630 | STUD M8 x 17 | 43- 37 | | | 8 | 8 | |
| 194200-32640 | PACKING, rear axle housing | 41- 41 | 2 | 2 | | | |
| 194200-32640 | PACKING, rear axle housing | 42- 41 | 2 | 2 | | | |
| 194200-32640 | PACKING, rear axle housing | 43- 41 | | | 2 | 2 | |
| 194200-32660 | COVER, rear axle housing | 41- 45 | 1 | 1 | | | |
| 194200-32660 | COVER, rear axle housing | 43- 45 | | | 1 | 1 | |
| 194200-32670 | PACKING, rear axle housing | 41- 46 | 1 | 1 | | | |
| 194200-32670 | PACKING, rear axle housing | 43- 46 | | | 1 | 1 | |
| 194200-32670 | PACKING, rear axle housing | 44- 2 | 1 | 1 | | | |
| 194200-32670 | PACKING, rear axle housing | 45- 2 | 1 | 1 | | | |
| 194200-32670 | PACKING, rear axle housing | 46- 2 | | | 1 | 1 | |
| 194200-33411 | PINION (L), final reduction | 41- 27 | 1 | 1 | | | |
| 194200-33411 | PINION (L), final reduction | 43- 27 | | | 1 | 1 | |
| 194200-33421 | PINION (R), final reduction | 41- 28 | 1 | 1 | | | |
| 194200-33451 | SEAL COLLAR 25 x 35 x 11 | 41- 49 | 2 | 2 | | | |
| 194200-33451 | SEAL COLLAR 25 x 35 x 11 | 42- 49 | 2 | 2 | | | |
| 194200-33451 | SEAL COLLAR 25 x 35 x 11 | 43- 49 | | | 2 | 2 | |
| 194200-33460 | OIL SEAL TC 35 50 8 | 41- 50 | 2 | 2 | | | |
| 194200-33460 | OIL SEAL TC 35 50 8 | 42- 50 | 2 | 2 | | | |
| 194200-33460 | OIL SEAL TC 35 50 8 | 43- 50 | | | 2 | 2 | |
| 194200-34132 | SHAFT, rear axle | 41- 52 | 2 | 2 | | | |
| 194200-34132 | SHAFT, rear axle | 42- 52 | 2 | 2 | | | |
| 194200-34140 | GEAR 52, final reduction | 41- 53 | 2 | 2 | | | |
| 194200-34140 | GEAR 52, final reduction | 42- 53 | 2 | 2 | | | |
| 194200-34200 | BALL BEARING 45 x 80 x 18 | 41- 58 | 2 | 2 | | | |
| 194200-34200 | BALL BEARING 45 x 80 x 18 | 42- 48 | 2 | 2 | | | |
| 194200-34200 | BALL BEARING 45 x 80 x 18 | 43- 58 | | | 2 | 2 | |
| 194200-34360 | COLLAR 30.2 x 45 x 10 | 41- 54 | 2 | 2 | | | |
| 194200-34360 | COLLAR 30.2 x 45 x 10 | 42- 54 | 2 | 2 | | | |
| 194200-34360 | COLLAR 30.2 x 45 x 10 | 43- 54 | | | 2 | 2 | |
| 194200-34371 | COLLAR 40 x 50 x 39 | 41- 55 | 2 | 2 | | | |
| 194200-34371 | COLLAR 40 x 50 x 39 | 42- 55 | 2 | 2 | | | |
| 194200-34371 | COLLAR 40 x 50 x 39 | 43- 55 | | | 2 | 2 | |
| 194200-34382 | SLEEVE 45 x 50 x 20 | 41- 56 | 2 | 2 | | | |
| 194200-34382 | SLEEVE 45 x 50 x 20 | 43- 56 | | | 2 | 2 | |
| 194200-34390 | WASHER, rear axle shaft | 41- 60 | 2 | 2 | | | |
| 194200-34390 | WASHER, rear axle shaft | 42- 45 | 2 | 2 | | | |
| 194200-34390 | WASHER, rear axle shaft | 43- 60 | | | 2 | 2 | |
| 194200-34400 | LOCKING 46 | 41- 61 | 2 | 2 | | | |
| 194200-34400 | LOCKING 46 | 42- 46 | 2 | 2 | | | |

NUMERICAL PART NO. LIST

| Part No. | Description | Refer. No. | Q'ty/Unit | | | | Remarks |
|----------------|-----------------------------|------------|-----------|--------|-------|--------|---------|
| | | | YMI55 | YMI55D | YMI35 | YMI35D | |
| 194200-34400 | LOCKING 46 | 43- 61 | | | 2 | 2 | |
| 194200-34411 | OIL SEAL TC 50 70 10 | 41- 59 | 2 | 2 | | | |
| 194200-34411 | OIL SEAL TC 50 70 10 | 43- 59 | | | 2 | 2 | |
| 194200-34412 | OIL SEAL TC 45 70 12 | 41- 59 | 2 | 2 | | | |
| 194200-34412 | OIL SEAL TC 45 70 12 | 42- 56 | 2 | 2 | | | |
| 194200-34412 | OIL SEAL TC 45 70 12 | 43- 59 | | | 2 | 2 | |
| 194200-34711 | HUB, rear wheel | 50- 27 | 1 | | | | |
| 194200-34711 | HUB, rear wheel | 51- 24 | | 2 | | | |
| 194200-34711 | HUB, rear wheel | 52- 27 | 1 | | | | |
| 194200-34711 | HUB, rear wheel | 53- 24 | | 2 | | | |
| 194200-34711 | HUB, rear wheel | 54- 27 | | | 2 | | |
| 194200-34711 | HUB, rear wheel | 55- 24 | | | 2 | | |
| 194200-34711 | HUB, rear wheel | 56- 27 | | | 2 | | |
| 194200-34711 | HUB, rear wheel | 57- 24 | | | 2 | | |
| 194200-34750 | PIN 10 x 78, rear wheel hub | 50- 30 | 2 | | | | |
| 194200-34750 | PIN 10 x 78, rear wheel hub | 51- 27 | | 2 | | | |
| 194200-34750 | PIN 10 x 78, rear wheel hub | 52- 30 | 2 | | | | |
| 194200-34750 | PIN 10 x 78, rear wheel hub | 53- 27 | | 2 | | | |
| 194200-34750 | PIN 10 x 78, rear wheel hub | 54- 30 | | | 2 | | |
| 194200-34750 | PIN 10 x 78, rear wheel hub | 55- 27 | | | 2 | | |
| 194200-34750 | PIN 10 x 78, rear wheel hub | 56- 30 | | | 2 | | |
| 194200-34750 | PIN 10 x 78, rear wheel hub | 57- 27 | | | 2 | | |
| 194200-34950 | TUBE, tire | 50- 20 | 1 | | | | |
| 194200-34950 | TUBE, tire | 50- 25 | 1 | | | | |
| 194200-34950 | TUBE, tire | 51- 17 | | 1 | | | |
| 194200-34950 | TUBE, tire | 51- 22 | | 1 | | | |
| 194200-34950 | TUBE, tire | 52- 20 | 1 | | | | |
| 194200-34950 | TUBE, tire | 52- 25 | 1 | | | | |
| 194200-34950 | TUBE, tire | 53- 17 | | 1 | | | |
| 194200-34950 | TUBE, tire | 53- 22 | | 1 | | | |
| 194200-34950 | TUBE, tire | 54- 20 | | | 1 | | |
| 194200-34950 | TUBE, tire | 54- 25 | | | 1 | | |
| 194200-34950 | TUBE, tire | 91- 9 | 2 | 2 | | | |
| 194200-34950 | TUBE, tire | 92- 9 | 2 | 2 | | | |
| 194200-34960-Q | WHEEL, disc | 52- 21 | 1 | | | | |
| 194200-34960-Q | WHEEL, disc | 52- 26 | 1 | | | | |
| 194200-34960-Q | WHEEL, disc | 53- 18 | | 1 | | | |
| 194200-34960-Q | WHEEL, disc | 53- 23 | | 1 | | | |
| 194200-34960-P | WHEEL, disc | 54- 21 | | | 1 | | |
| 194200-34960-P | WHEEL, disc | 56- 21 | | | 1 | | |
| 194200-34960-P | WHEEL, disc | 56- 26 | | | 1 | | |
| 194200-34960-P | WHEEL, disc | 57- 18 | | | 2 | | |
| 194200-34960-P | WHEEL, disc | 57- 23 | | | 2 | | |
| 194200-34960-Q | WHEEL, disc | 91- 10 | 2 | 2 | | | |
| 194200-34960-Q | WHEEL, disc | 92- 10 | 2 | 2 | | | |

NUMERICAL PART NO. LIST

| Part No. | Description | Refer. No. | Q'ty/Unit | | | | Remarks |
|----------------|-------------------------------|------------|-----------|--------|-------|--------|---------|
| | | | YMI55 | YMI55D | YMI35 | YMI35D | |
| 194200-34960-P | WHEEL, disc | 50- 21 | 1 | | | | |
| 194200-34960-P | WHEEL, disc | 50- 26 | 1 | | | | |
| 194200-34960-P | WHEEL, disc | 51- 18 | | 1 | | | |
| 194200-34960-P | WHEEL, disc | 51- 23 | | 1 | | | |
| 194200-34960-P | WHEEL, disc | 54- 26 | | | 1 | | |
| 194200-34960-P | WHEEL, disc | 55- 18 | | | | 2 | |
| 194200-34960-P | WHEEL, disc | 55- 23 | | | | 2 | |
| 194200-34960-Q | WHEEL, disc | 50- 21 | 1 | | | | |
| 194200-34960-Q | WHEEL, disc | 50- 26 | 1 | | | | |
| 194200-34960-Q | WHEEL, disc | 51- 18 | | 1 | | | |
| 194200-34960-Q | WHEEL, disc | 51- 23 | | 1 | | | |
| 194200-35100 | COVER, differential lock cam | 44- 1 | 1 | 1 | | | |
| 194200-35100 | COVER, differential lock cam | 45- 1 | 1 | 1 | | | |
| 194200-35100 | COVER, differential lock cam | 46- 1 | | | 1 | 1 | |
| 194200-35130-X | CAM, differential lock | 45- 6 | 1 | 1 | | | |
| 194200-35130-X | CAM, differential lock | 46- 6 | | | 1 | 1 | |
| 194200-35130-X | CAM, differential lock | 44- 6 | 1 | 1 | | | |
| 194200-35180 | BOOT, cam cover | 44- 7 | 1 | 1 | | | |
| 194200-35180 | BOOT, cam cover | 45- 7 | 1 | 1 | | | |
| 194200-35180 | BOOT, cam cover | 46- 7 | | | 1 | 1 | |
| 194200-35250 | SHAFT, differential lock | 44- 8 | 1 | 1 | | | |
| 194200-35250 | SHAFT, differential lock | 45- 8 | 1 | 1 | | | |
| 194200-35250 | SHAFT, differential lock | 46- 8 | | | 1 | 1 | |
| 194200-35271 | CLUTCH, differential lock | 44- 9 | 1 | 1 | | | |
| 194200-35271 | CLUTCH, differential lock | 46- 9 | | | 1 | 1 | |
| 194200-35280 | GEAR 14, differential lock | 44- 10 | 1 | 1 | | | |
| 194200-35281 | GEAR 14, differential lock | 44- 10 | 1 | 1 | | | |
| 194200-35281 | GEAR 14, differential lock | 45- 10 | 1 | 1 | | | |
| 194200-35290 | GEAR 14, differential lock | 44- 11 | 1 | 1 | | | |
| 194200-35291 | GEAR 14, differential lock | 44- 11 | 1 | 1 | | | |
| 194200-35291 | GEAR 14, differential lock | 45- 11 | 1 | 1 | | | |
| 194200-35310 | SPRING, differential lock | 44- 12 | 1 | 1 | | | |
| 194200-35310 | SPRING, differential lock | 45- 12 | 1 | 1 | | | |
| 194200-35310 | SPRING, differential lock | 46- 12 | | | 1 | 1 | |
| 194200-35320 | RING, differential lock shaft | 36- 73 | 1 | 1 | | | |
| 194200-35320 | RING, differential lock shaft | 37- 73 | 1 | 1 | | | |
| 194200-35320 | RING, differential lock shaft | 38- 73 | | | 1 | 1 | |
| 194200-35320 | RING, differential lock shaft | 44- 13 | 1 | 1 | | | |
| 194200-35320 | RING, differential lock shaft | 45- 13 | 1 | 1 | | | |
| 194200-35320 | RING, differential lock shaft | 46- 13 | | | 1 | 1 | |
| 194200-35330 | RING, differential lock | 44- 31 | 1 | 1 | | | |
| 194200-35330 | RING, differential lock | 45- 16 | 1 | 1 | | | |
| 194200-35330 | RING, differential lock | 46- 31 | | | 1 | 1 | |
| 194200-35340 | LINER 30.5 x 46 x 1.5 | 44- 14 | 1 | 1 | | | |
| 194200-35340 | LINER 30.5 x 46 x 1.5 | 45- 14 | 1 | 1 | | | |

NUMERICAL PART NO. LIST

NUMERICAL PART NO. LIST

| Part No. | Description | Refer. No. | Q'ty/Unit | | | | Remarks |
|----------------|------------------------------|------------|-----------|--------|-------|--------|---------|
| | | | YMI55 | YMI55D | YMI35 | YMI35D | |
| 194200-35340 | LINER 30.5 x 46 x 1.5 | 46- 14 | | | 1 | 1 | |
| 194200-35350 | LINER 20.5 x 29 x 1.5 | 44- 15 | 2 | 2 | | | |
| 194200-35350 | LINER 20.5 x 29 x 1.5 | 45- 15 | 2 | 2 | | | |
| 194200-35350 | LINER 20.5 x 29 x 1.5 | 46- 15 | | | 2 | 2 | |
| 194200-35400-X | PEDAL, differential lock | 45- 19 | 1 | 1 | | | |
| 194200-35400-X | PEDAL, differential lock | 46- 19 | | | 1 | 1 | |
| 194200-35400-X | PEDAL, differential lock | 44- 19 | 1 | 1 | | | |
| 194200-35470 | ARM (A), differential lock | 44- 20 | 1 | 1 | | | |
| 194200-35470 | ARM (A), differential lock | 45- 20 | 1 | 1 | | | |
| 194200-35470 | ARM (A), differential lock | 46- 20 | | | 1 | 1 | |
| 194200-35500 | ROD, differential lock | 44- 22 | 1 | 1 | | | |
| 194200-35500 | ROD, differential lock | 45- 22 | 1 | 1 | | | |
| 194200-35500 | ROD, differential lock | 46- 22 | | | 1 | 1 | |
| 194200-35510 | JOINT, differential lock rod | 44- 23 | 1 | 1 | | | |
| 194200-35510 | JOINT, differential lock rod | 45- 23 | 1 | 1 | | | |
| 194200-35510 | JOINT, differential lock rod | 46- 23 | | | 1 | 1 | |
| 194200-35550 | ARM (B), differential lock | 44- 28 | 1 | 1 | | | |
| 194200-35550 | ARM (B), differential lock | 45- 28 | 1 | 1 | | | |
| 194200-35550 | ARM (B), differential lock | 46- 28 | | | 1 | 1 | |
| 194200-35600 | SPRING, differential | 44- 30 | 1 | 1 | | | |
| 194200-35600 | SPRING, differential | 45- 4 | 1 | 1 | | | |
| 194200-35600 | SPRING, differential | 46- 30 | | | 1 | 1 | |
| 194200-35610 | PIN 8 x 28 | 44- 24 | 2 | 2 | | | |
| 194200-35610 | PIN 8 x 28 | 45- 24 | 2 | 2 | | | |
| 194200-35610 | PIN 8 x 28 | 46- 24 | | | 2 | 2 | |
| 194200-36351-X | COVER, brake | 47- 9 | 2 | 2 | | | |
| 194200-36351-X | COVER, brake | 48- 2 | 2 | 2 | | | |
| 194200-36351-X | COVER, brake | 48- 9 | 2 | 2 | | | |
| 194200-36351-X | COVER, brake | 49- 9 | | | 2 | 2 | |
| 194200-36351-X | COVER, brake | 47- 2 | 2 | 2 | | | |
| 194200-36351-X | COVER, brake | 49- 2 | | | 2 | 2 | |
| 194200-36420 | PACKING, brake cover | 47- 46 | 2 | 2 | | | |
| 194200-36420 | PACKING, brake cover | 48- 46 | 2 | 2 | | | |
| 194200-36420 | PACKING, brake cover | 49- 46 | | | 2 | 2 | |
| 194200-36512 | BRAKE SHOE, complete | 47- 3 | 4 | 4 | | | |
| 194200-36512 | BRAKE SHOE, complete | 47- 10 | 4 | 4 | | | |
| 194200-36512 | BRAKE SHOE, complete | 48- 3 | 4 | 4 | | | |
| 194200-36512 | BRAKE SHOE, complete | 48- 10 | 4 | 4 | | | |
| 194200-36512 | BRAKE SHOE, complete | 49- 3 | | | 4 | 4 | |
| 194200-36512 | BRAKE SHOE, complete | 49- 10 | | | 4 | 4 | |
| 194200-36551 | SPRING, brake shoe return | 47- 4 | 4 | 4 | | | |
| 194200-36551 | SPRING, brake shoe return | 47- 11 | 4 | 4 | | | |
| 194200-36551 | SPRING, brake shoe return | 48- 4 | 4 | 4 | | | |
| 194200-36551 | SPRING, brake shoe return | 48- 11 | 4 | 4 | | | |
| 194200-36551 | SPRING, brake shoe return | 49- 4 | | | 4 | 4 | |

| Part No. | Description | Refer. No. | Q'ty/Unit | | | | Remarks |
|----------------|---------------------------|------------|-----------|--------|-------|--------|---------|
| | | | YMI55 | YMI55D | YMI35 | YMI35D | |
| 194200-36551 | SPRING, brake shoe return | 49- 11 | | | 4 | 4 | |
| 194200-36571 | DRUM, brake | 47- 49 | 2 | 2 | | | |
| 194200-36571 | DRUM, brake | 48- 49 | 2 | 2 | | | |
| 194200-36571 | DRUM, brake | 49- 49 | | | 2 | 2 | |
| 194200-36701 | CAMSHAFT (L), brake | 47- 5 | 1 | 1 | | | |
| 194200-36701 | CAMSHAFT (L), brake | 48- 5 | 1 | 1 | | | |
| 194200-36701 | CAMSHAFT (L), brake | 49- 5 | | | 1 | 1 | |
| 194200-36711-X | CAMSHAFT (R), brake | 47- 12 | 1 | 1 | | | |
| 194200-36711-X | CAMSHAFT (R), brake | 48- 12 | 1 | 1 | | | |
| 194200-36711-X | CAMSHAFT (R), brake | 49- 12 | | | 1 | 1 | |
| 194200-36740 | JOINT, brake arm | 47- 17 | 2 | 2 | | | |
| 194200-36740 | JOINT, brake arm | 48- 17 | 2 | 2 | | | |
| 194200-36740 | JOINT, brake arm | 49- 17 | | | 2 | 2 | |
| 194200-36780 | O-RING 16-S | 47- 7 | 4 | 4 | | | |
| 194200-36780 | O-RING 16-S | 47- 14 | 4 | 4 | | | |
| 194200-36780 | O-RING 16-S | 48- 7 | 4 | 4 | | | |
| 194200-36780 | O-RING 16-S | 48- 14 | 4 | 4 | | | |
| 194200-36780 | O-RING 16-S | 49- 7 | | | 4 | 4 | |
| 194200-36780 | O-RING 16-S | 49- 14 | | | 4 | 4 | |
| 194200-36790 | RING, brake camshaft | 47- 6 | 2 | 2 | | | |
| 194200-36790 | RING, brake camshaft | 47- 13 | 2 | 2 | | | |
| 194200-36790 | RING, brake camshaft | 48- 6 | 2 | 2 | | | |
| 194200-36790 | RING, brake camshaft | 48- 13 | 2 | 2 | | | |
| 194200-36790 | RING, brake camshaft | 49- 6 | | | 2 | 2 | |
| 194200-36790 | RING, brake camshaft | 49- 13 | | | 2 | 2 | |
| 194200-36792 | SPRING, lock lever return | 47- 36 | 1 | 1 | | | |
| 194200-36792 | SPRING, lock lever return | 48- 36 | 1 | 1 | | | |
| 194200-36792 | SPRING, lock lever return | 49- 36 | | | 1 | 1 | |
| 194200-37302-X | PEDAL (L), brake | 47- 21 | 1 | 1 | | | |
| 194200-37302-X | PEDAL (L), brake | 49- 21 | | | 1 | 1 | |
| 194200-37303-X | PEDAL (L), brake | 47- 21 | 1 | 1 | | | |
| 194200-37303-X | PEDAL (L), brake | 49- 21 | | | 1 | 1 | |
| 194200-37304-X | PEDAL (L), brake | 48- 21 | 1 | 1 | | | |
| 194200-37304-X | PEDAL (L), brake | 47- 21 | 1 | 1 | | | |
| 194200-37304-X | PEDAL (L), brake | 49- 21 | | | 1 | 1 | |
| 194200-37350-R | CONNECTOR, brake | 47- 23 | 1 | 1 | | | |
| 194200-37350-R | CONNECTOR, brake | 49- 23 | | | 1 | 1 | |
| 194200-37390 | SPRING 8 | 30- 57 | 1 | 1 | | | |
| 194200-37390 | SPRING 8 | 31- 57 | 1 | 1 | | | |
| 194200-37390 | SPRING 8 | 32- 57 | | | 1 | 1 | |
| 194200-37390 | SPRING 8 | 33- 57 | | | 1 | 1 | |
| 194200-37390 | SPRING 8 | 47- 24 | 2 | 2 | | | |
| 194200-37390 | SPRING 8 | 48- 24 | 2 | 2 | | | |
| 194200-37390 | SPRING 8 | 49- 24 | | | 2 | 2 | |
| 194200-37400-X | PEDAL (R), brake | 47- 22 | 1 | 1 | | | |

NUMERICAL PART NO. LIST

| Part No. | Description | Refer. No. | Qty/Unit | | | | Remarks |
|----------------|----------------------------|------------|----------|--------|-------|--------|---------|
| | | | YMI55 | YMI55D | YMI35 | YMI35D | |
| 194200-37400-X | PEDAL (R), brake | 49- 22 | | | 1 | 1 | |
| 194200-37401-X | PEDAL (R), brake | 48- 22 | 1 | 1 | | | |
| 194200-37401-X | PEDAL (R), brake | 47- 22 | 1 | 1 | | | |
| 194200-37401-X | PEDAL (R), brake | 49- 22 | | | 1 | 1 | |
| 194200-37510 | SPRING, brake pedal return | 30- 50 | 1 | 1 | | | |
| 194200-37510 | SPRING, brake pedal return | 31- 50 | 1 | 1 | | | |
| 194200-37510 | SPRING, brake pedal return | 32- 50 | | | 1 | 1 | |
| 194200-37510 | SPRING, brake pedal return | 33- 50 | | | 1 | 1 | |
| 194200-37510 | SPRING, brake pedal return | 47- 28 | 2 | 2 | | | |
| 194200-37510 | SPRING, brake pedal return | 48- 28 | 2 | 2 | | | |
| 194200-37510 | SPRING, brake pedal return | 49- 28 | | | 2 | 2 | |
| 194200-37550 | SHAFT, brake pedal | 47- 29 | 1 | 1 | | | |
| 194200-37550 | SHAFT, brake pedal | 48- 29 | 1 | 1 | | | |
| 194200-37550 | SHAFT, brake pedal | 49- 29 | | | 1 | 1 | |
| 194200-37600 | LINER 26 x 36 x 2.3 | 47- 33 | 3 | 3 | | | |
| 194200-37600 | LINER 26 x 36 x 2.3 | 48- 33 | 3 | 3 | | | |
| 194200-37600 | LINER 26 x 36 x 2.3 | 49- 33 | | | 3 | 3 | |
| 194200-37620 | LINER 26 x 36 x 1 | 47- 34 | 1 | 1 | | | |
| 194200-37620 | LINER 26 x 36 x 1 | 48- 34 | 1 | 1 | | | |
| 194200-37620 | LINER 26 x 36 x 1 | 49- 34 | | | 1 | 1 | |
| 194200-37652-X | LEVER, brake pedal lock | 48- 35 | 1 | 1 | | | |
| 194200-37652-X | LEVER, brake pedal lock | 47- 35 | 1 | 1 | | | |
| 194200-37652-X | LEVER, brake pedal lock | 49- 35 | | | 1 | 1 | |
| 194200-37690 | SPRING, lock lever return | 47- 36 | 1 | 1 | | | |
| 194200-37690 | SPRING, lock lever return | 49- 36 | | | 1 | 1 | |
| 194200-37691 | SPRING, lock lever return | 47- 36 | 1 | 1 | | | |
| 194200-37691 | SPRING, lock lever return | 49- 36 | | | 1 | 1 | |
| 194200-37740 | JOINT, brake rod front | 47- 39 | 2 | 2 | | | |
| 194200-37740 | JOINT, brake rod front | 48- 39 | 2 | 2 | | | |
| 194200-37740 | JOINT, brake rod front | 49- 39 | | | 2 | 2 | |
| 194200-37770 | ROD, brake | 47- 40 | 2 | 2 | | | |
| 194200-37770 | ROD, brake | 48- 40 | 2 | 2 | | | |
| 194200-37770 | ROD, brake | 49- 40 | | | 2 | 2 | |
| 194200-37780 | LS-NUT M8 | 47- 41 | 2 | 2 | | | |
| 194200-37780 | LS-NUT M8 | 48- 41 | 2 | 2 | | | |
| 194200-37780 | LS-NUT M8 | 49- 41 | | | 2 | 2 | |
| 194200-37800 | PIN 8 x 17.5 | 19- 28 | 1 | 1 | | | |
| 194200-37800 | PIN 8 x 17.5 | 30- 26 | 2 | 2 | | | |
| 194200-37800 | PIN 8 x 17.5 | 31- 26 | 2 | 2 | | | |
| 194200-37800 | PIN 8 x 17.5 | 32- 26 | | | 2 | 2 | |
| 194200-37800 | PIN 8 x 17.5 | 33- 26 | | | 2 | 2 | |
| 194200-37800 | PIN 8 x 17.5 | 47- 18 | 2 | 2 | | | |
| 194200-37800 | PIN 8 x 17.5 | 47- 43 | 2 | 2 | | | |
| 194200-37800 | PIN 8 x 17.5 | 49- 18 | | | 2 | 2 | |
| 194200-37800 | PIN 8 x 17.5 | 49- 43 | | | 2 | 2 | |

- 21 -

NUMERICAL PART NO. LIST

| Part No. | Description | Refer. No. | Qty/Unit | | | | Remarks |
|----------------|-----------------------------|------------|----------|--------|-------|--------|---------|
| | | | YMI55 | YMI55D | YMI35 | YMI35D | |
| 194200-37810 | PIN 8 x 20.5 | 47- 18 | 2 | 2 | | | |
| 194200-37810 | PIN 8 x 20.5 | 47- 43 | 2 | 2 | | | |
| 194200-37810 | PIN 8 x 20.5 | 48- 18 | 2 | 2 | | | |
| 194200-37810 | PIN 8 x 20.5 | 48- 43 | 2 | 2 | | | |
| 194200-37810 | PIN 8 x 20.5 | 49- 18 | | | 2 | 2 | |
| 194200-37810 | PIN 8 x 20.5 | 49- 43 | | | 2 | 2 | |
| 194200-42101-X | HOUSING, hydraulic cylinder | 58- 2 | 1 | 1 | 1 | 1 | |
| 194200-42102-X | HOUSING, hydraulic cylinder | 58- 2 | 1 | 1 | 1 | 1 | |
| 194200-42102-X | HOUSING, hydraulic cylinder | 58- 2 | 1 | 1 | 1 | 1 | |
| 194200-42150 | PACKING, cylinder case | 58- 6 | 1 | 1 | 1 | 1 | |
| 194200-42171 | PROTECTOR, cylinder case | 58- 7 | 1 | 1 | 1 | 1 | |
| 194200-42180 | WIRE 0.6 x 220 | 58- 10 | 1 | 1 | 1 | 1 | |
| 194200-43110 | PIPE, cylinder | 58- 30 | 1 | 1 | 1 | 1 | |
| 194200-43121 | HEAD, cylinder | 58- 12 | 1 | 1 | 1 | 1 | |
| 194200-43140 | O-RING 63-S | 58- 14 | 1 | 1 | 1 | 1 | |
| 194200-43161-X | PLUG 18 | 58- 15 | 1 | 1 | 1 | 1 | |
| 194200-43210 | SETBOLT, control valve | 58- 33 | 1 | 1 | 1 | 1 | |
| 194200-43211 | SETBOLT, control valve | 58- 33 | | | 1 | | |
| 194200-43211 | SETBOLT, control valve | 58- 33 | 1 | 1 | 1 | 1 | |
| 194200-43220 | SETBOLT, control valve | 58- 34 | 1 | 1 | 1 | 1 | |
| 194200-43230 | SEAL WASHER | 58- 68 | | | | | 1 |
| 194200-43230 | SEAL WASHER | 58- 68 | 1 | 1 | 1 | 1 | |
| 194200-43300 | PISTON, hydraulic | 58- 37 | 1 | 1 | 1 | 1 | |
| 194200-43411 | ROD, hydraulic piston | 58- 39 | 1 | 1 | 1 | 1 | |
| 194200-44111 | CRANK, lift | 58- 40 | 1 | 1 | 1 | 1 | |
| 194200-44151 | PIN, lift crank | 58- 41 | 1 | 1 | 1 | 1 | |
| 194200-44170 | SETBOLT, lift crank | 58- 44 | 1 | 1 | 1 | 1 | |
| 194200-44210 | SHAFT, lift | 58- 46 | 1 | 1 | 1 | 1 | |
| 194200-44250 | BUSH 35 x 30, rod | 58- 47 | 1 | 1 | 1 | 1 | |
| 194200-44260 | BUSH 30 x 30, rod | 58- 48 | 1 | 1 | 1 | 1 | |
| 194200-44280 | LINER 30.5 x 45 x 1 | 58- 49 | 2 | 2 | 2 | 2 | |
| 194200-44411-X | ARM (L), lift | 58- 52 | 1 | 1 | 1 | 1 | |
| 194200-44421-X | ARM (R), lift | 58- 53 | 1 | 1 | 1 | 1 | |
| 194200-45160 | SEAT, valve | 59- 13 | 1 | 1 | 1 | 1 | |
| 194200-45170 | SPRING | 59- 14 | 1 | 1 | 1 | 1 | |
| 194200-45180 | ADJUSTER | 59- 15 | 1 | 1 | 1 | 1 | |
| 194200-45190 | NUT | 59- 16 | 1 | 1 | 1 | 1 | |
| 194200-45200 | RING, stop | 59- 5 | 1 | 1 | 1 | 1 | |
| 194200-45210 | PLATE, lock | 59- 17 | 1 | 1 | 1 | 1 | |
| 194200-45240 | HOLDER, spring | 59- 18 | 1 | 1 | 1 | 1 | |
| 194200-45250 | LOCK NUT | 59- 19 | 2 | 2 | 2 | 2 | |
| 194200-46100 | PLUG 16, slow return | 59- 22 | 1 | 1 | 1 | 1 | |
| 194200-46121 | BOLT, slow return adjusting | 59- 23 | 1 | 1 | 1 | 1 | |
| 194200-46130 | SPRING, slow return bolt | 59- 24 | 1 | 1 | 1 | 1 | |
| 194200-46150 | O-RING 12.5-S | 59- 25 | 1 | 1 | 1 | 1 | |

NUMERICAL PART NO. LIST

NUMERICAL PART NO. LIST

| Part No. | Description | Refer. No. | Q'ty/Unit | | | | Remarks |
|----------------|----------------------------|------------|-----------|--------|-------|--------|---------|
| | | | YMI55 | YMI55P | YMI35 | YMI35P | |
| 194200-46410 | VALVE SEAT, safety | 58- 17 | 1 | 1 | 1 | 1 | |
| 194200-46420 | SPRING, safety valve | 58- 18 | 1 | 1 | 1 | 1 | |
| 194200-46450-X | PLUG 16, safety valve | 58- 21 | 1 | 1 | 1 | 1 | |
| 194200-46520 | VALVE SEAT, stop | 58- 23 | 1 | 1 | 1 | 1 | |
| 194200-46531 | VALVE (A), stop | 58- 24 | 1 | 1 | 1 | 1 | |
| 194200-46540-X | GUIDE, stop valve | 58- 25 | 1 | 1 | 1 | 1 | |
| 194200-46550 | O-RING 16-S | 58- 26 | 2 | 2 | 2 | 2 | |
| 194200-46560-X | VALVE (B), stop | 58- 27 | 1 | 1 | 1 | 1 | |
| 194200-47112-X | LEVER, hydraulic control | 59- 28 | 1 | 1 | 1 | 1 | |
| 194200-47180 | LINER, control lever | 59- 30 | 1 | 1 | 1 | 1 | |
| 194200-47190 | O-RING S12 | 59- 32 | 1 | 1 | 1 | 1 | |
| 194200-47210 | FORK, hydraulic control | 59- 33 | 1 | 1 | 1 | 1 | |
| 194200-47220 | SETBOLT M6 x 30 | 59- 34 | 1 | 1 | 1 | 1 | |
| 194200-47310 | SUPPORT, lock spring | 59- 36 | 1 | 1 | 1 | 1 | |
| 194200-47330 | SPRING, lock | 59- 37 | 1 | 1 | 1 | 1 | |
| 194200-47350-X | COVER, lock spring | 59- 39 | 1 | 1 | 1 | 1 | |
| 194200-47360 | PACKING, lock spring cover | 59- 40 | 1 | 1 | 1 | 1 | |
| 194200-47510 | SUPPORT, auto-return rod | 58- 56 | 1 | 1 | 1 | 1 | |
| 194200-47550 | PIN, auto-return support | 58- 59 | 1 | 1 | 1 | 1 | |
| 194200-47610 | ROD, auto-return | 58- 61 | 1 | 1 | 1 | 1 | |
| 194200-47620 | STOPPER, auto-return | 58- 63 | 2 | 2 | 2 | 2 | |
| 194200-48110-X | PIPE (A), low-pressure | 60- 1 | 1 | 1 | 1 | 1 | |
| 194200-48570 | ADAPTER (A) | 60- 10 | 1 | 1 | 1 | 1 | |
| 194200-48810 | CLAMP | 60- 12 | 2 | 2 | 2 | 2 | |
| 194200-48820 | CLAMP, pipe | 60- 13 | 1 | 1 | 1 | 1 | |
| 194200-48911 | FILTER, oil | 60- 15 | 1 | 1 | 1 | 1 | |
| 194200-48921 | PACKING, oil filter | 60- 16 | 1 | 1 | 1 | 1 | |
| 194200-48930 | GROMMET 22 | 60- 19 | 1 | 1 | 1 | 1 | |
| 194200-51130 | CABLE (L), turn signal | 61- 21 | 1 | 1 | | | |
| 194200-51130 | CABLE (L), turn signal | 65- 21 | | | 1 | 1 | |
| 194200-51130 | CORD (L), turn signal | 84- 4 | | | 2 | 2 | |
| 194200-51162 | WIRE, lead | 61- 53 | 1 | 1 | | | |
| 194200-51162 | WIRE, lead | 62- 56 | 1 | 1 | | | |
| 194200-51162 | WIRE, lead | 63- 3 | 1 | 1 | | | |
| 194200-51162 | WIRE, lead | 64- 4 | 1 | 1 | | | |
| 194200-51180 | CABLE (R), turn signal | 61- 22 | 1 | 1 | | | |
| 194200-51180 | CABLE (R), turn signal | 65- 22 | | | 1 | 1 | |
| 194200-51201 | CABLE, battery plus | 61- 11 | 1 | 1 | | | |
| 194200-51201 | CABLE, battery plus | 62- 11 | 1 | 1 | | | |
| 194200-51201 | CABLE, battery | 63- 4 | 1 | 1 | | | |
| 194200-51201 | CABLE, battery | 64- 5 | 1 | 1 | | | |
| 194200-51211 | CABLE, battery earth | 61- 12 | 1 | 1 | | | |
| 194200-51211 | CABLE, battery earth | 62- 12 | 1 | 1 | | | |
| 194200-51211 | CABLE, battery earth | 63- 5 | 1 | 1 | | | |
| 194200-51211 | CABLE, battery earth | 64- 6 | 1 | 1 | | | |

| Part No. | Description | Refer. No. | Q'ty/Unit | | | | Remarks |
|--------------|----------------------|------------|-----------|--------|-------|--------|---------|
| | | | YMI55 | YMI55P | YMI35 | YMI35P | |
| 194200-51211 | CABLE, battery earth | 65- 12 | | | 1 | 1 | |
| 194200-51211 | CABLE, battery earth | 66- 12 | | | 1 | 1 | |
| 194200-51301 | BATTERY Y60-S4LP | 61- 5 | 1 | 1 | | | |
| 194200-51301 | BATTERY Y60-S4LP | 62- 5 | 1 | 1 | | | |
| 194200-51351 | COVER, battery | 61- 6 | 1 | 1 | | | |
| 194200-51351 | COVER, battery | 62- 6 | 1 | 1 | | | |
| 194200-51351 | COVER, battery | 63- 91 | 1 | 1 | | | |
| 194200-51351 | COVER, battery | 64- 61 | 1 | 1 | | | |
| 194200-51400 | LOCK BOLT, battery | 61- 7 | 2 | 2 | | | |
| 194200-51400 | LOCK BOLT, battery | 62- 7 | 2 | 2 | | | |
| 194200-51400 | LOCK BOLT | 63- 92 | 2 | 2 | | | |
| 194200-51400 | LOCK BOLT | 64- 62 | 2 | 2 | | | |
| 194200-51440 | CUSHION, battery | 61- 10 | 1 | 1 | | | |
| 194200-51440 | CUSHION, battery | 62- 10 | 1 | 1 | | | |
| 194200-51440 | CUSHION | 63- 93 | 1 | 1 | | | |
| 194200-51440 | CUSHION | 64- 63 | 1 | 1 | | | |
| 194200-52210 | FUSE BOX | 61- 36 | 1 | 1 | | | |
| 194200-52210 | FUSE BOX | 62- 27 | 1 | 1 | | | |
| 194200-52210 | FUSE BOX | 65- 34 | | | 1 | 1 | |
| 194200-52210 | FUSE BOX | 66- 28 | | | 1 | 1 | |
| 194200-52220 | FUSE 5A | 61- 38 | 3 | 3 | | | |
| 194200-52220 | FUSE 5A | 62- 29 | 3 | 3 | | | |
| 194200-52220 | FUSE 5A | 65- 36 | | | 3 | 3 | |
| 194200-52220 | FUSE 5A | 66- 30 | | | 3 | 3 | |
| 194200-52230 | FUSE 10A | 61- 39 | 6 | 6 | | | |
| 194200-52230 | FUSE 10A | 62- 30 | 6 | 6 | | | |
| 194200-52230 | FUSE 10A | 65- 37 | | | 6 | 6 | |
| 194200-52230 | FUSE 10A | 66- 31 | | | 6 | 6 | |
| 194200-52240 | FUSE 15A | 61- 40 | 3 | 3 | | | |
| 194200-52240 | FUSE 15A | 62- 31 | 3 | 3 | | | |
| 194200-52240 | FUSE 15A | 65- 38 | | | 3 | 3 | |
| 194200-52240 | FUSE 15A | 66- 32 | | | 3 | 3 | |
| 194200-53400 | BULB 12V 20W | 84- 3 | | | 2 | 2 | |
| 194200-55470 | COVER, cable | 61- 2 | 1 | 1 | | | |
| 194200-55470 | COVER, cable | 62- 2 | 1 | 1 | | | |
| 194200-55470 | COVER, cable | 65- 2 | | | 1 | 1 | |
| 194200-55470 | COVER, cable | 66- 2 | | | 1 | 1 | |
| 194200-56060 | FITTINGS | 63- 82 | 1 | 1 | | | |
| 194200-56060 | FITTINGS | 64- 52 | 1 | 1 | | | |
| 194200-56070 | SHEET | 63- 83 | 1 | 1 | | | |
| 194200-56070 | SHEET | 64- 53 | 1 | 1 | | | |
| 194200-56400 | CLAMP | 61- 4 | 1 | 1 | | | |
| 194200-56400 | CLAMP | 62- 4 | 1 | 1 | | | |
| 194200-56400 | CLAMP | 63- 8 | 1 | 1 | | | |
| 194200-56400 | CLAMP | 64- 8 | 1 | 1 | | | |

1
2
1

NUMERICAL PART NO. LIST

| Part No. | Description | Refer. No. | Q'ty/Unit | | | | Remarks |
|--------------|-------------------------|------------|-----------|--------|-------|--------|---------|
| | | | YMI55 | YMI55D | YMI35 | YMI35D | |
| 194200-56400 | CLAMP | 65- 4 | | | 1 | 1 | |
| 194200-56400 | CLAMP | 66- 4 | | | 1 | 1 | |
| 194200-56410 | CLAMP (B) | 61- 34 | 1 | 1 | | | |
| 194200-56410 | CLAMP (B) | 65- 32 | | | 1 | 1 | |
| 194200-56410 | CLAMP (B) | 73- 43 | 1 | 1 | | | |
| 194200-56410 | CLAMP (B) | 77- 43 | | | 1 | 1 | |
| 194200-57210 | GROMMET 6 | 61- 26 | 1 | 1 | | | |
| 194200-57210 | GROMMET 6 | 62- 20 | 1 | 1 | | | |
| 194200-57210 | GROMMET 6 | 63- 88 | 1 | 1 | | | |
| 194200-57210 | GROMMET 6 | 64- 58 | 1 | 1 | | | |
| 194200-57210 | GROMMET 6 | 65- 26 | | | 1 | 1 | |
| 194200-57210 | GROMMET 6 | 66- 21 | | | 1 | 1 | |
| 194200-61220 | LINNING, hood front | 67- 5 | 1 | 1 | | | |
| 194200-61220 | LINNING, hood front | 67- 23 | 1 | 1 | | | |
| 194200-61220 | LINNING, hood front | 68- 4 | 1 | 1 | | | |
| 194200-61220 | LINNING, hood front | 70- 4 | 1 | 1 | | | |
| 194200-61220 | LINNING, hood front | 71- 5 | | | 2 | 2 | |
| 194200-61220 | LINNING, hood front | 71- 21 | | | 2 | 2 | |
| 194200-61220 | LINNING, hood front | 72- 4 | | | 2 | 2 | |
| 194200-61230 | LINNING, hood left | 67- 6 | 1 | 1 | | | |
| 194200-61230 | LINNING, hood left | 67- 24 | 1 | 1 | | | |
| 194200-61230 | LINNING, hood left | 68- 5 | 1 | 1 | | | |
| 194200-61230 | LINNING, hood left | 70- 5 | 1 | 1 | | | |
| 194200-61240 | LINNING, hood right | 67- 7 | 1 | 1 | | | |
| 194200-61240 | LINNING, hood right | 67- 25 | 1 | 1 | | | |
| 194200-61240 | LINNING, hood right | 68- 6 | 1 | 1 | | | |
| 194200-61240 | LINNING, hood right | 70- 6 | 1 | 1 | | | |
| 194200-61250 | RUBBER, hood insulating | 67- 8 | 1 | 1 | | | |
| 194200-61250 | RUBBER, hood insulating | 67- 26 | 1 | 1 | | | |
| 194200-61250 | RUBBER, hood insulating | 68- 7 | 1 | 1 | | | |
| 194200-61250 | RUBBER, hood insulating | 69- 5 | 1 | 1 | | | |
| 194200-61250 | RUBBER, hood insulating | 70- 7 | 1 | 1 | | | |
| 194200-61250 | RUBBER, hood insulating | 71- 6 | | | 1 | 1 | |
| 194200-61250 | RUBBER, hood insulating | 71- 22 | | | 1 | 1 | |
| 194200-61250 | RUBBER, hood insulating | 72- 5 | | | 1 | 1 | |
| 194200-61260 | PLATE, hood fulcrum | 67- 35 | 2 | 2 | | | |
| 194200-61260 | PLATE, hood fulcrum | 68- 8 | 2 | 2 | | | |
| 194200-61260 | PLATE, hood fulcrum | 69- 6 | 2 | 2 | | | |
| 194200-61260 | PLATE, hood fulcrum | 70- 8 | 2 | 2 | | | |
| 194200-61450 | HOOK, hood | 67- 43 | 2 | 2 | | | |
| 194200-61450 | HOOK, hood | 68- 16 | 2 | 2 | | | |
| 194200-61450 | HOOK, hood | 69- 13 | 2 | 2 | | | |
| 194200-61450 | HOOK, hood | 70- 16 | 2 | 2 | | | |
| 194200-61490 | SPRING, hook | 67- 44 | 2 | 2 | | | |
| 194200-61490 | SPRING, hook | 68- 17 | 2 | 2 | | | |

- 23 -

NUMERICAL PART NO. LIST

| Part No. | Description | Refer. No. | Q'ty/Unit | | | | Remarks |
|----------------|------------------------------|------------|-----------|--------|-------|--------|---------|
| | | | YMI55 | YMI55D | YMI35 | YMI35D | |
| 194200-61490 | SPRING, hook | 69- 14 | 2 | 2 | | | |
| 194200-61490 | SPRING, hook | 70- 17 | 2 | 2 | | | |
| 194200-61520 | INSTRUMENT PANEL | 67- 48 | 1 | 1 | | | |
| 194200-61521 | INSTRUMENT PANEL | 67- 48 | 1 | 1 | | | |
| 194200-61522 | INSTRUMENT PANEL | 67- 48 | 1 | 1 | | | |
| 194200-61522 | INSTRUMENT PANEL | 68- 21 | 1 | 1 | | | |
| 194200-61522 | INSTRUMENT PANEL | 70- 21 | 1 | 1 | | | |
| 194200-61550 | RUBBER, panel box insulating | 67- 49 | 1 | 1 | | | |
| 194200-61550 | RUBBER, panel box insulating | 68- 22 | 1 | 1 | | | |
| 194200-61550 | RUBBER, panel box insulating | 69- 18 | 1 | 1 | | | |
| 194200-61550 | RUBBER, panel box insulating | 70- 22 | 1 | 1 | | | |
| 194200-61550 | RUBBER, panel box insulating | 71- 40 | | | | 1 | 1 |
| 194200-61550 | RUBBER, panel box insulating | 72- 15 | | | | 1 | 1 |
| 194200-61560 | CAP 27, rubber | 67- 51 | 1 | 1 | | | |
| 194200-61560 | CAP 27, rubber | 71- 42 | | | | 1 | 1 |
| 194200-62101-R | FENDER (L) | 74- 1 | 1 | 1 | | | |
| 194200-62101-R | FENDER (L) | 75- 1 | 1 | 1 | | | |
| 194200-62101-R | FENDER (L) | 76- 1 | 1 | 1 | | | |
| 194200-62101-P | FENDER (L) | 73- 1 | 1 | 1 | | | |
| 194200-62101-R | FENDER (L) | 73- 1 | 1 | 1 | | | |
| 194200-62111-P | FENDER (R) | 73- 9 | 1 | 1 | | | |
| 194200-62111-R | FENDER (R) | 74- 3 | 1 | 1 | | | |
| 194200-62111-R | FENDER (R) | 74- 9 | 1 | 1 | | | |
| 194200-62111-R | FENDER (R) | 75- 2 | 1 | 1 | | | |
| 194200-62111-R | FENDER (R) | 76- 3 | 1 | 1 | | | |
| 194200-62111-R | FENDER (R) | 76- 9 | 1 | 1 | | | |
| 194200-62111-P | FENDER (R) | 73- 3 | 1 | 1 | | | |
| 194200-62111-R | FENDER (R) | 73- 3 | 1 | 1 | | | |
| 194200-62220 | REFLECTOR, complete | 73- 60 | 2 | 2 | | | |
| 194200-62220 | REFLECTOR, complete | 74- 66 | 2 | 2 | | | |
| 194200-62220 | REFLECTOR, complete | 76- 82 | 2 | 2 | | | |
| 194200-62220 | REFLECTOR, complete | 77- 60 | | | 2 | 2 | |
| 194200-62300 | BRACKET (L), fender | 73- 61 | 1 | 1 | | | |
| 194200-62300-R | BRACKET (L), fender | 74- 67 | 1 | 1 | | | |
| 194200-62300 | BRACKET (L), fender | 75- 4 | 1 | 1 | | | |
| 194200-62300-R | BRACKET (L), fender | 76- 83 | 1 | 1 | | | |
| 194200-62300 | BRACKET (L), fender | 78- 67 | | | 1 | 1 | |
| 194200-62300-R | BRACKET (L), fender | 73- 61 | 1 | 1 | | | |
| 194200-62311 | BRACKET (R), fender | 73- 62 | 1 | 1 | | | |
| 194200-62311-R | BRACKET (R), fender | 74- 68 | 1 | 1 | | | |
| 194200-62311 | BRACKET (R), fender | 75- 5 | 1 | 1 | | | |
| 194200-62311-R | BRACKET (R), fender | 76- 49 | 1 | 1 | | | |
| 194200-62311 | BRACKET (R), fender | 78- 68 | | | 1 | 1 | |
| 194200-62311-R | BRACKET (R), fender | 73- 62 | 1 | 1 | | | |
| 194200-62401 | BAR (R), assist | 73- 20 | 1 | 1 | | | |

NUMERICAL PART NO. LIST

NUMERICAL PART NO. LIST

| Part No. | Description | Refer. No. | Q'ty/Unit | | | | Remarks |
|----------------|-------------------------------|------------|-----------|--------|-------|--------|---------|
| | | | YMI55 | YMI55D | YMI35 | YMI35D | |
| 194200-62401 | BAR (R), assist | 74- 20 | 1 | 1 | | | |
| 194200-62401 | BAR (R), assist | 75- 11 | 1 | 1 | | | |
| 194200-62401-R | BAR (R), assist | 76- 20 | 1 | 1 | | | |
| 194200-62401 | BAR (R), assist | 76- 20 | 2 | 2 | | | |
| 194200-62401-R | BAR (R), assist | 73- 20 | 1 | 1 | | | |
| 194200-62511-X | STEP (L) | 74- 24 | 1 | 1 | | | |
| 194200-62511-X | STEP (L) | 75- 14 | 1 | 1 | | | |
| 194200-62511-X | STEP (L) | 76- 24 | 1 | 1 | | | |
| 194200-62511-X | STEP (L) | 73- 24 | 1 | 1 | | | |
| 194200-62521-X | STEP (R) | 74- 25 | 1 | 1 | | | |
| 194200-62521-X | STEP (R) | 75- 15 | 1 | 1 | | | |
| 194200-62521-X | STEP (R) | 76- 25 | 1 | 1 | | | |
| 194200-62521-X | STEP (R) | 73- 25 | 1 | 1 | | | |
| 194200-63140 | CUSHION, seat | 73- 35 | 2 | 2 | | | |
| 194200-63140 | CUSHION, seat | 74- 35 | 2 | 2 | | | |
| 194200-63140 | CUSHION, seat | 75- 24 | 2 | 2 | | | |
| 194200-63140 | CUSHION, seat | 76- 35 | 2 | 2 | | | |
| 194200-63140 | CUSHION, seat | 77- 35 | | | 2 | 2 | |
| 194200-63140 | CUSHION, seat | 78- 35 | | | 2 | 2 | |
| 194200-63180 | PIN 8 x 165, seat hinge | 73- 37 | 1 | 1 | | | |
| 194200-63180 | PIN 8 x 165, seat hinge | 74- 37 | 1 | 1 | | | |
| 194200-63180 | PIN 8 x 165, seat hinge | 77- 37 | | | 1 | 1 | |
| 194200-63210-X | BRACKET, operator's seat | 73- 40 | 1 | 1 | | | |
| 194200-63300 | PLATE, cushion | 73- 47 | 1 | 1 | | | |
| 194200-63300 | PLATE, cushion | 77- 47 | | | 1 | 1 | |
| 194200-63301 | PLATE, cushion | 73- 47 | 1 | 1 | | | |
| 194200-63301 | PLATE, cushion | 73- 47 | 1 | 1 | | | |
| 194200-63301 | PLATE, cushion | 74- 45 | 1 | 1 | | | |
| 194200-63301 | PLATE, cushion | 76- 45 | 1 | 1 | | | |
| 194200-63301 | PLATE, cushion | 77- 47 | | | | 1 | |
| 194200-63301 | PLATE, cushion | 77- 47 | | | 1 | | |
| 194200-63301 | PLATE, cushion | 77- 47 | | | 1 | 1 | |
| 194200-63301 | PLATE, cushion | 78- 45 | | | 1 | 1 | |
| 194200-63310 | PACKING, breather pipe saddle | 73- 36 | 1 | 1 | | | |
| 194200-63310 | PACKING, breather pipe saddle | 74- 36 | 1 | 1 | | | |
| 194200-63310 | PACKING, breather pipe saddle | 75- 25 | 1 | 1 | | | |
| 194200-63310 | PACKING, breather pipe saddle | 76- 36 | 1 | 1 | | | |
| 194200-63310 | PACKING, breather pipe saddle | 77- 36 | | | 1 | 1 | |
| 194200-63310 | PACKING, breather pipe saddle | 78- 36 | | | 1 | 1 | |
| 194200-64150 | STAY, rear-view mirror | 87- 3 | 1 | 1 | | | |
| 194200-64150 | STAY, rear-view mirror | 88- 3 | 1 | 1 | 1 | 1 | |
| 194200-65100 | LABEL, steering wheel | 28- 39 | 1 | 1 | | | |
| 194200-65300 | LABEL, transmission | 34- 26 | 1 | | 1 | | |
| 194200-65300 | LABEL, gear oil | 98- 3 | 1 | | | | |
| 194200-65300 | LABEL, gear oil | 100- 3 | 1 | | | | |

| Part No. | Description | Refer. No. | Q'ty/Unit | | | | Remarks |
|----------------|-----------------------------|------------|-----------|--------|-------|--------|---------|
| | | | YMI55 | YMI55D | YMI35 | YMI35D | |
| 194200-65300 | LABEL, gear oil | 102- 3 | | | | 1 | |
| 194200-65610 | NUT M5 | 67- 10 | 2 | 2 | | | |
| 194200-65610 | NUT M5 | 67- 28 | 2 | 2 | | | |
| 194200-65610 | NUT M5 | 70- 43 | 2 | 2 | | | |
| 194200-65610 | NUT M5 | 71- 8 | | | | 2 | 2 |
| 194200-65610 | NUT M5 | 71- 24 | | | | 2 | 2 |
| 194200-65700 | LABEL, main speed change | 39- 4 | 1 | 1 | | | |
| 194200-65700 | LABEL, main speed change | 40- 4 | | | | 1 | 1 |
| 194200-75502-X | HINGE, lower link | 79- 4 | 2 | 2 | | | |
| 194200-75502-X | HINGE, lower link | 80- 4 | 2 | 2 | | | |
| 194200-75510 | HINGE, lower link | 79- 4 | 2 | 2 | | | |
| 194200-75510 | HINGE, lower link | 80- 4 | 2 | 2 | | | |
| 194200-81240 | FITTINGS, rear wheel weight | 89- 4 | 2 | 2 | 2 | 2 | |
| 194200-82100 | PLIER 200 | 90- 8 | 1 | 1 | 1 | 1 | |
| 194200-82150 | SCREW DRIVER 6 x 100 | 90- 10 | 1 | 1 | 1 | 1 | |
| 194201-24190 | STUD M10x 32 | 34- 19 | 2 | 2 | 2 | 2 | |
| 194201-24190 | STUD M10x 32 | 35- 19 | 2 | 2 | | | |
| 194201-27111-X | LEVER, main change | 40- 1 | | | | 1 | 1 |
| 194201-27111-X | LEVER, main change | 39- 1 | 1 | 1 | | | |
| 194201-27150 | KNOB, main change lever | 39- 3 | 1 | 1 | | | |
| 194201-27150 | KNOB, main change lever | 40- 3 | | | | 1 | 1 |
| 194201-27170 | BOOT, rubber | 39- 6 | 1 | 1 | | | |
| 194201-27170 | BOOT, rubber | 40- 6 | | | | 1 | 1 |
| 194201-32150 | SEAL BOLT M8 x 18 | 27- 49 | | | 8 | | 8 |
| 194201-32150 | SEAL BOLT M8 x 18 | 41- 14 | | | 8 | | 8 |
| 194201-32150 | SEAL BOLT M8 x 18 | 42- 61 | | | 8 | | 8 |
| 194201-32150 | SEAL BOLT M8 x 18 | 43- 14 | | | | 8 | 8 |
| 194201-33410 | PINION (L), final reduction | 41- 27 | 1 | 1 | | | |
| 194201-33410 | PINION (L), final reduction | 42- 27 | 1 | 1 | | | |
| 194201-33420 | PINION (R), final reduction | 41- 28 | 1 | 1 | | | |
| 194201-33420 | PINION (R), final reduction | 42- 28 | 1 | 1 | | | |
| 194201-36610 | PLATE, lock | 47- 15 | 2 | 2 | | | |
| 194201-36610 | PLATE, lock | 48- 15 | 2 | 2 | | | |
| 194201-36620 | WASHER, lock plate | 47- 50 | 2 | 2 | | | |
| 194201-36620 | WASHER, lock plate | 48- 50 | 2 | 2 | | | |
| 194201-64100 | HEAD, rear-view mirror | 86- 1 | 1 | 1 | | | |
| 194202-34710 | HUB, rear wheel | 50- 27 | 2 | | | | |
| 194202-34710 | HUB, rear wheel | 51- 24 | | 2 | | | |
| 194202-34710 | HUB, rear wheel | 52- 27 | 2 | | | | |
| 194202-34710 | HUB, rear wheel | 53- 24 | | 2 | | | |
| 194202-34710 | HUB, rear wheel | 54- 27 | | | 2 | | |
| 194202-34710 | HUB, rear wheel | 55- 24 | | | | 2 | |
| 194202-34710 | HUB, rear wheel | 56- 27 | | | 2 | | |
| 194202-34710 | HUB, rear wheel | 57- 24 | | | | 2 | |
| 194202-47790 | PLATE, friction | 76- 54 | 4 | 4 | | | |

NUMERICAL PART NO. LIST

| Part No. | Description | Refer. No. | Qty/Unit | | | | Remarks |
|----------------|-------------------------|------------|----------|--------|-------|--------|---------|
| | | | YM155 | YM155D | YM135 | YM135D | |
| 194202-56450 | CLAMP, speed | 61- 50 | 3 | 3 | | | |
| 194202-56450 | CLAMP | 62- 51 | 3 | 3 | | | |
| 194202-56450 | CLAMP, speed | 63- 9 | 3 | 3 | | | |
| 194202-56450 | CLAMP, speed | 64- 9 | 3 | 3 | | | |
| 194202-56450 | CLAMP, speed | 65- 52 | | | 3 | 3 | |
| 194202-56450 | CLAMP | 66- 50 | | | 3 | 3 | |
| 194210-12850-P | WHEEL 4JA-12, disc | 51- 5 | 2 | 2 | | | |
| 194210-12850-Q | WHEEL 4JA-12, disc | 51- 10 | 2 | 2 | | | |
| 194210-12850-Q | WHEEL 4JA-12, disc | 53- 5 | 2 | 2 | | | |
| 194210-12850-Q | WHEEL 4JA-12, disc | 53- 10 | 2 | 2 | | | |
| 194210-12850-P | WHEEL 4JA-12, disc | 57- 5 | | | 2 | | |
| 194210-12850-P | WHEEL 4JA-12, disc | 57- 10 | | | 2 | | |
| 194210-12850-P | WHEEL 4JA-12, disc | 55- 5 | | | 2 | | |
| 194210-12850-P | WHEEL 4JA-12, disc | 55- 10 | | | 2 | | |
| 194210-13212 | CENTER PIN | 23- 4 | 1 | | | | |
| 194210-13212 | CENTER PIN | 24- 4 | | 1 | | | |
| 194210-13212 | CENTER PIN | 25- 4 | 1 | | | | |
| 194210-13212 | CENTER PIN | 26- 4 | | | 1 | | |
| 194210-13212-X | CENTER PIN | 23- 4 | 1 | | | | |
| 194210-13212-X | CENTER PIN | 24- 4 | | 1 | | | |
| 194210-13212-X | CENTER PIN | 25- 4 | 1 | | | | |
| 194210-13212-X | CENTER PIN | 26- 4 | | | 1 | | |
| 194210-13250 | CASTLE NUT M16 | 23- 7 | 1 | | | | |
| 194210-13250 | CASTLE NUT M16 | 24- 7 | | | 1 | | |
| 194210-13250 | CASTLE NUT M16 | 25- 5 | 1 | | | | |
| 194210-13250 | CASTLE NUT M16 | 26- 5 | | | 1 | | |
| 194210-13321-X | SHAFT, propeller | 27- 2 | 1 | 1 | | | |
| 194210-13351-X | YOKE, sleeve | 27- 3 | 1 | 1 | | | |
| 194210-13361-X | YOKE, flange | 27- 4 | 1 | 1 | | | |
| 194210-13371-X | JOINT, cross | 27- 5 | 2 | 2 | | | |
| 194210-13410 | COVER, propeller shaft, | 27- 9 | 1 | 1 | | | |
| 194210-13410-X | COVER, propeller shaft, | 27- 9 | 1 | 1 | | | |
| 194210-13420 | COVER, propeller shaft | 27- 10 | 1 | 1 | | | |
| 194210-13420-X | COVER, propeller shaft | 27- 10 | 1 | 1 | | | |
| 194210-13430 | RUBBER (A), setting | 27- 13 | 1 | 1 | | | |
| 194210-13440 | RUBBER (B), setting | 27- 16 | 1 | 1 | | | |
| 194210-13451 | SUPPORTER (A), | 27- 17 | 1 | 1 | | | |
| 194210-13460 | SUPPORTER (B), | 27- 22 | 1 | 1 | | | |
| 194210-13461 | SUPPORTER (B), | 27- 22 | 1 | 1 | | | |
| 194210-13461 | SUPPORTER (B), | 27- 22 | 1 | 1 | | | |
| 194210-13490 | BAND, hose | 27- 14 | 1 | 1 | | | |
| 194210-13512 | CASE, front axle | 25- 8 | 1 | | | | |
| 194210-13512 | CASE, front axle | 26- 8 | | | 1 | | |
| 194210-13512-X | CASE, front axle | 25- 8 | 1 | | | | |
| 194210-13512-X | CASE, front axle | 26- 8 | | | 1 | | |

- 5 -

NUMERICAL PART NO. LIST

| Part No. | Description | Refer. No. | Qty/Unit | | | | Remarks |
|----------------|-------------------------------|------------|----------|--------|-------|--------|---------|
| | | | YM155 | YM155D | YM135 | YM135D | |
| 194210-13520 | METAL 22 x 28 x 22 | 25- 9 | 2 | | | | |
| 194210-13520 | METAL 22 x 28 x 22 | 26- 9 | | | | 2 | |
| 194210-13530 | LINER 22.5 x 34 x 2 | 25- 10 | 2 | | | | |
| 194210-13530 | LINER 22.5 x 34 x 2 | 26- 10 | | | | 2 | |
| 194210-13540 | PACKING(L), front axle flange | 25- 11 | 1 | | | | |
| 194210-13540 | PACKING(L), front axle flange | 26- 11 | | | | 1 | |
| 194210-13551 | PACKING(R), front axle flange | 25- 12 | 1 | | | | |
| 194210-13551 | PACKING(R), front axle flange | 26- 12 | | | | 1 | |
| 194210-13561 | BREATHER 10 | 25- 14 | 1 | | | | |
| 194210-13561 | BREATHER 10 | 26- 14 | | | | 1 | |
| 194210-13570 | CAP, front axle case | 25- 18 | 1 | | | | |
| 194210-13570 | CAP, front axle case | 26- 18 | | | | 1 | |
| 194210-13570-X | CAP, front axle case | 25- 18 | 1 | | | | |
| 194210-13570-X | CAP, front axle case | 26- 18 | | | | 1 | |
| 194210-13590 | OIL SEAL TC30 45 8 | 27- 30 | 1 | 1 | | | |
| 194210-13610 | AXLE (L), front | 25- 24 | 1 | | | | |
| 194210-13610-X | AXLE (L), front | 25- 24 | 1 | | | | |
| 194210-13621 | AXLE (R), front | 25- 25 | 1 | | | | |
| 194210-13621-X | AXLE (R), front | 25- 25 | 1 | | | | |
| 194210-13740 | CENTER PIN, | 25- 26 | 2 | | | | |
| 194210-13740 | PACKING, | 26- 26 | | | | 2 | |
| 194210-13822 | GEAR CASE, lower front | 25- 35 | 2 | | | | |
| 194210-13822 | GEAR CASE, lower front | 26- 35 | | | | 2 | |
| 194210-13841 | OIL SEAL 100 x 120 x 12 | 25- 38 | 2 | | | | |
| 194210-13841 | OIL SEAL 100 x 120 x 12 | 26- 38 | | | | 2 | |
| 194210-13880 | STUD M10 x 20 | 25- 65 | 4 | | | | |
| 194210-13880 | STUD M10 x 20 | 26- 65 | | | | 4 | |
| 194210-13881 | STUD M10 x 23 | 25- 65 | 4 | | | | |
| 194210-13881 | STUD M10 x 23 | 26- 65 | | | | 4 | |
| 194210-13902 | KING PIN | 25- 39 | 2 | | | | |
| 194210-13902 | KING PIN | 26- 39 | | | | 2 | |
| 194210-13902-X | KING PIN | 25- 39 | 2 | | | | |
| 194210-13902-X | KING PIN | 26- 39 | | | | 2 | |
| 194210-13930-X | CAP, front gear case | 26- 44 | | | | 2 | |
| 194210-13930-X | CAP, front gear case | 25- 44 | 2 | | | | |
| 194210-13940 | PACKING, front gear case cap | 25- 45 | 2 | | | | |
| 194210-13940 | PACKING, front gear case cap | 26- 45 | | | | 2 | |
| 194210-13950 | PACKING, front gear | 25- 40 | 2 | | | | |
| 194210-13950 | PACKING, front gear | 26- 40 | | | | 2 | |
| 194210-13960 | LINER 22 x 34 x 1 | 27- 66 | 2 | | | | |
| 194210-13970 | SHIM 22 x 34 x 0.5 | 27- 68 | 2 | | | | |
| 194210-14100 | SHAFT, spiral pinion | 27- 25 | 1 | 1 | | | |
| 194210-14121 | FLANGE, universal | 27- 32 | 1 | 1 | | | |
| 194210-14121-X | FLANGE, universal | 27- 32 | 1 | 1 | | | |
| 194210-14210 | RING 25, circular | 27- 56 | 2 | | | | |

NUMERICAL PART NO. LIST

NUMERICAL PART NO. LIST

| Part No. | Description | Refer. No. | Q'ty/Unit | | | | Remarks |
|----------------|-----------------------------|------------|-----------|--------|-------|--------|---------|
| | | | YMI55 | YMI55D | YMI35 | YMI35D | |
| 194210-14230 | BEVEL GEAR 14 60d x 30.5L | 27- 58 | 2 | | 2 | | |
| 194210-14251 | BEVEL GEAR, king pin 73d | 27- 59 | 2 | | 2 | | |
| 194210-14260 | NEEDLE BEARING 29 x 33 x 16 | 27- 60 | 4 | | 4 | | |
| 194210-14270 | INNER COLLAR 22 x 28 x 33 | 27- 61 | 2 | | 2 | | |
| 194210-14280 | LINER 22 x 41 x 2.3 | 27- 62 | 4 | | 4 | | |
| 194210-14290 | SHIM 0.1, king pin | 27- 63 | - | | - | | |
| 194210-14300 | THRUST BEARING 51105 | 27- 64 | 2 | | 2 | | |
| 194210-14300 | THRUST BEARING 51105 | 27- 64 | 4 | | 4 | | |
| 194210-14310 | COLLAR 22 x 25 x 10 | 27- 65 | 2 | | 2 | | |
| 194210-14350 | SHAFT, front axle | 51- 13 | 2 | | 2 | | |
| 194210-14350 | SHAFT, front axle | 53- 13 | 2 | | 2 | | |
| 194210-14350 | SHAFT, front axle | 55- 13 | 2 | | 2 | | |
| 194210-14350 | SHAFT, front axle | 57- 13 | 2 | | 2 | | |
| 194210-14410 | LINER 30 x 42 x 2 | 27- 71 | 2 | | 2 | | |
| 194210-14420 | BEVEL GEAR 27 | 27- 72 | 2 | | 2 | | |
| 194210-14450 | SHIM 0.1, front axle case | 25- 22 | - | | - | | |
| 194210-14450 | SHIM 0.1, front axle case | 26- 22 | - | | - | | |
| 194210-14460 | SHIM 0.2, front axle case | 25- 23 | - | | - | | |
| 194210-14460 | SHIM 0.2, front axle case | 26- 23 | - | | - | | |
| 194210-14510 | ARM (L), knuckle | 25- 48 | 1 | | 1 | | |
| 194210-14520-X | ARM (R), knuckle | 25- 49 | 1 | | 1 | | |
| 194210-14550 | BOLT M10 x 40 | 25- 50 | 4 | | 4 | | |
| 194210-14550 | BOLT M10 x 40 | 25- 50 | 2 | | 2 | | |
| 194210-14550 | BOLT M10 x 40 | 26- 50 | 4 | | 4 | | |
| 194210-14550 | BOLT M10 x 40 | 26- 50 | 2 | | 2 | | |
| 194210-1520 | ARM (R), knuckle | 26- 49 | 1 | | 1 | | |
| 194210-21103-X | HOUSING, complete, clutch | 32- 11 | 1 | | 1 | | |
| 194210-21103-X | HOUSING, complete, clutch | 30- 11 | 1 | | 1 | | |
| 194210-21103-X | HOUSING, complete, clutch | 31- 11 | 1 | | 1 | | |
| 194210-21103-X | HOUSING, complete, clutch | 33- 11 | 1 | | 1 | | |
| 194210-21104-X | HOUSING, complete, clutch | 32- 11 | 1 | | 1 | | |
| 194210-21104-X | HOUSING, complete, clutch | 30- 11 | 1 | | 1 | | |
| 194210-21104-X | HOUSING, complete, clutch | 31- 11 | 1 | | 1 | | |
| 194210-21104-X | HOUSING, complete, clutch | 33- 11 | 1 | | 1 | | |
| 194210-24401 | COVER, transmission housing | 34- 35 | 1 | | 1 | | |
| 194210-24401 | COVER, transmission housing | 35- 35 | 1 | | 1 | | |
| 194210-25240 | OIL SEAL TC20357 | 36- 52 | 1 | | 1 | | |
| 194210-25240 | OIL SEAL TC20357 | 37- 52 | 1 | | 1 | | |
| 194210-25240 | OIL SEAL TC20357 | 38- 52 | 1 | | 1 | | |
| 194210-25540 | GEAR 16, front driving | 36- 39 | 1 | | 1 | | |
| 194210-25540 | GEAR 16, front driving | 38- 39 | 1 | | 1 | | |
| 194210-26100 | SHAFT, front P.T.O. | 36- 48 | 1 | | 1 | | |
| 194210-26100 | SHAFT, front P.T.O. | 37- 48 | 1 | | 1 | | |
| 194210-26100 | SHAFT, front P.T.O. | 38- 48 | 1 | | 1 | | |
| 194210-26110 | COLLAR 20.5 x 25 x 40 | 36- 49 | 1 | | 1 | | |

| Part No. | Description | Refer. No. | Q'ty/Unit | | | | Remarks |
|----------------|-------------------------------|------------|-----------|--------|-------|--------|---------|
| | | | YMI55 | YMI55D | YMI35 | YMI35D | |
| 194210-26110 | COLLAR 20.5 x 25 x 40 | 37- 49 | | 1 | | | |
| 194210-26110 | COLLAR 20.5 x 25 x 40 | 38- 49 | | | 1 | | |
| 194210-26120 | GEAR 29, front P.T.O. sliding | 36- 50 | | 1 | | | |
| 194210-26120 | GEAR 29, front P.T.O. sliding | 38- 50 | | | 1 | | |
| 194210-26130 | RETAINER, bearing | 36- 51 | | 1 | | | |
| 194210-26130 | RETAINER, bearing | 37- 51 | | 1 | | | |
| 194210-26130 | RETAINER, bearing | 38- 51 | | | 1 | | |
| 194210-27550 | GRIP, lever | 39- 40 | | 1 | | | |
| 194210-27550 | GRIP, lever | 40- 40 | | | 1 | | |
| 194210-27701 | LEVER, front P.T.O. change | 39- 39 | | 1 | | | |
| 194210-27701 | LEVER, front P.T.O. change | 40- 39 | | | 1 | | |
| 194210-27750 | SHAFT, front P.T.O. fork | 39- 42 | | 1 | | | |
| 194210-27750 | SHAFT, front P.T.O. fork | 40- 42 | | | 1 | | |
| 194210-27760 | FORK, front P.T.O. shift | 39- 43 | | 1 | | | |
| 194210-27760 | FORK, front P.T.O. shift | 40- 43 | | | 1 | | |
| 194210-27780 | SHIFTER, front P.T.O. change | 39- 48 | | 1 | | | |
| 194210-27780 | SHIFTER, front P.T.O. change | 40- 48 | | | 1 | | |
| 194210-65300 | LABEL, transmission | 34- 30 | | 1 | | | |
| 194210-65300 | LABEL, gear oil | 98- 4 | | 1 | | | |
| 194210-65300 | LABEL, gear oil | 100- 4 | | 1 | | | |
| 194210-65300 | LABEL, gear oil | 102- 4 | | | 1 | | |
| 194210-65310 | LABEL, front axle oiling | 25- 33 | | 1 | | | |
| 194210-65310 | LABEL, front axle oiling | 26- 33 | | | 1 | | |
| 194211-65310 | LABEL, 4-wheel oil | 98- 5 | | 1 | | | |
| 194211-65310 | LABEL, 4-wheel oil | 100- 5 | | 1 | | | |
| 194211-65310 | LABEL, 4-wheel oil | 102- 5 | | | 1 | | |
| 194212-13450 | CAP, front axle case | 25- 18 | | 1 | | | |
| 194212-13450 | CAP, front axle case | 26- 18 | | | 1 | | |
| 194212-13450-X | CAP, front axle case | 25- 18 | | 1 | | | |
| 194212-13450-X | CAP, front axle case | 26- 18 | | | 1 | | |
| 194212-14650 | RUBBER (A), setting | 27- 13 | | 1 | | | |
| 194240-04760 | JOINT, pipe 8d x 33.5L | 21- 10 | 1 | 1 | | | |
| 194240-04760 | JOINT, pipe 8d x 33.5L | 22- 10 | | | 1 | | |
| 194240-12950 | TIRE (TURF), 20 x 8.00 -10PD | 93- 10 | | | 2 | | |
| 194240-12960 | PACKING, tube | 93- 11 | | | 2 | | |
| 194240-12970 | FRONT TIRE ASS'Y (TURF) | 93- 8 | | | 2 | | |
| 194240-26280 | BUSH | 36- 76 | 1 | 1 | | | |
| 194240-26280 | BUSH | 37- 76 | 1 | 1 | | | |
| 194240-26280 | BUSH | 38- 76 | | | 1 | | |
| 194240-26451 | SPRING | 36- 74 | 1 | 1 | | | |
| 194240-26451 | SPRING | 38- 74 | | | 1 | | |
| 194240-48140-U | COVER, hydraulic adapter | 60- 20 | 1 | 1 | 1 | | |
| 194240-52190 | SWITCH, safety starter | 61- 52 | 1 | 1 | | | |
| 194240-52190 | SWITCH, safety starter | 62- 40 | 1 | 1 | | | |
| 194240-52190 | SWITCH, safety starter | 63- 22 | 1 | 1 | | | |

NUMERICAL PART NO. LIST

| Part No. | Description | Refer. No. | Q'ty/Unit | | | | Remarks |
|----------------|-----------------------------|------------|-----------|--------|-------|--------|---------|
| | | | YMI55 | YMI55D | YMI35 | YMI35D | |
| 194240-52190 | SWITCH, safety starter | 64- 21 | 1 | 1 | | | |
| 194240-52190 | SWITCH, safety starter | 65- 48 | | | 1 | 1 | |
| 194240-52190 | SWITCH, safety starter | 66- 41 | | | 1 | 1 | |
| 194240-52210 | NUT M22 | 61- 24 | 2 | 2 | | | |
| 194240-52210 | NUT M22 | 62- 18 | 2 | 2 | | | |
| 194240-52210 | NUT M22 | 63- 23 | 2 | 2 | | | |
| 194240-52210 | NUT M22 | 64- 22 | 2 | 2 | | | |
| 194240-52210 | NUT M22 | 65- 24 | | | 2 | 2 | |
| 194240-52210 | NUT M22 | 66- 19 | | | 2 | 2 | |
| 194240-62250 | BRACKET, signal lamp | 74- 47 | 2 | 2 | | | |
| 194240-62250 | BRACKET, signal lamp | 75- 32 | 2 | 2 | | | |
| 194240-62250 | BRACKET, signal lamp | 78- 47 | | | 2 | 2 | |
| 194240-63102-X | SEAT, operator's | 74- 34 | 1 | 1 | | | |
| 194240-63102-X | SEAT, operator's | 75- 23 | 1 | 1 | | | |
| 194240-63102-X | SEAT, operator's | 76- 34 | 1 | 1 | | | |
| 194240-63102-X | SEAT, operator's | 77- 34 | | | 1 | 1 | |
| 194240-63102-X | SEAT, operator's | 78- 34 | | | 1 | 1 | |
| 194240-63102-X | SEAT, operator's | 73- 34 | 1 | 1 | | | |
| 194240-65430 | LABEL, throttle lever | 67- 53 | 1 | 1 | | | |
| 194240-65430 | LABEL, throttle lever | 71- 44 | | | 1 | 1 | |
| 194240-65430 | LABEL, throttle lever | 72- 18 | | | 1 | 1 | |
| 194240-65430 | LABEL, throttle lever | 96- 12 | 1 | 1 | | | |
| 194240-65430 | LABEL, throttle lever | 97- 12 | 1 | 1 | | | |
| 194240-65430 | LABEL, throttle lever | 101-12 | | | 1 | 1 | |
| 194240-65431 | LABEL, throttle lever | 68- 25 | 1 | 1 | | | |
| 194240-65431 | LABEL, throttle lever | 70- 25 | 1 | 1 | | | |
| 194240-65431 | LABEL, throttle lever | 102- 7 | | | 1 | 1 | |
| 194240-65432 | LABEL, throttle lever | 98- 7 | 1 | 1 | | | |
| 194240-65432 | LABEL, throttle lever | 99- 14 | 1 | 1 | | | |
| 194240-65432 | LABEL, throttle lever | 100-10 | 1 | 1 | | | |
| 194240-65432 | LABEL, throttle lever | 102- 7 | | | 1 | 1 | |
| 194240-65510 | LABEL, hydraulic lift | 73- 5 | 1 | 1 | | | |
| 194240-65510 | LABEL, hydraulic lift | 73- 11 | 1 | 1 | | | |
| 194240-65510 | LABEL, hydraulic lift | 77- 5 | | | 1 | 1 | |
| 194240-65510 | LABEL, hydraulic lift | 77- 11 | | | 1 | 1 | |
| 194240-65510 | LABEL, hyd. lift indication | 96- 16 | 1 | 1 | | | |
| 194240-65510 | LABEL, hyd. lift indication | 97- 16 | 1 | 1 | | | |
| 194240-65510 | LABEL, hyd. lift indication | 99- 18 | 1 | 1 | | | |
| 194240-65510 | LABEL, hyd. lift indication | 101-16 | | | 1 | 1 | |
| 194240-65620 | LABEL, caution | 73- 51 | 1 | 1 | | | |
| 194240-65620 | LABEL, caution | 73- 51 | 1 | 1 | | | |
| 194240-65620 | LABEL, caution | 77- 51 | | | 1 | 1 | |
| 194240-65620 | LABEL, caution | 77- 51 | | | 1 | 1 | |
| 194240-65620 | LABEL, transmission caution | 96- 19 | 1 | 1 | | | |
| 194240-65620 | LABEL, transmission caution | 97- 19 | 1 | 1 | | | |

- 27 -

NUMERICAL PART NO. LIST

| Part No. | Description | Refer. No. | Q'ty/Unit | | | | Remarks |
|--------------|-----------------------------|------------|-----------|--------|-------|--------|---------|
| | | | YMI55 | YMI55D | YMI35 | YMI35D | |
| 194240-65620 | LABEL, transmission caution | 99- 21 | 1 | 1 | | | |
| 194240-65620 | LABEL, transmission caution | 101-19 | | | 1 | 1 | |
| 194240-65670 | LABEL, fuel indicating | 67- 16 | 1 | 1 | | | |
| 194240-65670 | LABEL, fuel indicating | 67- 34 | 1 | 1 | | | |
| 194240-65670 | LABEL, fuel indicating | 71- 14 | | | 1 | 1 | |
| 194240-65670 | LABEL, fuel indicating | 71- 30 | | | 1 | 1 | |
| 194240-65670 | LABEL, fuel indicating | 72- 33 | | | 1 | 1 | |
| 194240-65670 | LABEL, fuel | 96- 21 | 1 | 1 | | | |
| 194240-65670 | LABEL, fuel | 97- 21 | 1 | 1 | | | |
| 194240-65670 | LABEL, fuel | 99- 23 | 1 | 1 | | | |
| 194240-65670 | LABEL, fuel | 101-21 | | | 1 | 1 | |
| 194240-65710 | LABEL, P.T.O. cover | 34- 47 | 1 | 1 | 1 | 1 | |
| 194240-65710 | LABEL, PTO cover | 96- 24 | 1 | 1 | | | |
| 194240-65710 | LABEL, PTO cover | 97- 24 | 1 | 1 | | | |
| 194240-65710 | LABEL, PTO cover | 99- 26 | 1 | 1 | | | |
| 194240-65710 | LABEL, PTO cover | 101-24 | | | 1 | 1 | |
| 194240-65720 | LABEL, caution | 30- 7 | 1 | | | | |
| 194240-65720 | LABEL, caution | 30- 7 | 1 | | | | |
| 194240-65720 | LABEL, caution | 30- 16 | | | 1 | | |
| 194240-65720 | LABEL, caution | 30- 16 | | | 1 | | |
| 194240-65720 | LABEL, caution | 31- 7 | 1 | | | | |
| 194240-65720 | LABEL, caution | 31- 7 | 1 | | | | |
| 194240-65720 | LABEL, caution | 31- 16 | | | 1 | | |
| 194240-65720 | LABEL, caution | 32- 7 | | | 1 | | |
| 194240-65720 | LABEL, caution | 32- 7 | | | 1 | | |
| 194240-65720 | LABEL, caution | 32- 16 | | | | 1 | |
| 194240-65720 | LABEL, caution | 33- 7 | | | 1 | | |
| 194240-65720 | LABEL, caution | 33- 16 | | | | 1 | |
| 194240-65720 | LABEL, caution | 96- 25 | 1 | 1 | | | |
| 194240-65720 | LABEL, caution | 97- 25 | 1 | 1 | | | |
| 194240-65720 | LABEL, caution | 99- 27 | 1 | 1 | | | |
| 194240-65720 | LABEL, caution | 101-25 | | | 1 | 1 | |
| 194240-83200 | CLUTCH ASS'Y | 94- 2 | 1 | 1 | | | |
| 194240-83200 | CLUTCH ASS'Y | 95- 2 | | | 1 | 1 | |
| 194240-83220 | WASHER | 94- 5 | 1 | 1 | | | |
| 194240-83220 | WASHER | 95- 5 | | | 1 | 1 | |
| 194240-83230 | BOLT M8 x 34 | 94- 6 | 1 | 1 | | | |
| 194240-83230 | BOLT M8 x 34 | 95- 6 | | | 1 | 1 | |
| 194240-83240 | PLATE | 94- 7 | 1 | 1 | | | |
| 194240-83240 | PLATE | 95- 7 | | | 1 | 1 | |
| 194240-83250 | BOLT M6 x 8 | 94- 11 | 4 | 4 | | | |
| 194240-83250 | BOLT M6 x 8 | 95- 11 | | | 4 | 4 | |
| 194240-83300 | SWITCH FRONT P.T.O. | 94- 21 | 1 | 1 | | | |
| 194240-83300 | SWITCH FRONT P.T.O. | 95- 21 | | | 1 | 1 | |
| 194240-98220 | LABEL, fuel indicating | 68- 40 | 1 | 1 | | | |

NUMERICAL PART NO. LIST

| Part No. | Description | Refer. No. | Qty/Unit | | | | Remarks |
|--------------|------------------------------|------------|----------|--------|-------|--------|---------|
| | | | YMI55 | YMI55D | YMI35 | YMI35D | |
| 194240-98220 | LABEL, fuel indicating | 70- 40 | 1 | 1 | | | |
| 194240-98220 | LABEL, fuel level indication | 98- 13 | 1 | 1 | | | |
| 194240-98220 | LABEL, fuel level indication | 102-13 | | | 1 | 1 | |
| 194240-98230 | LABEL, transmission caution | 98- 14 | 1 | 1 | | | |
| 194240-98230 | LABEL, transmission caution | 102-14 | | | 1 | 1 | |
| 194240-98250 | LABEL, key switch | 68- 26 | 1 | 1 | | | |
| 194240-98250 | LABEL, key switch | 70- 26 | 1 | 1 | | | |
| 194240-98250 | LABEL, key switch | 98- 16 | 1 | 1 | | | |
| 194240-98250 | LABEL, key switch | 102-16 | | | 1 | 1 | |
| 194240-98260 | LABEL, turn signal | 68- 24 | 1 | 1 | | | |
| 194240-98260 | LABEL, turn signal | 70- 24 | 1 | 1 | | | |
| 194240-98260 | LABEL, flusher | 98- 17 | 1 | 1 | | | |
| 194240-98260 | LABEL, flusher | 102-17 | | | 1 | 1 | |
| 194240-98290 | LABEL, gear oil indication | 98- 20 | 1 | 1 | | | |
| 194240-98290 | LABEL, gear oil indication | 102-20 | | | 1 | 1 | |
| 194240-98300 | LABEL, lubrication | 98- 21 | 1 | | | | |
| 194240-98300 | LABEL, lubrication | 102-21 | | | 1 | | |
| 194240-98310 | LABEL, lubrication | 98- 22 | 1 | | | | |
| 194240-98310 | LABEL, lubrication | 102-22 | | | 1 | | |
| 194240-98320 | LABEL, handling caution | 98- 23 | 1 | 1 | | | |
| 194240-98320 | LABEL, handling caution | 102-23 | | | 1 | 1 | |
| 194240-98330 | LABEL, air pressure | 98- 24 | 1 | 1 | | | |
| 194240-98330 | LABEL, air pressure | 102-24 | | | 1 | 1 | |
| 194240-98360 | LABEL, differential lock | 74- 7 | 1 | 1 | | | |
| 194240-98360 | LABEL, differential lock | 74- 14 | 1 | 1 | | | |
| 194240-98360 | LABEL, differential lock | 76- 7 | 1 | 1 | | | |
| 194240-98360 | LABEL, differential lock | 76- 14 | 1 | 1 | | | |
| 194240-98360 | LABEL, differential lock | 78- 7 | | | 1 | 1 | |
| 194240-98360 | LABEL, differential lock | 78- 14 | | | 1 | 1 | |
| 194240-98360 | LABEL, differential lock | 98- 27 | 1 | 1 | | | |
| 194240-98360 | LABEL, differential lock | 102-27 | | | 1 | 1 | |
| 194240-98380 | LABEL, hydraulic lift | 74- 5 | 1 | 1 | | | |
| 194240-98380 | LABEL, hydraulic lift | 74- 11 | 1 | 1 | | | |
| 194240-98380 | LABEL, hydraulic lift | 76- 5 | 1 | 1 | | | |
| 194240-98380 | LABEL, hydraulic lift | 76- 11 | 1 | 1 | | | |
| 194240-98380 | LABEL, hydraulic lift | 78- 5 | | | 1 | 1 | |
| 194240-98380 | LABEL, hydraulic lift | 78- 11 | | | 1 | 1 | |
| 194240-98380 | LABEL, hyd. lift indication | 98- 29 | 1 | 1 | | | |
| 194240-98380 | LABEL, hyd. lift indication | 102-29 | | | 1 | 1 | |
| 194240-98400 | LABEL, engine starting | 98- 31 | 1 | 1 | | | |
| 194240-98400 | LABEL, engine starting | 102-31 | | | 1 | 1 | |
| 194240-98410 | LABEL, PTO cover | 98- 32 | 1 | 1 | | | |
| 194240-98410 | LABEL, PTO cover | 102-32 | | | 1 | 1 | |
| 194242-53400 | LAMP ASS'Y, flasher | 64- 33 | 2 | 2 | | | |
| 194242-53600 | LAMP ASS'Y, stop | 64- 40 | 2 | 2 | | | |

108

NUMERICAL PART NO. LIST

| Part No. | Description | Refer. No. | Qty/Unit | | | | Remarks |
|----------------|-----------------------------|------------|----------|--------|-------|--------|---------|
| | | | YMI55 | YMI55D | YMI35 | YMI35D | |
| 194242-53620 | BULB 12V-21/5W | 64- 42 | 2 | 2 | | | |
| 194242-53630 | LENS (RED) | 64- 43 | 2 | 2 | | | |
| 194242-53640 | LENS (CLEAR) | 64- 44 | 2 | 2 | | | |
| 194242-55420 | LENS | 64- 35 | 4 | 4 | | | |
| 194242-55430 | SCREW | 64- 36 | 8 | 8 | | | |
| 194242-55430 | SCREW | 64- 45 | 8 | 8 | | | |
| 194242-55440 | WASHER 12 | 64- 37 | 2 | 2 | | | |
| 194242-55440 | WASHER 12 | 64- 46 | 2 | 2 | | | |
| 194242-65330 | LABEL, oil pressure | 100- 7 | 1 | 1 | | | |
| 194242-65350 | LABEL, engine starting | 100- 8 | 1 | 1 | | | |
| 194242-65450 | LABEL, decompression | 100-12 | 1 | 1 | | | |
| 194242-65510 | LABEL, hyd. lift indication | 100-15 | 1 | 1 | | | |
| 194242-65620 | LABEL, caution | 100-16 | 1 | 1 | | | |
| 194242-65630 | LABEL, gear oil | 100-17 | 1 | 1 | | | |
| 194242-65660 | LABEL, caution | 100-18 | 1 | 1 | | | |
| 194242-65670 | LABEL, fuel | 100-19 | 1 | 1 | | | |
| 194242-65690 | LABEL, steering | 100-20 | 1 | 1 | | | |
| 194242-65720 | LABEL, key switch | 100-21 | 1 | 1 | | | |
| 194242-75740 | PIN 22 x163.5, hitch | 80- 13 | 1 | 1 | | | |
| 194262-01200 | LEVER, decompression | 20- 13 | | | 1 | 1 | |
| 194262-01201 | LEVER, decompression | 20- 13 | | | 1 | 1 | |
| 194262-04270 | FELT 285 x 160 x 3 | 22- 11 | 1 | 1 | | | |
| 194262-04270 | FELT 285 x 160 x 3 | 22- 11 | 1 | 1 | | | |
| 194262-04280 | FELT 380 x 34 x 3 | 22- 13 | 2 | 2 | | | |
| 194262-04280 | FELT 380 x 34 x 3 | 22- 13 | 2 | 2 | | | |
| 194262-04300-X | BAND, fuel oil tank | 22- 12 | | | 2 | 2 | |
| 194262-04330 | ROD 6 x 50 | 22- 15 | | | 2 | 2 | |
| 194262-04331 | LOCK PIN, band | 22- 15 | | | 2 | 2 | |
| 194262-11352 | BRACKET, front axle | 24- 1 | 1 | | | | |
| 194262-11352-X | BRACKET, front axle | 24- 1 | 1 | | | | |
| 194262-11500 | AXLE, front | 24- 29 | 1 | | | | |
| 194262-11500-X | AXLE, front | 24- 29 | 1 | | | | |
| 194262-11781 | ARM (L), knuckle | 24- 23 | 1 | | | | |
| 194262-11781-X | ARM (L) knuckle | 24- 23 | 1 | | | | |
| 194262-11790 | ARM (R), knuckle | 24- 24 | 1 | | | | |
| 194262-11790-X | ARM (R), knuckle | 24- 24 | 1 | | | | |
| 194262-14610 | TIE-ROD, complete | 24- 9 | 1 | | | | |
| 194262-14610-X | TIE-ROD | 26- 53 | | | | 1 | |
| 194262-14610-X | TIE-ROD, complete | 24- 9 | 1 | | | | |
| 194262-15100-X | STEERING GEAR ASS'Y | 29- 1 | 1 | | | 1 | |
| 194262-15140 | SHAFT, sector | 29- 19 | 1 | 1 | | | |
| 194262-15150-X | COVER, side | 29- 10 | 1 | 1 | | | |
| 194262-15170 | PLUG | 29- 9 | 2 | 2 | | | |
| 194262-15170-X | PLUG | 28- 10 | 2 | 2 | | | |
| 194262-15200-X | COLUMN | 29- 2 | 1 | 1 | | | |

NUMERICAL PART NO. LIST

| Part No. | Description | Refer. No. | Q'ty/Unit | | | | Remarks |
|----------------|-----------------------------|------------|-----------|--------|-------|--------|---------|
| | | | YMI55 | YMI55D | YMI35 | YMI35D | |
| 194262-15210 | OIL SEAL | 29- 21 | | | 1 1 | | |
| 194262-15220 | OIL SEAL | 29- 20 | | | 1 1 | | |
| 194262-15310 | BUSH, column | 29- 3 | | | 1 1 | | |
| 194262-15330 | PACKING, side cover | 29- 11 | | | 1 1 | | |
| 194262-15420 | SHIM, adjust screw | 29- 14 | | | 1 1 | | |
| 194262-15430 | SHIM, adjust screw | 29- 15 | | | 1 1 | | |
| 194262-15440 | SHIM, adjust screw | 29- 16 | | | 1 1 | | |
| 194262-15450 | SHIM, adjust screw | 29- 17 | | | 1 1 | | |
| 194262-15460 | SHIM, adjust screw | 29- 18 | | | 1 1 | | |
| 194262-15470 | ADJUST SCREW | 29- 13 | | | 1 1 | | |
| 194262-15520 | BALL BEARING | 29- 7 | | | 2 2 | | |
| 194262-15610-X | ARM, pitman | 29- 31 | | | 1 1 | | |
| 194262-15611-X | ARM, pitman | 29- 31 | | | 1 1 | | |
| 194262-15730 | STEERING WHEEL | 29- 36 | | | 1 1 | | |
| 194262-15740 | CAP, steering wheel | 29- 37 | | | 1 1 | | |
| 194262-15750 | LOCKING, spring retainer | 29- 38 | | | 1 1 | | |
| 194262-16110 | DRAG-ROD | 29- 39 | | | 1 1 | | |
| 194262-16110-X | DRAG-ROD | 29- 39 | | | 1 1 | | |
| 194262-21400 | CLUTCH DISK ASS'Y | 31- 38 | | | 1 1 | | |
| 194262-21400 | CLUTCH DISK ASS'Y | 32- 38 | | | 1 1 | | |
| 194262-21400 | CLUTCH DISK ASS'Y | 33- 38 | | | 1 1 | | |
| 194262-21700 | PRESSURE PLATE ASS'Y | 32- 39 | | | 1 1 | | |
| 194262-21700 | PRESSURE PLATE ASS'Y | 33- 39 | | | 1 1 | | |
| 194262-26390 | GEAR 15, P.T.O. reduction | 36- 66 | 1 | 1 | | | |
| 194262-26390 | GEAR 15, P.T.O. reduction | 38- 66 | | | 1 1 | | |
| 194262-33420 | PINION (R), final reduction | 43- 28 | | | 1 1 | | |
| 194262-34130 | SHAFT, rear axle | 43- 52 | | | 2 2 | | |
| 194262-34140 | GEAR 51, final reduction | 43- 53 | | | 2 2 | | |
| 194262-35280 | GEAR 15, differential lock | 46- 10 | | | 1 1 | | |
| 194262-35281 | GEAR 15, differential lock | 46- 10 | | | 1 1 | | |
| 194262-35290 | GEAR 15, differential lock | 46- 11 | | | 1 1 | | |
| 194262-35291 | GEAR 15, differential lock | 46- 11 | | | 1 1 | | |
| 194262-48120-X | PIPE (B), low-pressure | 60- 5 | 1 | 1 | | | |
| 194262-51200 | CABLE, battery plus | 65- 11 | | | 1 1 | | |
| 194262-51200 | CABLE, battery plus | 66- 11 | | | 1 1 | | |
| 194262-51300 | BATTERY NS40Z | 65- 5 | | | 1 1 | | |
| 194262-51301 | BATTERY Y60-S4P | 65- 5 | | | 1 1 | | |
| 194262-51301 | BATTERY Y60-S4P | 66- 5 | | | 1 1 | | |
| 194262-51350 | CLAMP, battery | 65- 6 | | | 1 1 | | |
| 194262-51350 | CLAMP, battery | 66- 6 | | | 1 1 | | |
| 194262-51360 | FELT 190x105x3 | 65- 10 | | | 1 1 | | |
| 194262-51360 | FELT 190x105x3 | 66- 10 | | | 1 1 | | |
| 194262-51370 | ROD, battery clamp | 65- 7 | | | 1 1 | | |
| 194262-51370 | ROD, battery clamp | 66- 7 | | | 1 1 | | |
| 194262-51370 | ROD, battery clamp | 94- 28 | 2 | 2 | | | |

NUMERICAL PART NO. LIST

| Part No. | Description | Refer. No. | Q'ty/Unit | | | | Remarks |
|----------------|------------------------|------------|-----------|--------|-------|--------|---------|
| | | | YMI55 | YMI55D | YMI35 | YMI35D | |
| 194262-51380 | ROD (R), battery clamp | 65- 49 | | | 1 1 | | |
| 194262-51380 | ROD (R), battery clamp | 66- 42 | | | 1 1 | | |
| 194262-51381 | ROD (R), battery clamp | 65- 49 | | | 1 1 | | |
| 194262-51381 | ROD (R), battery clamp | 66- 42 | | | 1 1 | | |
| 194262-53050 | LIGHT ASS'Y, head | 61- 14 | 2 | 2 | | | |
| 194262-53050 | LIGHT ASS'Y, head | 65- 14 | | | 2 2 | | |
| 194262-53050 | LIGHT ASS'Y, head | 66- 14 | | | 2 2 | | |
| 194262-53051 | LIGHT ASS'Y, head | 61- 14 | 2 | 2 | | | |
| 194262-53051 | LIGHT ASS'Y, head | 64- 31 | 2 | 2 | | | |
| 194262-53051 | LIGHT ASS'Y, head | 65- 14 | | | 2 2 | | |
| 194262-53080 | BULB 12V-25W | 61- 15 | 2 | 2 | | | |
| 194262-53080 | BULB | 64- 32 | 2 | 2 | | | |
| 194262-53080 | BULB 12V-25W | 65- 15 | | | 2 2 | | |
| 194262-61101-P | HOOD | 71- 16 | | | 1 1 | | |
| 194262-61101-P | HOOD | 72- 1 | | | 1 1 | | |
| 194262-61101-P | HOOD | 71- 2 | | | 1 1 | | |
| 194262-61240 | GRILL, front | 67- 13 | 1 | 1 | | | |
| 194262-61240 | GRILL, front | 67- 31 | 1 | 1 | | | |
| 194262-61240 | GRILL, front | 68- 36 | 1 | 1 | | | |
| 194262-61240 | GRILL, front | 69- 26 | 1 | 1 | | | |
| 194262-61240 | GRILL, front | 70- 36 | 1 | 1 | | | |
| 194262-61240 | GRILL, front | 71- 11 | | | 1 1 | | |
| 194262-61240 | GRILL, front | 71- 27 | | | 1 1 | | |
| 194262-61240 | GRILL, front | 72- 29 | | | 1 1 | | |
| 194262-61330 | PANEL, hood upper | 67- 11 | 1 | 1 | | | |
| 194262-61330 | PANEL, hood upper | 67- 29 | 1 | 1 | | | |
| 194262-61330 | PANEL, hood upper | 71- 9 | | | 1 1 | | |
| 194262-61330 | PANEL, hood upper | 71- 25 | | | 1 1 | | |
| 194262-61330 | PANEL, hood upper | 72- 27 | | | 1 1 | | |
| 194262-61350 | EMBLEM, front | 67- 9 | 1 | 1 | | | |
| 194262-61350 | EMBLEM, front | 67- 27 | 1 | 1 | | | |
| 194262-61350 | EMBLEM, front | 71- 7 | | | 1 1 | | |
| 194262-61350 | EMBLEM, front | 71- 23 | | | 1 1 | | |
| 194262-61450 | HOOK, hood | 71- 34 | | | 2 2 | | |
| 194262-61450 | HOOK, hood | 72- 9 | | | 2 2 | | |
| 194262-61490 | SPRING, hook | 71- 35 | | | 2 2 | | |
| 194262-61490 | SPRING, hook | 72- 10 | | | 2 2 | | |
| 194262-61501 | INSTRUMENT PANEL | 71- 39 | | | 1 1 | | |
| 194262-61501 | INSTRUMENT PANEL | 72- 14 | | | 1 1 | | |
| 194262-61502 | INSTRUMENT PANEL | 71- 39 | | | 1 1 | | |
| 194262-61502 | INSTRUMENT PANEL | 72- 14 | | | 1 1 | | |
| 194262-62101 | FENDER (L) | 77- 1 | | | 1 1 | | |
| 194262-62101 | FENDER (L) | 78- 1 | | | 1 1 | | |
| 194262-62111 | FENDER (R) | 77- 3 | | | 1 1 | | |
| 194262-62111 | FENDER (R) | 77- 9 | | | 1 1 | | |

NUMERICAL PART NO. LIST

NUMERICAL PART NO. LIST

| Part No. | Description | Refer. No. | Qty/Unit | | | | Remarks |
|----------------|--------------------------|------------|----------|--------|-------|--------|---------|
| | | | YMI55 | YMI55D | YMI35 | YMI35D | |
| | | | | | | | |
| 194262-62111 | FENDER (R) | 78- 3 | | 1 | 1 | | |
| 194262-62111 | FENDER (R) | 78- 9 | | 1 | 1 | | |
| 194262-62300 | BRACKET (L), fender | 77- 61 | | 1 | 1 | | |
| 194262-62310 | BRACKET (R), fender | 77- 62 | | 1 | 1 | | |
| 194262-62400 | BAR (R), assist | 77- 20 | | 1 | 1 | | |
| 194262-62400 | BAR (R), assist | 78- 20 | | 1 | 1 | | |
| 194262-62510 | STEP (L) | 77- 24 | | 1 | 1 | | |
| 194262-62510 | STEP (L) | 78- 24 | | 1 | 1 | | |
| 194262-62520 | STEP (R) | 77- 25 | | 1 | 1 | | |
| 194262-62521 | STEP (R) | 77- 25 | | 1 | 1 | | |
| 194262-62521 | STEP (R) | 78- 25 | | 1 | 1 | | |
| 194262-63210 | BRACKET, operator's seat | 77- 40 | | 1 | 1 | | |
| 194262-63211 | BRACKET, operator's seat | 77- 40 | | 1 | 1 | | |
| 194263-11102 | BRACKET, front axle | 26- 1 | | 1 | 1 | | |
| 194263-13610-X | AXLE (L), front | 26- 24 | | 1 | 1 | | |
| 194263-13611 | AXLE (L), front | 26- 24 | | 1 | 1 | | |
| 194263-13611-X | AXLE (L), front | 26- 24 | | 1 | 1 | | |
| 194263-13620-X | AXLE (R), front | 26- 25 | | 1 | 1 | | |
| 194263-13621 | AXLE (R), front | 26- 25 | | 1 | 1 | | |
| 194263-13621-X | AXLE (R), front | 26- 25 | | 1 | 1 | | |
| 194263-14511 | ARM (L), knuckle | 26- 48 | | 1 | 1 | | |

| Part No. | Description | Refer. No. | Qty/Unit | | | | Remarks |
|----------------|--------------------------|------------|----------|--------|-------|--------|---------|
| | | | YMI55 | YMI55D | YMI35 | YMI35D | |
| | | | | | | | |
| 194300-21450 | CAP 20, rubber | 30- 55 | 1 | 1 | | | |
| 194300-21450 | CAP 20, rubber | 31- 55 | 1 | 1 | | | |
| 194300-21450 | CAP 20, rubber | 32- 55 | | | 1 | 1 | |
| 194300-21450 | CAP 20, rubber | 33- 55 | | | 1 | 1 | |
| 194300-21450 | CAP 20, rubber | 67- 59 | 1 | 1 | | | |
| 194300-21450 | CAP 20, rubber | 68- 42 | 1 | 1 | | | |
| 194300-21450 | CAP 20, rubber | 70- 42 | 1 | 1 | | | |
| 194312-55500 | PILOT LAMP ASS'Y, heater | 63- 75 | 1 | 1 | | | |
| 194340-01100 | LEVER, throttle | 18- 1 | 1 | 1 | | | |
| 194340-01100 | LEVER, throttle | 19- 1 | 1 | 1 | | | |
| 194340-01100 | LEVER, throttle | 20- 1 | | | 1 | 1 | |
| 194340-01260 | HOOK | 16- 18 | 1 | 1 | | | |
| 194340-01260 | HOOK | 20- 18 | | | 1 | 1 | |
| 194340-01650 | PLATE, throttle arm | 16- 17 | 1 | 1 | | | |
| 194340-01650 | PLATE, throttle arm | 19- 17 | 1 | 1 | | | |
| 194340-01650 | PLATE, throttle arm | 20- 17 | | | 1 | 1 | |
| 194340-01660 | ROD, throttle pedal | 19- 18 | 1 | 1 | | | |
| 194340-01660 | ROD, throttle pedal | 83- 2 | 1 | 1 | 1 | 1 | |
| 194340-02210 | ROD, throttle | 19- 7 | 1 | 1 | | | |
| 194340-02310 | HOOK, engine stop | 19- 8 | 1 | 1 | | | |
| 194340-02320 | COLLAR | 19- 9 | 1 | 1 | | | |
| 194340-02330 | SHIFTER | 19- 10 | 1 | 1 | | | |
| 194340-02340 | SPRING | 19- 29 | 1 | 1 | | | |
| 194340-02390 | HOLDER, rod | 19- 34 | 1 | 1 | | | |
| 194340-02450 | STOPPER, throttle | 75- 36 | 1 | 1 | | | |
| 194340-04100 | FUEL OIL TANK | 21- 1 | 1 | 1 | | | |
| 194340-04101 | FUEL OIL TANK | 21- 1 | 1 | 1 | | | |
| 194340-04390-X | COVER, fuel oil tank | 21- 25 | 1 | 1 | | | |
| 194340-04490 | ASBESTOS 190 x 190 x 3.2 | 21- 24 | 1 | 1 | | | |
| 194340-04500 | BRACKET, fuel oil tank | 21- 17 | 1 | 1 | | | |
| 194340-10010 | HINGE, top link | 34- 48 | 1 | 1 | 1 | 1 | |
| 194340-10010 | HINGE, top link | 35- 27 | 1 | 1 | | | |
| 194340-10050 | PIN, lift arm | 81- 15 | 1 | 1 | 1 | 1 | |
| 194340-10050 | PIN, lift arm | 81- 26 | 1 | 1 | 1 | 1 | |
| 194340-10050 | PIN, lift arm | 82- 15 | 1 | 1 | 1 | 1 | |
| 194340-10050 | PIN, lift arm | 82- 26 | 1 | 1 | 1 | 1 | |
| 194340-10100-X | LINK, complete, lower | 81- 40 | 2 | 2 | 2 | 2 | |
| 194340-10200-X | LINK ASS'Y, lower | 82- 40 | 2 | 2 | 2 | 2 | |
| 194340-11500-X | AXLE, front | 23- 29 | 1 | | | | |
| 194340-11880 | WHEEL, disc | 91- 5 | 2 | 2 | | | |
| 194340-11920 | TIRE (TURF) | 91- 3 | 2 | 2 | | | |
| 194340-11920 | TIRE (TURF) | 92- 3 | 2 | 2 | | | |
| 194340-13210 | CENTER PIN | 23- 4 | 1 | | | | |
| 194340-13210-X | CENTER PIN | 25- 4 | | 1 | | | |
| 194340-13212-X | CENTER PIN | 23- 4 | 1 | | | | |

NUMERICAL PART NO. LIST

| Part No. | Description | Refer. No. | Q'ty/Unit | | | | Remarks |
|----------------|------------------------------|------------|-----------|--------|-------|--------|---------|
| | | | YMI55 | YMI55D | YMI35 | YMI35D | |
| 194340-15140 | SHAFT, sector | 28- 20 | 1 | 1 | | | |
| 194340-15200-X | COLUMN | 28- 2 | 1 | 1 | | | |
| 194340-15210 | OIL SEAL | 28- 23 | 1 | 1 | | | |
| 194340-15230 | O-RING | 28- 22 | 1 | 1 | | | |
| 194340-15310 | BUSH, column | 28- 3 | 1 | 1 | | | |
| 194340-15330 | PACKING, side cover | 28- 12 | 1 | 1 | | | |
| 194340-15530 | SUPPORT, throttle | 18- 19 | 1 | 1 | | | |
| 194340-15530 | SUPPORT, throttle | 19- 27 | 1 | 1 | | | |
| 194340-15530 | SUPPORT, throttle | 20- 19 | | | 1 | 1 | |
| 194340-15610-X | ARM, pitman | 28- 34 | 1 | 1 | | | |
| 194340-16110 | DRAG-ROD | 28- 47 | | 1 | | | |
| 194340-16110-X | DRAG-ROD | 28- 43 | 1 | | | | |
| 194340-16110-X | DRAG-ROD | 29- 43 | | | 1 | | |
| 194340-21110-X | HOUSING, complete, clutch | 31- 2 | 1 | | | | |
| 194340-21400 | CLUTCH DISK ASS'Y | 30- 38 | 1 | 1 | | | |
| 194340-21400 | CLUTCH DISK ASS'Y | 31- 38 | 1 | 1 | | | |
| 194340-21410 | CLUTCH DISK ASS'Y | 30- 38 | 1 | 1 | | | |
| 194340-21410 | CLUTCH DISK ASS'Y | 31- 38 | 1 | 1 | | | |
| 194340-21410 | CLUTCH DISK ASS'Y | 32- 38 | | | 1 | 1 | |
| 194340-21410 | CLUTCH DISK ASS'Y | 33- 38 | | | 1 | 1 | |
| 194340-21700 | PRESSURE PLATE ASS'Y | 30- 39 | 1 | 1 | | | |
| 194340-21700 | PRESSURE PLATE ASS'Y | 31- 39 | 1 | 1 | | | |
| 194340-21700 | PRESSURE PLATE ASS'Y | 32- 39 | | | 1 | 1 | |
| 194340-21700 | PRESSURE PLATE ASS'Y | 33- 39 | | | 1 | 1 | |
| 194340-22330 | SHAFT, clutch release | 30- 25 | 1 | 1 | | | |
| 194340-22330 | SHAFT, clutch release | 31- 25 | 1 | 1 | | | |
| 194340-22330 | SHAFT, clutch release | 32- 25 | | | 1 | 1 | |
| 194340-22330 | SHAFT, clutch release | 33- 25 | | | 1 | 1 | |
| 194340-22460 | ROD, clutch | 30- 51 | 1 | 1 | | | |
| 194340-22460 | ROD, clutch | 31- 51 | 1 | 1 | | | |
| 194340-24510 | COVER, safety | 34- 51 | 1 | 1 | 1 | 1 | |
| 194340-24550-X | COVER, safety | 35- 24 | 1 | 1 | | | |
| 194340-24550-X | COVER, safety | 34- 51 | 1 | 1 | 1 | 1 | |
| 194340-25200 | SHAFT, main | 36- 1 | 1 | 1 | | | |
| 194340-25200 | SHAFT, main | 37- 1 | 1 | 1 | | | |
| 194340-25200 | SHAFT, main | 38- 1 | | | 1 | 1 | |
| 194340-25250 | NEEDLE BEARING KT152111 | 36- 9 | 1 | 1 | | | |
| 194340-25250 | NEEDLE BEARING KT152111 | 37- 9 | 1 | 1 | | | |
| 194340-25250 | NEEDLE BEARING KT152111 | 38- 9 | | | 1 | 1 | |
| 194340-25290 | LINER 16 x 21 x 1 | 36- 86 | 1 | 1 | | | |
| 194340-25290 | LINER 16 x 21 x 1 | 37- 23 | 1 | 1 | | | |
| 194340-25290 | LINER 16 x 21 x 1 | 38- 86 | | | 1 | 1 | |
| 194340-25302 | SHAFT, driven 32d x 169L | 36- 11 | 1 | 1 | | | |
| 194340-25302 | SHAFT, driven 32d x 169L | 38- 11 | | | 1 | 1 | |
| 194340-25303 | SHAFT, driven 24.667d x 169L | 36- 11 | 1 | 1 | | | |

NUMERICAL PART NO. LIST

| Part No. | Description | Refer. No. | Q'ty/Unit | | | | Remarks |
|--------------|-------------------------------|------------|-----------|--------|-------|--------|---------|
| | | | YMI55 | YMI55D | YMI35 | YMI35D | |
| 194340-25303 | SHAFT, driven 24.667d x 169L | 37- 11 | 1 | 1 | | | |
| 194340-25303 | SHAFT, driven 24.667d x 169L | 38- 11 | | | 1 | 1 | |
| 194340-25310 | GEAR 26, driven | 36- 13 | 1 | 1 | | | |
| 194340-25310 | GEAR 26, driven | 37- 13 | 1 | 1 | | | |
| 194340-25310 | GEAR 26, driven | 38- 13 | | | 1 | 1 | |
| 194340-25320 | GEAR 13, driven 48d x 21.7id | 36- 14 | 1 | 1 | | | |
| 194340-25320 | GEAR 13, driven 48d x 21.7id | 37- 14 | 1 | 1 | | | |
| 194340-25320 | GEAR 13, driven 48d x 21.7id | 38- 14 | | | 1 | 1 | |
| 194340-25332 | COLLAR 21.4 x 32 x 15 | 36- 15 | 1 | 1 | | | |
| 194340-25332 | COLLAR 21.4 x 32 x 15 | 38- 15 | | | 1 | 1 | |
| 194340-25340 | GEAR 21, driven 68.7d x 11w | 36- 16 | 1 | 1 | | | |
| 194340-25340 | GEAR 21, driven 68.7d x 11w | 38- 16 | | | 1 | 1 | |
| 194340-25341 | GEAR 18, driven 70.9d x 12w | 36- 16 | 1 | 1 | | | |
| 194340-25341 | GEAR 18, driven 70.9d x 12w | 37- 16 | 1 | 1 | | | |
| 194340-25341 | GEAR 18, driven 70.9d x 12w | 38- 16 | | | 1 | 1 | |
| 194340-25350 | COLLAR 25 x 32 x 31 | 37- 65 | 1 | 1 | | | |
| 194340-25350 | COLLAR 25 x 32 x 31 | 36- 17 | 1 | 1 | | | |
| 194340-25350 | COLLAR 25 x 32 x 31 | 36- 65 | 1 | 1 | | | |
| 194340-25350 | COLLAR 25 x 32 x 31 | 37- 17 | 1 | 1 | | | |
| 194340-25350 | COLLAR 25 x 32 x 31 | 38- 17 | | | 1 | 1 | |
| 194340-25351 | COLLAR 25 x 32 x 31 | 36- 17 | 1 | 1 | | | |
| 194340-25351 | COLLAR 25 x 32 x 31 | 38- 17 | | | 1 | 1 | |
| 194340-25360 | GEAR 17, driven 57d x 11w | 36- 18 | 1 | 1 | | | |
| 194340-25360 | GEAR 17, driven 57d x 11w | 38- 18 | | | 1 | 1 | |
| 194340-25361 | GEAR 17, driven 59.12d x 11w | 36- 18 | 1 | 1 | | | |
| 194340-25361 | GEAR 17, driven 59.12d x 11w | 38- 18 | | | 1 | 1 | |
| 194340-25362 | GEAR 15, driven 61.55d x 12w | 36- 18 | 1 | 1 | | | |
| 194340-25362 | GEAR 15, driven 61.55d x 12w | 37- 18 | 1 | 1 | | | |
| 194340-25362 | GEAR 15, driven 61.55d x 12w | 38- 18 | | | 1 | 1 | |
| 194340-25371 | COLLAR 25 x 32 x 10 | 36- 19 | 1 | 1 | | | |
| 194340-25371 | COLLAR 25 x 32 x 10 | 36- 19 | 1 | 1 | | | |
| 194340-25371 | COLLAR 25 x 32 x 10 | 38- 19 | | | 1 | 1 | |
| 194340-25371 | COLLAR 25 x 32 x 10 | 38- 19 | | | 1 | 1 | |
| 194340-25381 | COLLAR 25 x 32 x 20.5 | 36- 20 | 1 | 1 | | | |
| 194340-25381 | COLLAR 25 x 32 x 20.5 | 36- 20 | 1 | 1 | | | |
| 194340-25381 | COLLAR 25 x 32 x 20.5 | 38- 20 | | | 1 | 1 | |
| 194340-25400 | SHAFT, main change 40d x 154L | 36- 25 | 1 | 1 | | | |
| 194340-25400 | SHAFT, main change 40d x 154L | 37- 25 | 1 | 1 | | | |
| 194340-25400 | SHAFT, main change 40d x 154L | 38- 25 | | | 1 | 1 | |
| 194340-25410 | GEAR 25, 1st/reverse sliding | 36- 26 | 1 | 1 | | | |
| 194340-25410 | GEAR 25, 1st/reverse sliding | 37- 26 | 1 | 1 | | | |
| 194340-25410 | GEAR 25, 1st/reverse sliding | 38- 26 | | | 1 | 1 | |
| 194340-25420 | GEAR 17/21, 2nd/3rd sliding | 36- 27 | 1 | 1 | | | |

NUMERICAL PART NO. LIST

NUMERICAL PART NO. LIST

| Part No. | Description | Refer. No. | Qty/Unit | | | | Remarks |
|--------------|-----------------------------|------------|----------|--------|-------|--------|---------|
| | | | YM155 | YM155D | SEM35 | YM135D | |
| 194340-25420 | GEAR 17/21, 2nd/3rd sliding | 38- 27 | | | 1 | 1 | |
| 194340-25421 | GEAR 14/17, 2nd/3rd sliding | 36- 27 | 1 | 1 | | | |
| 194340-25421 | GEAR 14/17, 2nd/3rd sliding | 37- 27 | 1 | 1 | | | |
| 194340-25421 | GEAR 14/17, 2nd/3rd sliding | 38- 27 | | | 1 | 1 | |
| 194340-25430 | GEAR 31, main 82.3d x 14w | 36- 29 | 1 | 1 | | | |
| 194340-25430 | GEAR 31, main 82.3d x 14w | 37- 29 | 1 | 1 | | | |
| 194340-25430 | GEAR 31, main 82.3d x 14w | 38- 29 | | | 1 | 1 | |
| 194340-25530 | GEAR 14/14, reverse | 36- 37 | 1 | 1 | | | |
| 194340-25530 | GEAR 14/14, reverse | 37- 37 | 1 | 1 | | | |
| 194340-25530 | GEAR 14/14, reverse | 38- 37 | | | 1 | 1 | |
| 194340-25660 | COLLAR 25 x 32 x 24 | 36- 15 | 2 | 2 | | | |
| 194340-25660 | COLLAR 25 x 32 x 24 | 37- 15 | 2 | 2 | | | |
| 194340-25660 | COLLAR 25 x 32 x 24 | 38- 15 | | | 2 | 2 | |
| 194340-26240 | GEAR 24 | 36- 78 | 1 | 1 | | | |
| 194340-26240 | GEAR 24 | 38- 78 | | | 1 | 1 | |
| 194340-26241 | GEAR 24 | 36- 78 | 1 | 1 | | | |
| 194340-26241 | GEAR 24 | 38- 78 | | | 1 | 1 | |
| 194340-26310 | SHAFT, P.T.O. driving | 36- 56 | 1 | 1 | | | |
| 194340-26310 | SHAFT, P.T.O. driving | 38- 56 | | | 1 | 1 | |
| 194340-26311 | SHAFT, P.T.O. driving | 36- 56 | 1 | 1 | | | |
| 194340-26311 | SHAFT, P.T.O. driving | 37- 56 | 1 | 1 | | | |
| 194340-26311 | SHAFT, P.T.O. driving | 38- 56 | | | 1 | 1 | |
| 194340-26340 | GEAR 19, P.T.O. sliding | 36- 59 | 1 | 1 | | | |
| 194340-26340 | GEAR 19, P.T.O. sliding | 38- 59 | | | 1 | 1 | |
| 194340-26341 | GEAR 16, P.T.O. sliding | 36- 59 | 1 | 1 | | | |
| 194340-26341 | GEAR 16, P.T.O. sliding | 37- 59 | 1 | 1 | | | |
| 194340-26341 | GEAR 16, P.T.O. sliding | 38- 59 | | | 1 | 1 | |
| 194340-26350 | GEAR 23, P.T.O. reduction | 36- 62 | 1 | 1 | | | |
| 194340-26350 | GEAR 23, P.T.O. reduction | 38- 62 | | | 1 | 1 | |
| 194340-26351 | GEAR 23, P.T.O. reduction | 36- 62 | 1 | 1 | | | |
| 194340-26351 | GEAR 23, P.T.O. reduction | 38- 62 | | | 1 | 1 | |
| 194340-26352 | GEAR 19, P.T.O. reduction | 36- 62 | 1 | 1 | | | |
| 194340-26352 | GEAR 19, P.T.O. reduction | 37- 62 | 1 | 1 | | | |
| 194340-26352 | GEAR 19, P.T.O. reduction | 38- 62 | | | 1 | 1 | |
| 194340-26360 | SHAFT, connecting | 36- 10 | 1 | 1 | | | |
| 194340-26360 | SHAFT, connecting | 38- 10 | | | 1 | 1 | |
| 194340-26361 | SHAFT, connecting | 36- 10 | 1 | 1 | | | |
| 194340-26361 | SHAFT, connecting | 37- 10 | 1 | 1 | | | |
| 194340-26361 | SHAFT, connecting | 38- 10 | | | 1 | 1 | |
| 194340-26370 | COLLAR 25 x 30 x 34 | 36- 75 | 1 | 1 | | | |
| 194340-26370 | COLLAR 25 x 30 x 34 | 37- 75 | 1 | 1 | | | |
| 194340-26370 | COLLAR 25 x 30 x 34 | 38- 75 | | | 1 | 1 | |
| 194340-26380 | SHAFT, P.T.O. reduction | 36- 69 | 1 | 1 | | | |
| 194340-26380 | SHAFT, P.T.O. reduction | 37- 69 | 1 | 1 | | | |
| 194340-26380 | SHAFT, P.T.O. reduction | 38- 69 | | | 1 | 1 | |

| Part No. | Description | Refer. No. | Qty/Unit | | | | Remarks |
|--------------|------------------------------|------------|----------|--------|-------|--------|---------|
| | | | YM155 | YM155D | SEM35 | YM135D | |
| 194340-26391 | GEAR 15, P.T.O. reduction | 36- 66 | 1 | 1 | | | |
| 194340-26391 | GEAR 15, P.T.O. reduction | 38- 66 | | | 1 | 1 | |
| 194340-26392 | GEAR 14, P.T.O. reduction | 36- 66 | 1 | 1 | | | |
| 194340-26392 | GEAR 14, P.T.O. reduction | 37- 66 | 1 | 1 | | | |
| 194340-26392 | GEAR 14, P.T.O. reduction | 38- 66 | | | 1 | 1 | |
| 194340-26410 | SHAFT, P.T.O. | 36- 77 | 1 | 1 | | | |
| 194340-26410 | SHAFT, P.T.O. | 38- 77 | | | 1 | 1 | |
| 194340-26421 | GEAR 24 | 36- 78 | 1 | 1 | | | |
| 194340-26421 | GEAR 24 | 37- 78 | 1 | 1 | | | |
| 194340-26421 | GEAR 24 | 38- 78 | | | 1 | 1 | |
| 194340-26450 | SPRING | 36- 74 | 1 | 1 | | | |
| 194340-26450 | SPRING | 37- 74 | 1 | 1 | | | |
| 194340-26450 | SPRING | 38- 74 | | | 1 | 1 | |
| 194340-26510 | CLUTCH (A) | 36- 70 | 1 | 1 | | | |
| 194340-26510 | CLUTCH (A) | 38- 70 | | | 1 | 1 | |
| 194340-26511 | CLUTCH (A) | 36- 70 | 1 | 1 | | | |
| 194340-26511 | CLUTCH (A) | 37- 70 | 1 | 1 | | | |
| 194340-26511 | CLUTCH (A) | 38- 70 | | | 1 | 1 | |
| 194340-26520 | CLUTCH (B) | 36- 71 | 1 | 1 | | | |
| 194340-26520 | CLUTCH (B) | 37- 71 | 1 | 1 | | | |
| 194340-26520 | CLUTCH (B) | 38- 71 | | | 1 | 1 | |
| 194340-27320 | FORK, 2nd/3rd speed sift | 39- 15 | 1 | 1 | | | |
| 194340-27320 | FORK, 2nd/3rd speed sift | 40- 15 | | | 1 | 1 | |
| 194340-27360 | SHAFT, 2nd/3rd fork, | 39- 17 | 1 | 1 | | | |
| 194340-27360 | SHAFT, 2nd/3rd fork, | 40- 17 | | | 1 | 1 | |
| 194340-27361 | SHAFT, 2nd/3rd fork, | 40- 17 | | | 1 | 1 | |
| 194340-27600 | SHAFT, low-hi fork | 39- 26 | 1 | 1 | | | |
| 194340-27600 | SHAFT, low-hi fork | 40- 26 | | | 1 | 1 | |
| 194340-27631 | SHAFT, 2nd/3rd fork, | 39- 17 | 1 | 1 | | | |
| 194340-27631 | SHAFT, 2nd/3rd fork, | 40- 17 | | | 1 | 1 | |
| 194340-27830 | SHAFT, P.T.O. fork | 39- 53 | 1 | 1 | | | |
| 194340-27830 | SHAFT, P.T.O. fork | 40- 53 | | | 1 | 1 | |
| 194340-27890 | GUIDE w/LABEL, | 39- 61 | 1 | 1 | | | |
| 194340-27890 | GUIDE w/LABEL, | 40- 61 | | | 1 | 1 | |
| 194340-27891 | GUIDE w/LABEL, | 39- 61 | 1 | 1 | | | |
| 194340-27891 | GUIDE w/LABEL, | 40- 61 | | | 1 | 1 | |
| 194340-32650 | HOUSING (R) ASS'Y, rear axle | 42- 35 | 1 | 1 | | | |
| 194340-32810 | BRACKET, socket | 62- 43 | 1 | 1 | | | |
| 194340-32810 | BRACKET, coupler | 63- 1 | 1 | 1 | | | |
| 194340-32810 | BRACKET, coupler | 64- 1 | 1 | 1 | | | |
| 194340-33110 | CLUTCH, differential lock | 45- 9 | 1 | 1 | | | |
| 194340-34610 | TIRE (TURF) | 91- 8 | 2 | 2 | | | |
| 194340-34610 | TIRE (TURF) | 92- 8 | 2 | 2 | | | |

NUMERICAL PART NO. LIST

| Part No. | Description | Refer. No. | Q'ty/Unit | | | | Remarks |
|----------------|-----------------------------|------------|-----------|--------|-------|--------|---------|
| | | | YMI55 | YMI55D | YMI35 | YMI35D | |
| 194340-34940 | TIRE | 50- 19 | 1 | | | | |
| 194340-34940 | TIRE | 50- 24 | 1 | | | | |
| 194340-34940 | TIRE | 51- 16 | | 1 | | | |
| 194340-34940 | TIRE | 51- 21 | | 1 | | | |
| 194340-34940 | TIRE | 52- 19 | 1 | | | | |
| 194340-34940 | TIRE | 52- 24 | 1 | | | | |
| 194340-34940 | TIRE | 53- 16 | | 1 | | | |
| 194340-34940 | TIRE | 53- 21 | | 1 | | | |
| 194340-37350-R | CONNECTOR, brake | 47- 23 | 1 | 1 | | | |
| 194340-37350-R | CONNECTOR, brake | 48- 23 | 1 | 1 | | | |
| 194340-37350-R | CONNECTOR, brake | 49- 23 | | | 1 | 1 | |
| 194340-44410-X | ARM (L), lift | 58- 52 | 1 | 1 | 1 | 1 | |
| 194340-44420-X | ARM (R), lift | 58- 53 | 1 | 1 | 1 | 1 | |
| 194340-48140 | COVER, hydraulic adapter | 60- 20 | 1 | 1 | 1 | 1 | |
| 194340-48210-X | PIPE, high-pressure | 60- 6 | 1 | 1 | 1 | 1 | |
| 194340-48211-X | PIPE, high-pressure | 60- 6 | 1 | 1 | 1 | 1 | |
| 194340-51050 | WIRE HARNESS, main | 62- 1 | 1 | 1 | | | |
| 194340-51051 | WIRE HARNESS, main | 62- 1 | 1 | 1 | | | |
| 194340-51051 | WIRE HARNESS, main | 66- 1 | | | 1 | 1 | |
| 194340-51052 | WIRE HARNESS, main | 62- 1 | 1 | 1 | | | |
| 194340-51060 | WIRE HARNESS, sub | 62- 47 | 1 | 1 | | | |
| 194340-51060 | WIRE HARNESS, sub | 66- 48 | | | 1 | 1 | |
| 194340-51061 | WIRE HARNESS, sub | 62- 47 | 1 | 1 | | | |
| 194340-51070 | CORD, lisece lamp | 64- 2 | 1 | 1 | | | |
| 194340-51082 | HARNESS, wire | 64- 3 | 1 | 1 | | | |
| 194340-51091 | HARNESS, wire | 63- 2 | 1 | 1 | | | |
| 194340-51101 | WIRE HARNESS, main | 61- 1 | 1 | 1 | | | |
| 194340-51101 | WIRE HARNESS, main | 65- 1 | | | 1 | 1 | |
| 194340-51102 | WIRE HARNESS, main | 61- 1 | 1 | 1 | | | |
| 194340-51102 | WIRE HARNESS, main | 65- 1 | | | 1 | 1 | |
| 194340-51102 | WIRE HARNESS, main | 66- 1 | | | 1 | 1 | |
| 194340-51103 | WIRE HARNESS, main | 61- 1 | 1 | 1 | | | |
| 194340-51103 | WIRE HARNESS, main | 65- 1 | | | 1 | 1 | |
| 194340-51190 | CABLE, connecting | 61- 51 | 1 | 1 | | | |
| 194340-51190 | CABLE, connecting | 65- 47 | | | 1 | 1 | |
| 194340-51210 | CORD, side lamp earth | 64- 7 | 1 | 1 | | | |
| 194340-51300 | BATTERY Y60-S4GL (DRY TYPE) | 61- 5 | 1 | 1 | | | |
| 194340-51300 | BATTERY Y60-S4GL | 62- 5 | 1 | 1 | | | |
| 194340-51300 | BATTERY (Y60-S4GL) | 63- 10 | 1 | 1 | | | |
| 194340-51300 | BATTERY (Y60-S4GL) | 64- 10 | 1 | 1 | | | |
| 194340-51310 | CORD | 63- 97 | 1 | 1 | | | |
| 194340-51310 | CORD | 64- 67 | 1 | 1 | | | |
| 194340-51320 | CABLE, side lamp (L) | 62- 52 | 1 | 1 | | | |
| 194340-51320 | CABLE, side lamp (L) | 63- 6 | 1 | 1 | | | |
| 194340-51330 | CABLE, side lamp (R) | 62- 53 | 1 | 1 | | | |

3
3

NUMERICAL PART NO. LIST

| Part No. | Description | Refer. No. | Q'ty/Unit | | | | Remarks |
|----------------|----------------------|------------|-----------|--------|-------|--------|---------|
| | | | YMI55 | YMI55D | YMI35 | YMI35D | |
| 194340-51330 | CABLE, side lamp (R) | 63- 7 | 1 | 1 | | | |
| 194340-52120 | SWITCH, diff. lock | 63- 17 | 1 | 1 | | | |
| 194340-52150 | DIMMER SWITCH ASS'Y | 62- 44 | 1 | 1 | | | |
| 194340-52150 | SWITCH ASS'Y, dimmer | 63- 19 | 1 | 1 | | | |
| 194340-52150 | SWITCH ASS'Y, dimmer | 64- 18 | 1 | 1 | | | |
| 194340-52150 | DIMMER SWITCH ASS'Y | 66- 45 | | | 1 | 1 | |
| 194340-52160 | DIMMER SWITCH | 62- 45 | 1 | 1 | | | |
| 194340-52160 | SWITCH, dimmer | 63- 20 | 1 | 1 | | | |
| 194340-52160 | SWITCH, dimmer | 64- 19 | 1 | 1 | | | |
| 194340-52160 | DIMMER SWITCH | 66- 46 | | | 1 | 1 | |
| 194340-52170 | CAP, dimmer switch | 62- 46 | 1 | 1 | | | |
| 194340-52170 | CAP, dimmer switch | 63- 21 | 1 | 1 | | | |
| 194340-52170 | CAP, dimmer switch | 64- 20 | 1 | 1 | | | |
| 194340-52170 | CAP, dimmer switch | 66- 47 | | | 1 | 1 | |
| 194340-52300 | LAMP ASS'Y, stop | 64- 23 | 1 | 1 | | | |
| 194340-52310 | BRACKET, switch | 76- 47 | 1 | 1 | | | |
| 194340-52330 | PLATE, switch | 48- 51 | 1 | 1 | | | |
| 194340-56050 | HOUR METER | 61- 47 | 1 | 1 | | | |
| 194340-56050 | HOUR METER | 62- 41 | 1 | 1 | | | |
| 194340-56050 | HOUR METER | 63- 80 | 1 | 1 | | | |
| 194340-56050 | HOUR METER | 64- 50 | 1 | 1 | | | |
| 194340-57100 | HORN | 62- 54 | 1 | 1 | | | |
| 194340-57100 | HORN | 63- 85 | 1 | 1 | | | |
| 194340-57100 | HORN | 64- 55 | 1 | 1 | | | |
| 194340-57100 | HORN | 66- 43 | | | 1 | 1 | |
| 194340-57500 | WORK LIGHT | 85- 2 | 1 | 1 | 1 | 1 | |
| 194340-61000-P | HOOD | 67- 1 | 1 | 1 | | | |
| 194340-61000-R | HOOD | 67- 1 | 1 | 1 | | | |
| 194340-61100-P | HOOD | 67- 18 | | | 1 | | |
| 194340-61100-R | HOOD | 68- 1 | 1 | 1 | | | |
| 194340-61100-R | HOOD | 69- 1 | 1 | 1 | | | |
| 194340-61100-R | HOOD | 70- 1 | 1 | 1 | | | |
| 194340-61100-P | HOOD | 67- 2 | | | 1 | | |
| 194340-61100-R | HOOD | 67- 2 | | | 1 | | |
| 194340-61330 | PANEL, hood upper | 68- 34 | 1 | 1 | | | |
| 194340-61330 | PANEL, hood upper | 69- 24 | 1 | 1 | | | |
| 194340-61330 | PANEL, hood upper | 70- 34 | 1 | 1 | | | |
| 194340-61330 | PANEL, hood upper | 72- 27 | | | 1 | 1 | |
| 194340-61400 | HOOD | 70- 1 | 1 | 1 | | | |
| 194340-61500 | PANEL BOX ASS'Y | 67- 47 | 1 | 1 | | | |
| 194340-61520 | INSTRUMENT PANEL | 69- 17 | 1 | 1 | | | |
| 194340-61610 | CAP 20, rubber | 67- 59 | 1 | 1 | | | |
| 194340-61610 | CAP 20, rubber | 68- 42 | 1 | 1 | | | |
| 194340-61610 | CAP 20, rubber | 68- 42 | 1 | 1 | | | |
| 194340-61610 | CAP 20, rubber | 70- 42 | 1 | 1 | | | |

NUMERICAL PART NO. LIST

| Part No. | Description | Refer. No. | Qty/Unit | | | | Remarks |
|----------------|--------------------------|------------|----------|--------|-------|--------|---------|
| | | | YMI55 | YMI55D | YMI35 | YMI35D | |
| | | | | | | | |
| 194340-61610 | CAP 20, rubber | 70- 42 | 1 | 1 | | | |
| 194340-61610 | CAP 20, rubber | 71- 50 | | | 1 | 1 | |
| 194340-61610 | CAP 20, rubber | 71- 50 | | | 1 | 1 | |
| 194340-61610 | CAP 20, rubber | 72- 34 | | | 1 | 1 | |
| 194340-61610 | CAP 20, rubber | 72- 34 | | | 1 | 1 | |
| 194340-62150 | FENDER (L) | 76- 1 | 1 | 1 | | | |
| 194340-62250 | BRACKET, signal lamp | 74- 47 | 2 | 2 | | | |
| 194340-62250 | BRACKET, signal lamp | 78- 47 | | | 2 | 2 | |
| 194340-62430-R | BAR (L), assist | 74- 16 | 1 | 1 | | | |
| 194340-62430-R | BAR (L), assist | 75- 7 | 1 | 1 | | | |
| 194340-62430-R | BAR (L), assist | 76- 16 | 1 | 1 | | | |
| 194340-62430-P | BAR (L), assist | 73- 16 | 1 | 1 | | | |
| 194340-62430-R | BAR (L), assist | 73- 16 | 1 | 1 | | | |
| 194340-62450 | BRACKET, side lamp | 76- 55 | 2 | 2 | | | |
| 194340-62451 | STAY, side lamp | 76- 56 | 1 | 1 | | | |
| 194340-62510 | STAY, side lamp | 76- 57 | 1 | 1 | | | |
| 194340-62550 | STAY, side lamp | 76- 58 | 2 | 2 | | | |
| 194340-62810 | PLATE, lock | 30- 58 | 1 | 1 | | | |
| 194340-62810 | PLATE, lock | 31- 58 | 1 | 1 | | | |
| 194340-62810 | LOCK PLATE | 32- 58 | | | 1 | 1 | |
| 194340-62810 | LOCK PLATE | 33- 58 | | | 1 | 1 | |
| 194340-63210-X | BRACKET, operator's seat | 74- 40 | 1 | 1 | | | |
| 194340-63210-X | BRACKET, operator's seat | 75- 29 | 1 | 1 | | | |
| 194340-63210-X | BRACKET, operator's seat | 76- 40 | 1 | 1 | | | |
| 194340-63210-X | BRACKET, operator's seat | 73- 40 | 1 | 1 | | | |
| 194340-63610 | BRACKET, licence plate | 76- 68 | 1 | 1 | | | |
| 194340-63680 | STAY, licence plate | 76- 69 | 1 | 1 | | | |
| 194340-64350 | STAY, rear-view mirror | 86- 2 | 1 | 1 | | | |
| 194340-64720 | LABEL, side | 67- 15 | 2 | | | | |
| 194340-64720 | LABEL, side | 67- 33 | | 2 | | | |
| 194340-64720 | LABEL, side | 68- 38 | 2 | | | | |
| 194340-64720 | LABEL, side | 70- 38 | 2 | | | | |
| 194340-64720 | LABEL, side | 71- 13 | | 2 | | | |
| 194340-64720 | LABEL, side | 71- 29 | | | 2 | | |
| 194340-64720 | LABEL, side mark | 96- 1 | 2 | | | | |
| 194340-64720 | LABEL, side mark | 97- 1 | 2 | | | | |
| 194340-64720 | LABEL, side mark | 98- 1 | 2 | | | | |
| 194340-64720 | LABEL, side mark | 99- 1 | 2 | | | | |
| 194340-64720 | LABEL, side mark | 100- 1 | 2 | | | | |
| 194340-65151 | LABEL, tractor model | 30- 4 | 1 | | | | |
| 194340-65151 | LABEL, tractor model | 31- 4 | 1 | | | | |
| 194340-65152 | LABEL, tractor model | 30- 4 | 1 | | | | |
| 194340-65152 | LABEL, tractor model | 30- 4 | 1 | | | | |
| 194340-65152 | LABEL, tractor model | 31- 4 | 1 | | | | |
| 194340-65152 | LABEL, tractor model | 31- 4 | 1 | | | | |

NUMERICAL PART NO. LIST

| Part No. | Description | Refer. No. | Qty/Unit | | | | Remarks |
|--------------|-----------------------------|------------|----------|--------|-------|--------|---------|
| | | | YMI55 | YMI55D | YMI35 | YMI35D | |
| | | | | | | | |
| 194340-65152 | LABEL, tractor model | 32- 4 | | | | 1 | |
| 194340-65152 | LABEL, tractor model | 32- 4 | | | | 1 | |
| 194340-65152 | LABEL, tractor model | 33- 4 | | | | 1 | |
| 194340-65200 | LABEL, handling instruction | 30- 6 | 1 | | | | |
| 194340-65200 | LABEL, handling instruction | 30- 15 | | 1 | | | |
| 194340-65200 | LABEL, handling instruction | 31- 6 | 1 | | | | |
| 194340-65200 | LABEL, handling instruction | 31- 15 | | 1 | | | |
| 194340-65200 | LABEL, caution | 96- 3 | 1 | 1 | | | |
| 194340-65200 | LABEL, caution | 97- 3 | 1 | 1 | | | |
| 194340-65200 | LABEL, caution | 99- 3 | 1 | 1 | | | |
| 194340-65300 | LABEL, transmission | 34- 26 | 1 | | | 1 | |
| 194340-65300 | LABEL, gear oil | 96- 4 | 1 | | | | |
| 194340-65300 | LABEL, gear oil | 97- 4 | 1 | | | | |
| 194340-65300 | LABEL, gear oil | 99- 4 | 1 | | | | |
| 194340-65300 | LABEL, gear oil | 101- 5 | | | | 1 | |
| 194340-65320 | LABEL, tractor oiling | 30- 5 | 1 | | | | |
| 194340-65320 | LABEL, tractor oiling | 31- 5 | 1 | | | | |
| 194340-65320 | LABEL, tractor oiling | 32- 5 | | | | 1 | |
| 194340-65320 | LABEL, tractor oiling | 33- 5 | | | | 1 | |
| 194340-65320 | LABEL, lubrication | 96- 7 | 1 | | | | |
| 194340-65320 | LABEL, lubrication | 97- 7 | 1 | | | | |
| 194340-65320 | LABEL, lubrication | 99- 7 | 1 | | | | |
| 194340-65320 | LABEL, lubrication | 101- 8 | | | | 1 | |
| 194340-65330 | LABEL, diff. pilot | 99- 9 | 1 | 1 | | | |
| 194340-65340 | LABEL, check | 99- 10 | 1 | 1 | | | |
| 194340-65441 | LABEL, differential lock | 73- 7 | 1 | 1 | | | |
| 194340-65441 | LABEL, differential lock | 73- 14 | 1 | 1 | | | |
| 194340-65441 | LABEL, differential lock | 77- 7 | | | | 1 | 1 |
| 194340-65441 | LABEL, differential lock | 77- 14 | | | | 1 | 1 |
| 194340-65441 | LABEL, differential lock | 96- 13 | 1 | 1 | | | |
| 194340-65441 | LABEL, differential lock | 97- 13 | 1 | 1 | | | |
| 194340-65441 | LABEL, differential lock | 99- 15 | 1 | 1 | | | |
| 194340-65441 | LABEL, differential lock | 100-11 | 1 | 1 | | | |
| 194340-65441 | LABEL, differential lock | 101-13 | | | | 1 | 1 |
| 194340-65501 | MODEL PLATE (L) | 67- 3 | 1 | | | | |
| 194340-65501 | LABEL (L) | 98- 8 | 1 | | | | |
| 194340-65502 | MODEL PLATE (L) | 67- 3 | 1 | 1 | | | |
| 194340-65502 | MODEL PLATE (L) | 67- 19 | | | | 1 | |
| 194340-65502 | MODEL PLATE (L) | 68- 2 | 1 | 1 | | | |
| 194340-65502 | MODEL PLATE (L) | 70- 2 | 1 | 1 | | | |
| 194340-65502 | LABEL (L) | 98- 10 | 1 | 1 | | | |
| 194340-65510 | LABEL (R) | 96- 15 | 1 | 1 | | | |
| 194340-65510 | LABEL (R) | 97- 15 | 1 | 1 | | | |
| 194340-65510 | LABEL (R) | 99- 17 | 1 | 1 | | | |
| 194340-65510 | LABEL (R) | 100-14 | 1 | 1 | | | |

NUMERICAL PART NO. LIST

| Part No. | Description | Refer. No. | Q'ty/Unit | | | | Remarks |
|--------------|----------------------------|------------|-----------|--------|-------|--------|---------|
| | | | YMI55 | YMI55D | YMI35 | YMI35D | |
| 194340-65510 | LABEL (R) | 101-15 | | | 1 | 1 | |
| 194340-65511 | MODEL PLATE (R) | 67- 4 | 1 | | | | |
| 194340-65511 | MODEL PLATE (R) | 67- 22 | | 1 | | | |
| 194340-65511 | LABEL (R) | 98- 9 | 1 | | | | |
| 194340-65512 | MODEL PLATE (R) | 67- 4 | 1 | 1 | | | |
| 194340-65512 | MODEL PLATE (R) | 67- 20 | | 1 | | | |
| 194340-65512 | MODEL PLATE (R) | 68- 3 | 1 | 1 | | | |
| 194340-65512 | MODEL PLATE (R) | 70- 3 | 1 | 1 | | | |
| 194340-65512 | LABEL (R) | 98- 11 | 1 | 1 | | | |
| 194340-65590 | LABEL, decompression | 67- 56 | 1 | 1 | | | |
| 194340-65590 | LABEL, decompression | 71- 47 | | | 1 | 1 | |
| 194340-65590 | LABEL, decompression | 72- 21 | | | 1 | 1 | |
| 194340-65590 | LABEL, decompression | 96- 17 | 1 | 1 | | | |
| 194340-65590 | LABEL, decompression | 97- 17 | 1 | 1 | | | |
| 194340-65590 | LABEL, decompression | 99- 19 | 1 | 1 | | | |
| 194340-65590 | LABEL, decompression | 101-17 | | | 1 | 1 | |
| 194340-65601 | LABEL, L.H. indication | 73- 6 | 1 | 1 | | | |
| 194340-65601 | LABEL, L.H. indication | 73- 12 | 1 | 1 | | | |
| 194340-65601 | LABEL, L.H. indication | 77- 6 | | | 1 | 1 | |
| 194340-65601 | LABEL, L.H. indication | 77- 12 | | | 1 | 1 | |
| 194340-65601 | LABEL, subtransmission | 96- 18 | 1 | 1 | | | |
| 194340-65601 | LABEL, subtransmission | 97- 18 | 1 | 1 | | | |
| 194340-65601 | LABEL, subtransmission | 99- 20 | 1 | 1 | | | |
| 194340-65601 | LABEL, subtransmission | 101-18 | | | 1 | 1 | |
| 194340-65670 | LABEL, P.T.O. | 96- 22 | 1 | 1 | | | |
| 194340-65670 | LABEL, P.T.O. | 97- 22 | 1 | 1 | | | |
| 194340-65670 | LABEL, P.T.O. | 99- 24 | 1 | 1 | | | |
| 194340-65670 | LABEL, P.T.O. | 101-22 | | | 1 | 1 | |
| 194340-65673 | LABEL, P.T.O. speed change | 39- 63 | 1 | 1 | | | |
| 194340-65673 | LABEL, P.T.O. speed change | 40- 63 | | | 1 | 1 | |
| 194340-65674 | LABEL, P.T.O. speed change | 39- 63 | 1 | 1 | | | |
| 194340-65674 | LABEL, P.T.O. speed change | 40- 63 | | | 1 | 1 | |
| 194340-65675 | LABEL, P.T.O. speed change | 39- 63 | 1 | 1 | | | |
| 194340-65675 | LABEL, P.T.O. speed change | 39- 63 | 1 | 1 | | | |
| 194340-65675 | LABEL, P.T.O. speed change | 40- 63 | | | 1 | 1 | |
| 194340-65675 | LABEL, P.T.O. speed change | 40- 63 | | | 1 | 1 | |
| 194340-65690 | LABEL, slow return valve | 73- 4 | 1 | 1 | | | |
| 194340-65690 | LABEL, slow return valve | 73- 10 | 1 | 1 | | | |
| 194340-65690 | LABEL, slow return valve | 77- 4 | | | 1 | 1 | |
| 194340-65690 | LABEL, slow return valve | 77- 10 | | | 1 | 1 | |
| 194340-65690 | LABEL, slow return | 96- 23 | 1 | 1 | | | |
| 194340-65690 | LABEL, slow return | 97- 23 | 1 | 1 | | | |
| 194340-65690 | LABEL, slow return | 99- 25 | 1 | 1 | | | |
| 194340-65690 | LABEL, slow return | 101-23 | | | 1 | 1 | |
| 194340-65720 | LABEL, key switch | 67- 54 | 1 | 1 | | | |

1
3
1

NUMERICAL PART NO. LIST

| Part No. | Description | Refer. No. | Q'ty/Unit | | | | Remarks |
|----------------|------------------------------|------------|-----------|--------|-------|--------|---------|
| | | | YMI55 | YMI55D | YMI35 | YMI35D | |
| 194340-65720 | LABEL, key switch | 67- 54 | 1 | 1 | | | |
| 194340-65720 | LABEL, key switch | 71- 45 | | | 1 | 1 | |
| 194340-65720 | LABEL, key switch | 72- 19 | | | 1 | 1 | |
| 194340-65720 | LABEL, key switch | 96- 26 | 1 | 1 | | | |
| 194340-65720 | LABEL, key switch | 97- 26 | 1 | 1 | | | |
| 194340-65720 | LABEL, key switch | 99- 28 | 1 | 1 | | | |
| 194340-65720 | LABEL, key switch | 101-26 | | | 1 | 1 | |
| 194340-65750 | LABEL, stop valve | 34- 21 | 1 | 1 | 1 | 1 | |
| 194340-65750 | LABEL, oil press. stop | 96- 27 | 1 | 1 | | | |
| 194340-65750 | LABEL, oil press. stop | 97- 27 | 1 | 1 | | | |
| 194340-65750 | LABEL, oil press. stop | 99- 29 | 1 | 1 | | | |
| 194340-65750 | LABEL, oil press. stop | 101-27 | | | 1 | 1 | |
| 194340-65770 | LABEL, engine stop | 99- 30 | 1 | 1 | | | |
| 194340-65780 | LABEL, P.T.O. | 73- 52 | 1 | 1 | | | |
| 194340-65780 | LABEL, P.T.O. | 73- 52 | 1 | 1 | | | |
| 194340-65780 | LABEL, P.T.O. | 77- 52 | | | 1 | 1 | |
| 194340-65780 | LABEL, P.T.O. | 77- 52 | | | 1 | 1 | |
| 194340-65780 | LABEL, P.T.O. caution | 96- 28 | 1 | 1 | | | |
| 194340-65780 | LABEL, P.T.O. caution | 97- 28 | 1 | 1 | | | |
| 194340-65780 | LABEL, P.T.O. caution | 99- 31 | 1 | 1 | | | |
| 194340-65810 | LABEL, clutch caution | 100-22 | 1 | 1 | | | |
| 194340-65820 | LABEL, oil press. stop | 100-23 | 1 | 1 | | | |
| 194340-65830 | LABEL, T.D.F. | 100-24 | 1 | 1 | | | |
| 194340-65840 | LABEL, flusher | 100-25 | 1 | 1 | | | |
| 194340-65850 | LABEL, slow return | 100-26 | 1 | 1 | | | |
| 194340-65860 | LABEL, subtransmission | 100-27 | 1 | 1 | | | |
| 194340-65880 | LABEL, lubrication | 100-29 | 1 | 1 | | | |
| 194340-66320 | LABEL, fuel | 98- 12 | 1 | 1 | | | |
| 194340-66320 | LABEL, fuel | 102-12 | | | 1 | 1 | |
| 194340-72230-X | TURNBUCKLE, lift link | 81- 20 | 1 | 1 | 1 | 1 | |
| 194340-72230-X | TURNBUCKLE, lift link | 82- 20 | 1 | 1 | 1 | 1 | |
| 194340-74700-X | CHECK CHAIN, complete, front | 81- 32 | 2 | 2 | 2 | 2 | |
| 194340-74700-X | CHECK CHAIN, complete, front | 82- 32 | 2 | 2 | 2 | 2 | |
| 194340-74800-X | CHECK CHAIN, complete, rear | 81- 34 | 2 | 2 | 2 | 2 | |
| 194340-74800-X | CHECK CHAIN, complete, rear | 82- 34 | 2 | 2 | 2 | 2 | |
| 194340-75410-X | HITCH, complete, rear | 79- 1 | 1 | 1 | | | |
| 194340-75410-X | HITCH, complete, rear | 80- 1 | 1 | 1 | | | |
| 194340-75530 | PIN, rear hitch | 79- 7 | 1 | 1 | | | |
| 194340-75560 | PIN, rear hitch | 80- 7 | 1 | 1 | | | |
| 194340-75650 | HITCH, drawbar | 79- 10 | 1 | 1 | | | |
| 194340-75670 | HITCH (A), drawbar | 80- 11 | 1 | 1 | | | |
| 194340-75680 | HITCH (B), drawbar | 80- 12 | 1 | 1 | | | |
| 194340-75740 | LS-LOCK NUT M18 x 1.5 | 81- 29 | 1 | 1 | 1 | 1 | |
| 194340-75740 | LS-LOCK NUT M18 x 1.5 | 82- 29 | 1 | 1 | 1 | 1 | |
| 194340-83120 | SHIM 0.2 | 94- 47 | 4 | 4 | | | |

NUMERICAL PART NO. LIST

NUMERICAL PART NO. LIST

| Part No. | Description | Refer. No. | Q'ty/Unit | | | | Remarks |
|----------------|----------------------|------------|-----------|--------|-------|--------|---------|
| | | | YMI55 | YMI55D | YMI35 | YMI35D | |
| 194340-83120 | SHIM 0.2 | 95- 35 | | | 4 | 4 | |
| 194340-83130 | SHIM 1.0 | 94- 45 | 4 | 4 | | | |
| 194340-83130 | SHIM 1.0 | 95- 33 | | | 4 | 4 | |
| 194340-83140 | SHIM 0.5 | 94- 46 | 4 | 4 | | | |
| 194340-83140 | SHIM 0.5 | 95- 34 | | | 4 | 4 | |
| 194340-83150 | COVER, battery | 94- 26 | 1 | 1 | | | |
| 194340-83150-X | COVER, battery | 94- 26 | 1 | 1 | | | |
| 194340-83170 | UNIT BRACKET ASS'Y | 95- 13 | | | 1 | 1 | |
| 194340-83171 | UNIT BRACKET ASS'Y | 94- 13 | 1 | 1 | | | |
| 194340-83270 | SHAFT, P.T.O. | 94- 16 | 1 | 1 | | | |
| 194340-83270 | SHAFT, P.T.O. | 95- 16 | | | 1 | 1 | |
| 194340-83270-X | SHAFT, P.T.O. | 94- 16 | 1 | 1 | | | |
| 194340-83270-X | SHAFT, P.T.O. | 95- 16 | | | 1 | 1 | |
| 194340-83271 | SHAFT, P.T.O. | 94- 16 | 1 | 1 | | | |
| 194340-83271-X | SHAFT, P.T.O. | 94- 16 | 1 | 1 | | | |
| 194340-83280 | UNIT BRACKET | 94- 14 | 1 | 1 | | | |
| 194340-83280 | UNIT BRACKET | 95- 14 | | | 1 | 1 | |
| 194340-83281 | UNIT BRACKET | 94- 14 | 1 | 1 | | | |
| 194340-83281 | UNIT BRACKET | 95- 14 | | | 1 | 1 | |
| 194340-83290 | COLLAR 20 x 25 x 8.5 | 94- 19 | 1 | 1 | | | |
| 194340-83290 | COLLAR 20 x 25 x 8.5 | 95- 19 | | | 1 | 1 | |
| 194340-83310 | CABLE (A) | 94- 22 | 1 | 1 | | | |
| 194340-83310 | CABLE (A) | 95- 22 | | | 1 | 1 | |
| 194340-83320 | CABLE (B) | 94- 23 | 1 | 1 | | | |
| 194340-83320 | CABLE (B) | 95- 23 | | | 1 | 1 | |
| 194340-83330 | BRACKET, battery | 94- 38 | 1 | 1 | | | |
| 194340-83340 | BALL BEARING | 94- 15 | 2 | 2 | | | |
| 194340-83340 | BALL BEARING | 95- 15 | | | 2 | 2 | |
| 194340-83341 | BALL BEARING | 94- 15 | 1 | 1 | | | |
| 194340-83341 | BALL BEARING | 95- 15 | | | 1 | 1 | |
| 194340-83350 | BRACKET, switch | 94- 25 | 1 | 1 | | | |
| 194340-83350 | BRACKET, switch | 95- 24 | | | 1 | 1 | |
| 194340-83350-X | BRACKET, switch | 94- 25 | 1 | 1 | | | |
| 194340-83350-X | BRACKET, switch | 95- 24 | | | 1 | 1 | |
| 194340-83370 | SHAFT, connecting | 94- 41 | 1 | 1 | | | |
| 194340-83390 | JOINT, front P.T.O. | 94- 40 | 2 | 2 | | | |
| 194340-83390 | JOINT, front P.T.O. | 95- 30 | | | 2 | 2 | |
| 194340-83450 | COVER | 94- 39 | 1 | 1 | | | |
| 194340-98240 | LABEL, pilot lamp | 68- 29 | 1 | 1 | | | |
| 194340-98240 | LABEL, pilot lamp | 70- 29 | 1 | 1 | | | |
| 194340-98240 | LABEL, pilot | 98- 15 | 1 | 1 | | | |
| 194340-98240 | LABEL, pilot | 102-15 | | | 1 | 1 | |
| 194340-98270 | LABEL, decompression | 68- 28 | 1 | 1 | | | |
| 194340-98270 | LABEL, decompression | 70- 28 | 1 | 1 | | | |
| 194340-98270 | LABEL, decompression | 98- 18 | 1 | 1 | | | |

| Part No. | Description | Refer. No. | Q'ty/Unit | | | | Remarks |
|----------------|------------------------------|------------|-----------|--------|-------|--------|---------|
| | | | YMI55 | YMI55D | YMI35 | YMI35D | |
| 194340-98270 | LABEL, decompression | 102-18 | | | 1 | 1 | |
| 194340-98280 | LABEL, clutch handling | 98- 19 | 1 | 1 | | | |
| 194340-98280 | LABEL, clutch handling | 102-19 | | | 1 | 1 | |
| 194340-98340 | LABEL, PDF | 98- 25 | 1 | 1 | | | |
| 194340-98340 | LABEL, PDF | 102-25 | | | 1 | 1 | |
| 194340-98370 | LABEL, L.H. indication | 74- 6 | 1 | 1 | | | |
| 194340-98370 | LABEL, L.H. indication | 74- 12 | 1 | 1 | | | |
| 194340-98370 | LABEL, L.H. indication | 76- 6 | 1 | 1 | | | |
| 194340-98370 | LABEL, L.H. indication | 76- 12 | 1 | 1 | | | |
| 194340-98370 | LABEL, L.H. indication | 78- 6 | | | 1 | 1 | |
| 194340-98370 | LABEL, L.H. indication | 78- 12 | | | 1 | 1 | |
| 194340-98370 | LABEL, subtransmission | 98- 28 | 1 | 1 | | | |
| 194340-98370 | LABEL, subtransmission | 102-28 | | | 1 | 1 | |
| 194340-98390 | LABEL, oil press. stop | 98- 30 | 1 | 1 | | | |
| 194340-98390 | LABEL, oil press. stop | 102-30 | | | 1 | 1 | |
| 194340-98391 | LABEL, oil press. stop | 98- 30 | 1 | 1 | | | |
| 194340-98391 | LABEL, oil press. stop | 102-30 | | | 1 | 1 | |
| 194340-98420 | LABEL, slow return valve | 74- 4 | 1 | 1 | | | |
| 194340-98420 | LABEL, slow return valve | 74- 10 | 1 | 1 | | | |
| 194340-98420 | LABEL, slow return valve | 76- 4 | 1 | 1 | | | |
| 194340-98420 | LABEL, slow return valve | 76- 10 | 1 | 1 | | | |
| 194340-98420 | LABEL, slow return valve | 78- 4 | | | 1 | 1 | |
| 194340-98420 | LABEL, slow return valve | 78- 10 | | | 1 | 1 | |
| 194340-98420 | LABEL, slow return | 98- 33 | 1 | 1 | | | |
| 194340-98421 | LABEL, slow return | 98- 33 | 1 | 1 | | | |
| 194340-98421 | LABEL, slow return | 102-33 | | | 1 | 1 | |
| 194341-11100-X | BRACKET, front axle | 25- 1 | | | 1 | | |
| 194341-11101-X | BRACKET, front axle | 25- 1 | | | 1 | | |
| 194341-11880 | WHEEL, disc 5-JA x 12WDC | 92- 5 | 2 | 2 | | | |
| 194341-12870 | TIRE 5-12, front wheel | 51- 3 | | | 2 | | |
| 194341-12870 | TIRE 5-12, front wheel | 51- 8 | | | 2 | | |
| 194341-12870 | TIRE 5-12, front wheel | 53- 3 | | | 2 | | |
| 194341-12870 | TIRE 5-12, front wheel | 53- 8 | | | 2 | | |
| 194341-12870 | TIRE 5-12, front wheel | 55- 3 | | | | 2 | |
| 194341-12870 | TIRE 5-12, front wheel | 55- 8 | | | | 2 | |
| 194341-12870 | TIRE 5-12, front wheel | 57- 3 | | | | 2 | |
| 194341-12870 | TIRE 5-12, front wheel | 57- 8 | | | | 2 | |
| 194341-12930 | TIRE ASS'Y 5-12, front wheel | 51- 2 | | | 1 | | |
| 194341-12930 | TIRE ASS'Y 5-12, front wheel | 51- 7 | | | 1 | | |
| 194341-12930 | TIRE ASS'Y 5-12, front wheel | 53- 2 | | | 1 | | |
| 194341-12930 | TIRE ASS'Y 5-12, front wheel | 53- 7 | | | 1 | | |
| 194341-12930 | TIRE ASS'Y 5-12, front wheel | 55- 2 | | | | 1 | |
| 194341-12930 | TIRE ASS'Y 5-12, front wheel | 55- 7 | | | | 1 | |
| 194341-12930 | TIRE ASS'Y 5-12, front wheel | 57- 2 | | | | 1 | |
| 194341-12930 | TIRE ASS'Y 5-12, front wheel | 57- 7 | | | | 1 | |

NUMERICAL PART NO. LIST

| Part No. | Description | Refer. No. | Q'ty/Unit | | | | Remarks |
|----------------|-------------------------------|------------|-----------|--------|-------|--------|---------|
| | | | YMI55 | YMI55D | YMI35 | YMI35D | |
| 194341-13610 | AXLE (L), front | 25- 24 | 1 | | | | |
| 194341-13610 | AXLE (L), front | 26- 24 | | 1 | | | |
| 194341-13610-X | AXLE (L), front | 25- 24 | 1 | | | | |
| 194341-13610-X | AXLE (L), front | 26- 24 | | 1 | | | |
| 194341-13621 | AXLE (R), front | 25- 25 | 1 | | | | |
| 194341-13621 | AXLE (R), front | 26- 25 | | 1 | | | |
| 194341-13621-X | AXLE (R), front | 25- 25 | 1 | | | | |
| 194341-13621-X | AXLE (R), front | 26- 25 | | 1 | | | |
| 194341-13740 | PACKING, | 25- 26 | 2 | | | | |
| 194341-13740 | PACKING, | 26- 26 | | 2 | | | |
| 194341-13790 | LINER 22.5 x 40 x 1 | 25- 71 | 4 | | | | |
| 194341-13790 | LINER 22.5 x 40 x 1 | 26- 71 | | 4 | | | |
| 194341-13820 | GEAR CASE, lower front | 25- 35 | 2 | | | | |
| 194341-13820 | GEAR CASE, lower front | 26- 35 | | 2 | | | |
| 194341-13820-X | GEAR CASE, lower front | 25- 35 | 2 | | | | |
| 194341-13820-X | GEAR CASE, lower front | 26- 35 | | 2 | | | |
| 194341-13840 | OIL SEAL TC135 x 165 x 14 | 25- 38 | 2 | | | | |
| 194341-13840 | OIL SEAL TC135 x 165 x 14 | 26- 38 | | 2 | | | |
| 194341-13900 | KING PIN | 25- 39 | 2 | | | | |
| 194341-13900 | KING PIN | 26- 39 | | 2 | | | |
| 194341-13900-X | KING PIN | 25- 39 | 2 | | | | |
| 194341-13900-X | KING PIN | 26- 39 | | 2 | | | |
| 194341-13950 | PACKING, front gear | 25- 40 | 2 | | | | |
| 194341-13950 | PACKING, front gear | 26- 40 | | 2 | | | |
| 194341-13960 | LINER 25.5 x 60 x 1.6 | 25- 74 | 2 | | | | |
| 194341-13960 | LINER 25.5 x 60 x 1.6 | 26- 74 | | 2 | | | |
| 194341-13970 | COLLAR 25 x 34 x 70.67 | 27- 76 | 2 | | | | |
| 194341-13980 | SHIM 22.5 x 40 x 0.3 | 25- 72 | - | - | | | |
| 194341-13980 | SHIM 22.5 x 40 x 0.3 | 26- 72 | - | - | | | |
| 194341-13990 | SHIM 22.5 x 40 x 0.1 | 25- 73 | - | - | | | |
| 194341-13990 | SHIM 22.5 x 40 x 0.1 | 26- 73 | - | - | | | |
| 194341-14200 | SHAFT, front driving | 27- 55 | 2 | | | | |
| 194341-14201 | SHAFT, front driving | 27- 55 | 2 | 2 | | | |
| 194341-14210 | LINER 25.5 x 32 x 1 | 27- 80 | 2 | 2 | | | |
| 194341-14220 | SHIM 26 x 33 x 0.1 | 27- 85 | - | - | | | |
| 194341-14230 | BEVEL GEAR 14 64d x 33L | 27- 58 | 2 | 2 | | | |
| 194341-14240 | SHIM 26 x 33 x 0.3 | 27- 86 | - | - | | | |
| 194341-14250 | BEVEL GEAR, king pin l1ld | 27- 59 | 2 | 2 | | | |
| 194341-14260 | NEEDLE BEARING KT25 x 31 x 20 | 27- 60 | 4 | 4 | | | |
| 194341-14340 | OIL SEAL, TC25 x 45 x 8 | 27- 82 | 2 | 2 | | | |
| 194341-14350 | SHAFT, front axle | 51- 13 | 2 | | | | |
| 194341-14350 | SHAFT, front axle | 53- 13 | 2 | | | | |
| 194341-14350 | SHAFT, front axle | 55- 13 | | 2 | | | |
| 194341-14350 | SHAFT, front axle | 57- 13 | | 2 | | | |
| 194341-14420 | BEVEL GEAR 20 | 27- 72 | 2 | 2 | | | |

- 37 -

NUMERICAL PART NO. LIST

| Part No. | Description | Refer. No. | Q'ty/Unit | | | | Remarks |
|----------------|-------------------------------|------------|-----------|--------|-------|--------|---------|
| | | | YMI55 | YMI55D | YMI35 | YMI35D | |
| 194341-14430 | COLLAR 30 x 38 x 13.5 | 27- 77 | | 2 | | 2 | |
| 194341-14480 | COLLAR 30.5 x 45 x 9.5 | 27- 79 | | 2 | | 2 | |
| 194341-14510-X | ARM (L), knuckle | 26- 48 | | | | 1 | |
| 194341-14510-X | ARM (L), knuckle | 25- 48 | 1 | | | | |
| 194341-14520-X | ARM (R), knuckle | 26- 49 | | | | 1 | |
| 194341-14520-X | ARM (R), knuckle | 25- 49 | | 1 | | | |
| 194341-14530-X | ARM (L), knuckel | 25- 48 | | 1 | | | |
| 194341-15610-X | ARM, pitman | 28- 34 | | 1 | | | |
| 194341-16110-X | DRAG-ROD | 28- 47 | | 1 | | | |
| 194341-21110 | HOUSING, complete, clutch | 31- 11 | | 1 | | | |
| 194341-25540 | GEAR 20, front driving | 36- 39 | | 1 | | | |
| 194341-25540 | GEAR 20, front driving | 37- 39 | | 1 | | | |
| 194341-26120 | GEAR 25, front P.T.O. sliding | 36- 50 | | 1 | | | |
| 194341-26120 | GEAR 25, front P.T.O. sliding | 37- 50 | | 1 | | | |
| 194341-61000 | HOOD ASS'Y | 67- 17 | | 1 | | | |
| 194341-64720 | LABEL, side | 67- 33 | | 2 | | | |
| 194341-64720 | LABEL, side | 68- 39 | | 2 | | | |
| 194341-64720 | LABEL, side | 70- 39 | | 2 | | | |
| 194341-64720 | LABEL, side mark | 96- 2 | | 2 | | | |
| 194341-64720 | LABEL, side mark | 97- 2 | | 2 | | | |
| 194341-64720 | LABEL, side mark | 98- 2 | | 2 | | | |
| 194341-64720 | LABEL, side mark | 99- 2 | | 2 | | | |
| 194341-64720 | LABEL, side mark | 100- 2 | | 2 | | | |
| 194341-65151 | LABEL, tractor model | 30- 13 | | 1 | | | |
| 194341-65151 | LABEL, tractor model | 31- 13 | | 1 | | | |
| 194341-65152 | LABEL, tractor model | 30- 13 | | 1 | | | |
| 194341-65152 | LABEL, tractor model | 30- 13 | | 1 | | | |
| 194341-65152 | LABEL, tractor model | 31- 13 | | 1 | | | |
| 194341-65152 | LABEL, tractor model | 31- 13 | | 1 | | | |
| 194341-65152 | LABEL, tractor model | 32- 13 | | | | 1 | |
| 194341-65152 | LABEL, tractor model | 32- 13 | | | | 1 | |
| 194341-65152 | LABEL, tractor model | 33- 13 | | | | 1 | |
| 194341-65300 | LABEL, transmission | 34- 30 | | 1 | | 1 | |
| 194341-65300 | LABEL, gear oil | 96- 5 | | 1 | | | |
| 194341-65300 | LABEL, gear oil | 97- 5 | | 1 | | | |
| 194341-65300 | LABEL, gear oil | 99- 5 | | 1 | | | |
| 194341-65300 | LABEL, gear oil | 101- 6 | | | | 1 | |
| 194341-65310 | LABEL, front axle oiling | 25- 33 | | 1 | | | |
| 194341-65310 | LABEL, front axle oiling | 26- 33 | | | | 1 | |
| 194341-65311 | LABEL, front axle oiling | 25- 33 | | 1 | | | |
| 194341-65311 | LABEL, front axle oiling | 25- 33 | | 1 | | | |
| 194341-65311 | LABEL, front axle oiling | 26- 33 | | | | 1 | |
| 194341-65311 | LABEL, front axle oiling | 26- 33 | | | | 1 | |
| 194341-65311 | LABEL, 4-wheel oil | 96- 6 | | 1 | | | |
| 194341-65311 | LABEL, 4-wheel oil | 97- 6 | | 1 | | | |

NUMERICAL PART NO. LIST

| Part No. | Description | Refer. No. | Q'ty/Unit | | | | Remarks |
|----------------|--------------------------|------------|-----------|--------|-------|--------|---------|
| | | | YMI55 | YMI55P | YMI35 | YMI35P | |
| 194341-65311 | LABEL, 4-wheel oil | 99- 6 | 1 | | | | |
| 194341-65311 | LABEL, 4-wheel oil | 101- 7 | | 1 | | | |
| 194341-65320 | LABEL, tractor oiling | 30- 14 | 1 | | | | |
| 194341-65320 | LABEL, tractor oiling | 31- 14 | 1 | | | | |
| 194341-65320 | LABEL, tractor oiling | 32- 14 | | 1 | | | |
| 194341-65320 | LABEL, tractor oiling | 33- 14 | | 1 | | | |
| 194341-65320 | LABEL, lubrication | 96- 8 | 1 | | | | |
| 194341-65320 | LABEL, lubrication | 97- 8 | 1 | | | | |
| 194341-65320 | LABEL, lubrication | 99- 8 | 1 | | | | |
| 194341-65320 | LABEL, lubrication | 101- 9 | | 1 | | | |
| 194341-65501 | MODEL PLATE (L) | 67- 21 | 1 | | | | |
| 194341-65501 | LABEL (L) | 98- 8 | 1 | | | | |
| 194341-65511 | LABEL (R) | 98- 9 | 1 | | | | |
| 194341-65661 | LABEL, front P.T.O. | 73- 13 | 1 | | | | |
| 194341-65661 | LABEL, front P.T.O. | 77- 13 | | 1 | | | |
| 194341-65661 | LABEL, 4-wheel driving | 96- 20 | 1 | | | | |
| 194341-65661 | LABEL, 4-wheel driving | 97- 20 | 1 | | | | |
| 194341-65661 | LABEL, 4-wheel driving | 99- 22 | 1 | | | | |
| 194341-65661 | LABEL, 4-wheel driving | 101-20 | | 1 | | | |
| 194341-65870 | LABEL, 4-wheel driving | 100-28 | 1 | | | | |
| 194341-65880 | LABEL, lubrication | 100-30 | 1 | | | | |
| 194341-98350 | LABEL, front P.T.O. | 74- 13 | 1 | | | | |
| 194341-98350 | LABEL, front P.T.O. | 76- 13 | 1 | | | | |
| 194341-98350 | LABEL, front P.T.O. | 78- 13 | | 1 | | | |
| 194341-98350 | LABEL, 4-wheel driving | 98- 26 | 1 | | | | |
| 194341-98350 | LABEL, 4-wheel driving | 102-26 | | 1 | | | |
| 194345-52490-X | BRACKET, fuse box | 21- 30 | 1 | 1 | | | |
| 194345-52490-X | BRACKET, fuse box | 22- 28 | | 2 | 2 | | |
| 194345-55100 | PILOT LAMP ASS'Y, water | 65- 41 | | 1 | 1 | | |
| 194345-55110 | PILOT LAMP ASS'Y, water | 61- 43 | 1 | 1 | | | |
| 194345-55110 | PILOT LAMP ASS'Y, water | 62- 34 | 1 | 1 | | | |
| 194345-55110 | PILOT LAMP ASS'Y, water | 63- 71 | 1 | 1 | | | |
| 194345-55110 | PILOT LAMP ASS'Y, water | 66- 35 | | 1 | 1 | | |
| 194345-55120 | LAMP ASS'Y, oil pressure | 61- 45 | 1 | 1 | | | |
| 194345-55120 | LAMP ASS'Y, oil pressure | 63- 73 | 1 | 1 | | | |
| 194345-55120 | LAMP ASS'Y, oil pressure | 65- 43 | | 1 | 1 | | |
| 194345-61220 | LINNING, hood front | 67- 5 | 1 | 1 | | | |
| 194345-61220 | LINNING, hood front | 67- 23 | 1 | 1 | | | |
| 194345-61220 | LINNING, hood front | 68- 4 | 1 | 1 | | | |
| 194345-61220 | LINNING, hood front | 69- 2 | 1 | 1 | | | |
| 194345-61220 | LINNING, hood front | 70- 4 | 1 | 1 | | | |
| 194345-61230 | LINNING, hood left | 67- 6 | 1 | 1 | | | |
| 194345-61230 | LINNING, hood left | 67- 24 | 1 | 1 | | | |
| 194345-61230 | LINNING, hood left | 68- 5 | 1 | 1 | | | |
| 194345-61230 | LINNING, hood left | 69- 3 | 1 | 1 | | | |

- 8 -

NUMERICAL PART NO. LIST

| Part No. | Description | Refer. No. | Q'ty/Unit | | | | Remarks |
|----------------|-------------------------------|------------|-----------|--------|-------|--------|---------|
| | | | YMI55 | YMI55P | YMI35 | YMI35P | |
| 194345-61230 | LINNING, hood left | 70- 5 | 1 | 1 | | | |
| 194345-61240 | LINNING, hood right | 67- 7 | 1 | 1 | | | |
| 194345-61240 | LINNING, hood right | 67- 25 | 1 | 1 | | | |
| 194345-61240 | LINNING, hood right | 68- 6 | 1 | 1 | | | |
| 194345-61240 | LINNING, hood right | 69- 4 | 1 | 1 | | | |
| 194345-61240 | LINNING, hood right | 70- 6 | 1 | 1 | | | |
| 194345-65100 | LABEL, steering wheel | 28- 39 | 1 | 1 | | | |
| 194345-65500 | LABEL (L) | 96- 14 | 1 | 1 | | | |
| 194345-65500 | LABEL (L) | 97- 14 | 1 | 1 | | | |
| 194345-65500 | LABEL (L) | 99- 16 | 1 | 1 | | | |
| 194345-65500 | LABEL (L) | 100-13 | 1 | 1 | | | |
| 194345-65500 | LABEL (L) | 101-14 | | 1 | 1 | | |
| 194345-65501 | LABEL (L) | 96- 14 | 1 | 1 | | | |
| 194345-65501 | LABEL (L) | 97- 14 | 1 | 1 | | | |
| 194345-65501 | LABEL (L) | 98- 10 | 1 | 1 | | | |
| 194345-65501 | LABEL (L) | 99- 16 | 1 | 1 | | | |
| 194345-65501 | LABEL (L) | 100-13 | 1 | 1 | | | |
| 194345-65501 | LABEL (L) | 101-14 | | 1 | 1 | | |
| 194345-65511 | LABEL (R) | 96- 15 | 1 | 1 | | | |
| 194345-65511 | LABEL (R) | 97- 15 | 1 | 1 | | | |
| 194345-65511 | LABEL (R) | 98- 11 | 1 | 1 | | | |
| 194345-65511 | LABEL (R) | 99- 17 | 1 | 1 | | | |
| 194345-65511 | LABEL (R) | 100-14 | 1 | 1 | | | |
| 194345-83320 | CABLE | 94- 23 | 1 | 1 | | | |
| 194346-13620-X | AXLE (R), front | 25- 25 | | 1 | | | |
| 194346-13620-X | AXLE (R), front | 26- 25 | | | 1 | | |
| 194346-13630 | OIL PLUG 20 | 32-1 | | 1 | | | |
| 194349-01180 | ROD (rear), throttle | 18- 8 | 1 | 1 | | | |
| 194349-01180 | ROD (rear), throttle | 20- 8 | | 1 | 1 | | |
| 194370-65350 | LABEL, engine starting | 96- 9 | 1 | 1 | | | |
| 194370-65350 | LABEL, engine starting | 97- 9 | 1 | 1 | | | |
| 194370-65350 | LABEL, engine starting | 99- 11 | 1 | 1 | | | |
| 194390-04100 | FUEL OIL TANK | 22- 1 | | 1 | 1 | | |
| 194390-04500 | BRACKET, fuel oil tank | 22- 17 | | 1 | 1 | | |
| 194390-12910 | WHEEL 6.00 x 10 DT, disc | 93- 2 | | 2 | 2 | | |
| 194390-12920 | WHEEL (A) | 93- 3 | | 2 | 2 | | |
| 194390-12930 | WHEEL (B) | 93- 4 | | 2 | 2 | | |
| 194390-14200 | SHAFT, front driving | 27- 55 | | 2 | | | |
| 194390-34610 | TIRE (TURF), 27 x 8.50 - 15PD | 93- 14 | | 2 | 2 | | |
| 194390-34620 | REAR TIRE ASS'Y (TURF) | 93- 15 | | 2 | 2 | | |
| 194390-34630 | TUBE | 93- 16 | | 2 | 2 | | |
| 194390-34750 | WHEEL, disc 7.001 x 15DT | 93- 17 | | 2 | 2 | | |
| 194390-34760 | WHEEL (A) | 93- 18 | | 2 | 2 | | |
| 194390-34770 | WHEEL (B) | 93- 19 | | 2 | 2 | | |
| 194390-34810 | TIRE ASS'Y (L), rear wheel | 54- 17 | | 1 | | | |
| 194390-34810 | TIRE ASS'Y (L), rear wheel | 55- 14 | | | 1 | | |

NUMERICAL PART NO. LIST

| Part No. | Description | Refer. No. | Q'ty/Unit | | | | Remarks |
|----------------|----------------------------|------------|-----------|--------|-------|--------|---------|
| | | | YMI55 | YMI55D | YMI35 | YMI35D | |
| 194390-34810 | TIRE ASS'Y (L), rear wheel | 56- 17 | | | 1 | | |
| 194390-34810 | TIRE ASS'Y (L), rear wheel | 57- 14 | | | 1 | | |
| 194390-34820 | TIRE ASS'Y (R), rear wheel | 54- 22 | | | 1 | | |
| 194390-34820 | TIRE ASS'Y (R), rear wheel | 55- 19 | | | 1 | | |
| 194390-34820 | TIRE ASS'Y (R), rear wheel | 56- 22 | | | 1 | | |
| 194390-34820 | TIRE ASS'Y (R), rear wheel | 57- 19 | | | 1 | | |
| 194390-34900 | TIRE ASS'Y (L), rear wheel | 54- 17 | | | 1 | | |
| 194390-34900 | TIRE ASS'Y (L), rear wheel | 55- 14 | | | 1 | | |
| 194390-34900 | TIRE ASS'Y (L), rear wheel | 56- 17 | | | 1 | | |
| 194390-34900 | TIRE ASS'Y (L), rear wheel | 57- 14 | | | 1 | | |
| 194390-34930 | TIRE ASS'Y, rear | 54- 18 | | | 1 | | |
| 194390-34930 | TIRE ASS'Y, rear | 54- 23 | | | 1 | | |
| 194390-34930 | TIRE ASS'Y, rear | 55- 15 | | | 2 | | |
| 194390-34930 | TIRE ASS'Y, rear | 55- 20 | | | 2 | | |
| 194390-34930 | TIRE ASS'Y, rear | 56- 18 | | | 1 | | |
| 194390-34930 | TIRE ASS'Y, rear | 56- 23 | | | 1 | | |
| 194390-34930 | TIRE ASS'Y, rear | 57- 15 | | | 2 | | |
| 194390-34930 | TIRE ASS'Y, rear | 57- 20 | | | 2 | | |
| 194390-34940 | TIRE | 54- 19 | | | 1 | | |
| 194390-34940 | TIRE | 54- 24 | | | 1 | | |
| 194390-34940 | TIRE | 55- 16 | | | 2 | | |
| 194390-34940 | TIRE | 55- 21 | | | 2 | | |
| 194390-34940 | TIRE | 56- 19 | | | 1 | | |
| 194390-34940 | TIRE | 56- 24 | | | 1 | | |
| 194390-34940 | TIRE | 57- 16 | | | 2 | | |
| 194390-34940 | TIRE | 57- 21 | | | 2 | | |
| 194390-34950 | TUBE, tire | 54- 20 | | | 1 | | |
| 194390-34950 | TIRE ASS'Y (R), rear wheel | 54- 22 | | | 1 | | |
| 194390-34950 | TUBE, tire | 54- 25 | | | 1 | | |
| 194390-34950 | TUBE, tire | 55- 17 | | | 2 | | |
| 194390-34950 | TIRE ASS'Y (R), rear wheel | 55- 19 | | | 1 | | |
| 194390-34950 | TUBE, tire | 55- 22 | | | 2 | | |
| 194390-34950 | TUBE, tire | 56- 20 | | | 1 | | |
| 194390-34950 | TIRE ASS'Y (R), rear wheel | 56- 22 | | | 1 | | |
| 194390-34950 | TUBE, tire | 56- 25 | | | 1 | | |
| 194390-34950 | TUBE, tire | 57- 17 | | | 2 | | |
| 194390-34950 | TIRE ASS'Y (R), rear wheel | 57- 19 | | | 1 | | |
| 194390-34950 | TUBE, tire | 57- 22 | | | 2 | | |
| 194390-51300 | BATTERY Y60-S4P (DRY TYPE) | 65- 5 | | | 1 | | |
| 194390-51300 | BATTERY Y60-S4G | 66- 5 | | | 1 | | |
| 194390-61000-P | HOOD ASS'Y | 71- 1 | | | 1 | | |
| 194390-61100 | HOOD | 71- 16 | | | 1 | | |
| 194390-61100-P | HOOD | 71- 2 | | | 1 | | |
| 194390-62430 | BAR (L), assist | 77- 16 | | | 1 | | |
| 194390-62430 | BAR (L), assist | 78- 16 | | | 1 | | |

NUMERICAL PART NO. LIST

| Part No. | Description | Refer. No. | Q'ty/Unit | | | | Remarks |
|----------------|-------------------------------|------------|-----------|--------|-------|--------|---------|
| | | | YMI55 | YMI55D | YMI35 | YMI35D | |
| 194390-63210 | BRACKET, operator's seat | 77- 40 | | | 1 | | |
| 194390-63210 | BRACKET, operator's seat | 78- 40 | | | 1 | | |
| 194390-64720 | LABEL, side | 72- 31 | | | 2 | | |
| 194390-64720 | LABEL, side mark | 101- 1 | | | 2 | | |
| 194390-64720 | LABEL, side mark | 102- 1 | | | 2 | | |
| 194390-65150 | LABEL, tractor model | 32- 4 | | | 1 | | |
| 194390-65150 | LABEL, tractor model | 33- 4 | | | 1 | | |
| 194390-65200 | LABEL, handling instruction | 32- 6 | | | 1 | | |
| 194390-65200 | LABEL, handling instruction | 32- 15 | | | 1 | | |
| 194390-65200 | LABEL, handling instruction | 33- 6 | | | 1 | | |
| 194390-65200 | LABEL, handling instruction | 33- 15 | | | 1 | | |
| 194390-65200 | LABEL, caution | 101- 3 | | | 1 | | |
| 194390-65210 | LABEL, caution | 101- 4 | | | 1 | | |
| 194390-65500 | MODEL PLATE (L) | 71- 3 | | | 1 | | |
| 194390-65500 | LABEL (L) | 102- 8 | | | 1 | | |
| 194390-65501 | MODEL PLATE (L) | 71- 3 | | | 1 | | |
| 194390-65501 | MODEL PLATE (L) | 71- 17 | | | 1 | | |
| 194390-65501 | MODEL PLATE (L) | 72- 2 | | | 1 | | |
| 194390-65501 | LABEL (L) | 101-14 | | | 1 | | |
| 194390-65501 | LABEL (L) | 102-10 | | | 1 | | |
| 194390-65510 | MODEL PLATE (R) | 71- 4 | | | 1 | | |
| 194390-65510 | LABEL (R) | 102- 9 | | | 1 | | |
| 194390-65511 | MODEL PLATE (R) | 71- 4 | | | 1 | | |
| 194390-65511 | MODEL PLATE (R) | 71- 18 | | | 1 | | |
| 194390-65511 | MODEL PLATE (R) | 72- 3 | | | 1 | | |
| 194390-65511 | LABEL (R) | 101-15 | | | 1 | | |
| 194390-65511 | LABEL (R) | 102-11 | | | 1 | | |
| 194390-83170 | UNIT BRACKET ASS'Y | 95- 13 | | | 1 | | |
| 194390-83270 | SHAFT, P.T.O. | 95- 16 | | | 1 | | |
| 194390-83270-X | SHAFT, P.T.O. | 95- 16 | | | 1 | | |
| 194390-83370 | SHAFT, connecting | 95- 31 | | | 1 | | |
| 194390-83450 | COVER | 95- 29 | | | 1 | | |
| 194391-14200 | SHAFT, front driving | 27- 55 | | | 2 | | |
| 194391-15610-X | ARM, pitman | 29- 31 | | | 1 | | |
| 194391-25540 | GEAR 17, front driving | 38- 39 | | | 1 | | |
| 194391-25541 | GEAR 21, front driving | 38- 39 | | | 1 | | |
| 194391-26120 | GEAR 24, front P.T.O. sliding | 38- 50 | | | 1 | | |
| 194391-61000 | HOOD ASS'Y | 71- 15 | | | 1 | | |
| 194391-64720 | LABEL, side | 72- 32 | | | 2 | | |
| 194391-64720 | LABEL, side mark | 101- 2 | | | 2 | | |
| 194391-64720 | LABEL, side mark | 102- 2 | | | 2 | | |
| 194391-65150 | LABEL, tractor model | 32- 13 | | | 1 | | |
| 194391-65150 | LABEL, tractor model | 33- 13 | | | 1 | | |
| 194391-65500 | MODEL PLATE (L) | 71- 19 | | | 1 | | |
| 194391-65500 | LABEL (L) | 102- 8 | | | 1 | | |

NUMERICAL PART NO. LIST

NUMERICAL PART NO. LIST

| Part No. | Description | Refer. No. | Q'ty/Unit | | | | Remarks |
|--------------|----------------------------|------------|-----------|--------|-------|--------|---------|
| | | | YMI55 | YMI55D | YMI35 | YMI35D | |
| 194391-65501 | MODEL PLATE (L) | 71- 19 | | | 1 | 1 | |
| 194391-65510 | MODEL PLATE (R) | 71- 20 | | | 1 | 1 | |
| 194391-65510 | LABEL (R) | 102- 9 | | | 1 | 1 | |
| 194391-65511 | MODEL PLATE (R) | 71- 20 | | | 1 | 1 | |
| 194436-53100 | LIGHT ASS'Y, head | 63- 33 | 2 | 2 | | | |
| 194436-53110 | BULB 12V-45/40W | 63- 34 | 2 | 2 | | | |
| 194436-53130 | SPRING | 63- 36 | 6 | 6 | | | |
| 194436-53140 | SCREW | 63- 37 | 6 | 6 | | | |
| 194436-53150 | BOOT, rubber | 63- 38 | 2 | 2 | | | |
| 194436-53600 | LAMP ASS'Y, clearance (F) | 63- 40 | 2 | 2 | | | |
| 194436-53610 | PACKING | 63- 51 | 2 | 2 | | | |
| 194436-53630 | LENS | 63- 43 | 2 | 2 | | | |
| 194436-53640 | BULB 12V-21W | 63- 44 | 2 | 2 | | | |
| 194436-53640 | BULB 12V-21W | 63- 53 | 2 | 2 | | | |
| 194436-53650 | BULB 12V-4W | 63- 45 | 2 | 2 | | | |
| 194436-53650 | BULB 12V-4W | 63- 54 | 2 | 2 | | | |
| 194436-53650 | BULB 12V-4W | 63- 61 | 1 | 1 | | | |
| 194436-53700 | LAMP ASS'Y, clearance (R) | 63- 50 | 2 | 2 | | | |
| 194436-53710 | LENS | 63- 57 | 2 | 2 | | | |
| 194436-53800 | LAMP ASS'Y, licence | 63- 60 | 1 | 1 | | | |
| 194436-53800 | LIGHT ASS'Y, licence plate | 74- 54 | 1 | 1 | | | |
| 194436-53800 | LIGHT ASS'Y, licence plate | 78- 54 | | | 1 | 1 | |
| 194436-64200 | REFLECTOR, complete | 75- 3 | 2 | 2 | | | |
| 194436-64510 | PLATE, licence | 63- 77 | 1 | 1 | | | |
| 194436-64510 | PLATE, licence | 74- 71 | 1 | 1 | | | |
| 194436-64510 | PLATE, licence | 78- 71 | | | 1 | 1 | |
| 194440-11360 | BUSH 25 x 29 x 30 | 23- 30 | 2 | | | | |
| 194440-51550 | COVER, battery fluid inlet | 94- 29 | 1 | 1 | | | |
| 194440-52190 | SWITCH, safety starter | 61- 52 | 1 | 1 | | | |
| 194440-52190 | SWITCH, safety starter | 62- 40 | 1 | 1 | | | |
| 194440-52190 | SWITCH, safety starter | 65- 48 | | | 1 | 1 | |
| 194440-52190 | SWITCH, safety starter | 66- 41 | | | 1 | 1 | |
| 194440-52400 | FUSE BOX ASS'Y | 62- 26 | 1 | 1 | | | |
| 194440-52400 | FUSE BOX ASS'Y | 63- 25 | 1 | 1 | | | |
| 194440-52400 | FUSE BOX ASS'Y | 64- 24 | 1 | 1 | | | |
| 194440-52400 | FUSE BOX ASS'Y | 66- 27 | | | 1 | 1 | |
| 194440-52420 | COVER, fuse box | 61- 37 | 1 | 1 | | | |
| 194440-52420 | COVER, fuse box | 62- 28 | 1 | 1 | | | |
| 194440-52420 | COVER, fuse box | 63- 27 | 1 | 1 | | | |
| 194440-52420 | COVER, fuse box | 64- 26 | 1 | 1 | | | |
| 194440-52420 | COVER, fuse box | 65- 35 | | | 1 | 1 | |
| 194440-52420 | COVER, fuse box | 66- 29 | | | 1 | 1 | |
| 194446-65321 | LABEL, water pilot | 100- 6 | 1 | 1 | | | |
| 194450-53800 | LAMP ASS'Y, licence | 64- 48 | 1 | 1 | | | |
| 194450-53810 | BULB 12V-4W | 64- 49 | 1 | 1 | | | |

| Part No. | Description | Refer. No. | Q'ty/Unit | | | | Remarks |
|--------------|--------------------|------------|-----------|--------|-------|--------|---------|
| | | | YMI55 | YMI55D | YMI35 | YMI35D | |
| 194730-57241 | CASTLE NUT 11 | 23- 10 | 2 | | | | |
| 194730-57241 | CASTLE NUT 11 | 23- 14 | 2 | | | | |
| 194730-57241 | CASTLE NUT 11 | 24- 10 | | | 2 | | |
| 194730-57241 | CASTLE NUT 11 | 24- 14 | | | 2 | | |
| 194730-57241 | CASTLE NUT M11 | 25- 54 | | 1 | | | |
| 194730-57241 | CASTLE NUT M11 | 25- 58 | | 1 | | | |
| 194730-57241 | CASTLE NUT M11 | 26- 54 | | | | 1 | |
| 194730-57241 | CASTLE NUT M11 | 26- 58 | | | | 1 | |
| 194730-57241 | CASTLE NUT M11 | 28- 44 | 2 | | | | |
| 194730-57241 | CASTLE NUT M11 | 28- 48 | | 2 | | | |
| 194730-57241 | CASTLE NUT M11 | 29- 40 | | | | 2 | |
| 194730-57241 | CASTLE NUT M11 | 29- 44 | | | 2 | | |
| 194730-57411 | GREASE NIPPLE | 23- 12 | 2 | | | | |
| 194730-57411 | GREASE NIPPLE | 23- 16 | 2 | | | | |
| 194730-57411 | GREASE NIPPLE | 24- 12 | | | 2 | | |
| 194730-57411 | GREASE NIPPLE | 24- 16 | | | 2 | | |
| 194730-57411 | GREASE NIPPLE 1/4 | 25- 55 | | 2 | | | |
| 194730-57411 | GREASE NIPPLE 1/4 | 25- 59 | | 2 | | | |
| 194730-57411 | GREASE NIPPLE 1/4 | 26- 55 | | | | 2 | |
| 194730-57411 | GREASE NIPPLE 1/4 | 26- 59 | | | | 2 | |
| 194730-57411 | GREASE NIPPLE 1/4 | 28- 46 | 2 | | | | |
| 194730-57411 | GREASE NIPPLE 1/4 | 28- 50 | | 2 | | | |
| 194730-57411 | GREASE NIPPLE 1/4 | 29- 42 | | | | 2 | |
| 194730-57411 | GREASE NIPPLE 1/4 | 29- 46 | | | 2 | | |
| 194740-55620 | OIL SEAL | 28- 21 | 1 | 1 | | | |
| 194740-99300 | LABEL, key switch | 67- 54 | 1 | 1 | | | |
| 194750-15250 | SHIM | 28- 24 | 1 | 1 | | | |
| 194750-15250 | SHIM | 29- 22 | | | 1 | 1 | |
| 194750-15260 | SHIM | 28- 26 | 1 | 1 | | | |
| 194750-15260 | SHIM | 29- 23 | | | 1 | 1 | |
| 194750-15270 | SHIM | 28- 27 | 1 | 1 | | | |
| 194750-15270 | SHIM | 29- 24 | | | 1 | 1 | |
| 194750-15280 | SHIM | 28- 28 | 1 | 1 | | | |
| 194750-15280 | SHIM | 29- 25 | | | 1 | 1 | |
| 194750-15290 | SHIM | 28- 29 | 1 | 1 | | | |
| 194750-15290 | SHIM | 29- 26 | | | 1 | 1 | |
| 194750-15520 | BALL BEARING | 28- 8 | 2 | 2 | | | |
| 194990-22020 | NUT M4 | 63- 81 | 2 | 2 | | | |
| 194990-22020 | NUT M4 | 64- 51 | 2 | 2 | | | |
| 194990-22130 | NUT M6 | 63- 32 | 1 | 1 | | | |
| 194990-22130 | NUT M | 74- 74 | 1 | 1 | | | |
| 194990-22130 | NUT M | 78- 74 | | | 1 | 1 | |
| 194990-22830 | NUT M17 (LH screw) | 23- 35 | 1 | | | | |
| 194990-22830 | NUT M17 (LH screw) | 24- 35 | | | 1 | | |
| 194990-22830 | NUT M17 (LH screw) | 25- 61 | | 1 | | | |

NUMERICAL PART NO. LIST

| Part No. | Description | Refer. No. | Q'ty/Unit | | | | Remarks |
|--------------|------------------------|------------|-----------|--------|-------|--------|---------|
| | | | YMI55 | YMI55D | YMI35 | YMI35D | |
| 194990-22830 | NUT M17 (LH screw) | 26- 61 | | | | 1 | |
| 194990-22840 | NUT M17 (RH screw) | 23- 36 | 1 | | | | |
| 194990-22840 | NUT M17 (RH screw) | 24- 36 | | 1 | | | |
| 194990-22840 | NUT M17 (RH screw) | 25- 62 | | 1 | | | |
| 194990-22840 | NUT M17 (RH screw) | 26- 62 | | | | 1 | |
| 195080-15060 | PIN, hitch | 81- 30 | 1 | 1 | 1 | 1 | |
| 195080-15060 | PIN, hitch | 82- 30 | 1 | 1 | 1 | 1 | |
| 195140-13660 | OIL SEAL TC 40628 | 36- 81 | 1 | 1 | | | |
| 195140-13660 | OIL SEAL TC 40628 | 37- 81 | 1 | 1 | | | |
| 195140-13660 | OIL SEAL TC 40628 | 38- 81 | | | 1 | 1 | |
| 195140-13700 | SHIM 30 x 40 x 0.1 | 27- 83 | - | - | | | |
| 195140-13710 | SHIM 30 x 40 x 0.3 | 27- 84 | - | - | | | |
| 195150-01190 | KNOB, throttle lever | 20- 2 | | | 1 | 1 | |
| 197000-06020 | JOINT, pipe 8d x 30L | 21- 10 | 1 | 1 | | | |
| 197000-06020 | JOINT, pipe 8d x 30L | 22- 10 | | | 1 | 1 | |
| 1A1030-34200 | TIRE 5-12, front wheel | 51- 3 | | 2 | | | |
| 1A1030-34200 | TIRE 5-12, front wheel | 51- 8 | | 2 | | | |
| 1A1030-34200 | TIRE 5-12, front wheel | 53- 3 | | 2 | | | |
| 1A1030-34200 | TIRE 5-12, front wheel | 53- 8 | | 2 | | | |
| 1A1030-34200 | TIRE 5-12, front wheel | 55- 3 | | | | 2 | |
| 1A1030-34200 | TIRE 5-12, front wheel | 55- 8 | | | | 2 | |
| 1A1030-34200 | TIRE 5-12, front wheel | 57- 3 | | | | 2 | |
| 1A1030-34200 | TIRE 5-12, front wheel | 57- 8 | | | | 2 | |
| 1A1030-34250 | TUBE 5-12, tire | 51- 4 | | 2 | | | |
| 1A1030-34250 | TUBE 5-12, tire | 51- 9 | | 2 | | | |
| 1A1030-34250 | TUBE 5-12, tire | 53- 4 | | 2 | | | |
| 1A1030-34250 | TUBE 5-12, tire | 53- 9 | | 2 | | | |
| 1A1030-34250 | TUBE 5-12, tire | 55- 4 | | | | 2 | |
| 1A1030-34250 | TUBE 5-12, tire | 55- 9 | | | | 2 | |
| 1A1030-34250 | TUBE 5-12, tire | 57- 4 | | | | 2 | |
| 1A1030-34250 | TUBE 5-12, tire | 57- 9 | | | | 2 | |
| 1A1030-55480 | PIN 6 x 14 | 19- 26 | 1 | 1 | | | |
| 1A1030-55480 | PIN 6x 14 | 83- 10 | 1 | 1 | 1 | 1 | |
| 1A1040-23210 | LINER 17 x 30 x 1 | 36- 12 | 1 | 1 | | | |
| 1A1040-23210 | LINER 17 x 30 x 1 | 38- 12 | | | 1 | 1 | |
| 1A1040-23220 | LINER 20 x 35 x 1 | 36- 35 | 2 | 2 | | | |
| 1A1040-23220 | LINER 20 x 35 x 1 | 37- 35 | 2 | 2 | | | |
| 1A1040-23220 | LINER 20 x 35 x 1 | 38- 35 | | | 2 | 2 | |
| 1A1040-23220 | LINER 20 x 35 x 1 | 44- 16 | 2 | 2 | | | |
| 1A1040-23220 | LINER 20 x 35 x 1 | 46- 16 | | | 2 | 2 | |
| 1A1040-26060 | PIN 8 x 28, straight | 25- 13 | | 2 | | | |
| 1A1040-26060 | PIN 8 x 28, straight | 26- 13 | | | | 2 | |
| 1A1040-26060 | PIN 8 x 28, straight | 34- 14 | 6 | 6 | 6 | 6 | |
| 1A1040-26060 | PIN 8 x 28, straight | 35- 14 | 6 | 6 | | | |
| 1A1040-26190 | CIRCLIP 50 | 39- 7 | 1 | 1 | | | |

- 4 1 -

NUMERICAL PART NO. LIST

| Part No. | Description | Refer. No. | Q'ty/Unit | | | | Remarks |
|--------------|-----------------------|------------|-----------|--------|-------|--------|---------|
| | | | YMI55 | YMI55D | YMI35 | YMI35D | |
| 1A1040-26190 | CIRCLIP 50 | 40- 7 | | | 1 | 1 | |
| 1A1040-26320 | CIRCLIP 30 | 39- 12 | 1 | 1 | | | |
| 1A1040-26320 | CIRCLIP 30 | 40- 12 | | | 1 | 1 | |
| 1A1040-26750 | SPRING, shift fork | 39- 19 | 2 | 2 | | | |
| 1A1040-26750 | SPRING, shift fork | 39- 45 | | 1 | | | |
| 1A1040-26750 | SPRING, shift fork | 39- 56 | 1 | 1 | | | |
| 1A1040-26750 | SPRING, shift fork | 40- 19 | | | 2 | 2 | |
| 1A1040-26750 | SPRING, shift fork | 40- 56 | | | 1 | 1 | |
| 1A1040-28040 | OIL PLUG 20 | 34- 54 | 1 | 1 | 1 | 1 | |
| 1A1040-28040 | OIL PLUG 20 | 35- 47 | 1 | 1 | | | |
| 1A1040-28180 | BOOT, rubber | 39- 6 | 1 | 1 | | | |
| 1A1040-28180 | BOOT, rubber | 40- 6 | | | 1 | 1 | |
| 1A1040-28810 | OIL SEAL TC40 62 12 6 | 27- 69 | | 2 | | 2 | |
| 1A1040-28900 | PACKING 8, copper | 34- 33 | 4 | 4 | 4 | 4 | |
| 1A1040-28900 | PACKING 8, copper | 35- 33 | 4 | 4 | | | |
| 1A1040-36010 | BOLT, flange | 50- 32 | | 4 | | | |
| 1A1040-36010 | BOLT, flange | 51- 29 | | 4 | | | |
| 1A1040-36010 | BOLT, flange | 52- 32 | | 4 | | | |
| 1A1040-36010 | BOLT, flange | 53- 29 | | 4 | | | |
| 1A1040-36010 | BOLT, flange | 54- 32 | | | | 4 | |
| 1A1040-36010 | BOLT, flange | 55- 29 | | | | 4 | |
| 1A1040-36010 | BOLT, flange | 56- 32 | | | | 4 | |
| 1A1040-36010 | BOLT, flange | 57- 29 | | | | 4 | |
| 1A1040-36040 | SPRING, flange bolt | 50- 33 | | 4 | | | |
| 1A1040-36040 | SPRING, flange bolt | 51- 30 | | 4 | | | |
| 1A1040-36040 | SPRING, flange bolt | 52- 33 | | 4 | | | |
| 1A1040-36040 | SPRING, flange bolt | 53- 30 | | 4 | | | |
| 1A1040-36040 | SPRING, flange bolt | 54- 33 | | | | 4 | |
| 1A1040-36040 | SPRING, flange bolt | 55- 30 | | | | 4 | |
| 1A1040-36040 | SPRING, flange bolt | 56- 33 | | | | 4 | |
| 1A1040-36040 | SPRING, flange bolt | 57- 30 | | | | 4 | |
| 1A1040-46890 | SPRING, lock pin | 58- 66 | 1 | 1 | 1 | 1 | |
| 1A1040-48070 | OIL PLUG 10 | 25- 16 | | 2 | | | |
| 1A1040-48070 | OIL PLUG 10 | 25- 36 | | 2 | | | |
| 1A1040-48070 | OIL PLUG 10 | 26- 16 | | | | 2 | |
| 1A1040-48070 | OIL PLUG 10 | 26- 36 | | | | 2 | |
| 1A1040-48070 | OIL PLUG 10 | 41- 43 | 2 | 2 | | | |
| 1A1040-48070 | OIL PLUG 10 | 42- 43 | 2 | 2 | | | |
| 1A1040-48070 | OIL PLUG 10 | 43- 43 | | | 2 | 2 | |
| 1A1040-55310 | BAND, wire locking | 61- 49 | 1 | 1 | | | |
| 1A1040-59470 | GROMMET 9 | 67- 50 | 1 | 1 | | | |
| 1A1040-59470 | GROMMET 9 | 68- 23 | 1 | 1 | | | |
| 1A1040-59470 | GROMMET 9 | 69- 19 | 1 | 1 | | | |
| 1A1040-59470 | GROMMET 9 | 70- 23 | 1 | 1 | | | |
| 1A1040-59470 | GROMMET 9 | 71- 41 | | | 1 | 1 | |

NUMERICAL PART NO. LIST

| Part No. | Description | Refer. No. | Q'ty/Unit | | | | Remarks |
|--------------|-----------------|------------|--------------|---------------|--------|--------|---------|
| | | | YMI55 | YMI55D | YMI35 | YMI35D | |
| | | | 21557-050102 | SCREW M5 x 10 | 61- 41 | 2 | |
| 21557-050102 | SCREW M5 x 10 | 62- 32 | 2 | 2 | | | |
| 21557-050102 | SCREW M5 x 10 | 65- 39 | | | 2 | 2 | |
| 21557-050102 | SCREW M5 x 10 | 66- 33 | | | 2 | 2 | |
| 22117-060000 | WASHER 6, plain | 18- 14 | 1 | 1 | | | |
| 22117-060000 | WASHER 6, plain | 19- 14 | 1 | 1 | | | |
| 22117-060000 | WASHER 6, plain | 20- 14 | | | 1 | 1 | |
| 22117-060000 | WASHER 6, plain | 30- 33 | 2 | 1 | | | |
| 22117-060000 | WASHER 6, plain | 30- 33 | 1 | | | | |
| 22117-060000 | WASHER 6, plain | 31- 33 | 2 | 1 | | | |
| 22117-060000 | WASHER 6, plain | 31- 33 | 1 | | | | |
| 22117-060000 | WASHER 6, plain | 32- 33 | | | 2 | 1 | |
| 22117-060000 | WASHER 6, plain | 32- 33 | 1 | | 1 | | |
| 22117-060000 | WASHER 6, plain | 33- 33 | | | 2 | 1 | |
| 22117-060000 | WASHER 6, plain | 33- 33 | | | 1 | | |
| 22117-060000 | WASHER 6, plain | 61- 17 | 4 | 4 | | | |
| 22117-060000 | WASHER 6, plain | 65- 17 | | | 6 | 6 | |
| 22117-060000 | WASHER 6, plain | 67- 63 | 4 | 4 | | | |
| 22117-060000 | WASHER 6, plain | 68- 33 | 4 | 4 | | | |
| 22117-060000 | WASHER 6, plain | 69- 23 | 4 | 4 | | | |
| 22117-060000 | WASHER 6, plain | 70- 33 | 4 | 4 | | | |
| 22117-060000 | WASHER 6, plain | 71- 54 | | | 4 | 4 | |
| 22117-060000 | WASHER 6, plain | 72- 26 | | | 4 | 4 | |
| 22117-060000 | WASHER 6, plain | 76- 70 | 1 | 1 | | | |
| 22117-060000 | WASHER 6, plain | 83- 7 | 2 | 2 | 2 | 2 | |
| 22117-080000 | WASHER 8, plain | 18- 11 | 2 | 2 | | | |
| 22117-080000 | WASHER 8, plain | 19- 11 | 2 | 2 | | | |
| 22117-080000 | WASHER 8, plain | 20- 11 | | | 2 | 2 | |
| 22117-080000 | WASHER 8, plain | 22- 25 | | | 2 | 2 | |
| 22117-080000 | WASHER 8, plain | 30- 27 | 2 | 2 | | | |
| 22117-080000 | WASHER 8, plain | 31- 27 | 2 | 2 | | | |
| 22117-080000 | WASHER 8, plain | 32- 27 | | | 2 | 2 | |
| 22117-080000 | WASHER 8, plain | 33- 27 | | | 2 | 2 | |
| 22117-080000 | WASHER 8, plain | 44- 25 | 2 | 2 | | | |
| 22117-080000 | WASHER 8, plain | 45- 25 | 2 | 2 | | | |
| 22117-080000 | WASHER 8, plain | 46- 25 | | | 2 | 2 | |
| 22117-080000 | WASHER 8, plain | 47- 19 | 2 | 2 | | | |
| 22117-080000 | WASHER 8, plain | 47- 44 | 2 | 2 | | | |
| 22117-080000 | WASHER 8, plain | 48- 19 | 2 | 2 | | | |
| 22117-080000 | WASHER 8, plain | 48- 44 | 2 | 2 | | | |
| 22117-080000 | WASHER 8, plain | 49- 19 | | | 2 | 2 | |
| 22117-080000 | WASHER 8, plain | 49- 44 | | | 2 | 2 | |
| 22117-080000 | WASHER 8, plain | 58- 67 | 1 | 1 | 1 | 1 | |
| 22117-080000 | WASHER 8, plain | 68- 43 | 2 | 2 | | | |
| 22117-080000 | WASHER 8, plain | 69- 29 | 2 | 2 | | | |

- 42 -

NUMERICAL PART NO. LIST

| Part No. | Description | Refer. No. | Q'ty/Unit | | | | Remarks |
|--------------|------------------|------------|--------------|-----------------|--------|--------|---------|
| | | | YMI55 | YMI55D | YMI35 | YMI35D | |
| | | | 22117-080000 | WASHER 8, plain | 70- 46 | 2 | |
| 22117-080000 | WASHER 8, plain | 73- 23 | 4 | 4 | | | |
| 22117-080000 | WASHER 8, plain | 73- 38 | 2 | 2 | | | |
| 22117-080000 | WASHER 8, plain | 73- 53 | 2 | 2 | | | |
| 22117-080000 | WASHER 8, plain | 73- 59 | 2 | 2 | | | |
| 22117-080000 | WASHER 8, plain | 74- 23 | 4 | 4 | | | |
| 22117-080000 | WASHER 8, plain | 74- 38 | 2 | 2 | | | |
| 22117-080000 | WASHER 8, plain | 74- 59 | 2 | 2 | | | |
| 22117-080000 | WASHER 8, plain | 74- 65 | 2 | 2 | | | |
| 22117-080000 | WASHER 8, plain | 75- 13 | 4 | 4 | | | |
| 22117-080000 | WASHER 8, plain | 75- 27 | 2 | 2 | | | |
| 22117-080000 | WASHER 8, plain | 76- 23 | 4 | 4 | | | |
| 22117-080000 | WASHER 8, plain | 76- 38 | 2 | 2 | | | |
| 22117-080000 | WASHER 8, plain | 76- 59 | 2 | 2 | | | |
| 22117-080000 | WASHER 8, plain | 76- 71 | 2 | 2 | | | |
| 22117-080000 | WASHER 8, plain | 77- 23 | | | 4 | 4 | |
| 22117-080000 | WASHER 8, plain | 77- 38 | | | 2 | 2 | |
| 22117-080000 | WASHER 8, plain | 77- 53 | | | 2 | 2 | |
| 22117-080000 | WASHER 8, plain | 77- 55 | | | 2 | 2 | |
| 22117-080000 | WASHER 8, plain | 78- 23 | | | 4 | 4 | |
| 22117-080000 | WASHER 8, plain | 78- 38 | | | 2 | 2 | |
| 22117-080000 | WASHER 8, plain | 78- 59 | | | 2 | 2 | |
| 22117-080000 | WASHER 8, plain | 78- 61 | | | 2 | 2 | |
| 22117-100000 | WASHER 10, plain | 18- 4 | 1 | 1 | | | |
| 22117-100000 | WASHER 10, plain | 18- 16 | 1 | 1 | | | |
| 22117-100000 | WASHER 10, plain | 19- 16 | 1 | 1 | | | |
| 22117-100000 | WASHER 10, plain | 20- 4 | | | 1 | 1 | |
| 22117-100000 | WASHER 10, plain | 20- 16 | | | 1 | 1 | |
| 22117-100000 | WASHER 10, plain | 21- 8 | 1 | 1 | | | |
| 22117-100000 | WASHER 10, plain | 22- 8 | | | 1 | 1 | |
| 22117-100000 | WASHER 10, plain | 67- 46 | 2 | 2 | | | |
| 22117-100000 | WASHER 10, plain | 68- 19 | 2 | 2 | | | |
| 22117-100000 | WASHER 10, plain | 69- 16 | 2 | 2 | | | |
| 22117-100000 | WASHER 10, plain | 70- 19 | 2 | 2 | | | |
| 22117-100000 | WASHER 10, plain | 71- 37 | | | 2 | 2 | |
| 22117-100000 | WASHER 10, plain | 72- 12 | | | 2 | 2 | |
| 22117-100000 | WASHER 10, plain | 73- 46 | 1 | 1 | | | |
| 22117-100000 | WASHER 10, plain | 77- 46 | | | 1 | 1 | |
| 22117-120000 | WASHER 12, plain | 39- 10 | 1 | 1 | | | |
| 22117-120000 | WASHER 12, plain | 40- 10 | | | 1 | 1 | |
| 22117-120000 | WASHER 12, plain | 47- 37 | 1 | 1 | | | |
| 22117-120000 | WASHER 12, plain | 48- 37 | 1 | 1 | | | |
| 22117-120000 | WASHER 12, plain | 49- 37 | | | 1 | 1 | |
| 22117-120000 | WASHER 12, plain | 58- 69 | 1 | 1 | 1 | 1 | |
| 22117-120000 | WASHER 12, plain | 67- 37 | 2 | 2 | | | |

NUMERICAL PART NO. LIST

| Part No. | Description | Refer. No. | Qty/Unit | | | | Remarks |
|--------------|------------------|------------|----------|--------|-------|--------|---------|
| | | | YMI55 | YMI55D | YMI35 | YMI35D | |
| 22117-120000 | WASHER 12, plain | 68- 10 | 2 | 2 | | | |
| 22117-120000 | WASHER 12, plain | 69- 8 | 2 | 2 | | | |
| 22117-120000 | WASHER 12, plain | 70- 10 | 2 | 2 | | | |
| 22117-120000 | WASHER 12, plain | 71- 32 | | | 2 | 2 | |
| 22117-120000 | WASHER 12, plain | 72- 7 | | | 2 | 2 | |
| 22117-140000 | WASHER 14, plain | 28- 32 | 1 | 1 | | | |
| 22117-140000 | WASHER 14, plain | 30- 47 | 1 | 1 | | | |
| 22117-140000 | WASHER 14, plain | 31- 47 | 1 | 1 | | | |
| 22117-140000 | WASHER 14, plain | 32- 47 | | | 1 | 1 | |
| 22117-140000 | WASHER 14, plain | 33- 47 | | | 1 | 1 | |
| 22117-160000 | WASHER 16, plain | 50- 34 | 4 | | | | |
| 22117-160000 | WASHER 16, plain | 51- 31 | | 4 | | | |
| 22117-160000 | WASHER 16, plain | 52- 34 | 4 | | | | |
| 22117-160000 | WASHER 16, plain | 53- 31 | | 4 | | | |
| 22117-160000 | WASHER 16, plain | 54- 34 | | | 4 | | |
| 22117-160000 | WASHER 16, plain | 55- 31 | | | | 4 | |
| 22117-160000 | WASHER 16, plain | 56- 34 | | 4 | | | |
| 22117-160000 | WASHER 16, plain | 57- 31 | | | 4 | | |
| 22117-180000 | WASHER 18, plain | 25- 70 | | 2 | | | |
| 22117-180000 | WASHER 18, plain | 26- 70 | | | | 2 | |
| 22137-040000 | WASHER 4, plain | 67- 64 | 6 | 6 | | | |
| 22137-040000 | WASHER 4, plain | 67- 67 | 6 | 6 | | | |
| 22137-040000 | WASHER 4, plain | 71- 55 | | | 6 | 6 | |
| 22137-040000 | WASHER 4, plain | 71- 58 | | | 6 | 6 | |
| 22137-060000 | WASHER 6, plain | 19- 23 | 2 | 2 | | | |
| 22137-060000 | WASHER 6, plain | 61- 54 | 4 | 4 | | | |
| 22137-060000 | WASHER 6, plain | 65- 17 | | | 2 | 2 | |
| 22137-060000 | WASHER 6, plain | 65- 53 | | | 4 | 4 | |
| 22137-060000 | WASHER 6, plain | 66- 49 | | | 2 | 2 | |
| 22137-060000 | WASHER 6, plain | 94- 37 | 2 | 2 | | | |
| 22137-080000 | WASHER 8, plain | 58- 70 | 1 | 1 | 1 | 1 | |
| 22137-080000 | WASHER 8, plain | 59- 27 | 1 | 1 | 1 | 1 | |
| 22137-100000 | WASHER 10, plain | 18- 4 | 1 | 1 | | | |
| 22137-100000 | WASHER 10, plain | 18- 16 | 1 | 1 | | | |
| 22137-100000 | WASHER 10, plain | 18- 20 | 2 | 2 | | | |
| 22137-100000 | WASHER 10, plain | 19- 4 | 2 | 2 | | | |
| 22137-100000 | WASHER 10, plain | 20- 4 | | | 1 | 1 | |
| 22137-100000 | WASHER 10, plain | 20- 16 | | | 1 | 1 | |
| 22137-100000 | WASHER 10, plain | 20- 20 | | | 2 | 2 | |
| 22137-100000 | WASHER 10, plain | 94- 36 | 10 | 10 | | | |
| 22137-100000 | WASHER 10, plain | 95- 28 | | | 8 | 8 | |
| 22137-120000 | WASHER 12, plain | 58- 60 | 1 | 1 | 1 | 1 | |
| 22137-120000 | WASHER 12, plain | 58- 69 | | | | 1 | |
| 22137-120000 | WASHER 12, plain | 58- 69 | 1 | 1 | 1 | | |
| 22137-120000 | WASHER 12, plain | 76- 60 | 4 | 4 | | | |

- 43 -

NUMERICAL PART NO. LIST

| Part No. | Description | Refer. No. | Qty/Unit | | | | Remarks |
|--------------|------------------|------------|----------|--------|-------|--------|---------|
| | | | YMI55 | YMI55D | YMI35 | YMI35D | |
| 22137-160000 | WASHER 16, plain | 23- 6 | 1 | | | | |
| 22137-160000 | WASHER 16, plain | 24- 6 | | | 1 | | |
| 22137-160000 | WASHER 16, plain | 25- 6 | | 1 | | | |
| 22137-160000 | WASHER 16, plain | 26- 6 | | | | 1 | |
| 22137-200000 | WASHER 20, plain | 23- 6 | 1 | | | | |
| 22137-200000 | WASHER 20, plain | 25- 6 | | 1 | | | |
| 22157-080000 | WASHER 8, plain | 85- 8 | 1 | 1 | 1 | 1 | |
| 22217-040000 | SPRING WASHER 4 | 67- 65 | 6 | 6 | | | |
| 22217-040000 | SPRING WASHER 4 | 67- 68 | 6 | 6 | | | |
| 22217-040000 | SPRING WASHER 4 | 71- 56 | | | 6 | 6 | |
| 22217-040000 | SPRING WASHER 4 | 71- 59 | | | 6 | 6 | |
| 22217-050000 | SPRING WASHER 5 | 61- 42 | 2 | 2 | | | |
| 22217-050000 | SPRING WASHER 5 | 62- 33 | 2 | 2 | | | |
| 22217-050000 | SPRING WASHER 5 | 63- 68 | 2 | 2 | | | |
| 22217-050000 | SPRING WASHER 5 | 65- 40 | | | 2 | 2 | |
| 22217-050000 | SPRING WASHER 5 | 66- 34 | | | 2 | 2 | |
| 22217-050000 | SPRING WASHER 5 | 74- 55 | 2 | 2 | | | |
| 22217-050000 | SPRING WASHER 5 | 78- 55 | | | 2 | 2 | |
| 22217-060000 | SPRING WASHER 6 | 19- 32 | 1 | 1 | | | |
| 22217-060000 | SPRING WASHER 6 | 27- 12 | | 4 | | 4 | |
| 22217-060000 | SPRING WASHER 6 | 27- 21 | | 4 | | 4 | |
| 22217-060000 | SPRING WASHER 6 | 39- 38 | 2 | 2 | | | |
| 22217-060000 | SPRING WASHER 6 | 39- 52 | | 2 | | | |
| 22217-060000 | SPRING WASHER 6 | 39- 66 | 2 | 2 | | | |
| 22217-060000 | SPRING WASHER 6 | 40- 38 | | | 2 | 2 | |
| 22217-060000 | SPRING WASHER 6 | 40- 52 | | | | 2 | |
| 22217-060000 | SPRING WASHER 6 | 40- 66 | | | 2 | 2 | |
| 22217-060000 | SPRING WASHER 6 | 60- 4 | 3 | 3 | 3 | 3 | |
| 22217-060000 | SPRING WASHER 6 | 60- 9 | 4 | 4 | 4 | 4 | |
| 22217-060000 | SPRING WASHER 6 | 60- 18 | 3 | 3 | 3 | 3 | |
| 22217-060000 | SPRING WASHER 6 | 61- 9 | 2 | 2 | | | |
| 22217-060000 | SPRING WASHER 6 | 62- 9 | 2 | 2 | | | |
| 22217-060000 | SPRING WASHER 6 | 63- 94 | 2 | 2 | | | |
| 22217-060000 | SPRING WASHER 6 | 64- 64 | 2 | 2 | | | |
| 22217-060000 | SPRING WASHER 6 | 65- 9 | | | 2 | 2 | |
| 22217-060000 | SPRING WASHER 6 | 66- 9 | | | 2 | 2 | |
| 22217-060000 | SPRING WASHER 6 | 67- 62 | 4 | 4 | | | |
| 22217-060000 | SPRING WASHER 6 | 68- 32 | 4 | 4 | | | |
| 22217-060000 | SPRING WASHER 6 | 69- 22 | 4 | 4 | | | |
| 22217-060000 | SPRING WASHER 6 | 70- 32 | 4 | 4 | | | |
| 22217-060000 | SPRING WASHER 6 | 71- 53 | | | 4 | 4 | |
| 22217-060000 | SPRING WASHER 6 | 72- 25 | | | 4 | 4 | |
| 22217-060000 | SPRING WASHER 6 | 76- 72 | 1 | 1 | | | |
| 22217-080000 | SPRING WASHER 8 | 19- 22 | 2 | 2 | | | |
| 22217-080000 | SPRING WASHER 8 | 21- 19 | 6 | 6 | | | |

NUMERICAL PART NO. LIST

NUMERICAL PART NO. LIST

| Part No. | Description | Refer. No. | Qty/Unit | | | | Remarks |
|--------------|-----------------|------------|--------------|-----------------|--------|--------|---------|
| | | | YMI55 | YMI55D | YMI35 | YMI35D | |
| | | | 22217-080000 | SPRING WASHER 8 | 22- 19 | | |
| 22217-080000 | SPRING WASHER 8 | 25- 20 | | 3 | | | |
| 22217-080000 | SPRING WASHER 8 | 25- 30 | | 11 | | | |
| 22217-080000 | SPRING WASHER 8 | 25- 47 | | 8 | | | |
| 22217-080000 | SPRING WASHER 8 | 26- 20 | | | | 3 | |
| 22217-080000 | SPRING WASHER 8 | 26- 30 | | | | 11 | |
| 22217-080000 | SPRING WASHER 8 | 26- 47 | | | | 8 | |
| 22217-080000 | SPRING WASHER 8 | 27- 8 | | 4 | | 4 | |
| 22217-080000 | SPRING WASHER 8 | 27- 19 | | 1 | | 1 | |
| 22217-080000 | SPRING WASHER 8 | 27- 24 | | 4 | | 4 | |
| 22217-080000 | SPRING WASHER 8 | 27- 24 | | 4 | | 4 | |
| 22217-080000 | SPRING WASHER 8 | 28- 5 | 8 | 8 | | | |
| 22217-080000 | SPRING WASHER 8 | 28- 5 | 7 | 7 | | | |
| 22217-080000 | SPRING WASHER 8 | 29- 5 | | | 7 | 7 | |
| 22217-080000 | SPRING WASHER 8 | 30- 31 | 7 | 7 | | | |
| 22217-080000 | SPRING WASHER 8 | 30- 41 | 6 | 6 | | | |
| 22217-080000 | SPRING WASHER 8 | 31- 31 | 7 | 7 | | | |
| 22217-080000 | SPRING WASHER 8 | 31- 41 | 6 | 6 | | | |
| 22217-080000 | SPRING WASHER 8 | 32- 31 | | | 7 | 7 | |
| 22217-080000 | SPRING WASHER 8 | 32- 41 | | | 6 | 6 | |
| 22217-080000 | SPRING WASHER 8 | 33- 31 | | | 7 | 7 | |
| 22217-080000 | SPRING WASHER 8 | 33- 41 | | | 6 | 6 | |
| 22217-080000 | SPRING WASHER 8 | 34- 42 | 7 | 7 | 7 | 7 | |
| 22217-080000 | SPRING WASHER 8 | 34- 46 | 1 | 1 | 1 | 1 | |
| 22217-080000 | SPRING WASHER 8 | 34- 55 | 8 | 8 | 8 | 8 | |
| 22217-080000 | SPRING WASHER 8 | 35- 42 | 7 | 7 | | | |
| 22217-080000 | SPRING WASHER 8 | 35- 46 | 1 | 1 | | | |
| 22217-080000 | SPRING WASHER 8 | 41- 48 | 3 | 3 | | | |
| 22217-080000 | SPRING WASHER 8 | 43- 48 | | | 3 | 3 | |
| 22217-080000 | SPRING WASHER 8 | 44- 4 | 3 | 3 | | | |
| 22217-080000 | SPRING WASHER 8 | 46- 4 | | | 3 | 3 | |
| 22217-080000 | SPRING WASHER 8 | 47- 48 | 8 | 8 | | | |
| 22217-080000 | SPRING WASHER 8 | 48- 48 | 8 | 8 | | | |
| 22217-080000 | SPRING WASHER 8 | 49- 48 | | | 8 | 8 | |
| 22217-080000 | SPRING WASHER 8 | 58- 45 | 1 | 1 | 1 | 1 | |
| 22217-080000 | SPRING WASHER 8 | 58- 58 | 2 | 2 | 2 | 2 | |
| 22217-080000 | SPRING WASHER 8 | 59- 42 | 2 | 2 | 2 | 2 | |
| 22217-080000 | SPRING WASHER 8 | 60- 22 | 4 | 4 | 4 | 4 | |
| 22217-080000 | SPRING WASHER 8 | 67- 42 | 4 | 4 | | | |
| 22217-080000 | SPRING WASHER 8 | 68- 15 | 4 | 4 | | | |
| 22217-080000 | SPRING WASHER 8 | 69- 12 | 4 | 4 | | | |
| 22217-080000 | SPRING WASHER 8 | 70- 15 | 4 | 4 | | | |
| 22217-080000 | SPRING WASHER 8 | 73- 19 | 14 | 14 | | | |
| 22217-080000 | SPRING WASHER 8 | 73- 22 | 4 | 4 | | | |
| 22217-080000 | SPRING WASHER 8 | 73- 32 | 2 | 2 | | | |

| Part No. | Description | Refer. No. | Qty/Unit | | | | Remarks |
|--------------|------------------|------------|--------------|-----------------|--------|--------|---------|
| | | | YMI55 | YMI55D | YMI35 | YMI35D | |
| | | | 22217-080000 | SPRING WASHER 8 | 73- 55 | 2 | |
| 22217-080000 | SPRING WASHER 8 | 74- 19 | 14 | 14 | | | |
| 22217-080000 | SPRING WASHER 8 | 74- 19 | 2 | 2 | | | |
| 22217-080000 | SPRING WASHER 8 | 74- 22 | 4 | 4 | | | |
| 22217-080000 | SPRING WASHER 8 | 74- 32 | 2 | 2 | | | |
| 22217-080000 | SPRING WASHER 8 | 74- 61 | 2 | 2 | | | |
| 22217-080000 | SPRING WASHER 8 | 75- 10 | 2 | 2 | | | |
| 22217-080000 | SPRING WASHER 8 | 75- 42 | 2 | 2 | | | |
| 22217-080000 | SPRING WASHER 8 | 76- 19 | 14 | 14 | | | |
| 22217-080000 | SPRING WASHER 8 | 76- 22 | 4 | 4 | | | |
| 22217-080000 | SPRING WASHER 8 | 76- 32 | 2 | 2 | | | |
| 22217-080000 | SPRING WASHER 8 | 76- 61 | 2 | 2 | | | |
| 22217-080000 | SPRING WASHER 8 | 76- 62 | 2 | 2 | | | |
| 22217-080000 | SPRING WASHER 8 | 76- 73 | 2 | 2 | | | |
| 22217-080000 | SPRING WASHER 8 | 76- 74 | 1 | 1 | | | |
| 22217-080000 | SPRING WASHER 8 | 77- 19 | | | 10 | 10 | |
| 22217-080000 | SPRING WASHER 8 | 77- 19 | | | 2 | 2 | |
| 22217-080000 | SPRING WASHER 8 | 77- 22 | | | 4 | 4 | |
| 22217-080000 | SPRING WASHER 8 | 77- 32 | | | 2 | 2 | |
| 22217-080000 | SPRING WASHER 8 | 77- 56 | | | 2 | 2 | |
| 22217-080000 | SPRING WASHER 8 | 78- 19 | | | 10 | 10 | |
| 22217-080000 | SPRING WASHER 8 | 78- 19 | | | 2 | 2 | |
| 22217-080000 | SPRING WASHER 8 | 78- 22 | | | 4 | 4 | |
| 22217-080000 | SPRING WASHER 8 | 78- 32 | | | 2 | 2 | |
| 22217-080000 | SPRING WASHER 8 | 83- 6 | 2 | 2 | 2 | 2 | |
| 22217-080000 | SPRING WASHER 8 | 85- 4 | 1 | 1 | 1 | 1 | |
| 22217-080000 | SPRING WASHER 8 | 87- 5 | 1 | 1 | | | |
| 22217-080000 | SPRING WASHER 8 | 88- 5 | 1 | 1 | 1 | 1 | |
| 22217-080000 | SPRING WASHER 8 | 88- 5 | | | 1 | 1 | |
| 22217-080000 | SPRING WASHER 8 | 94- 30 | 5 | 5 | | | |
| 22217-080000 | SPRING WASHER 8 | 78- 62 | | | 2 | 2 | |
| 22217-100000 | SPRING WASHER 10 | 21- 7 | 1 | 1 | | | |
| 22217-100000 | SPRING WASHER 10 | 22- 7 | | | 1 | 1 | |
| 22217-100000 | SPRING WASHER 10 | 25- 28 | | | 14 | | |
| 22217-100000 | SPRING WASHER 10 | 25- 28 | | | 4 | | |
| 22217-100000 | SPRING WASHER 10 | 25- 43 | | | 8 | | |
| 22217-100000 | SPRING WASHER 10 | 25- 52 | | | 4 | | |
| 22217-100000 | SPRING WASHER 10 | 25- 52 | | | 2 | | |
| 22217-100000 | SPRING WASHER 10 | 26- 28 | | | | 14 | |
| 22217-100000 | SPRING WASHER 10 | 26- 28 | | | | 4 | |
| 22217-100000 | SPRING WASHER 10 | 26- 43 | | | | 8 | |
| 22217-100000 | SPRING WASHER 10 | 26- 52 | | | | 4 | |
| 22217-100000 | SPRING WASHER 10 | 26- 52 | | | | 2 | |
| 22217-100000 | SPRING WASHER 10 | 28- 35 | 4 | 4 | | | |
| 22217-100000 | SPRING WASHER 10 | 29- 32 | | | 4 | 4 | |

NUMERICAL PART NO. LIST

| Part No. | Description | Refer. No. | Q'ty/Unit | | | | Remarks |
|--------------|------------------|------------|-----------|--------|-------|--------|---------|
| | | | YMI55 | YMI55D | YMI35 | YMI35D | |
| 22217-100000 | PSRING WASHER 10 | 30- 37 | 2 | 2 | | | |
| 22217-100000 | PSRING WASHER 10 | 31- 37 | 2 | 2 | | | |
| 22217-100000 | SPRING WASHER 10 | 32- 37 | | | 2 | 2 | |
| 22217-100000 | PSRING WASHER 10 | 33- 37 | | | 2 | 2 | |
| 22217-100000 | SPRING WASHER 10 | 34- 10 | 10 | 10 | 10 | 10 | |
| 22217-100000 | SPRING WASHER 10 | 35- 10 | 10 | 10 | | | |
| 22217-100000 | SPRING WASHER 10 | 41- 66 | 16 | 16 | | | |
| 22217-100000 | SPRING WASHER 10 | 42- 58 | 16 | 16 | | | |
| 22217-100000 | SPRING WASHER 10 | 43- 66 | | | 16 | 16 | |
| 22217-100000 | SPRING WASHER 10 | 58- 5 | 10 | 10 | 10 | 10 | |
| 22217-100000 | SPRING WASHER 10 | 58- 55 | 2 | 2 | 2 | 2 | |
| 22217-100000 | SPRING WASHER 10 | 73- 30 | 5 | 5 | | | |
| 22217-100000 | SPRING WASHER 10 | 73- 30 | 1 | 1 | | | |
| 22217-100000 | SPRING WASHER 10 | 73- 45 | 3 | 3 | | | |
| 22217-100000 | SPRING WASHER 10 | 73- 64 | 2 | 2 | | | |
| 22217-100000 | SPRING WASHER 10 | 74- 30 | 5 | 5 | | | |
| 22217-100000 | SPRING WASHER 10 | 74- 44 | 3 | 3 | | | |
| 22217-100000 | SPRING WASHER 10 | 74- 70 | 2 | 2 | | | |
| 22217-100000 | SPRING WASHER 10 | 75- 20 | 1 | 1 | | | |
| 22217-100000 | SPRING WASHER 10 | 76- 30 | 5 | 5 | | | |
| 22217-100000 | SPRING WASHER 10 | 76- 30 | 1 | 1 | | | |
| 22217-100000 | SPRING WASHER 10 | 76- 44 | 3 | 3 | | | |
| 22217-100000 | SPRING WASHER 10 | 76- 51 | 2 | 2 | | | |
| 22217-100000 | SPRING WASHER 10 | 77- 30 | | | 6 | 6 | |
| 22217-100000 | SPRING WASHER 10 | 77- 45 | | | 3 | 3 | |
| 22217-100000 | SPRING WASHER 10 | 77- 64 | | | 2 | 2 | |
| 22217-100000 | SPRING WASHER 10 | 78- 30 | | | 6 | 6 | |
| 22217-100000 | SPRING WASHER 10 | 78- 44 | | | 3 | 3 | |
| 22217-100000 | SPRING WASHER 10 | 78- 70 | | | 2 | 2 | |
| 22217-100000 | SPRING WASHER 10 | 93- 5 | | | 12 | 12 | |
| 22217-100000 | SPRING WASHER 10 | 93- 20 | | | 12 | 12 | |
| 22217-100000 | SPRING WASHER 10 | 94- 34 | 6 | 6 | | | |
| 22217-100000 | SPRING WASHER 10 | 95- 26 | | | 4 | 4 | |
| 22217-120000 | SPRING WASHER 12 | 23- 3 | 8 | | | | |
| 22217-120000 | SPRING WASHER 12 | 24- 3 | | | 8 | | |
| 22217-120000 | SPRING WASHER 12 | 25- 3 | | | 8 | | |
| 22217-120000 | SPRING WASHER 12 | 26- 3 | | | | 8 | |
| 22217-120000 | SPRING WASHER 12 | 30- 35 | 7 | 7 | | | |
| 22217-120000 | SPRING WASHER 12 | 31- 35 | 7 | 7 | | | |
| 22217-120000 | SPRING WASHER 12 | 32- 35 | | | 7 | 7 | |
| 22217-120000 | SPRING WASHER 12 | 33- 35 | | | 7 | 7 | |
| 22217-120000 | SPRING WASHER 12 | 34- 49 | 4 | 4 | 4 | 4 | |
| 22217-120000 | SPRING WASHER 12 | 34- 53 | 4 | 4 | 4 | 4 | |
| 22217-120000 | SPRING WASHER 12 | 41- 40 | 6 | 6 | | | |
| 22217-120000 | SPRING WASHER 12 | 42- 40 | 6 | 6 | | | |

- 45 -

NUMERICAL PART NO. LIST

| Part No. | Description | Refer. No. | Q'ty/Unit | | | | Remarks |
|--------------|------------------|------------|-----------|--------|-------|--------|---------|
| | | | YMI55 | YMI55D | YMI35 | YMI35D | |
| 22217-120000 | SPRING WASHER 12 | 43- 40 | | | 6 | 6 | |
| 22217-120000 | SPRING WASHER 12 | 50- 7 | 8 | | | | |
| 22217-120000 | SPRING WASHER 12 | 50- 29 | 12 | | | | |
| 22217-120000 | SPRING WASHER 12 | 51- 12 | | | 8 | | |
| 22217-120000 | SPRING WASHER 12 | 51- 26 | | | 12 | | |
| 22217-120000 | SPRING WASHER 12 | 52- 7 | 8 | | | | |
| 22217-120000 | SPRING WASHER 12 | 52- 29 | 12 | | | | |
| 22217-120000 | SPRING WASHER 12 | 53- 12 | | | 8 | | |
| 22217-120000 | SPRING WASHER 12 | 53- 26 | | | 12 | | |
| 22217-120000 | SPRING WASHER 12 | 54- 7 | | | 8 | | |
| 22217-120000 | SPRING WASHER 12 | 54- 29 | | | 12 | | |
| 22217-120000 | SPRING WASHER 12 | 55- 12 | | | | 8 | |
| 22217-120000 | SPRING WASHER 12 | 55- 26 | | | | 12 | |
| 22217-120000 | SPRING WASHER 12 | 56- 7 | | | 8 | | |
| 22217-120000 | SPRING WASHER 12 | 56- 29 | | | 12 | | |
| 22217-120000 | SPRING WASHER 12 | 57- 12 | | | | 8 | |
| 22217-120000 | SPRING WASHER 12 | 57- 26 | | | | 12 | |
| 22217-120000 | SPRING WASHER 12 | 58- 32 | 4 | 4 | 4 | 4 | |
| 22217-120000 | SPRING WASHER 12 | 58- 36 | 1 | 1 | 1 | 1 | |
| 22217-120000 | SPRING WASHER 12 | 73- 42 | 2 | 2 | | | |
| 22217-120000 | SPRING WASHER 12 | 74- 42 | 2 | 2 | | | |
| 22217-120000 | SPRING WASHER 12 | 76- 42 | 2 | 2 | | | |
| 22217-120000 | SPRING WASHER 12 | 77- 42 | | | 2 | 2 | |
| 22217-120000 | SPRING WASHER 12 | 78- 42 | | | 2 | 2 | |
| 22217-120000 | SPRING WASHER 12 | 79- 6 | 2 | 2 | | | |
| 22217-120000 | SPRING WASHER 12 | 80- 6 | 2 | 2 | | | |
| 22217-120000 | SPRING WASHER 12 | 81- 17 | 1 | 1 | 1 | 1 | |
| 22217-120000 | SPRING WASHER 12 | 81- 28 | 1 | 1 | 1 | 1 | |
| 22217-120000 | SPRING WASHER 12 | 82- 17 | 1 | 1 | 1 | 1 | |
| 22217-120000 | SPRING WASHER 12 | 82- 28 | 1 | 1 | 1 | 1 | |
| 22217-140000 | SPRING WASHER 14 | 79- 3 | 4 | 4 | | | |
| 22217-140000 | SPRING WASHER 14 | 80- 3 | 4 | 4 | | | |
| 22217-140000 | SPRING WASHER 14 | 81- 17 | 1 | 1 | 1 | 1 | |
| 22217-140000 | SPRING WASHER 14 | 81- 28 | 2 | 2 | 2 | 2 | |
| 22217-140000 | SPRING WASHER 14 | 82- 17 | 2 | 2 | 2 | 2 | |
| 22217-140000 | SPRING WASHER 14 | 82- 28 | 1 | 1 | 1 | 1 | |
| 22217-160000 | SPRING WASHER 16 | 29- 27 | | | 1 | 1 | |
| 22217-160000 | SPRING WASHER 16 | 80- 14 | 2 | 2 | | | |
| 22217-160000 | SPRING WASHER 16 | 81- 38 | 2 | 2 | 2 | 2 | |
| 22217-160000 | SPRING WASHER 16 | 82- 38 | 2 | 2 | 2 | 2 | |
| 22217-160000 | SPRING WASHER 16 | 89- 7 | 20 | 20 | 20 | 20 | |
| 22217-180000 | SPRING WASHER 18 | 23- 27 | 2 | | | | |
| 22217-180000 | SPRING WASHER 18 | 24- 27 | | | 2 | | |
| 22217-200000 | SPRING WASHER 20 | 28- 30 | 1 | 1 | | | |
| 22222-120000 | WASHER 12 | 29- 29 | | | 1 | 1 | |

NUMERICAL PART NO. LIST

| Part No. | Description | Refer. No. | Qty/Unit | | | | Remarks |
|--------------|--------------|------------|----------|--------|-------|--------|---------|
| | | | YMI55 | YMI55D | YMI35 | YMI35D | |
| 22242-000120 | CIRCLIP 12 | 39- 11 | 1 | 1 | | | |
| 22242-000120 | CIRCLIP 12 | 40- 11 | | | 1 | 1 | |
| 22242-000140 | CIRCLIP 14-S | 59- 31 | 1 | 1 | 1 | 1 | |
| 22242-000150 | CIRCLIP 15-S | 39- 29 | 2 | 2 | | | |
| 22242-000150 | CIRCLIP 15-S | 39- 29 | 1 | 1 | | | |
| 22242-000150 | CIRCLIP 15-S | 40- 29 | | | 2 | 2 | |
| 22242-000150 | CIRCLIP 15-S | 40- 29 | | | 1 | 1 | |
| 22242-000200 | CIRCLIP 20-S | 36- 72 | 1 | 1 | | | |
| 22242-000200 | CIRCLIP 20-S | 38- 72 | | | 1 | 1 | |
| 22242-000200 | CIRCLIP 20-S | 44- 17 | 2 | 2 | | | |
| 22242-000200 | CIRCLIP 20-S | 45- 17 | 2 | 2 | | | |
| 22242-000200 | CIRCLIP 20-S | 46- 17 | | | 2 | 2 | |
| 22242-000200 | CIRCLIP 20-S | 94- 17 | 1 | 1 | | | |
| 22242-000200 | CIRCLIP 20-S | 95- 17 | | | 1 | 1 | |
| 22242-000210 | CIRCLIP 21-S | 36- 72 | 1 | 1 | | | |
| 22242-000210 | CIRCLIP 21-S | 37- 72 | 1 | 1 | | | |
| 22242-000210 | CIRCLIP 21-S | 38- 72 | | | 1 | 1 | |
| 22242-000250 | CIRCLIP 25-S | 27- 27 | | | 1 | 1 | |
| 22242-000250 | CIRCLIP 25-S | 36- 7 | 1 | 1 | | | |
| 22242-000250 | CIRCLIP 25-S | 36- 28 | 1 | 1 | | | |
| 22242-000250 | CIRCLIP 25-S | 36- 40 | 3 | 3 | | | |
| 22242-000250 | CIRCLIP 25-S | 36- 60 | 5 | 5 | | | |
| 22242-000250 | CIRCLIP 25-S | 37- 7 | 1 | 1 | | | |
| 22242-000250 | CIRCLIP 25-S | 37- 19 | 1 | 1 | | | |
| 22242-000250 | CIRCLIP 25-S | 37- 28 | 1 | 1 | | | |
| 22242-000250 | CIRCLIP 25-S | 37- 40 | 3 | 3 | | | |
| 22242-000250 | CIRCLIP 25-S | 37- 60 | 4 | 4 | | | |
| 22242-000250 | CIRCLIP 25-S | 38- 7 | | | 1 | 1 | |
| 22242-000250 | CIRCLIP 25-S | 38- 28 | | | 1 | 1 | |
| 22242-000250 | CIRCLIP 25-S | 38- 40 | | | 3 | 3 | |
| 22242-000250 | CIRCLIP 25-S | 38- 60 | | | 5 | 5 | |
| 22242-000250 | CIRCLIP 25-S | 47- 31 | 1 | 1 | | | |
| 22242-000250 | CIRCLIP 25-S | 48- 31 | 1 | 1 | | | |
| 22242-000250 | CIRCLIP 25-S | 49- 31 | | | 1 | 1 | |
| 22242-000250 | CIRCLIP 25-S | 94- 17 | 2 | 2 | | | |
| 22242-000250 | CIRCLIP 25-S | 95- 17 | | | 2 | 2 | |
| 22242-000300 | CIRCLIP 30-S | 27- 54 | | | 2 | 2 | |
| 22242-000300 | CIRCLIP 30-S | 36- 82 | 1 | 1 | | | |
| 22242-000300 | CIRCLIP 30-S | 37- 82 | 1 | 1 | | | |
| 22242-000300 | CIRCLIP 30-S | 38- 82 | | | 1 | 1 | |
| 22242-000300 | CIRCLIP 30-S | 94- 10 | 1 | 1 | | | |
| 22242-000300 | CIRCLIP 30-S | 95- 10 | | | 1 | 1 | |
| 22252-000220 | CIRCLIP 22-H | 36- 58 | 1 | 1 | | | |
| 22252-000220 | CIRCLIP 22-H | 37- 58 | 1 | 1 | | | |
| 22252-000220 | CIRCLIP 22-H | 38- 58 | | | 1 | 1 | |

- 46 -

NUMERICAL PART NO. LIST

| Part No. | Description | Refer. No. | Qty/Unit | | | | Remarks |
|--------------|--------------------|------------|----------|--------|-------|--------|---------|
| | | | YMI55 | YMI55D | YMI35 | YMI35D | |
| 22252-000470 | CIRCLIP 47-H | 94- 20 | 2 | 2 | | | |
| 22252-000470 | CIRCLIP 47-H | 95- 20 | | | 2 | 2 | |
| 22252-000480 | CIRCLIP 48-H | 23- 19 | 2 | | | | |
| 22252-000480 | CIRCLIP 48-H | 24- 19 | | | 2 | | |
| 22252-000480 | CIRCLIP 48-H | 50- 11 | 2 | | | | |
| 22252-000480 | CIRCLIP 48-H | 52- 11 | 2 | | | | |
| 22252-000480 | CIRCLIP 48-H | 54- 11 | | | 2 | | |
| 22252-000480 | CIRCLIP 48-H | 56- 11 | | | 2 | | |
| 22252-000520 | CIRCLIP 52-H | 27- 28 | | | 1 | 1 | |
| 22252-000550 | CIRCLIP 55-H | 94- 9 | 1 | 1 | | | |
| 22252-000550 | CIRCLIP 55-H | 95- 9 | | | 1 | 1 | |
| 22252-000620 | CIRCLIP 62-H | 36- 83 | 1 | 1 | | | |
| 22252-000620 | CIRCLIP 62-H | 37- 83 | 1 | 1 | | | |
| 22252-000620 | CIRCLIP 62-H | 38- 83 | | | 1 | 1 | |
| 22252-000720 | CIRCLIP 72-H | 41- 26 | 1 | 1 | | | |
| 22252-000720 | CIRCLIP 72-H | 42- 26 | 1 | 1 | | | |
| 22252-000720 | CIRCLIP 72-H | 43- 26 | | | 1 | 1 | |
| 22272-000090 | CIRCLIP 9, E-shape | 59- 6 | 1 | 1 | 1 | 1 | |
| 22272-000120 | SNAP RING E-12 | 39- 68 | 1 | 1 | | | |
| 22272-000120 | SNAP RING E-12 | 39- 69 | 1 | 1 | | | |
| 22272-000120 | SNAP RING E-12 | 40- 68 | | | 1 | 1 | |
| 22272-000120 | SNAP RING E-12 | 40- 69 | | | 1 | 1 | |
| 22351-030028 | SPRING PIN 3 x 28 | 30- 45 | 1 | 1 | | | |
| 22351-030028 | SPRING PIN 3 x 28 | 31- 45 | 1 | 1 | | | |
| 22351-030028 | SPRING PIN 3 x 28 | 32- 45 | | | 1 | 1 | |
| 22351-030028 | SPRING PIN 3 x 28 | 33- 45 | | | 1 | 1 | |
| 22351-030028 | SPRING PIN 3 x 28 | 58- 43 | 1 | 1 | 1 | 1 | |
| 22351-030040 | SPRING PIN 3 x 40 | 39- 67 | 1 | 1 | | | |
| 22351-030040 | SPRING PIN 3 x 40 | 40- 67 | | | 1 | 1 | |
| 22351-03028 | SPRING PIN 3 x 28 | 30- 45 | 2 | 2 | | | |
| 22351-03028 | SPRING PIN 3 x 28 | 31- 45 | 2 | 2 | | | |
| 22351-03028 | SPRING PIN 3 x 28 | 32- 45 | | | 2 | 2 | |
| 22351-03028 | SPRING PIN 3 x 28 | 33- 45 | | | 2 | 2 | |
| 22351-040032 | SPRING PIN 4 x 32 | 36- 6 | 1 | 1 | | | |
| 22351-040032 | SPRING PIN 4 x 32 | 37- 6 | 1 | 1 | | | |
| 22351-040032 | SPRING PIN 4 x 32 | 38- 6 | | | 1 | 1 | |
| 22351-040032 | SPRING PIN 4 x 32 | 94- 42 | 2 | 2 | | | |
| 22351-040032 | SPRING PIN 4 x 32 | 95- 32 | | | 2 | 2 | |
| 22351-050028 | SPRING PIN 5 x 28 | 30- 44 | 1 | 1 | | | |
| 22351-050028 | SPRING PIN 5 x 28 | 30- 44 | 2 | 2 | | | |
| 22351-050028 | SPRING PIN 5 x 28 | 31- 44 | 1 | 1 | | | |
| 22351-050028 | SPRING PIN 5 x 28 | 31- 44 | 2 | 2 | | | |
| 22351-050028 | SPRING PIN 5 x 28 | 32- 44 | | | 1 | 1 | |
| 22351-050028 | SPRING PIN 5 x 28 | 32- 44 | | | 2 | 2 | |
| 22351-050028 | SPRING PIN 5 x 28 | 33- 44 | | | 1 | 1 | |

NUMERICAL PART NO. LIST

| Part No. | Description | Refer. No. | Q'ty/Unit | | | | Remarks |
|--------------|-------------------|------------|-----------|--------|-------|--------|---------|
| | | | YMI55 | YMI55D | YMI35 | YMI35D | |
| 22351-050028 | SPRING PIN 5 x 28 | 33- 44 | | | 2 | 2 | |
| 22351-050028 | SPRING PIN 5 x 28 | 58- 42 | 1 | 1 | 1 | 1 | |
| 22351-050040 | SPRING PIN 5 x 40 | 39- 8 | 1 | 1 | | | |
| 22351-050040 | SPRING PIN 5 x 40 | 40- 8 | | | 1 | 1 | |
| 22351-050050 | SPRING PIN 5 x 50 | 58- 29 | 1 | 1 | 1 | 1 | |
| 22351-060025 | SPRING PIN 6 x 25 | 39- 25 | 2 | 1 | | | |
| 22351-060025 | SPRING PIN 6 x 25 | 39- 41 | | 1 | | | |
| 22351-060025 | SPRING PIN 6 x 25 | 40- 25 | | | 2 | 1 | |
| 22351-060025 | SPRING PIN 6 x 25 | 40- 41 | | | | 1 | |
| 22351-060025 | SPRING PIN 6 x 25 | 59- 7 | 1 | 1 | 1 | 1 | |
| 22351-060028 | SPRING PIN 6 x 28 | 44- 29 | 1 | 1 | | | |
| 22351-060028 | SPRING PIN 6 x 28 | 45- 29 | 1 | 1 | | | |
| 22351-060028 | SPRING PIN 6 x 28 | 46- 29 | | | 1 | 1 | |
| 22351-060032 | SPRING PIN 6 x 32 | 44- 21 | 1 | 1 | | | |
| 22351-060032 | SPRING PIN 6 x 32 | 45- 21 | 1 | 1 | | | |
| 22351-060032 | SPRING PIN 6 x 32 | 46- 21 | | | 1 | 1 | |
| 22351-080016 | SPRING PIN 8 x 16 | 30- 56 | 2 | 2 | | | |
| 22351-080016 | SPRING PIN 8 x 16 | 31- 56 | 2 | 2 | | | |
| 22351-080016 | SPRING PIN 8 x 16 | 32- 56 | | | 2 | 2 | |
| 22351-080016 | SPRING PIN 8 x 16 | 33- 56 | | | 2 | 2 | |
| 22351-080040 | SPRING PIN 8 x 40 | 47- 27 | 1 | 1 | | | |
| 22351-080040 | SPRING PIN 8 x 40 | 48- 27 | 1 | 1 | | | |
| 22351-080040 | SPRING PIN 8 x 40 | 49- 27 | | | 1 | 1 | |
| 22360-080000 | SNAP PIN 8 | 73- 56 | 1 | 1 | | | |
| 22360-080000 | SNAP PIN 8 | 74- 62 | 1 | 1 | | | |
| 22360-080000 | SNAP PIN 8 | 75- 39 | 1 | 1 | | | |
| 22360-080000 | SNAP PIN 8 | 77- 57 | | | 1 | 1 | |
| 22360-080000 | SNAP PIN 8 | 78- 63 | | | 1 | 1 | |
| 22360-100000 | SNAP PIN 10 | 50- 31 | 2 | | | | |
| 22360-100000 | SNAP PIN 10 | 51- 28 | | 2 | | | |
| 22360-100000 | SNAP PIN 10 | 52- 31 | 2 | | | | |
| 22360-100000 | SNAP PIN 10 | 53- 28 | | 2 | | | |
| 22360-100000 | SNAP PIN 10 | 54- 31 | | | 2 | | |
| 22360-100000 | SNAP PIN 10 | 55- 28 | | | | 2 | |
| 22360-100000 | SNAP PIN 10 | 56- 31 | | | 2 | | |
| 22360-100000 | SNAP PIN 10 | 57- 28 | | | | 2 | |
| 22360-190000 | SNAP PIN 19 | 79- 8 | 1 | 1 | | | |
| 22360-190000 | SNAP PIN 19 | 80- 8 | 1 | 1 | | | |
| 22417-200100 | COTTER PIN 2 x 10 | 18- 15 | 1 | 1 | | | |
| 22417-200100 | COTTER PIN 2 x 10 | 19- 15 | 1 | 1 | | | |
| 22417-200100 | COTTER PIN 2 x 10 | 19- 24 | 2 | 2 | | | |
| 22417-200100 | COTTER PIN 2 x 10 | 20- 15 | | | 1 | 1 | |
| 22417-200100 | COTTER PIN 2 x 10 | 67- 45 | 2 | 2 | | | |
| 22417-200100 | COTTER PIN 2 x 10 | 68- 18 | 2 | 2 | | | |
| 22417-200100 | COTTER PIN 2 x 10 | 69- 15 | 2 | 2 | | | |

- 47 -

NUMERICAL PART NO. LIST

| Part No. | Description | Refer. No. | Q'ty/Unit | | | | Remarks |
|--------------|-------------------|------------|-----------|--------|-------|--------|---------|
| | | | YMI55 | YMI55D | YMI35 | YMI35D | |
| 22417-200100 | COTTER PIN 2 x 10 | 70- 18 | 2 | 2 | | | |
| 22417-200100 | COTTER PIN 3 x 10 | 71- 36 | | | 2 | 2 | |
| 22417-200100 | COTTER PIN 2 x 10 | 72- 11 | | | 2 | 2 | |
| 22417-200100 | COTTER PIN 2 x 10 | 83- 8 | 2 | 2 | 2 | 2 | |
| 22417-200120 | COTTER PIN 2 x 12 | 18- 12 | 2 | 2 | | | |
| 22417-200120 | COTTER PIN 2 x 12 | 19- 12 | 2 | 2 | | | |
| 22417-200120 | COTTER PIN 2 x 12 | 20- 12 | | | 2 | 2 | |
| 22417-200150 | COTTER PIN 2 x 15 | 22- 16 | | | 4 | 4 | |
| 22417-200150 | COTTER PIN 2 x 15 | 22- 16 | | | 2 | 2 | |
| 22417-200150 | COTTER PIN 2 x 15 | 30- 28 | 2 | 2 | | | |
| 22417-200150 | COTTER PIN 2 x 15 | 31- 28 | 2 | 2 | | | |
| 22417-200150 | COTTER PIN 2 x 15 | 32- 28 | | | 2 | 2 | |
| 22417-200150 | COTTER PIN 2 x 15 | 33- 28 | | | 2 | 2 | |
| 22417-200150 | COTTER PIN 2 x 15 | 44- 26 | 2 | 2 | | | |
| 22417-200150 | COTTER PIN 2 x 15 | 45- 26 | 2 | 2 | | | |
| 22417-200150 | COTTER PIN 2 x 15 | 46- 26 | | | 2 | 2 | |
| 22417-200150 | COTTER PIN 2 x 15 | 47- 20 | 2 | 2 | | | |
| 22417-200150 | COTTER PIN 2 x 15 | 47- 45 | 2 | 2 | | | |
| 22417-200150 | COTTER PIN 2 x 15 | 48- 20 | 2 | 2 | | | |
| 22417-200150 | COTTER PIN 2 x 15 | 48- 45 | 2 | 2 | | | |
| 22417-200150 | COTTER PIN 2 x 15 | 49- 20 | | | 2 | 2 | |
| 22417-200150 | COTTER PIN 2 x 15 | 49- 45 | | | 2 | 2 | |
| 22417-200150 | COTTER PIN 2 x 15 | 73- 39 | 1 | 1 | | | |
| 22417-200150 | COTTER PIN 2 x 15 | 74- 39 | 1 | 1 | | | |
| 22417-200150 | COTTER PIN 2 x 15 | 75- 28 | 2 | 2 | | | |
| 22417-200150 | COTTER PIN 2 x 15 | 76- 39 | 2 | 2 | | | |
| 22417-200150 | COTTER PIN 2 x 15 | 77- 39 | | | 1 | 1 | |
| 22417-200150 | COTTER PIN 2 x 15 | 78- 39 | | | 1 | 1 | |
| 22417-200180 | COTTER PIN 2 x 18 | 47- 26 | 1 | 1 | | | |
| 22417-200180 | COTTER PIN 2 x 18 | 48- 26 | 1 | 1 | | | |
| 22417-200180 | COTTER PIN 2 x 18 | 49- 26 | | | 1 | 1 | |
| 22417-200200 | COTTER PIN 2 x 20 | 44- 26 | 2 | 2 | | | |
| 22417-200200 | COTTER PIN 2 x 20 | 46- 26 | | | 2 | 2 | |
| 22417-200200 | COTTER PIN 2 x 20 | 47- 20 | 2 | 2 | | | |
| 22417-200200 | COTTER PIN 2 x 20 | 47- 26 | 1 | 1 | | | |
| 22417-200200 | COTTER PIN 2 x 20 | 47- 38 | 1 | 1 | | | |
| 22417-200200 | COTTER PIN 2 x 20 | 47- 45 | 2 | 2 | | | |
| 22417-200200 | COTTER PIN 2 x 20 | 48- 38 | 1 | 1 | | | |
| 22417-200200 | COTTER PIN 2 x 20 | 49- 20 | | | 2 | 2 | |
| 22417-200200 | COTTER PIN 2 x 20 | 49- 26 | | | 1 | 1 | |
| 22417-200200 | COTTER PIN 2 x 20 | 49- 38 | | | 1 | 1 | |
| 22417-200200 | COTTER PIN 2 x 20 | 49- 45 | | | 2 | 2 | |
| 22417-200200 | COTTER PIN 2 x 20 | 73- 39 | 2 | 2 | | | |
| 22417-200200 | COTTER PIN 2 x 20 | 74- 39 | 2 | 2 | | | |
| 22417-200200 | COTTER PIN 2 x 20 | 76- 39 | 2 | 2 | | | |

NUMERICAL PART NO. LIST

| Part No. | Description | Refer. No. | Qty/Unit | | | | Remarks |
|--------------|------------------------|------------|----------|--------|-------|--------|---------|
| | | | YMI55 | YMI55D | YMI35 | YMI35D | |
| 22417-200200 | COTTER PIN 2 x 20 | 77- 39 | | | 2 | 2 | |
| 22417-200200 | COTTER PIN 2 x 20 | 78- 39 | | | 2 | 2 | |
| 22417-300200 | COTTER PIN 3 x 20 | 39- 22 | 1 | 1 | | | |
| 22417-300200 | COTTER PIN 3 x 20 | 39- 32 | 1 | 1 | | | |
| 22417-300200 | COTTER PIN 3 x 20 | 39- 47 | | 1 | | | |
| 22417-300200 | COTTER PIN 3 x 20 | 40- 22 | | | 1 | 1 | |
| 22417-300200 | COTTER PIN 3 x 20 | 40- 32 | | | 1 | 1 | |
| 22417-300200 | COTTER PIN 3 x 20 | 40- 47 | | | | 1 | |
| 22417-300200 | COTTER PIN 3 x 20 | 58- 62 | 3 | 3 | 3 | 3 | |
| 22417-300250 | COTTER PIN 3 x 25 | 23- 11 | 2 | | | | |
| 22417-300250 | COTTER PIN 3 x 25 | 23- 15 | 2 | | | | |
| 22417-300250 | COTTER PIN 3 x 25 | 24- 11 | | 2 | | | |
| 22417-300250 | COTTER PIN 3 x 25 | 24- 15 | | 2 | | | |
| 22417-300250 | COTTER PIN 3 x 25 | 25- 56 | | 1 | | | |
| 22417-300250 | COTTER PIN 3 x 25 | 25- 60 | | 1 | | | |
| 22417-300250 | COTTER PIN 3 x 25 | 26- 56 | | | | 1 | |
| 22417-300250 | COTTER PIN 3 x 25 | 26- 60 | | | | 1 | |
| 22417-300250 | COTTER PIN 3 x 25 | 28- 45 | 2 | | | | |
| 22417-300250 | COTTER PIN 3 x 25 | 28- 49 | | 2 | | | |
| 22417-300250 | COTTER PIN 3 x 25 | 29- 41 | | | | 2 | |
| 22417-300250 | COTTER PIN 3 x 25 | 29- 45 | | | 2 | | |
| 22417-300250 | COTTER PIN 3 x 25 | 30- 48 | 1 | 1 | | | |
| 22417-300250 | COTTER PIN 3 x 25 | 31- 48 | 1 | 1 | | | |
| 22417-300250 | COTTER PIN 3 x 25 | 32- 48 | | | 1 | 1 | |
| 22417-300250 | COTTER PIN 3 x 25 | 33- 48 | | | 1 | 1 | |
| 22417-300250 | COTTER PIN 3 x 25 | 39- 21 | 1 | 1 | | | |
| 22417-300250 | COTTER PIN 3 x 25 | 39- 58 | 1 | 1 | | | |
| 22417-300250 | COTTER PIN 3 x 25 | 40- 21 | | | 1 | 1 | |
| 22417-300250 | COTTER PIN 3 x 25 | 40- 58 | | | 1 | 1 | |
| 22417-400300 | COTTER PIN 4 x 30 | 23- 8 | 1 | | | | |
| 22417-400300 | COTTER PIN 4 x 30 | 24- 8 | | | 1 | | |
| 22417-400300 | COTTER PIN 4 x 30 | 25- 7 | | 1 | | | |
| 22417-400300 | COTTER PIN 4 x 30 | 26- 7 | | | | 1 | |
| 22417-400400 | COTTER PIN 4 x 40 | 23- 8 | 1 | | | | |
| 22417-400400 | COTTER PIN 4 x 40 | 25- 7 | | 1 | | | |
| 22417-400400 | COTTER PIN 4 x 40 | 50- 13 | 2 | | | | |
| 22417-400400 | COTTER PIN 4 x 40 | 52- 13 | 2 | | | | |
| 22417-400400 | COTTER PIN 4 x 40 | 54- 13 | | | 2 | | |
| 22417-400400 | COTTER PIN 4 x 40 | 56- 13 | | | 2 | | |
| 22512-070260 | KEY 7 x 26, feather | 25- 41 | | 2 | | | |
| 22512-070260 | KEY 7 x 26, feather | 26- 41 | | | | 2 | |
| 22522-040160 | KEY 4 x 16 | 94- 12 | 1 | 1 | | | |
| 22522-040160 | KEY 4 x 16 | 95- 12 | | | 1 | 1 | |
| 22857-040100 | SCREW M4 x 10, tapping | 67- 30 | 6 | 6 | | | |
| 22857-040100 | SCREW M4 x 10, tapping | 67- 32 | 6 | 6 | | | |

- 48 -

NUMERICAL PART NO. LIST

| Part No. | Description | Refer. No. | Qty/Unit | | | | Remarks |
|--------------|-------------------------|------------|----------|--------|-------|--------|---------|
| | | | YMI55 | YMI55D | YMI35 | YMI35D | |
| 22857-040100 | SCREW M4 x 10, tapping | 68- 35 | 6 | 6 | | | |
| 22857-040100 | SCREW M4 x 10, tapping | 68- 37 | 6 | 6 | | | |
| 22857-040100 | SCREW M4 x 10, tapping | 70- 35 | 6 | 6 | | | |
| 22857-040100 | SCREW M4 x 10, tapping | 70- 37 | 6 | 6 | | | |
| 22857-040100 | SCREW M4 x 10, tapping | 72- 28 | | | 6 | 6 | |
| 22857-040100 | SCREW M4 x 10, tapping | 72- 30 | | | 6 | 6 | |
| 22857-400100 | SCREW M4 x 10, tapping | 30- 9 | 2 | | | | |
| 22857-400100 | SCREW M4 x 10, tapping | 30- 18 | | 2 | | | |
| 22857-400100 | SCREW M4 x 10, tapping | 31- 9 | 2 | | | | |
| 22857-400100 | SCREW M4 x 10, tapping | 31- 18 | | 2 | | | |
| 22857-400100 | SCREW M4 x 10, tapping | 32- 9 | | | 2 | | |
| 22857-400100 | SCREW M4 x 10, tapping | 32- 9 | | | 2 | | |
| 22857-400100 | SCREW M4 x 10, tapping | 32- 18 | | | | 2 | |
| 22857-400100 | SCREW M4 x 10, tapping | 33- 9 | | | 2 | | |
| 22857-400100 | SCREW M4 x 10, tapping | 33- 18 | | | | 2 | |
| 22857-400100 | SCREW M4 x 10, tapping | 60- 14 | 2 | 2 | 2 | 2 | |
| 22857-400100 | SCREW M4 x 10, tapping | 61- 3 | 4 | 4 | | | |
| 22857-400100 | SCREW M4 x 10, tapping | 62- 3 | 4 | 4 | | | |
| 22857-400100 | SCREW M4 x 10, tapping | 65- 3 | | | 4 | 4 | |
| 22857-400100 | SCREW M4 x 10, tapping | 66- 3 | | | 4 | 4 | |
| 22857-400100 | SCREW M4 x 10, tapping | 67- 12 | 6 | 6 | | | |
| 22857-400100 | SCREW M4 x 10, tapping | 67- 14 | 6 | 6 | | | |
| 22857-400100 | SCREW M4 x 10, tapping | 68- 35 | 6 | 6 | | | |
| 22857-400100 | SCREW M4 x 10, tapping | 68- 37 | 6 | 6 | | | |
| 22857-400100 | SCREW M4 x 10, tapping | 69- 25 | 6 | 6 | | | |
| 22857-400100 | SCREW M4 x 10, tapping | 69- 27 | 6 | 6 | | | |
| 22857-400100 | SCREW M4 x 10, tapping | 71- 10 | | | 6 | 6 | |
| 22857-400100 | SCREW M4 x 10, tapping | 71- 12 | | | 6 | 6 | |
| 22857-400100 | SCREW M4 x 10, tapping | 71- 26 | | | 6 | 6 | |
| 22857-400100 | SCREW M4 x 10, tapping | 71- 28 | | | 6 | 6 | |
| 22857-400100 | SCREW M4 x 10, tapping | 72- 28 | | | 6 | 6 | |
| 22857-400100 | SCREW M4 x 10, tapping | 72- 30 | | | 6 | 6 | |
| 23010-100000 | CLAMP | 27- 15 | | 1 | | 1 | |
| 23010-105000 | CLAMP | 27- 15 | | 1 | | | |
| 23010-115000 | BAND, hose | 27- 14 | | 1 | | | |
| 23061-050430 | PIPE 5 x 430, breathing | 41- 42 | 2 | 2 | | | |
| 23061-050430 | PIPE 5 x 430, breathing | 43- 42 | | | 2 | 2 | |
| 23061-070130 | TUBE 7 x130, vinyl | 61- 18 | 2 | 2 | | | |
| 23061-070130 | TUBE 7 x130, vinyl | 65- 18 | | | 2 | 2 | |
| 23065-050360 | PIPE 5 x 360, breathing | 41- 42 | 2 | 2 | | | |
| 23065-050360 | PIPE 5 x 360, breathing | 42- 42 | 2 | 2 | | | |
| 23414-080000 | PACKING 8 | 34- 33 | 4 | 4 | 4 | 4 | |
| 23414-080000 | PACKING 8 | 34- 38 | 10 | 10 | 10 | 10 | |
| 23414-080000 | PACKING 8 | 34- 57 | 1 | 1 | | | |
| 23414-080000 | PACKING 8 | 35- 38 | 10 | 10 | | | |

NUMERICAL PART NO. LIST

| Part No. | Description | Refer. No. | Q'ty/Unit | | | | Remarks |
|--------------|-------------------|------------|-----------|--------|-------|--------|---------|
| | | | YMI55 | YMI55D | YMI35 | YMI35D | |
| 23414-080000 | PACKING 8 | 35- 48 | 1 | 1 | | | |
| 23414-080000 | PACKING 8 | 58- 9 | 3 | 3 | 3 | 3 | |
| 23414-140000 | PACKING 14 | 63- 24 | 1 | 1 | | | |
| 23414-160000 | PACKING 16 | 58- 22 | 1 | 1 | 1 | 1 | |
| 23418-060000 | PACKING 6 | 23- 33 | 1 | | | | |
| 23418-060000 | PACKING 6 | 24- 33 | | | 1 | | |
| 24101-062044 | BALL BEARING 6204 | 36- 5 | 1 | 1 | | | |
| 24101-062044 | BALL BEARING 6204 | 36- 54 | | 1 | | | |
| 24101-062044 | BALL BEARING 6204 | 37- 5 | 1 | 1 | | | |
| 24101-062044 | BALL BEARING 6204 | 37- 54 | | 1 | | | |
| 24101-062044 | BALL BEARING 6204 | 38- 5 | | | 1 | 1 | |
| 24101-062044 | BALL BEARING 6204 | 38- 54 | | | | 1 | |
| 24101-062044 | BALL BEARING 6204 | 44- 18 | 2 | 2 | | | |
| 24101-062044 | BALL BEARING 6204 | 45- 18 | 2 | 2 | | | |
| 24101-062044 | BALL BEARING 6204 | 46- 18 | | | 2 | 2 | |
| 24101-062044 | BALL BEARING 6204 | 50- 10 | 2 | | | | |
| 24101-062044 | BALL BEARING 6204 | 52- 10 | 2 | | | | |
| 24101-062044 | BALL BEARING 6204 | 54- 10 | | 2 | | | |
| 24101-062044 | BALL BEARING 6204 | 56- 10 | | 2 | | | |
| 24101-062050 | BALL BEARING 6205 | 27- 78 | 2 | | 2 | | |
| 24101-062054 | BALL BEARING 6205 | 23- 18 | 2 | | | | |
| 24101-062054 | BALL BEARING 6205 | 24- 18 | | 2 | | | |
| 24101-062054 | BALL BEARING 6205 | 27- 78 | | 2 | 2 | | |
| 24101-062054 | BALL BEARING 6205 | 36- 64 | 1 | 1 | | | |
| 24101-062054 | BALL BEARING 6205 | 36- 67 | 1 | 1 | | | |
| 24101-062054 | BALL BEARING 6205 | 36- 84 | 1 | 1 | | | |
| 24101-062054 | BALL BEARING 6205 | 37- 64 | 1 | 1 | | | |
| 24101-062054 | BALL BEARING 6205 | 37- 67 | 1 | 1 | | | |
| 24101-062054 | BALL BEARING 6205 | 37- 84 | 1 | 1 | | | |
| 24101-062054 | BALL BEARING 6205 | 38- 64 | | | 1 | 1 | |
| 24101-062054 | BALL BEARING 6205 | 38- 67 | | | 1 | 1 | |
| 24101-062054 | BALL BEARING 6205 | 38- 84 | | | 1 | 1 | |
| 24101-062054 | BALL BEARING 6205 | 50- 9 | 2 | | | | |
| 24101-062054 | BALL BEARING 6205 | 52- 9 | 2 | | | | |
| 24101-062054 | BALL BEARING 6205 | 54- 9 | | 2 | | | |
| 24101-062054 | BALL BEARING 6205 | 56- 9 | | 2 | | | |
| 24101-062064 | BALL BEARING 6208 | 36- 85 | 1 | 1 | | | |
| 24101-062064 | BALL BEARING 6206 | 37- 20 | 1 | 1 | | | |
| 24101-062064 | BALL BEARING 6208 | 38- 85 | | | 1 | 1 | |
| 24101-062064 | BALL BEARING 6206 | 41- 25 | 2 | 2 | | | |
| 24101-062064 | BALL BEARING 6206 | 42- 25 | 2 | 2 | | | |
| 24101-062064 | BALL BEARING 6206 | 43- 25 | | 2 | 2 | | |
| 24101-062074 | BALL BEARING 6207 | 27- 53 | 2 | | 2 | | |
| 24101-062074 | BALL BEARING 6207 | 41- 30 | 2 | 2 | | | |
| 24101-062074 | BALL BEARING 6207 | 42- 30 | 2 | 2 | | | |

- 49 -

NUMERICAL PART NO. LIST

| Part No. | Description | Refer. No. | Q'ty/Unit | | | | Remarks |
|--------------|--------------------|------------|-----------|--------|-------|--------|---------|
| | | | YMI55 | YMI55D | YMI35 | YMI35D | |
| 24101-062074 | BALL BEARING 6207 | 43- 30 | | | 2 | 2 | |
| 24101-063034 | BALL BEARING 6303 | 36- 21 | 1 | 1 | | | |
| 24101-063034 | BALL BEARING 6303 | 36- 22 | 1 | 1 | | | |
| 24101-063034 | BALL BEARING 6303 | 36- 32 | 1 | 1 | | | |
| 24101-063034 | BALL BEARING 6303 | 36- 55 | | 1 | | | |
| 24101-063034 | BALL BEARING 6303 | 36- 63 | 1 | 1 | | | |
| 24101-063034 | BALL BEARING 6303 | 37- 21 | 1 | 1 | | | |
| 24101-063034 | BALL BEARING 6303 | 37- 22 | 1 | 1 | | | |
| 24101-063034 | BALL BEARING 6303 | 37- 32 | 1 | 1 | | | |
| 24101-063034 | BALL BEARING 6303 | 37- 55 | | 1 | | | |
| 24101-063034 | BALL BEARING 6303 | 37- 63 | 1 | 1 | | | |
| 24101-063034 | BALL BEARING 6303 | 38- 21 | | | 1 | 1 | |
| 24101-063034 | BALL BEARING 6303 | 38- 22 | | | 1 | 1 | |
| 24101-063034 | BALL BEARING 6303 | 38- 32 | | | 1 | 1 | |
| 24101-063034 | BALL BEARING 6303 | 38- 55 | | | | 1 | |
| 24101-063034 | BALL BEARING 6303 | 38- 63 | | | 1 | 1 | |
| 24101-063044 | BALL BEARING 6304 | 27- 29 | | 1 | | 1 | |
| 24101-063044 | BALL BEARING 6304 | 36- 68 | 1 | 1 | | | |
| 24101-063044 | BALL BEARING 6304 | 37- 68 | 1 | 1 | | | |
| 24101-063044 | BALL BEARING 6304 | 38- 68 | | | 1 | 1 | |
| 24101-063054 | BALL BEARING 6305 | 27- 26 | | 1 | | 1 | |
| 24101-063054 | BALL BEARING 6305 | 27- 57 | | 2 | | 2 | |
| 24101-063054 | BALL BEARING 6305 | 27- 73 | | 2 | | 2 | |
| 24101-063064 | BALL BEARING 6306 | 27- 74 | | 2 | | 2 | |
| 24101-063064 | BALL BEARING 6306 | 27- 74 | | 4 | | 4 | |
| 24101-063064 | BALL BEARING 6306 | 41- 57 | 2 | 2 | | | |
| 24101-063064 | BALL BEARING 6306 | 42- 47 | 2 | 2 | | | |
| 24101-063064 | BALL BEARING 6306 | 43- 57 | | | 2 | 2 | |
| 24102-062054 | BALL BEARING 6205U | 27- 81 | | 2 | | 2 | |
| 24105-060064 | BALL BEARING 6006 | 94- 8 | 2 | 2 | | | |
| 24105-060064 | BALL BEARING 6006 | 95- 8 | | | 2 | 2 | |
| 24190-060001 | BALL 3/16 | 58- 19 | 1 | 1 | 1 | 1 | |
| 24190-060003 | BALL 3/16 | 58- 19 | 1 | 1 | 1 | 1 | |
| 24190-100002 | BALL 5/16 | 39- 20 | 2 | 2 | | | |
| 24190-100002 | BALL 5/16 | 39- 31 | 1 | 1 | | | |
| 24190-100002 | BALL 5/16 | 39- 46 | | 1 | | | |
| 24190-100002 | BALL 5/16 | 39- 57 | 1 | 1 | | | |
| 24190-100002 | BALL 5/16 | 40- 20 | | | 1 | 1 | |
| 24190-100002 | BALL 5/16 | 40- 31 | | | 1 | 1 | |
| 24190-100002 | BALL 5/16 | 40- 46 | | | | 1 | |
| 24190-100002 | BALL 5/16 | 40- 57 | | | 1 | 1 | |
| 24190-100002 | BALL 5/16 | 59- 9 | 1 | 1 | 1 | 1 | |
| 24190-120002 | BALL 3/8 | 59- 20 | 1 | 1 | 1 | 1 | |
| 24190-130001 | BALL 13/32 | 59- 38 | 1 | 1 | 1 | 1 | |
| 24311-000080 | O-RING 8-P | 59- 21 | 1 | 1 | 1 | 1 | |

NUMERICAL PART NO. LIST

| Part No. | Description | Refer. No. | Q'ty/Unit | | | | Remarks |
|--------------|---------------|------------|-----------|--------|-------|--------|---------|
| | | | YMI55 | YMI55D | YMI35 | YMI35D | |
| 24311-000080 | O-RING 8-P | 59- 26 | 1 | 1 | 1 | 1 | |
| 24311-000090 | O-RING 9-P | 58- 20 | 1 | 1 | 1 | 1 | |
| 24311-000090 | O-RING 9-P | 58- 28 | 1 | 1 | 1 | 1 | |
| 24311-000110 | O-RING 11-P | 39- 18 | 2 | 2 | | | |
| 24311-000110 | O-RING 11-P | 39- 28 | 1 | 1 | | | |
| 24311-000110 | O-RING 11-P | 39- 44 | | 1 | | | |
| 24311-000110 | O-RING 11-P | 39- 55 | 1 | 1 | | | |
| 24311-000110 | O-RING 11-P | 40- 18 | | | 2 | 2 | |
| 24311-000110 | O-RING 11-P | 40- 28 | | 1 | 1 | | |
| 24311-000110 | O-RING 11-P | 40- 44 | | | 1 | | |
| 24311-000110 | O-RING 11-P | 40- 55 | | | 1 | 1 | |
| 24311-000120 | O-RING 12-P | 25- 17 | | 2 | | | |
| 24311-000120 | O-RING 12-P | 25- 37 | | 2 | | | |
| 24311-000120 | O-RING 12-P | 26- 17 | | | 2 | | |
| 24311-000120 | O-RING 12-P | 26- 37 | | | 2 | | |
| 24311-000120 | O-RING 12-P | 41- 44 | 2 | 2 | | | |
| 24311-000120 | O-RING 12-P | 42- 44 | 2 | 2 | | | |
| 24311-000120 | O-RING 12-P | 43- 44 | | | 2 | 2 | |
| 24311-000125 | O-RING 12.5-P | 59- 25 | 1 | 1 | 1 | 1 | |
| 24311-000140 | O-RING 14-P | 30- 46 | 2 | 2 | | | |
| 24311-000140 | O-RING 14-P | 31- 46 | 2 | 2 | | | |
| 24311-000140 | O-RING 14-P | 32- 46 | | | 2 | 2 | |
| 24311-000140 | O-RING 14-P | 33- 46 | | | 2 | 2 | |
| 24311-000140 | O-RING 14-P | 39- 36 | 1 | 1 | | | |
| 24311-000140 | O-RING 14-P | 39- 50 | | 2 | | | |
| 24311-000140 | O-RING 14-P | 39- 64 | 1 | 1 | | | |
| 24311-000140 | O-RING 14-P | 40- 36 | | | 1 | 1 | |
| 24311-000140 | O-RING 14-P | 40- 50 | | | 2 | 2 | |
| 24311-000140 | O-RING 14-P | 40- 64 | | | 1 | 1 | |
| 24311-000140 | O-RING 14-P | 58- 13 | 1 | 1 | 1 | 1 | |
| 24311-000140 | O-RING 14-P | 58- 35 | 2 | 2 | 2 | 2 | |
| 24311-000140 | O-RING 14-P | 58- 35 | | 1 | | | |
| 24311-000140 | O-RING 14-P | 58- 35 | 1 | 1 | 1 | | |
| 24311-000140 | O-RING 14-P | 59- 8 | 2 | 2 | 2 | 2 | |
| 24311-000140 | O-RING 14-P | 60- 21 | 2 | 2 | 2 | 2 | |
| 24311-000150 | O-RING 15-P | 58- 16 | 1 | 1 | 1 | 1 | |
| 24311-000160 | O-RING 16-P | 44- 5 | 1 | 1 | | | |
| 24311-000160 | O-RING 16-P | 45- 5 | 1 | 1 | | | |
| 24311-000160 | O-RING 16-P | 46- 5 | | | 1 | 1 | |
| 24311-000180 | O-RING 18-P | 34-1 | | 1 | | | |
| 24311-000180 | O-RING 18-P | 34- 7 | 1 | 1 | 1 | 1 | |
| 24311-000180 | O-RING 18-P | 35- 7 | 1 | 1 | | | |
| 24311-000180 | O-RING 18-P | 73- 15 | 1 | 1 | | | |
| 24311-000180 | O-RING 18-P | 73- 15 | 2 | 2 | | | |
| 24311-000180 | O-RING 18-P | 74- 15 | 2 | 2 | | | |

NUMERICAL PART NO. LIST

| Part No. | Description | Refer. No. | Q'ty/Unit | | | | Remarks |
|--------------|---------------------|------------|-----------|--------|-------|--------|---------|
| | | | YMI55 | YMI55D | YMI35 | YMI35D | |
| 24311-000180 | O-RING 18-P | 75- 6 | 2 | 2 | | | |
| 24311-000180 | O-RING 18-P | 76- 15 | 2 | 2 | | | |
| 24311-000180 | O-RING 18-P | 77- 15 | | | 1 | 1 | |
| 24311-000180 | O-RING 18-P | 77- 15 | | | 2 | 2 | |
| 24311-000180 | O-RING 18-P | 78- 15 | | | 2 | 2 | |
| 24311-000200 | O-RING 20-P | 27- 31 | | 1 | | 1 | |
| 24311-000200 | O-RING 20-P | 34- 7 | 1 | 1 | 1 | 1 | |
| 24311-000200 | O-RING 20-P | 60- 2 | 1 | 1 | 1 | 1 | |
| 24311-000200 | O-RING 20-P | 60- 7 | 1 | 1 | 1 | 1 | |
| 24311-000200 | O-RING 20-P | 60- 21 | 2 | 2 | 2 | 2 | |
| 24311-000220 | O-RING 22-P | 27- 67 | | 2 | | 2 | |
| 24311-000250 | O-RING 25-P | 41- 51 | 2 | 2 | | | |
| 24311-000250 | O-RING 25-P | 42- 51 | 2 | 2 | | | |
| 24311-000250 | O-RING 25-P | 43- 51 | | | 2 | 2 | |
| 24311-000250 | O-RING 25-P | 47- 32 | 2 | 2 | | | |
| 24311-000250 | O-RING 25-P | 48- 32 | 2 | 2 | | | |
| 24311-000250 | O-RING 25-P | 49- 32 | | | 2 | 2 | |
| 24311-000300 | O-RING 30-P | 58- 50 | 1 | 1 | 1 | 1 | |
| 24311-000350 | O-RING 35-P | 58- 51 | 1 | 1 | 1 | 1 | |
| 24311-000410 | O-RING 41-P | 36- 53 | | 1 | | | |
| 24311-000410 | O-RING 41-P | 37- 53 | | 1 | | | |
| 24311-000410 | O-RING 41-P | 38- 53 | | | 1 | 1 | |
| 24311-240100 | O-RING P10A | 59- 11 | 1 | 1 | 1 | 1 | |
| 24311-350220 | O-RING P22A | 25- 15 | | 2 | | | |
| 24311-350220 | O-RING P22A | 26- 15 | | | | 2 | |
| 24311-570500 | O-RING P50A | 58- 38 | 1 | 1 | 1 | 1 | |
| 24321-000600 | O-RING 60-G | 25- 21 | | 1 | | | |
| 24321-000600 | O-RING 60-G | 26- 21 | | | | 1 | |
| 24322-000600 | O-RING 60-G | 25- 21 | | 1 | | | |
| 24322-000600 | O-RING 60-G | 26- 21 | | | | 1 | |
| 24341-000040 | O-RING 4-S | 21- 27 | 1 | 1 | | | |
| 24341-000040 | O-RING 4-S | 22- 27 | | | 1 | 1 | |
| 24341-000180 | O-RING 18-P | 34-1 | | 1 | | | |
| 24341-000280 | O-RING 28-S | 34- 24 | 1 | | 1 | | |
| 24341-000280 | O-RING 28-S | 34- 28 | | 1 | | 1 | |
| 24341-000280 | O-RING 28-S | 35- 23 | 1 | 1 | | | |
| 24341-000300 | O-RING 30-S | 25- 34 | | 2 | | | |
| 24341-000300 | O-RING 30-S | 25- 34 | | 1 | | | |
| 24341-000300 | O-RING 30-S | 26- 34 | | | | 2 | |
| 24341-000300 | O-RING 30-S | 26- 34 | | | | 1 | |
| 24341-000300 | O-RING 30-S | 34- 24 | 1 | | 1 | | |
| 24341-000300 | O-RING 30-S | 34- 28 | | 1 | | 1 | |
| 24761-010000 | GREASE NIPPLE A-M6F | 30- 3 | 1 | | | | |
| 24761-010000 | GREASE NIPPLE A-M6F | 30- 12 | | 1 | | | |
| 24761-010000 | GREASE NIPPLE A-M6F | 31- 3 | 1 | | | | |

NUMERICAL PART NO. LIST

| Part No. | Description | Refer. No. | Q'ty/Unit | | | | Remarks |
|--------------|----------------------|------------|-----------|--------|-------|--------|---------|
| | | | YMI55 | YMI55D | YMI35 | YMI35D | |
| 24761-010000 | GREASE NIPPLE A-M6F | 31- 12 | | 1 | | | |
| 24761-010000 | GREASE NIPPLE A-M6F | 32- 3 | | | 1 | | |
| 24761-010000 | GREASE NIPPLE A-M6F | 32- 12 | | | | 1 | |
| 24761-010000 | GREASE NIPPLE A-M6F | 33- 3 | | | 1 | | |
| 24761-010000 | GREASE NIPPLE A-M6F | 33- 12 | | | | 1 | |
| 24761-010000 | GREASE NIPPLE A-M6F | 47- 30 | 2 | 2 | | | |
| 24761-010000 | GREASE NIPPLE A-M6F | 48- 30 | 2 | 2 | | | |
| 24761-010000 | GREASE NIPPLE A-M6F | 49- 30 | | | 2 | 2 | |
| 24761-060000 | GREASE NIPPLE MT6x1 | 23- 12 | 1 | | | | |
| 24761-060000 | GREASE NIPPLE MT6x1 | 23- 16 | 1 | | | | |
| 24761-060000 | GREASE NIPPLE MT6x1 | 23- 32 | 3 | | | | |
| 24761-060000 | GREASE NIPPLE MT6x1 | 24- 12 | | 1 | | | |
| 24761-060000 | GREASE NIPPLE MT6x1 | 24- 16 | | 1 | | | |
| 24761-060000 | GREASE NIPPLE MT6x1 | 24- 32 | | | 3 | | |
| 24761-060000 | GREASE NIPPLE MT6x1 | 25- 55 | | 1 | | | |
| 24761-060000 | GREASE NIPPLE MT6x1 | 25- 59 | | 1 | | | |
| 24761-060000 | GREASE NIPPLE MT6x1 | 26- 55 | | | 1 | | |
| 24761-060000 | GREASE NIPPLE MT6x1 | 26- 59 | | | 1 | | |
| 24761-060000 | GREASE NIPPLE MT6x1 | 28- 46 | 2 | | | | |
| 24761-060000 | GREASE NIPPLE MT6x1 | 28- 50 | 2 | | | | |
| 24761-060000 | GREASE NIPPLE MT6x1 | 29- 42 | | | | 2 | |
| 24761-060000 | GREASE NIPPLE MT6x1 | 29- 46 | | 2 | | | |
| 24764-010000 | GREASE NIPPLE A-PT6F | 30- 3 | 1 | | | | |
| 24764-010000 | GREASE NIPPLE A-PT6F | 30- 12 | | 1 | | | |
| 24764-010000 | GREASE NIPPLE A-PT6F | 31- 3 | 1 | | | | |
| 24764-010000 | GREASE NIPPLE A-PT6F | 31- 12 | | 1 | | | |
| 24764-010000 | GREASE NIPPLE A-PT6F | 32- 3 | | 1 | | | |
| 24764-010000 | GREASE NIPPLE A-PT6F | 32- 12 | | | 1 | | |
| 24764-010000 | GREASE NIPPLE A-PT6F | 33- 3 | | 1 | | | |
| 24764-010000 | GREASE NIPPLE A-PT6F | 33- 12 | | | 1 | | |
| 24764-010000 | GREASE NIPPLE A-M6F | 47- 30 | 2 | 2 | | | |
| 24764-010000 | GREASE NIPPLE A-M6F | 48- 30 | 2 | 2 | | | |
| 24764-010000 | GREASE NIPPLE A-M6F | 49- 30 | | | 2 | 2 | |
| 24764-010000 | GREASE NIPPLE A-M6F | 94- 18 | 2 | 2 | | | |
| 24764-010000 | GREASE NIPPLE A-M6F | 94- 18 | 1 | 1 | | | |
| 24764-010000 | GREASE NIPPLE A-M6F | 95- 18 | | 2 | 2 | | |
| 24764-010000 | GREASE NIPPLE A-M6F | 95- 18 | | 1 | 1 | | |
| 26013-060122 | BOLT M6 x 12 | 63- 78 | 1 | 1 | | | |
| 26013-060122 | BOLT M6 x 12 | 63- 86 | 2 | 2 | | | |
| 26013-060122 | BOLT M6 x 12 | 74- 72 | 1 | 1 | | | |
| 26013-060122 | BOLT M6 x 12 | 78- 72 | | 1 | 1 | | |
| 26013-060123 | BOLT M6 x 12 | 61- 16 | 4 | 4 | | | |
| 26013-060123 | BOLT M6 x 12 | 61- 33 | 2 | 2 | | | |
| 26013-060123 | BOLT M6 x 12 | 65- 16 | | 4 | 4 | | |
| 26013-060123 | BOLT M6 x 12 | 65- 51 | | 2 | 2 | | |

- 51 -

NUMERICAL PART NO. LIST

| Part No. | Description | Refer. No. | Q'ty/Unit | | | | Remarks |
|--------------|--------------|------------|-----------|--------|-------|--------|---------|
| | | | YMI55 | YMI55D | YMI35 | YMI35D | |
| 26013-060129 | BOLT M6 x 10 | 27- 11 | | 4 | | 4 | |
| 26013-060129 | BOLT M6 x 12 | 61- 16 | 4 | 4 | | | |
| 26013-060129 | BOLT M6 x 12 | 61- 33 | 2 | 2 | | | |
| 26013-060129 | BOLT M6 x 12 | 62- 55 | 2 | 2 | | | |
| 26013-060129 | BOLT M6 x 12 | 64- 56 | 2 | 2 | | | |
| 26013-060129 | BOLT M6 x 12 | 65- 16 | | | 4 | 4 | |
| 26013-060129 | BOLT M6 x 12 | 65- 51 | | | 2 | 2 | |
| 26013-060129 | BOLT M6 x 12 | 66- 44 | | | 2 | 2 | |
| 26013-060129 | BOLT M6 x 12 | 86- 3 | 2 | 2 | | | |
| 26013-060149 | BOLT M6 x 14 | 39- 37 | 2 | 2 | | | |
| 26013-060149 | BOLT M6 x 14 | 39- 51 | | 2 | | | |
| 26013-060149 | BOLT M6 x 14 | 39- 65 | 2 | 2 | | | |
| 26013-060149 | BOLT M6 x 14 | 40- 37 | | | 2 | 2 | |
| 26013-060149 | BOLT M6 x 14 | 40- 51 | | | 2 | 2 | |
| 26013-060149 | BOLT M6 x 14 | 40- 65 | | | 2 | 2 | |
| 26013-060162 | BOLT M6 x 16 | 74- 52 | 4 | 4 | | | |
| 26013-060162 | BOLT M6 x 16 | 75- 33 | 4 | 4 | | | |
| 26013-060162 | BOLT M6 x 16 | 76- 63 | 4 | 4 | | | |
| 26013-060162 | BOLT M6 x 16 | 76- 75 | 1 | 1 | | | |
| 26013-060162 | BOLT M6 x 16 | 78- 52 | | | 4 | 4 | |
| 26013-060182 | BOLT M6 x 18 | 60- 17 | 3 | 3 | 3 | 3 | |
| 26013-060452 | BOLT M6 x 45 | 60- 3 | 3 | 3 | 3 | 3 | |
| 26013-060452 | BOLT M6 x 45 | 60- 8 | 4 | 4 | 4 | 4 | |
| 26013-080122 | BOLT M8 x 12 | 21- 18 | 2 | 2 | | | |
| 26013-080122 | BOLT M8 x 12 | 22- 18 | | | 2 | 2 | |
| 26013-080162 | BOLT M8 x 16 | 21- 20 | 2 | 2 | | | |
| 26013-080162 | BOLT M8 x 16 | 22- 20 | | | 2 | 2 | |
| 26013-080162 | BOLT M8 x 16 | 30- 29 | 6 | 6 | | | |
| 26013-080162 | BOLT M8 x 20 | 30- 30 | 1 | 1 | | | |
| 26013-080162 | BOLT M8 x 16 | 31- 29 | 6 | 6 | | | |
| 26013-080162 | BOLT M8 x 20 | 31- 30 | 1 | 1 | | | |
| 26013-080162 | BOLT M8 x 16 | 32- 29 | | | 6 | 6 | |
| 26013-080162 | BOLT M8 x 20 | 32- 30 | | | 1 | 1 | |
| 26013-080162 | BOLT M8 x 16 | 33- 29 | | | 6 | 6 | |
| 26013-080162 | BOLT M8 x 20 | 33- 30 | | | 1 | 1 | |
| 26013-080162 | BOLT M8 x 16 | 34- 22 | 8 | 8 | 8 | 8 | |
| 26013-080162 | BOLT M8 x 16 | 35- 22 | 8 | 8 | | | |
| 26013-080162 | BOLT M8 x 16 | 73- 18 | 10 | 10 | | | |
| 26013-080162 | BOLT M8 x 16 | 73- 21 | 4 | 4 | | | |
| 26013-080162 | BOLT M8 x 16 | 74- 18 | 10 | 10 | | | |
| 26013-080162 | BOLT M8 x 16 | 74- 21 | 4 | 4 | | | |
| 26013-080162 | BOLT M8 x 16 | 75- 9 | 10 | 10 | | | |
| 26013-080162 | BOLT M8 x 16 | 75- 12 | 4 | 4 | | | |
| 26013-080162 | BOLT M8 x 16 | 76- 18 | 10 | 10 | | | |
| 26013-080162 | BOLT M8 x 16 | 76- 21 | 4 | 4 | | | |

NUMERICAL PART NO. LIST

| Part No. | Description | Refer. No. | Q'ty/Unit | | | | Remarks |
|--------------|---------------|------------|-----------|--------|-------|--------|---------|
| | | | YMI55 | YMI55D | YMI35 | YMI35D | |
| 26013-080162 | BOLT M8 x 16 | 76- 48 | 2 | 2 | | | |
| 26013-080162 | BOLT M8 x 16 | 77- 18 | | | 8 | 8 | |
| 26013-080162 | BOLT M8 x 16 | 77- 21 | | | 4 | 4 | |
| 26013-080162 | BOLT M8 x 16 | 78- 18 | | | 8 | 8 | |
| 26013-080162 | BOLT M8 x 16 | 78- 21 | | | 4 | 4 | |
| 26013-080202 | BOLT M8 x 20 | 27- 87 | | | 4 | 4 | |
| 26013-080202 | BOLT M8 x 20 | 30- 40 | 6 | 6 | | | |
| 26013-080202 | BOLT M8 x 20 | 31- 40 | 6 | 6 | | | |
| 26013-080202 | BOLT M8 x 20 | 32- 40 | | | 6 | 6 | |
| 26013-080202 | BOLT M8 x 20 | 33- 40 | | | 6 | 6 | |
| 26013-080202 | BOLT M8 x 20 | 58- 57 | 2 | 2 | 2 | 2 | |
| 26013-080202 | BOLT M8 x 20 | 59- 41 | 2 | 2 | 2 | 2 | |
| 26013-080202 | BOLT M8 x 20 | 73- 31 | 2 | 2 | | | |
| 26013-080202 | BOLT M8 x 20 | 74- 31 | 2 | 2 | | | |
| 26013-080202 | BOLT M8 x 20 | 75- 21 | 2 | 2 | | | |
| 26013-080202 | BOLT M8 x 20 | 76- 31 | 2 | 2 | | | |
| 26013-080222 | BOLT M8 x 22 | 25- 46 | | 8 | | | |
| 26013-080222 | BOLT M8 x 22 | 26- 46 | | | | 8 | |
| 26013-080252 | BOLT M8 x 25 | 25- 29 | | 11 | | | |
| 26013-080252 | BOLT M8 x 25 | 26- 29 | | | | 11 | |
| 26013-080252 | BOLT M8 x 25 | 34- 41 | 6 | 6 | 6 | 6 | |
| 26013-080252 | BOLT M8 x 25 | 35- 41 | 6 | 6 | | | |
| 26013-080252 | BOLT M8 x 25 | 44- 3 | 3 | 3 | | | |
| 26013-080252 | BOLT M8 x 25 | 45- 3 | 3 | 3 | | | |
| 26013-080302 | BOLT M8 x 30 | 25- 19 | | | 3 | | |
| 26013-080302 | BOLT M8 x 30 | 26- 19 | | | | 3 | |
| 26013-080452 | BOLT M8 x 45 | 60- 23 | 4 | 4 | 4 | 4 | |
| 26013-100202 | BOLT M10 x 20 | 73- 26 | 4 | 4 | | | |
| 26013-100202 | BOLT M10 x 20 | 73- 44 | 3 | 3 | | | |
| 26013-100202 | BOLT M10 x 20 | 74- 26 | 4 | 4 | | | |
| 26013-100202 | BOLT M10 x 20 | 74- 43 | 3 | 3 | | | |
| 26013-100202 | BOLT M10 x 20 | 75- 16 | 4 | 4 | | | |
| 26013-100202 | BOLT M10 x 20 | 75- 31 | 3 | 3 | | | |
| 26013-100202 | BOLT M10 x 20 | 76- 26 | 4 | 4 | | | |
| 26013-100202 | BOLT M10 x 20 | 76- 43 | 3 | 3 | | | |
| 26013-100252 | BOLT M10 x 25 | 73- 27 | 1 | 1 | | | |
| 26013-100252 | BOLT M10 x 25 | 74- 27 | 1 | 1 | | | |
| 26013-100252 | BOLT M10 x 25 | 75- 17 | 1 | 1 | | | |
| 26013-100252 | BOLT M10 x 25 | 76- 27 | 1 | 1 | | | |
| 26013-100282 | BOLT M10 x 28 | 25- 27 | | 6 | | | |
| 26013-100282 | BOLT M10 x 28 | 25- 42 | | 8 | | | |
| 26013-100282 | BOLT M10 x 28 | 25- 67 | | 4 | | | |
| 26013-100282 | BOLT M10 x 28 | 26- 27 | | | | 6 | |
| 26013-100282 | BOLT M10 x 28 | 26- 42 | | | | 8 | |
| 26013-100282 | BOLT M10 x 28 | 26- 67 | | | | 4 | |

- 52 -

NUMERICAL PART NO. LIST

| Part No. | Description | Refer. No. | Q'ty/Unit | | | | Remarks |
|--------------|---------------|------------|-----------|--------|-------|--------|---------|
| | | | YMI55 | YMI55D | YMI35 | YMI35D | |
| 26013-100302 | BOLT M10 x 30 | 28- 36 | 2 | 2 | | | |
| 26013-100352 | BOLT M10 x 35 | 58- 4 | 10 | 10 | 10 | 10 | |
| 26013-100402 | BOLT M10 x 40 | 28- 37 | 2 | 2 | | | |
| 26013-100452 | BOLT M10 x 45 | 58- 54 | 2 | 2 | 2 | 2 | |
| 26013-120202 | BOLT M12 x 20 | 34- 52 | 4 | 4 | 4 | 4 | |
| 26013-120202 | BOLT M12 x 20 | 35- 25 | 4 | 4 | | | |
| 26013-120252 | BOLT M12 x 25 | 50- 6 | | 8 | | | |
| 26013-120252 | BOLT M12 x 25 | 50- 28 | | 12 | | | |
| 26013-120252 | BOLT M12 x 25 | 51- 11 | | | 8 | | |
| 26013-120252 | BOLT M12 x 25 | 51- 25 | | | 12 | | |
| 26013-120252 | BOLT M12 x 25 | 52- 6 | | 8 | | | |
| 26013-120252 | BOLT M12 x 25 | 53- 11 | | | 8 | | |
| 26013-120252 | BOLT M12 x 25 | 54- 6 | | | | 8 | |
| 26013-120252 | BOLT M12 x 25 | 55- 11 | | | | | 8 |
| 26013-120252 | BOLT M12 x 25 | 56- 6 | | | | 8 | |
| 26013-120252 | BOLT M12 x 25 | 56- 28 | | | | 12 | |
| 26013-120252 | BOLT M12 x 25 | 57- 11 | | | | | 8 |
| 26013-120252 | BOLT M12 x 25 | 73- 41 | 2 | 2 | | | |
| 26013-120252 | BOLT M12 x 25 | 74- 41 | 2 | 2 | | | |
| 26013-120252 | BOLT M12 x 25 | 75- 30 | 2 | 2 | | | |
| 26013-120252 | BOLT M12 x 25 | 76- 41 | 2 | 2 | | | |
| 26013-120302 | BOLT M12 x 30 | 23- 2 | | 8 | | | |
| 26013-120302 | BOLT M12 x 30 | 25- 2 | | | 8 | | |
| 26013-120352 | BOLT M12 x 35 | 52- 28 | | 12 | | | |
| 26013-120352 | BOLT M12 x 35 | 53- 25 | | | 12 | | |
| 26013-120352 | BOLT M12 x 35 | 57- 25 | | | | | 12 |
| 26013-120352 | BOLT M12 x 35 | 58- 31 | 4 | 4 | 4 | 4 | |
| 26013-120452 | BOLT M12 x 45 | 34- 50 | 4 | 4 | 4 | 4 | |
| 26013-120452 | BOLT M12 x 45 | 35- 21 | 4 | 4 | | | |
| 26097-060123 | BOLT M6 x 12 | 61- 16 | 4 | 4 | | | |
| 26097-060123 | BOLT M6 x 12 | 61- 33 | 2 | 2 | | | |
| 26097-060123 | BOLT M6 x 12 | 62- 55 | 2 | 2 | | | |
| 26097-060123 | BOLT M6 x 12 | 65- 16 | | | | 4 | 4 |
| 26097-060123 | BOLT M6 x 12 | 65- 51 | | | | 2 | 2 |
| 26097-060123 | BOLT M6 x 12 | 66- 44 | | | | 2 | 2 |
| 26106-080202 | BOLT M8 x 20 | 34- 32 | 4 | 4 | 4 | 4 | |
| 26106-080202 | BOLT M8 x 20 | 34- 37 | 10 | 10 | 10 | 10 | |
| 26106-080202 | BOLT M8 x 20 | 35- 32 | 4 | 4 | | | |
| 26106-080202 | BOLT M8 x 20 | 35- 37 | 10 | 10 | | | |
| 26106-080252 | BOLT M8 x 25 | 34- 58 | 1 | 1 | | | |
| 26106-080252 | BOLT M8 x 25 | 35- 49 | 1 | 1 | | | |
| 26116-050162 | BOLT M5 x 16 | 61- 27 | 1 | 1 | | | |
| 26116-050162 | BOLT M5 x 16 | 62- 21 | 1 | 1 | | | |
| 26116-050162 | BOLT M5 x 16 | 63- 69 | 2 | 2 | | | |
| 26116-050162 | BOLT M5 x 16 | 63- 89 | 1 | 1 | | | |

NUMERICAL PART NO. LIST

| Part No. | Description | Refer. No. | Q'ty/Unit | | | | Remarks |
|--------------|--------------|------------|-----------|--------|-------|--------|---------|
| | | | YMI55 | YMI55D | YMI35 | YMI35D | |
| 26116-050162 | BOLT M5 x 16 | 64- 59 | 1 | 1 | | | |
| 26116-050162 | BOLT M5 x 16 | 65- 27 | | | 1 | 1 | |
| 26116-050162 | BOLT M5 x 16 | 66- 22 | | | 1 | 1 | |
| 26116-060102 | BOLT M6 x 10 | 27- 11 | | 4 | | | |
| 26116-060102 | BOLT M6 x 10 | 30- 32 | 2 | 1 | | | |
| 26116-060102 | BOLT M6 x 10 | 30- 32 | 1 | | | | |
| 26116-060102 | BOLT M6 x 10 | 31- 32 | 2 | 1 | | | |
| 26116-060102 | BOLT M6 x 10 | 31- 32 | 1 | | | | |
| 26116-060102 | BOLT M6 x 10 | 32- 32 | | | 2 | 1 | |
| 26116-060102 | BOLT M6 x 10 | 32- 32 | | | 1 | | |
| 26116-060102 | BOLT M6 x 10 | 33- 32 | | | 2 | 1 | |
| 26116-060102 | BOLT M6 x 10 | 33- 32 | | | 1 | | |
| 26116-060122 | BOLT M6 x 12 | 19- 31 | 1 | 1 | | | |
| 26116-060122 | BOLT M6 x 12 | 63- 79 | 1 | 1 | | | |
| 26116-060122 | BOLT M6 x 12 | 74- 73 | 1 | 1 | | | |
| 26116-060122 | BOLT M6 x 12 | 78- 73 | | | 1 | 1 | |
| 26116-060142 | BOLT M6 x 14 | 39- 37 | 2 | 2 | | | |
| 26116-060142 | BOLT M6 x 14 | 39- 51 | | 2 | | | |
| 26116-060142 | BOLT M6 x 14 | 39- 65 | 2 | 2 | | | |
| 26116-060142 | BOLT M6 x 14 | 40- 37 | | | 2 | 2 | |
| 26116-060142 | BOLT M6 x 14 | 40- 51 | | | | 2 | |
| 26116-060142 | BOLT M6 x 14 | 40- 65 | | | 2 | 2 | |
| 26116-060162 | BOLT M6 x 16 | 27- 20 | | 4 | | 4 | |
| 26116-060162 | BOLT M6 x 16 | 74- 52 | 4 | 4 | | | |
| 26116-060162 | BOLT M6 x 16 | 76- 76 | 1 | 1 | | | |
| 26116-060162 | BOLT M6 x 16 | 78- 52 | | | 4 | 4 | |
| 26116-060182 | BOLT M6 x 18 | 58- 64 | 2 | 2 | 2 | 2 | |
| 26116-060182 | BOLT M6 x 18 | 60- 17 | 3 | 3 | 3 | 3 | |
| 26116-060202 | BOLT M6 x 20 | 62- 49 | 3 | 3 | | | |
| 26116-060452 | BOLT M6 x 45 | 60- 3 | 3 | 3 | 3 | 3 | |
| 26116-060452 | BOLT M6 x 45 | 60- 8 | 4 | 4 | 4 | 4 | |
| 26116-080102 | BOLT M8 x 10 | 27- 18 | | | 1 | 1 | |
| 26116-080122 | BOLT M8 x 12 | 21- 18 | 2 | 2 | | | |
| 26116-080122 | BOLT M8 x 12 | 22- 18 | | | 2 | 2 | |
| 26116-080162 | BOLT M8 x 16 | 21- 20 | 4 | 4 | | | |
| 26116-080162 | BOLT M8 x 16 | 22- 20 | | | 4 | 4 | |
| 26116-080162 | BOLT M8 x 16 | 27- 23 | | 4 | | 4 | |
| 26116-080162 | BOLT M8 x 16 | 27- 23 | | 4 | | 4 | |
| 26116-080162 | BOLT M8 x 16 | 27- 35 | | 1 | | 1 | |
| 26116-080162 | BOLT M8 x 16 | 30- 29 | 6 | 6 | | | |
| 26116-080162 | BOLT M8 x 16 | 31- 29 | 6 | 6 | | | |
| 26116-080162 | BOLT M8 x 16 | 32- 29 | | | 6 | 6 | |
| 26116-080162 | BOLT M8 x 16 | 33- 29 | | | 6 | 6 | |
| 26116-080162 | BOLT M8 x 16 | 34- 22 | 8 | 8 | 8 | 8 | |
| 26116-080162 | BOLT M8 x 16 | 41- 62 | 4 | 4 | | | |

- 53 -

NUMERICAL PART NO. LIST

| Part No. | Description | Refer. No. | Q'ty/Unit | | | | Remarks |
|--------------|--------------|------------|-----------|--------|-------|--------|---------|
| | | | YMI55 | YMI55D | YMI35 | YMI35D | |
| 26116-080162 | BOLT M8 x 16 | 47- 16 | 2 | 2 | | | |
| 26116-080162 | BOLT M8 x 16 | 49- 16 | | | 2 | 2 | |
| 26116-080162 | BOLT M8 x 16 | 73- 18 | 10 | 10 | | | |
| 26116-080162 | BOLT M8 x 16 | 73- 21 | 4 | 4 | | | |
| 26116-080162 | BOLT M8 x 16 | 74- 18 | 10 | 10 | | | |
| 26116-080162 | BOLT M8 x 16 | 74- 21 | 4 | 4 | | | |
| 26116-080162 | BOLT M8 x 16 | 76- 18 | 10 | 10 | | | |
| 26116-080162 | BOLT M8 x 16 | 76- 21 | 4 | 4 | | | |
| 26116-080162 | BOLT M8 x 16 | 76- 64 | 2 | 2 | | | |
| 26116-080162 | BOLT M8 x 16 | 77- 18 | | | 8 | 8 | |
| 26116-080162 | BOLT M8 x 16 | 77- 21 | | | 4 | 4 | |
| 26116-080162 | BOLT M8 x 16 | 78- 18 | | | 8 | 8 | |
| 26116-080162 | BOLT M8 x 16 | 78- 21 | | | 4 | 4 | |
| 26116-080162 | BOLT M8 x 16 | 94- 27 | 5 | 5 | | | |
| 26116-080169 | BOLT M8 x 16 | 43- 62 | | | 4 | 4 | |
| 26116-080186 | BOLT M8 x 18 | 27- 49 | | | 8 | 8 | |
| 26116-080186 | BOLT M8 x 28 | 41- 14 | 8 | 8 | | | |
| 26116-080186 | BOLT M8 x 28 | 43- 14 | | | 8 | 8 | |
| 26116-080202 | BOLT M8 x 20 | 21- 18 | 2 | 2 | | | |
| 26116-080202 | BOLT M8 x 20 | 21- 31 | 2 | 2 | | | |
| 26116-080202 | BOLT M8 x 20 | 22- 18 | | | 2 | 2 | |
| 26116-080202 | BOLT M8 x 20 | 22- 29 | | | 1 | 1 | |
| 26116-080202 | BOLT M8 x 20 | 27- 87 | | | 4 | 4 | |
| 26116-080202 | BOLT M8 x 20 | 30- 30 | 1 | 1 | | | |
| 26116-080202 | BOLT M8 x 20 | 30- 40 | 6 | 6 | | | |
| 26116-080202 | BOLT M8 x 20 | 30- 59 | 1 | 1 | | | |
| 26116-080202 | BOLT M8 x 20 | 31- 30 | 1 | 1 | | | |
| 26116-080202 | BOLT M8 x 20 | 31- 40 | 6 | 6 | | | |
| 26116-080202 | BOLT M8 x 20 | 31- 59 | 1 | 1 | | | |
| 26116-080202 | BOLT M8 x 20 | 32- 30 | | | 1 | 1 | |
| 26116-080202 | BOLT M8 x 20 | 32- 40 | | | 6 | 6 | |
| 26116-080202 | BOLT M8 x 20 | 32- 59 | | | 1 | 1 | |
| 26116-080202 | BOLT M8 x 20 | 33- 30 | | | 1 | 1 | |
| 26116-080202 | BOLT M8 x 20 | 33- 40 | | | 6 | 6 | |
| 26116-080202 | BOLT M8 x 20 | 33- 59 | | | 1 | 1 | |
| 26116-080202 | BOLT M8 x 20 | 34- 32 | 4 | 4 | 4 | 4 | |
| 26116-080202 | BOLT M8 x 20 | 34- 37 | 10 | 10 | 10 | 10 | |
| 26116-080202 | BOLT M8 x 20 | 34- 44 | 1 | 1 | 1 | 1 | |
| 26116-080202 | BOLT M8 x 20 | 35- 44 | 1 | 1 | | | |
| 26116-080202 | BOLT M8 x 20 | 41- 47 | 3 | 3 | | | |
| 26116-080202 | BOLT M8 x 20 | 43- 47 | | | 3 | 3 | |
| 26116-080202 | BOLT M8 x 20 | 58- 57 | 2 | 2 | 2 | 2 | |
| 26116-080202 | BOLT M8 x 20 | 59- 41 | 2 | 2 | 2 | 2 | |
| 26116-080202 | BOLT M8 x 20 | 67- 39 | 3 | 3 | | | |
| 26116-080202 | BOLT M8 x 20 | 68- 12 | 3 | 3 | | | |

NUMERICAL PART NO. LIST

| Part No. | Description | Refer. No. | Q'ty/Unit | | | | Remarks |
|--------------|--------------|------------|-----------|--------|-------|--------|---------|
| | | | YMI55 | YMI55D | YMI35 | YMI35D | |
| 26116-080202 | BOLT M8 x 20 | 70- 12 | 3 | 3 | | | |
| 26116-080202 | BOLT M8 x 20 | 73- 17 | 2 | 2 | | | |
| 26116-080202 | BOLT M8 x 20 | 73- 31 | 2 | 2 | | | |
| 26116-080202 | BOLT M8 x 20 | 73- 57 | 2 | 2 | | | |
| 26116-080202 | BOLT M8 x 20 | 74- 17 | 2 | 2 | | | |
| 26116-080202 | BOLT M8 x 20 | 74- 31 | 2 | 2 | | | |
| 26116-080202 | BOLT M8 x 20 | 74- 63 | 2 | 2 | | | |
| 26116-080202 | BOLT M8 x 20 | 75- 8 | 2 | 2 | | | |
| 26116-080202 | BOLT M8 x 20 | 75- 40 | 2 | 2 | | | |
| 26116-080202 | BOLT M8 x 20 | 76- 17 | 2 | 2 | | | |
| 26116-080202 | BOLT M8 x 20 | 76- 31 | 2 | 2 | | | |
| 26116-080202 | BOLT M8 x 20 | 76- 77 | 2 | 2 | | | |
| 26116-080202 | BOLT M8 x 20 | 77- 17 | | | 2 | 2 | |
| 26116-080202 | BOLT M8 x 20 | 77- 31 | | | 2 | 2 | |
| 26116-080202 | BOLT M8 x 20 | 77- 58 | | | 2 | 2 | |
| 26116-080202 | BOLT M8 x 20 | 78- 17 | | | 2 | 2 | |
| 26116-080202 | BOLT M8 x 20 | 78- 31 | | | 2 | 2 | |
| 26116-080202 | BOLT M8 x 20 | 78- 64 | | | 2 | 2 | |
| 26116-080202 | BOLT M8 x 20 | 85- 3 | 1 | 1 | 1 | 1 | |
| 26116-080202 | BOLT M8 x 20 | 87- 4 | 1 | 1 | | | |
| 26116-080222 | BOLT M8 x 22 | 25- 29 | | 11 | | | |
| 26116-080222 | BOLT M8 x 22 | 25- 46 | | 8 | | | |
| 26116-080222 | BOLT M8 x 22 | 26- 29 | | | 11 | | |
| 26116-080222 | BOLT M8 x 22 | 26- 46 | | | 8 | | |
| 26116-080222 | BOLT M8 x 22 | 28- 4 | 8 | 8 | | | |
| 26116-080222 | BOLT M8 x 22 | 28- 4 | 7 | 7 | | | |
| 26116-080222 | BOLT M8 x 22 | 29- 4 | | | 7 | 7 | |
| 26116-080226 | BOLT M8 x 22 | 58- 8 | 3 | 3 | 3 | 3 | |
| 26116-080252 | BOLT M8 x 25 | 25- 29 | | 11 | | | |
| 26116-080252 | BOLT M8 x 25 | 26- 29 | | | 11 | | |
| 26116-080252 | BOLT M8 x 25 | 34- 41 | 7 | 7 | 7 | 7 | |
| 26116-080252 | BOLT M8 x 25 | 41- 23 | 4 | 4 | | | |
| 26116-080252 | BOLT M8 x 25 | 42- 23 | 4 | 4 | | | |
| 26116-080252 | BOLT M8 x 25 | 43- 23 | | | 4 | 4 | |
| 26116-080252 | BOLT M8 x 25 | 44- 3 | 3 | 3 | | | |
| 26116-080252 | BOLT M8 x 25 | 46- 3 | | | 3 | 3 | |
| 26116-080252 | BOLT M8 x 25 | 67- 40 | 1 | 1 | | | |
| 26116-080252 | BOLT M8 x 25 | 67- 40 | 4 | 4 | | | |
| 26116-080252 | BOLT M8 x 25 | 68- 13 | 1 | 1 | | | |
| 26116-080252 | BOLT M8 x 25 | 68- 13 | 4 | 4 | | | |
| 26116-080252 | BOLT M8 x 25 | 69- 10 | 4 | 4 | | | |
| 26116-080252 | BOLT M8 x 25 | 70- 13 | 1 | 1 | | | |
| 26116-080252 | BOLT M8 x 25 | 70- 13 | 4 | 4 | | | |
| 26116-080302 | BOLT M8 x 30 | 25- 19 | | 3 | | | |
| 26116-080302 | BOLT M8 x 30 | 26- 19 | | | 3 | | |

- 54 -

NUMERICAL PART NO. LIST

| Part No. | Description | Refer. No. | Q'ty/Unit | | | | Remarks |
|--------------|---------------|------------|-----------|--------|-------|--------|---------|
| | | | YMI55 | YMI55D | YMI35 | YMI35D | |
| 26116-080302 | BOLT M8 x 30 | 73- 49 | 2 | 2 | | | |
| 26116-080302 | BOLT M8 x 30 | 75- 22 | 2 | 2 | | | |
| 26116-080302 | BOLT M8 x 30 | 76- 33 | 2 | 2 | | | |
| 26116-080302 | BOLT M8 x 30 | 77- 49 | | | 2 | 2 | |
| 26116-080302 | BOLT M8 x 30 | 78- 33 | | | 2 | 2 | |
| 26116-080452 | BOLT M8 x 45 | 60- 23 | 4 | 4 | 4 | 4 | |
| 26116-100162 | BOLT M10 x 16 | 47- 16 | 2 | 2 | | | |
| 26116-100162 | BOLT M10 x 16 | 48- 16 | 2 | 2 | | | |
| 26116-100202 | BOLT M10 x 20 | 73- 26 | 4 | 4 | | | |
| 26116-100202 | BOLT M10 x 20 | 73- 44 | 3 | 3 | | | |
| 26116-100202 | BOLT M10 x 20 | 74- 26 | 4 | 4 | | | |
| 26116-100202 | BOLT M10 x 20 | 74- 43 | 3 | 3 | | | |
| 26116-100202 | BOLT M10 x 20 | 76- 26 | 4 | 4 | | | |
| 26116-100202 | BOLT M10 x 20 | 76- 43 | 3 | 3 | | | |
| 26116-100202 | BOLT M10 x 20 | 77- 26 | | | 4 | 4 | |
| 26116-100202 | BOLT M10 x 20 | 77- 44 | | | 3 | 3 | |
| 26116-100202 | BOLT M10 x 20 | 78- 26 | | | 4 | 4 | |
| 26116-100202 | BOLT M10 x 20 | 78- 43 | | | 3 | 3 | |
| 26116-100202 | BOLT M10 x 20 | 93- 6 | | | 12 | 12 | |
| 26116-100202 | BOLT M10 x 20 | 93- 21 | | | 12 | 12 | |
| 26116-100202 | BOLT M10 x 20 | 94- 33 | 2 | 2 | | | |
| 26116-100222 | BOLT M10 x 22 | 25- 42 | | 8 | | | |
| 26116-100222 | BOLT M10 x 22 | 26- 42 | | | 8 | | |
| 26116-100252 | BOLT M10 x 25 | 73- 27 | 1 | 1 | | | |
| 26116-100252 | BOLT M10 x 25 | 74- 27 | 1 | 1 | | | |
| 26116-100252 | BOLT M10 x 25 | 76- 27 | 1 | 1 | | | |
| 26116-100252 | BOLT M10 x 25 | 77- 27 | | | 1 | 1 | |
| 26116-100252 | BOLT M10 x 25 | 78- 27 | | | 1 | 1 | |
| 26116-100282 | BOLT M10 x 28 | 25- 27 | | 6 | | | |
| 26116-100282 | BOLT M10 x 28 | 25- 42 | | 8 | | | |
| 26116-100282 | BOLT M10 x 28 | 25- 67 | | 4 | | | |
| 26116-100282 | BOLT M10 x 28 | 26- 27 | | | 6 | | |
| 26116-100282 | BOLT M10 x 28 | 26- 42 | | | 8 | | |
| 26116-100282 | BOLT M10 x 28 | 26- 67 | | | 4 | | |
| 26116-100302 | BOLT M10 x 30 | 28- 36 | 2 | 2 | | | |
| 26116-100302 | BOLT M10 x 30 | 29- 33 | | | 2 | 2 | |
| 26116-100352 | BOLT M10 x 35 | 58- 4 | 10 | 10 | 10 | 10 | |
| 26116-100384 | BOLT M10 x 38 | 25- 50 | | 4 | | | |
| 26116-100384 | BOLT M10 x 38 | 26- 50 | | | 4 | | |
| 26116-100402 | BOLT M10 x 40 | 28- 37 | 2 | 2 | | | |
| 26116-100402 | BOLT M10 x 40 | 29- 34 | | | 2 | 2 | |
| 26116-100402 | BOLT M10 x 40 | 94- 32 | 4 | 4 | | | |
| 26116-100402 | BOLT M10 x 40 | 95- 25 | | | 4 | 4 | |
| 26116-100404 | BOLT M10 x 40 | 25- 75 | | 2 | | | |
| 26116-100404 | BOLT M10 x 40 | 26- 75 | | | 2 | | |

NUMERICAL PART NO. LIST

| Part No. | Description | Refer. No. | Q'ty/Unit | | | | Remarks |
|--------------|---------------|------------|-----------|--------|-------|--------|---------|
| | | | YMI55 | YMI55D | YMI35 | YMI35D | |
| 26116-100404 | BOLT M10 x 40 | 73- 28 | 1 | 1 | | | |
| 26116-100404 | BOLT M10 x 40 | 74- 28 | 1 | 1 | | | |
| 26116-100404 | BOLT M10 x 40 | 75- 18 | 1 | 1 | | | |
| 26116-100404 | BOLT M10 x 40 | 76- 28 | 1 | 1 | | | |
| 26116-100404 | BOLT M10 x 40 | 77- 28 | | | 1 | 1 | |
| 26116-100404 | BOLT M10 x 40 | 78- 28 | | | 1 | 1 | |
| 26116-100452 | BOLT M10 x 45 | 58- 54 | 2 | 2 | 2 | 2 | |
| 26116-100502 | BOLT M10 x 50 | 75- 37 | 1 | 1 | | | |
| 26116-100504 | BOLT M10 x 50 | 25- 75 | | 2 | | | |
| 26116-100602 | BOLT M10 x 60 | 41- 65 | 16 | 16 | | | |
| 26116-100602 | BOLT M10 x 60 | 41- 65 | 14 | 14 | | | |
| 26116-100602 | BOLT M10 x 60 | 42- 57 | 16 | 16 | | | |
| 26116-100602 | BOLT M10 x 60 | 42- 57 | 14 | 14 | | | |
| 26116-100602 | BOLT M10 x 60 | 43- 65 | | | 16 | 16 | |
| 26116-100602 | BOLT M10 x 60 | 43- 65 | | | 14 | 14 | |
| 26116-100652 | BOLT M10 x 65 | 41- 67 | 2 | 2 | | | |
| 26116-100652 | BOLT M10 x 65 | 42- 15 | 2 | 2 | | | |
| 26116-100652 | BOLT M10 x 65 | 43- 67 | | | 2 | 2 | |
| 26116-100652 | BOLT M10 x 65 | 73- 63 | 2 | 2 | | | |
| 26116-100652 | BOLT M10 x 65 | 74- 69 | 2 | 2 | | | |
| 26116-100652 | BOLT M10 x 65 | 76- 50 | 2 | 2 | | | |
| 26116-100652 | BOLT M10 x 65 | 77- 63 | | | 2 | 2 | |
| 26116-100652 | BOLT M10 x 65 | 78- 69 | | | 2 | 2 | |
| 26116-120202 | BOLT M12 x 20 | 34- 52 | 4 | 4 | 4 | 4 | |
| 26116-120252 | BOLT M12 x 25 | 50- 6 | 8 | | | | |
| 26116-120252 | BOLT M12 x 25 | 50- 28 | 12 | | | | |
| 26116-120252 | BOLT M12 x 25 | 51- 11 | | 8 | | | |
| 26116-120252 | BOLT M12 x 25 | 51- 25 | | 12 | | | |
| 26116-120252 | BOLT M12 x 25 | 52- 6 | 8 | | | | |
| 26116-120252 | BOLT M12 x 25 | 53- 11 | | 8 | | | |
| 26116-120252 | BOLT M12 x 25 | 54- 6 | | 8 | | | |
| 26116-120252 | BOLT M12 x 25 | 54- 28 | | 12 | | | |
| 26116-120252 | BOLT M12 x 25 | 55- 11 | | 8 | | | |
| 26116-120252 | BOLT M12 x 25 | 55- 25 | | 12 | | | |
| 26116-120252 | BOLT M12 x 25 | 56- 6 | | 8 | | | |
| 26116-120252 | BOLT M12 x 25 | 56- 28 | | 12 | | | |
| 26116-120252 | BOLT M12 x 25 | 57- 11 | | 8 | | | |
| 26116-120252 | BOLT M12 x 25 | 67- 36 | 2 | 2 | | | |
| 26116-120252 | BOLT M12 x 25 | 68- 9 | 2 | 2 | | | |
| 26116-120252 | BOLT M12 x 25 | 69- 7 | 2 | 2 | | | |
| 26116-120252 | BOLT M12 x 25 | 70- 9 | 2 | 2 | | | |
| 26116-120252 | BOLT M12 x 25 | 73- 41 | 2 | 2 | | | |
| 26116-120252 | BOLT M12 x 25 | 74- 41 | 2 | 2 | | | |
| 26116-120252 | BOLT M12 x 25 | 76- 41 | 2 | 2 | | | |
| 26116-120252 | BOLT M12 x 25 | 77- 41 | | 2 | 2 | | |

- 55 -

NUMERICAL PART NO. LIST

| Part No. | Description | Refer. No. | Q'ty/Unit | | | | Remarks |
|--------------|---------------|------------|-----------|--------|-------|--------|---------|
| | | | YMI55 | YMI55D | YMI35 | YMI35D | |
| 26116-120252 | BOLT M12 x 25 | 78- 41 | | | 2 | 2 | |
| 26116-120252 | BOLT M12 x 25 | 79- 5 | 2 | 2 | | | |
| 26116-120282 | BOLT M12 x 28 | 93- 12 | | | 8 | 8 | |
| 26116-120302 | BOLT M12 x 30 | 23- 2 | 8 | | | | |
| 26116-120302 | BOLT M12 x 30 | 24- 2 | | | 8 | | |
| 26116-120302 | BOLT M12 x 30 | 25- 2 | | | 8 | | |
| 26116-120302 | BOLT M12 x 30 | 26- 2 | | | | 8 | |
| 26116-120352 | BOLT M12 x 35 | 52- 28 | 12 | | | | |
| 26116-120352 | BOLT M12 x 35 | 53- 25 | | 12 | | | |
| 26116-120352 | BOLT M12 x 35 | 57- 25 | | | | 12 | |
| 26116-120352 | BOLT M12 x 35 | 58- 31 | 4 | 4 | 4 | 4 | |
| 26116-120352 | BOLT M12 x 35 | 71- 31 | | | 2 | 2 | |
| 26116-120352 | BOLT M12 x 35 | 72- 6 | | | 2 | 2 | |
| 26116-120352 | BOLT M12 x 35 | 79- 5 | 2 | 2 | | | |
| 26116-120352 | BOLT M12 x 35 | 80- 5 | 2 | 2 | | | |
| 26116-120452 | BOLT M12 x 45 | 34- 50 | 4 | 4 | 4 | 4 | |
| 26116-120602 | BOLT M12 x 60 | 41- 16 | 2 | 2 | | | |
| 26116-120602 | BOLT M12 x 60 | 42- 16 | 2 | 2 | | | |
| 26116-120602 | BOLT M12 x 60 | 43- 16 | | | 2 | 2 | |
| 26116-160652 | BOLT M16 x 65 | 89- 5 | 6 | 6 | 6 | 6 | |
| 26116-160702 | BOLT M16 x 70 | 80- 15 | 2 | 2 | | | |
| 26116-161002 | BOLT M16 x100 | 89- 8 | 6 | 6 | 6 | 6 | |
| 26117-080169 | BOLT M8 x 16 | 41- 62 | 4 | 4 | | | |
| 26117-080169 | BOLT M8 x 16 | 42- 59 | 4 | 4 | | | |
| 26117-080169 | BOLT M8 x 16 | 43- 62 | | | 4 | 4 | |
| 26206-080226 | BOLT M8 x 22 | 58- 8 | 3 | 3 | 3 | 3 | |
| 26216-080162 | STUD M8 x 16 | 41- 33 | 4 | 4 | | | |
| 26216-080162 | STUD M8 x 16 | 41- 37 | 4 | 4 | | | |
| 26216-080162 | STUD M8 x 16 | 42- 33 | 4 | 4 | | | |
| 26216-080162 | STUD M8 x 16 | 42- 37 | 4 | 4 | | | |
| 26216-080162 | STUD M8 x 16 | 43- 33 | | | 4 | 4 | |
| 26216-080162 | STUD M8 x 16 | 43- 37 | | | 4 | 4 | |
| 26226-100322 | STUD M10 x 32 | 34- 15 | 7 | 7 | 7 | 7 | |
| 26226-100322 | STUD M10 x 32 | 35- 15 | 7 | 7 | | | |
| 26226-100502 | STUD M10 x 50 | 34- 16 | 1 | 1 | 1 | 1 | |
| 26226-100502 | STUD M10 x 50 | 35- 16 | 1 | 1 | | | |
| 26226-140322 | STUD M14 x 32 | 34- 17 | 4 | 4 | 1 | 1 | |
| 26226-140322 | STUD M14 x 32 | 35- 17 | 4 | 4 | | | |
| 26337-060002 | NUT M6, wing | 61- 8 | 2 | 2 | | | |
| 26337-060002 | NUT M6, wing | 62- 8 | 2 | 2 | | | |
| 26337-060002 | NUT M6, wing | 65- 8 | | | 2 | 2 | |
| 26337-060002 | NUT M6, wing | 66- 8 | | | 2 | 2 | |
| 26346-080002 | U-NUT M8 | 22- 24 | | | 2 | 2 | |
| 26346-080002 | U-NUT M8 | 30- 60 | 1 | 1 | | | |
| 26346-080002 | U-NUT M8 | 31- 60 | 1 | 1 | | | |

NUMERICAL PART NO. LIST

NUMERICAL PART NO. LIST

| Part No. | Description | Refer. No. | Qty/Unit | | | | Remarks |
|--------------|---------------|------------|----------|--------|-------|--------|---------|
| | | | YMI55 | YMI55D | YMI35 | YMI35D | |
| 26346-080002 | U-NUT M8 | 32- 60 | | | 1 | 1 | |
| 26346-080002 | U-NUT M8 | 33- 60 | | | 1 | 1 | |
| 26346-080002 | U-NUT M8 | 73- 50 | 2 | 2 | | | |
| 26346-080002 | U-NUT M8 | 74- 64 | 2 | 2 | | | |
| 26346-080002 | U-NUT M8 | 75- 41 | 2 | 2 | | | |
| 26346-080002 | U-NUT M8 | 76- 78 | 2 | 2 | | | |
| 26346-080002 | U-NUT M8 | 76- 79 | 1 | 1 | | | |
| 26346-080002 | U-NUT M8 | 77- 50 | | | 2 | 2 | |
| 26346-080002 | U-NUT M8 | 78- 65 | | | 2 | 2 | |
| 26346-120002 | U-NUT M12 | 67- 38 | 2 | 2 | | | |
| 26346-120002 | U-NUT M12 | 68- 11 | 2 | 2 | | | |
| 26346-120002 | U-NUT M12 | 69- 9 | 2 | 2 | | | |
| 26346-120002 | U-NUT M12 | 70- 11 | 2 | 2 | | | |
| 26346-120002 | U-NUT M12 | 71- 33 | | | 2 | 2 | |
| 26346-120002 | U-NUT M12 | 72- 8 | | | 2 | 2 | |
| 26347-080002 | U-NUT M8 | 73- 50 | 2 | 2 | | | |
| 26347-080002 | U-NUT M8 | 77- 50 | | | 2 | 2 | |
| 26347-120002 | U-NUT M12 | 67- 38 | 2 | 2 | | | |
| 26347-120002 | U-NUT M12 | 68- 11 | 2 | 2 | | | |
| 26347-120002 | U-NUT M12 | 70- 11 | 2 | 2 | | | |
| 26347-120002 | U-NUT M12 | 71- 33 | | | 2 | 2 | |
| 26347-120002 | U-NUT M12 | 72- 8 | | | 2 | 2 | |
| 26557-040122 | SCREW M4 x 12 | 67- 12 | 6 | 6 | | | |
| 26557-040122 | SCREW M4 x 12 | 67- 14 | 6 | 6 | | | |
| 26557-040122 | SCREW M4 x 12 | 67- 30 | 6 | 6 | | | |
| 26557-040122 | SCREW M4 x 12 | 67- 32 | 6 | 6 | | | |
| 26557-040122 | SCREW M4 x 12 | 71- 10 | | | 6 | 6 | |
| 26557-040122 | SCREW M4 x 12 | 71- 12 | | | 6 | 6 | |
| 26557-040122 | SCREW M4 x 12 | 71- 26 | | | 6 | 6 | |
| 26557-040122 | SCREW M4 x 12 | 71- 28 | | | 6 | 6 | |
| 26557-040202 | SCREW M4 x 20 | 63- 48 | 4 | 4 | | | |
| 26557-040202 | SCREW M4 x 20 | 63- 58 | 4 | 4 | | | |
| 26557-040202 | SCREW M4 x 20 | 64- 48 | 4 | 4 | | | |
| 26557-060122 | SCREW M6 x 12 | 73- 48 | 1 | 1 | | | |
| 26557-060122 | SCREW M6 x 12 | 74- 46 | 1 | 1 | | | |
| 26557-060122 | SCREW M6 x 12 | 76- 46 | 1 | 1 | | | |
| 26557-060122 | SCREW M6 x 12 | 77- 48 | | | 1 | 1 | |
| 26557-060122 | SCREW M6 x 12 | 78- 46 | | | 1 | 1 | |
| 26557-080162 | SCREW M8 x 16 | 19- 21 | 2 | 2 | | | |
| 26557-080162 | SCREW M8 x 16 | 83- 5 | 2 | 2 | 2 | 2 | |
| 26577-080162 | SCREW M8 x 16 | 21- 16 | 2 | 2 | | | |
| 26587-060122 | SCREW M6 x 12 | 62- 38 | 2 | 2 | | | |
| 26587-060122 | SCREW M6 x 12 | 66- 39 | | | 2 | 2 | |
| 26587-060162 | SCREW M6 x 16 | 67- 60 | 4 | 4 | | | |
| 26587-060162 | SCREW M6 x 16 | 68- 30 | 2 | 2 | | | |

| Part No. | Description | Refer. No. | Qty/Unit | | | | Remarks |
|--------------|---------------|------------|----------|--------|-------|--------|---------|
| | | | YMI55 | YMI55D | YMI35 | YMI35D | |
| 26587-060162 | SCREW M6 x 16 | 69- 20 | 2 | 2 | | | |
| 26587-060162 | SCREW M6 x 16 | 70- 30 | 2 | 2 | | | |
| 26587-060162 | SCREW M6 x 16 | 71- 51 | | | 4 | 4 | |
| 26587-060162 | SCREW M6 x 16 | 72- 23 | | | 4 | 4 | |
| 26587-060202 | SCREW M6 x 10 | 61- 41 | 2 | 2 | | | |
| 26587-060202 | SCREW M6 x 20 | 62- 32 | 2 | 2 | | | |
| 26587-060202 | SCREW M6 x 20 | 63- 31 | 2 | 2 | | | |
| 26587-060202 | SCREW M6 x 20 | 64- 30 | 2 | 2 | | | |
| 26587-060202 | SCREW M6 x 10 | 65- 39 | | | 2 | 2 | |
| 26587-060202 | SCREW M6 x 12 | 65- 45 | | | 2 | 2 | |
| 26587-060202 | SCREW M6 x 20 | 66- 33 | | | 2 | 2 | |
| 26587-060302 | SCREW M6 x 30 | 68- 41 | 2 | 2 | | | |
| 26587-060302 | SCREW M6 x 30 | 70- 41 | 2 | 2 | | | |
| 26587-060352 | SCREW M6 x 35 | 68- 41 | 2 | 2 | | | |
| 26587-060352 | SCREW M6 x 35 | 69- 28 | 2 | 2 | | | |
| 26637-060002 | NUT M6, wing | 61- 8 | 2 | 2 | | | |
| 26637-060002 | NUT M6, wing | 63- 95 | 2 | 2 | | | |
| 26637-060002 | NUT M6, wing | 64- 65 | 2 | 2 | | | |
| 26637-060002 | NUT M6, wing | 65- 8 | | | 2 | 2 | |
| 26716-040002 | NUT M4 | 67- 66 | 6 | 6 | | | |
| 26716-040002 | NUT M4 | 67- 69 | 6 | 6 | | | |
| 26716-040002 | NUT M4 | 71- 57 | | | 6 | 6 | |
| 26716-040002 | NUT M4 | 71- 60 | | | 6 | 6 | |
| 26716-050002 | NUT M5 | 61- 28 | 2 | 2 | | | |
| 26716-050002 | NUT M5 | 62- 22 | 2 | 2 | | | |
| 26716-050002 | NUT M5 | 63- 49 | 4 | 4 | | | |
| 26716-050002 | NUT M5 | 63- 59 | 4 | 4 | | | |
| 26716-050002 | NUT M5 | 63- 70 | 2 | 2 | | | |
| 26716-050002 | NUT M5 | 63- 90 | 2 | 2 | | | |
| 26716-050002 | NUT M5 | 64- 60 | 2 | 2 | | | |
| 26716-050002 | NUT M5 | 65- 28 | | | 2 | 2 | |
| 26716-050002 | NUT M5 | 66- 23 | | | 2 | 2 | |
| 26716-050002 | NUT M5 | 74- 56 | 2 | 2 | | | |
| 26716-050002 | NUT M5 | 78- 56 | | | 2 | 2 | |
| 26716-060002 | NUT M6 | 19- 33 | 1 | 1 | | | |
| 26716-060002 | NUT M6 | 58- 65 | 2 | 2 | 2 | 2 | |
| 26716-060002 | NUT M6 | 59- 35 | 1 | 1 | 1 | 1 | |
| 26716-060002 | NUT M6 | 62- 39 | 2 | 2 | | | |
| 26716-060002 | NUT M6 | 62- 50 | 3 | 3 | | | |
| 26716-060002 | NUT M6 | 65- 46 | | | 2 | 2 | |
| 26716-060002 | NUT M6 | 66- 40 | | | 2 | 2 | |
| 26716-060002 | NUT M6 | 67- 61 | 4 | 4 | | | |
| 26716-060002 | NUT M6 | 68- 31 | 4 | 4 | | | |
| 26716-060002 | NUT M6 | 69- 21 | 4 | 4 | | | |
| 26716-060002 | NUT M6 | 70- 31 | 4 | 4 | | | |

NUMERICAL PART NO. LIST

| Part No. | Description | Refer. No. | Q'ty/Unit | | | | Remarks |
|--------------|-------------|------------|-----------|--------|-------|--------|---------|
| | | | YMI55 | YMI55D | YMI35 | YMI35D | |
| 26716-060002 | NUT M6 | 71- 52 | | | 4 | 4 | |
| 26716-060002 | NUT M6 | 72- 24 | | | 4 | 4 | |
| 26716-060002 | NUT M6 | 74- 53 | 4 | 4 | | | |
| 26716-060002 | NUT M6 | 76- 80 | 1 | 1 | | | |
| 26716-060002 | NUT M6 | 78- 53 | | | 4 | 4 | |
| 26716-060002 | NUT M6 | 94- 43 | 4 | 4 | | | |
| 26716-080002 | NUT M8 | 18- 10 | 1 | 1 | | | |
| 26716-080002 | NUT M8 | 19- 30 | 2 | 2 | | | |
| 26716-080002 | NUT M8 | 20- 10 | | | 1 | 1 | |
| 26716-080002 | NUT M8 | 21- 14 | 6 | 6 | | | |
| 26716-080002 | NUT M8 | 22- 14 | | | 2 | 2 | |
| 26716-080002 | NUT M8 | 22- 24 | | | 4 | 4 | |
| 26716-080002 | NUT M8 | 34- 45 | 1 | 1 | 1 | 1 | |
| 26716-080002 | NUT M8 | 35- 45 | 1 | 1 | | | |
| 26716-080002 | NUT M8 | 47- 42 | 2 | 2 | | | |
| 26716-080002 | NUT M8 | 47- 47 | 8 | 8 | | | |
| 26716-080002 | NUT M8 | 48- 42 | 2 | 2 | | | |
| 26716-080002 | NUT M8 | 48- 47 | 8 | 8 | | | |
| 26716-080002 | NUT M8 | 49- 42 | | | 2 | 2 | |
| 26716-080002 | NUT M8 | 49- 47 | | | 8 | 8 | |
| 26716-080002 | NUT M8 | 67- 41 | 4 | 4 | | | |
| 26716-080002 | NUT M8 | 68- 14 | 4 | 4 | | | |
| 26716-080002 | NUT M8 | 69- 11 | 4 | 4 | | | |
| 26716-080002 | NUT M8 | 70- 14 | 4 | 4 | | | |
| 26716-080002 | NUT M8 | 73- 54 | 2 | 2 | | | |
| 26716-080002 | NUT M8 | 73- 58 | 2 | 2 | | | |
| 26716-080002 | NUT M8 | 74- 57 | 2 | 2 | | | |
| 26716-080002 | NUT M8 | 74- 60 | 2 | 2 | | | |
| 26716-080002 | NUT M8 | 75- 34 | 2 | 2 | | | |
| 26716-080002 | NUT M8 | 75- 35 | 2 | 2 | | | |
| 26716-080002 | NUT M8 | 76- 52 | 2 | 2 | | | |
| 26716-080002 | NUT M8 | 76- 65 | 2 | 2 | | | |
| 26716-080002 | NUT M8 | 76- 66 | 2 | 2 | | | |
| 26716-080002 | NUT M8 | 76- 81 | 2 | 2 | | | |
| 26716-080002 | NUT M8 | 77- 54 | | | 2 | 2 | |
| 26716-080002 | NUT M8 | 77- 59 | | | 2 | 2 | |
| 26716-080002 | NUT M8 | 78- 57 | | | 2 | 2 | |
| 26716-080002 | NUT M8 | 78- 60 | | | 2 | 2 | |
| 26716-080002 | NUT M8 | 85- 5 | 1 | 1 | 1 | 1 | |
| 26716-080002 | NUT M8 | 88- 4 | | | 1 | 1 | |
| 26716-080002 | NUT M8 | 88- 4 | | | 1 | 1 | |
| 26716-080002 | NUT M8 | 94- 31 | 3 | 3 | | | |
| 26716-100002 | NUT M10 | 18- 5 | 1 | 1 | | | |
| 26716-100002 | NUT M10 | 19- 5 | 1 | 1 | | | |
| 26716-100002 | NUT M10 | 20- 5 | | | 1 | 1 | |

- 57 -

NUMERICAL PART NO. LIST

| Part No. | Description | Refer. No. | Q'ty/Unit | | | | Remarks |
|--------------|-------------|------------|-----------|--------|-------|--------|---------|
| | | | YMI55 | YMI55D | YMI35 | YMI35D | |
| 26716-100002 | NUT M10 | 21- 6 | 1 | 1 | | | |
| 26716-100002 | NUT M10 | 22- 6 | | | 1 | 1 | |
| 26716-100002 | NUT M10 | 25- 68 | | 4 | | | |
| 26716-100002 | NUT M10 | 26- 68 | | | | 4 | |
| 26716-100002 | NUT M10 | 28- 13 | 1 | 1 | | | |
| 26716-100002 | NUT M10 | 30- 36 | 2 | 2 | | | |
| 26716-100002 | NUT M10 | 31- 36 | 2 | 2 | | | |
| 26716-100002 | NUT M10 | 32- 36 | | | 2 | 2 | |
| 26716-100002 | NUT M10 | 33- 36 | | | 2 | 2 | |
| 26716-100002 | NUT M10 | 41- 64 | 2 | 2 | | | |
| 26716-100002 | NUT M10 | 42- 14 | 2 | 2 | | | |
| 26716-100002 | NUT M10 | 43- 64 | | | 2 | 2 | |
| 26716-100002 | NUT M10 | 44- 27 | 1 | 1 | | | |
| 26716-100002 | NUT M10 | 45- 27 | 1 | 1 | | | |
| 26716-100002 | NUT M10 | 46- 27 | | | 1 | 1 | |
| 26716-100002 | NUT M10 | 53- 32 | | 12 | | | |
| 26716-100002 | NUT M10 | 56- 35 | | | 12 | | |
| 26716-100002 | NUT M10 | 57- 32 | | | | 12 | |
| 26716-100002 | NUT M10 | 73- 29 | 2 | 2 | | | |
| 26716-100002 | NUT M10 | 74- 29 | 2 | 2 | | | |
| 26716-100002 | NUT M10 | 75- 19 | 2 | 2 | | | |
| 26716-100002 | NUT M10 | 75- 38 | 2 | 2 | | | |
| 26716-100002 | NUT M10 | 76- 29 | 2 | 2 | | | |
| 26716-100002 | NUT M10 | 77- 29 | | | 2 | 2 | |
| 26716-100002 | NUT M10 | 78- 29 | | | 2 | 2 | |
| 26716-100002 | NUT M10 | 93- 7 | | | 12 | 12 | |
| 26716-100002 | NUT M10 | 93- 22 | | | 12 | 12 | |
| 26716-100002 | NUT M10 | 94- 35 | 6 | 6 | | | |
| 26716-100002 | NUT M10 | 95- 27 | | | 4 | 4 | |
| 26716-120002 | NUT M12 | 30- 34 | 7 | 7 | | | |
| 26716-120002 | NUT M12 | 31- 34 | 7 | 7 | | | |
| 26716-120002 | NUT M12 | 32- 34 | | | 7 | 7 | |
| 26716-120002 | NUT M12 | 33- 34 | | | 7 | 7 | |
| 26716-120002 | NUT M12 | 41- 39 | 4 | 4 | | | |
| 26716-120002 | NUT M12 | 42- 39 | 4 | 4 | | | |
| 26716-120002 | NUT M12 | 43- 39 | | | 4 | 4 | |
| 26716-120002 | NUT M10 | 52- 35 | 12 | | | | |
| 26716-120002 | NUT M12 | 76- 67 | 4 | 4 | | | |
| 26716-120002 | NUT M12 | 79- 9 | 2 | 2 | | | |
| 26716-120002 | NUT M12 | 80- 9 | 2 | 2 | | | |
| 26716-120002 | NUT M12 | 81- 16 | 1 | 1 | 1 | 1 | |
| 26716-120002 | NUT M12 | 81- 27 | 1 | 1 | 1 | 1 | |
| 26716-120002 | NUT M12 | 82- 16 | 1 | 1 | 1 | 1 | |
| 26716-120002 | NUT M12 | 82- 27 | 1 | 1 | 1 | 1 | |
| 26716-140002 | NUT M14 | 79- 2 | 4 | 4 | | | |

NUMERICAL PART NO. LIST

| Part No. | Description | Refer. No. | Q'ty/Unit | | | | Remarks |
|----------------|------------------------------|------------|-----------|--------|-------|--------|---------|
| | | | YMI55 | YMI55D | YMI35 | YMI35D | |
| 794081-54101 | WORK LIGHT | 85- 2 | 1 | 1 | 1 | 1 | |
| 794130-55100 | LAMP ASS'Y, oil pressure | 61- 45 | 1 | 1 | | | |
| 794130-55100 | LAMP ASS'Y, oil pressure | 62- 36 | 1 | 1 | | | |
| 794130-55100 | LAMP ASS'Y, oil pressure | 65- 43 | | | 1 | 1 | |
| 794130-55100 | LAMP ASS'Y, oil pressure | 66- 37 | | | 1 | 1 | |
| 794130-71410 | PIN ASS'Y, ball & socket | 81- 4 | 2 | 2 | 2 | 2 | |
| 794130-71410 | PIN ASS'Y, ball & socket | 81- 14 | 1 | 1 | 1 | 1 | |
| 794130-71410 | PIN ASS'Y, ball & socket | 81- 25 | 1 | 1 | 1 | 1 | |
| 794130-71410 | PIN ASS'Y, ball & socket | 81- 41 | 4 | 4 | 4 | 4 | |
| 794130-71410 | PIN ASS'Y, ball & socket | 82- 4 | 2 | 2 | 2 | 2 | |
| 794130-71410 | PIN ASS'Y, ball & socket | 82- 14 | 1 | 1 | 1 | 1 | |
| 794130-71410 | PIN ASS'Y, ball & socket | 82- 25 | 1 | 1 | 1 | 1 | |
| 794130-71410 | PIN ASS'Y, ball & socket | 82- 41 | 4 | 4 | 4 | 4 | |
| 794130-74140 | PIN, ball socket | 80- 10 | 1 | 1 | | | |
| 794150-55400 | PILOT LAMP ASS'Y, water | 61- 43 | 1 | 1 | | | |
| 794150-55400 | PILOT LAMP ASS'Y, water | 65- 41 | | | 1 | 1 | |
| 794150-71090-X | LINK, complete, top | 82- 5 | 1 | 1 | 1 | 1 | |
| 794150-71260-X | EYE BOLT(L) w/BALL, top link | 81- 7 | 1 | 1 | 1 | 1 | |
| 794150-71260-X | EYE BOLT(L) w/BALL, top link | 82- 7 | 1 | 1 | 1 | 1 | |
| 794150-71360-X | EYE BOLR(R) w/BALL, top link | 81- 8 | 1 | 1 | 1 | 1 | |
| 794150-71360-X | EYE BOLT(R) w/BALL, top link | 82- 8 | 1 | 1 | 1 | 1 | |
| 794150-74601 | CHECK CHAIN ASS'Y | 81- 31 | 2 | 2 | 2 | 2 | |
| 794150-74601 | CHECK CHAIN ASS'Y | 82- 31 | 2 | 2 | 2 | 2 | |
| 794150-74700 | CHECK CHAIN, complete, front | 81- 32 | 2 | 2 | 2 | 2 | |
| 794150-74700 | CHECK CHAIN, complete, front | 82- 32 | 2 | 2 | 2 | 2 | |
| 794150-74801-X | CHECK CHAIN, complete, rear | 81- 34 | 2 | 2 | 2 | 2 | |
| 794150-74801-X | CHECK CHAIN, complete, rear | 82- 34 | 2 | 2 | 2 | 2 | |
| 794200-11850-Q | TIRE ASS'Y, front wheel | 52- 1 | 2 | | | | |
| 794200-11850-P | TIRE ASS'Y, front wheel | 56- 1 | | | 2 | | |
| 794200-11850-P | TIRE ASS'Y, front wheel | 50- 1 | 2 | | | | |
| 794200-11850-P | TIRE ASS'Y, front wheel | 54- 1 | | | 2 | | |
| 794200-11850-Q | TIRE ASS'Y, front wheel | 50- 1 | 2 | | | | |
| 794200-15100-X | BODY w/BUSH | 28- 9 | 1 | 1 | | | |
| 794200-15101-X | STEERING GEAR ASS'Y | 28- 1 | 1 | 1 | | | |
| 794200-15150-X | COVER, side | 28- 11 | 1 | 1 | | | |
| 794200-15200-X | COLUMN | 28- 2 | 1 | 1 | | | |
| 794200-15500 | BALL NUT COMP. | 28- 6 | 1 | 1 | | | |
| 794200-15710 | STEERING WHEEL COMPLETE | 28- 38 | 1 | 1 | | | |
| 794200-21400 | CLUTCH DISK ASS'Y | 30- 38 | 1 | 1 | | | |
| 794200-21400 | CLUTCH DISK ASS'Y | 31- 38 | 1 | 1 | | | |
| 794200-21400 | CLUTCH DISK ASS'Y | 32- 38 | | | 1 | 1 | |
| 794200-21400 | CLUTCH DISK ASS'Y | 33- 38 | | | 1 | 1 | |
| 794200-21700 | PRESSURE PLATE ASS'Y | 30- 39 | 1 | 1 | | | |
| 794200-21700 | PRESSURE PLATE ASS'Y | 31- 39 | 1 | 1 | | | |
| 794200-21700 | PRESSURE PLATE ASS'Y | 32- 39 | | | 1 | 1 | |

- 59 -

NUMERICAL PART NO. LIST

| Part No. | Description | Refer. No. | Q'ty/Unit | | | | Remarks |
|----------------|------------------------------|------------|-----------|--------|-------|--------|---------|
| | | | YMI55 | YMI55D | YMI35 | YMI35D | |
| 794200-21700 | PRESSURE PLATE ASS'Y | 33- 39 | | | 1 | 1 | |
| 794200-22050 | BEARING SLEEVE ASS'Y | 30- 19 | 1 | 1 | | | |
| 794200-22050 | BEARING SLEEVE ASS'Y | 31- 19 | 1 | 1 | | | |
| 794200-22050 | BEARING SLEEVE ASS'Y | 32- 19 | | | 1 | 1 | |
| 794200-22050 | BEARING SLEEVE ASS'Y | 32- 19 | | | 1 | 1 | |
| 794200-22050 | BEARING SLEEVE ASS'Y | 33- 19 | | | 1 | 1 | |
| 794200-22050 | BEARING SLEEVE ASS'Y | 33- 19 | | | 1 | 1 | |
| 794200-24100-X | HOUSING ASS'Y, transmission | 34- 1 | 1 | 1 | | | |
| 794200-24350 | OIL PLUG 30 w/PLATE | 34- 23 | 1 | 1 | | | |
| 794200-31550 | HOUSING ASS'Y, differential | 27- 36 | | 1 | | 1 | |
| 794200-31550 | HOUSING ASS'Y, differential | 41- 1 | 1 | 1 | | | |
| 794200-31550 | HOUSING ASS'Y, differential | 43- 1 | | 1 | | 1 | |
| 794200-31551 | HOUSING ASS'Y, differential | 27- 36 | | 1 | | 1 | |
| 794200-31551 | HOUSING ASS'Y, differential | 41- 1 | 1 | 1 | | | |
| 794200-31551 | HOUSING ASS'Y, differential | 42- 1 | 1 | 1 | | | |
| 794200-31551 | HOUSING ASS'Y, differential | 43- 1 | | 1 | | 1 | |
| 794200-32500 | HOUSING (L) ASS'Y, rear axle | 41- 31 | 1 | 1 | | | |
| 794200-32500-X | HOUSING (L) ASS'Y, rear axle | 42- 31 | 1 | 1 | | | |
| 794200-32500 | HOUSING (L) ASS'Y, rear axle | 43- 31 | | 1 | | 1 | |
| 794200-32500-X | HOUSING (L) ASS'Y, rear axle | 41- 31 | 1 | 1 | | | |
| 794200-32500-X | HOUSING (L) ASS'Y, rear axle | 43- 31 | | 1 | | 1 | |
| 794200-32600 | HOUSING (R) ASS'Y, rear axle | 41- 35 | 1 | 1 | | | |
| 794200-32600 | HOUSING (R) ASS'Y, rear axle | 43- 35 | | 1 | | 1 | |
| 794200-32600-X | HOUSING (R) ASS'Y, rear axle | 41- 35 | 1 | 1 | | | |
| 794200-32600-X | HOUSING (R) ASS'Y, rear axle | 43- 35 | | 1 | | 1 | |
| 794200-36001-X | BRAKE (L) ASS'Y | 48- 1 | 1 | 1 | | | |
| 794200-36001-X | BRAKE (L) ASS'Y | 47- 1 | 1 | 1 | | | |
| 794200-36001-X | BRAKE (L) ASS'Y | 49- 1 | | | 1 | 1 | |
| 794200-36011-X | BRAKE (R) ASS'Y | 47- 8 | 1 | 1 | | | |
| 794200-36011-X | BRAKE (R) ASS'Y | 48- 8 | 1 | 1 | | | |
| 794200-36011-X | BRAKE (R) ASS'Y | 49- 8 | | | 1 | 1 | |
| 794200-42000-X | LIFT ASS'Y, hydraulic | 58- 1 | 1 | 1 | 1 | 1 | |
| 794200-43080 | HEAD ASS'Y, cylinder | 58- 11 | 1 | 1 | 1 | 1 | |
| 794200-43100-X | HEAD ASS'Y, cylinder | 58- 11 | 1 | 1 | 1 | 1 | |
| 794200-45100 | VALVE ASS'Y, control | 59- 1 | 1 | 1 | 1 | 1 | |
| 794200-52100 | SWITCH ASS'Y, horn | 61- 29 | 1 | 1 | | | |
| 794200-52100 | SWITCH ASS'Y, horn | 62- 23 | 1 | 1 | | | |
| 794200-52100 | SWITCH ASS'Y, horn | 63- 11 | 1 | 1 | | | |
| 794200-52100 | SWITCH ASS'Y, horn | 64- 11 | 1 | 1 | | | |
| 794200-52100 | SWITCH ASS'Y, horn | 65- 29 | | | 1 | 1 | |
| 794200-52100 | SWITCH ASS'Y, horn | 66- 24 | | | 1 | 1 | |
| 794200-53350 | TURN SIGNAL, complete | 84- 2 | | | 2 | 2 | |
| 794200-63100 | SEAT, complete, operator's | 73- 33 | 1 | 1 | | | |
| 794200-63100 | SEAT, complete, operator's | 74- 33 | 1 | 1 | | | |
| 794200-63100 | SEAT, complete, operator's | 77- 33 | | | 1 | 1 | |

NUMERICAL PART NO. LIST

| Part No. | Description | Refer. No. | Q'ty/Unit | | | | Remarks |
|----------------|------------------------------|------------|-----------|--------|-------|--------|---------|
| | | | YMI55 | YMI55D | YMI35 | YMI35D | |
| | | | | | | | |
| 794200-64100 | REAR-VIEW MIRROR, complete | 87- 2 | 1 | 1 | | | |
| 794200-64100 | REAR-VIEW MIRROR, complete | 88- 2 | 1 | 1 | 1 | 1 | |
| 794200-64200 | REAR-VIEW MIRROR ASS'Y | 87- 1 | 1 | 1 | | | |
| 794200-82100 | TOOL KIT | 90- 1 | 1 | 1 | 1 | 1 | |
| 794210-12910 | TIRE ASS'Y (L), front wheel | 51- 1 | | 1 | | | |
| 794210-12910 | TIRE ASS'Y (L), front wheel | 53- 1 | | 1 | | | |
| 794210-12910 | TIRE ASS'Y (L), front wheel | 57- 1 | | | 1 | | |
| 794210-12910-P | TIRE ASS'Y (L), front wheel | 55- 1 | | | 1 | | |
| 794210-12920 | TIRE ASS'Y (R), front wheel | 51- 6 | | 1 | | | |
| 794210-12920 | TIRE ASS'Y (R), front wheel | 53- 6 | | 1 | | | |
| 794210-12920 | TIRE ASS'Y (R), front wheel | 57- 6 | | | 1 | | |
| 794210-12920-P | TIRE ASS'Y (R), front wheel | 55- 6 | | | 1 | | |
| 794210-12930 | TIRE ASS'Y 5-12, front wheel | 51- 2 | | 2 | | | |
| 794210-12930 | TIRE ASS'Y 5-12, front wheel | 51- 7 | | 2 | | | |
| 794210-12930 | TIRE ASS'Y 5-12, front wheel | 53- 2 | | 2 | | | |
| 794210-12930 | TIRE ASS'Y 5-12, front wheel | 53- 7 | | 2 | | | |
| 794210-12930 | TIRE ASS'Y 5-12, front wheel | 55- 2 | | | 2 | | |
| 794210-12930 | TIRE ASS'Y 5-12, front wheel | 55- 7 | | | 2 | | |
| 794210-12930 | TIRE ASS'Y 5-12, front wheel | 57- 2 | | | 2 | | |
| 794210-12930 | TIRE ASS'Y 5-12, front wheel | 57- 7 | | | 2 | | |
| 794210-13300 | PROPELLER SHAFT ASS'Y | 27- 1 | | 1 | 1 | | |
| 794210-13300-X | PROPELLER SHAFT ASS'Y | 27- 1 | | 1 | 1 | | |
| 794210-13750 | OIL PLUG 30 w/PLATE | 25- 31 | | 1 | | | |
| 794210-13750 | OIL PLUG 30 w/PLATE | 26- 31 | | | 1 | | |
| 794210-13802-X | GEAR CASE ASS'Y, upper front | 26- 63 | | | 2 | | |
| 794210-13802-X | GEAR CASE ASS'Y, upper front | 25- 63 | | 2 | | | |
| 794210-24100-X | HOUSING ASS'Y, transmission | 34- 4 | | 1 | 1 | | |
| 794210-24350 | OIL PLUG 30 w/PLATE | 34- 27 | | 1 | 1 | | |
| 794241-21000 | HOUSING ASS'Y, clutch | 30- 10 | | 1 | | | |
| 794241-21000 | HOUSING ASS'Y, clutch | 31- 10 | | 1 | | | |
| 794262-15110-X | BODY w/BUSH | 29- 8 | | | 1 | 1 | |
| 794262-15500 | BALL NUT COMP. | 29- 6 | | 1 | 1 | | |
| 794262-15710 | STEERING WHEEL COMPLETE | 29- 35 | | 1 | 1 | | |
| 794262-64200 | REAR-VIEW MIRROR ASS'Y | 88- 1 | | 1 | 1 | | |
| 794340-00000-X | 3-POINT HITCH ASS'Y | 82- 1 | 1 | 1 | 1 | 1 | |
| 794340-00010 | 3-POINT HITCH ASS'Y | 81- 1 | 1 | 1 | 1 | 1 | |
| 794340-00030-X | LINK ASS'Y, top | 82- 2 | 1 | 1 | 1 | 1 | |
| 794340-00040 | LINK ASS'Y, top | 81- 2 | 1 | 1 | 1 | 1 | |
| 794340-00050-X | LINK ASS'Y (L), lift | 81- 10 | 1 | 1 | 1 | 1 | |
| 794340-00050-X | LINK ASS'Y (L), lift | 82- 10 | 1 | 1 | 1 | 1 | |
| 794340-01450-X | PEDAL ASS'Y, throttle | 83- 1 | 1 | 1 | 1 | 1 | |
| 794340-10060-X | LINK ASS'Y (R), lift | 81- 18 | 1 | 1 | 1 | 1 | |
| 794340-10060-X | LINK ASS'Y (R), lift | 82- 18 | 1 | 1 | 1 | 1 | |
| 794340-10061-X | LINK ASS'Y (R), lift | 81- 18 | 1 | 1 | 1 | 1 | |
| 794340-10061-X | LINK ASS'Y (R), lift | 82- 18 | 1 | 1 | 1 | 1 | |

- 09 -

NUMERICAL PART NO. LIST

| Part No. | Description | Refer. No. | Q'ty/Unit | | | | Remarks |
|----------------|-----------------------------|------------|-----------|--------|-------|--------|---------|
| | | | YMI55 | YMI55D | YMI35 | YMI35D | |
| | | | | | | | |
| 794340-11900 | TIRE ASS'Y (TURF), 6-12F.D. | 91- 2 | 2 | 2 | | | |
| 794340-11900 | TIRE ASS'Y (TURF), 6-12F.D. | 92- 2 | 2 | 2 | | | |
| 794340-12900 | FRONT TIRE ASS'Y (TURF) | 91- 1 | 2 | 2 | | | |
| 794340-12900 | FRONT TIRE ASS'Y (TURF) | 92- 1 | 2 | 2 | | | |
| 794340-15100-X | STEERING GEAR ASS'Y | 28- 1 | 1 | 1 | | | |
| 794340-15110-X | BODY w/BUSH | 28- 9 | 1 | 1 | | | |
| 794340-15150-X | COVER, side | 28- 11 | 1 | 1 | | | |
| 794340-15500 | BALL NUT COMP. | 28- 6 | 1 | 1 | | | |
| 794340-21000-X | HOUSING ASS'Y, clutch | 30- 1 | 1 | | | | |
| 794340-21000-X | HOUSING ASS'Y, clutch | 31- 1 | 1 | | | | |
| 794340-21001-X | HOUSING ASS'Y, clutch | 30- 1 | 1 | | | | |
| 794340-21001-X | HOUSING ASS'Y, clutch | 31- 1 | 1 | | | | |
| 794340-22100 | CLUTCH RELEASE SHAFT ASS'Y | 30- 23 | 1 | 1 | | | |
| 794340-22100 | CLUTCH RELEASE SHAFT ASS'Y | 31- 23 | 1 | 1 | | | |
| 794340-22100 | CLUTCH RELEASE SHAFT ASS'Y | 32- 23 | | | 1 | 1 | |
| 794340-22100 | CLUTCH RELEASE SHAFT ASS'Y | 33- 23 | | | 1 | 1 | |
| 794340-24100-X | HOUSING ASS'Y, transmission | 34- 1 | 1 | | 1 | | |
| 794340-24100-X | HOUSING ASS'Y, transmission | 35- 1 | 1 | | 1 | | |
| 794340-24150-X | GEAR HOUSING ASS'Y, | 34- 11 | 1 | 1 | 1 | 1 | |
| 794340-24150-X | GEAR HOUSING ASS'Y, | 35- 11 | 1 | 1 | | | |
| 794340-24350 | OIL PLUG 30 w/PLATE | 34- 23 | 1 | | 1 | | |
| 794340-34600 | TIRE ASS'Y (TURF), 8-16F.D. | 91- 7 | 2 | 2 | | | |
| 794340-34600 | TIRE ASS'Y (TURF), 8-16F.D. | 92- 7 | 2 | 2 | | | |
| 794340-34700 | REAR TIRE ASS'Y (TURF) | 91- 6 | 2 | 2 | | | |
| 794340-34700 | REAR TIRE ASS'Y (TURF) | 92- 6 | 2 | 2 | | | |
| 794340-34810 | TIRE ASS'Y (L), rear wheel | 50- 17 | 1 | | | | |
| 794340-34810 | TIRE ASS'Y (L), rear wheel | 51- 14 | | 1 | | | |
| 794340-34810 | TIRE ASS'Y (L), rear wheel | 52- 17 | 1 | | | | |
| 794340-34810 | TIRE ASS'Y (L), rear wheel | 53- 14 | | 1 | | | |
| 794340-34820 | TIRE ASS'Y (R), rear wheel | 50- 22 | 1 | | | | |
| 794340-34820 | TIRE ASS'Y (R), rear wheel | 51- 19 | | 1 | | | |
| 794340-34820 | TIRE ASS'Y (R), rear wheel | 52- 22 | 1 | | | | |
| 794340-34820 | TIRE ASS'Y (R), rear wheel | 53- 19 | | 1 | | | |
| 794340-34930 | TIRE ASS'Y, rear | 50- 18 | 1 | | | | |
| 794340-34930 | TIRE ASS'Y, rear | 50- 23 | 1 | | | | |
| 794340-34930 | TIRE ASS'Y, rear | 51- 15 | | 1 | | | |
| 794340-34930 | TIRE ASS'Y, rear | 51- 20 | | 1 | | | |
| 794340-34930 | TIRE ASS'Y, rear | 52- 18 | 1 | | | | |
| 794340-34930 | TIRE ASS'Y, rear | 52- 23 | 1 | | | | |
| 794340-34930 | TIRE ASS'Y, rear | 53- 15 | | 1 | | | |
| 794340-34930 | TIRE ASS'Y, rear | 53- 20 | | 1 | | | |
| 794340-52200 | FUSE BOX ASS'Y | 61- 35 | 1 | 1 | | | |
| 794340-52200 | FUSE BOX ASS'Y | 62- 26 | 1 | 1 | | | |
| 794340-52200 | FUSE BOX ASS'Y | 65- 33 | | | 1 | 1 | |
| 794340-52200 | FUSE BOX ASS'Y | 66- 27 | | | 1 | 1 | |

NUMERICAL PART NO. LIST

| Part No. | Description | Refer. No. | Q'ty/Unit | | | | Remarks |
|----------------|------------------------------|------------|-----------|--------|-------|--------|---------|
| | | | YMI55 | YMI55D | YMI35 | YMI35D | |
| 794340-53350 | TURN SIGNAL ASS'Y | 84- 1 | | | 2 | 2 | |
| 794340-54100 | WORK LIGHT ASS'Y | 85- 1 | 1 | 1 | 1 | 1 | |
| 794340-55400 | PILOT LAMP ASS'Y, water | 61- 43 | 1 | 1 | | | |
| 794340-55400 | PILOT LAMP ASS'Y, water | 62- 34 | 1 | 1 | | | |
| 794340-55400 | PILOT LAMP ASS'Y, water | 65- 41 | | | 1 | 1 | |
| 794340-55400 | PILOT LAMP ASS'Y, water | 66- 35 | | | 1 | 1 | |
| 794340-61501 | PANEL BOX ASS'Y | 67- 47 | 1 | 1 | | | |
| 794340-61501 | PANEL BOX ASS'Y | 68- 20 | 1 | 1 | | | |
| 794340-61501 | PANEL BOX ASS'Y | 70- 20 | 1 | 1 | | | |
| 794340-62040-P | FENDER (R) w/LABELS | 73- 2 | 1 | | | | |
| 794340-62040-R | FENDER (R) w/LABELS | 73- 2 | 1 | | | | |
| 794340-62050 | FENDER (R) w/LABELS | 74- 2 | 1 | | | | |
| 794340-62050 | FENDER (R) w/LABELS | 76- 2 | 1 | | | | |
| 794340-71090-X | LINK, complete, top | 81- 5 | 1 | 1 | 1 | 1 | |
| 794340-74600 | CHECK CHAIN ASS'Y | 81- 31 | 2 | 2 | 2 | 2 | |
| 794340-74600 | CHECK CHAIN ASS'Y | 82- 31 | 2 | 2 | 2 | 2 | |
| 794340-82100 | TOOL KIT | 90- 1 | 1 | 1 | 1 | 1 | |
| 794340-83101 | FRONT P.T.O. ASS'Y | 94- 1 | 1 | 1 | | | |
| 794341-12910-Q | TIRE ASS'Y (L), front wheel | 53- 1 | | 1 | | | |
| 794341-12910-P | TIRE ASS'Y (L), front wheel | 57- 1 | | | 1 | | |
| 794341-12910-P | TIRE ASS'Y (L), front wheel | 51- 1 | | 1 | | | |
| 794341-12910-P | TIRE ASS'Y (L), front wheel | 55- 1 | | | 1 | | |
| 794341-12910-Q | TIRE ASS'Y (L), front wheel | 51- 1 | | 1 | | | |
| 794341-12920-Q | TIRE ASS'Y (R), front wheel | 53- 6 | | 1 | | | |
| 794341-12920-P | TIRE ASS'Y (R), front wheel | 57- 6 | | | 1 | | |
| 794341-12920-P | TIRE ASS'Y (R), front wheel | 51- 6 | | 1 | | | |
| 794341-12920-P | TIRE ASS'Y (R), front wheel | 55- 6 | | | 1 | | |
| 794341-12920-Q | TIRE ASS'Y (R), front wheel | 51- 6 | | 1 | | | |
| 794341-12930 | TIRE ASS'Y 5-12, front wheel | 51- 2 | | 2 | | | |
| 794341-12930 | TIRE ASS'Y 5-12, front wheel | 51- 7 | | 2 | | | |
| 794341-12930 | TIRE ASS'Y 5-12, front wheel | 53- 2 | | 2 | | | |
| 794341-12930 | TIRE ASS'Y 5-12, front wheel | 53- 7 | | 2 | | | |
| 794341-12930 | TIRE ASS'Y 5-12, front wheel | 55- 2 | | | 2 | | |
| 794341-12930 | TIRE ASS'Y 5-12, front wheel | 55- 7 | | | 2 | | |
| 794341-12930 | TIRE ASS'Y 5-12, front wheel | 57- 2 | | | 2 | | |
| 794341-12930 | TIRE ASS'Y 5-12, front wheel | 57- 7 | | | 2 | | |
| 794341-13750 | OIL PLUG 30 w/PLATE | 25- 31 | | 1 | | | |
| 794341-13750 | OIL PLUG 30 w/PLATE | 26- 31 | | | 1 | | |
| 794341-13800-X | GEAR CASE ASS'Y, upper front | 26- 63 | | | 2 | | |
| 794341-13800-X | GEAR CASE ASS'Y, upper front | 25- 63 | | 2 | | | |
| 794341-21000-X | HOUSING ASS'Y, clutch | 30- 10 | | 1 | | | |
| 794341-21000-X | HOUSING ASS'Y, clutch | 31- 10 | | 1 | | | |
| 794341-21001-X | HOUSING ASS'Y, clutch | 31- 10 | | 1 | | | |
| 794341-24100-X | HOUSING ASS'Y, transmission | 34- 4 | | 1 | 1 | | |
| 794341-24100-X | HOUSING ASS'Y, transmission | 35- 4 | | 1 | | | |

- 61 -

NUMERICAL PART NO. LIST

| Part No. | Description | Refer. No. | Q'ty/Unit | | | | Remarks |
|----------------|-------------------------------|------------|-----------|--------|-------|--------|---------|
| | | | YMI55 | YMI55D | YMI35 | YMI35D | |
| 794341-24350 | OIL PLUG 30 w/PLATE | 34- 27 | | 1 | | 1 | |
| 794341-62040 | FENDER (R) w/LABELS | 73- 8 | | 1 | | | |
| 794341-62050 | FENDER (R) w/LABELS | 74- 8 | | 1 | | | |
| 794341-62050 | FENDER (R) w/LABELS | 76- 8 | | 1 | | | |
| 794345-52400 | FUSE BOX ASS'Y | 61- 35 | 1 | 1 | | | |
| 794345-52400 | FUSE BOX ASS'Y | 62- 26 | 1 | 1 | | | |
| 794345-52400 | FUSE BOX ASS'Y | 63- 25 | 1 | 1 | | | |
| 794345-52400 | FUSE BOX ASS'Y | 65- 33 | | | 1 | 1 | |
| 794345-52400 | FUSE BOX ASS'Y | 66- 27 | | | 1 | 1 | |
| 794390-12900 | FRONT WHEEL TIRE ASS'Y (TURF) | 93- 1 | | | 2 | 2 | |
| 794390-21000-X | HOUSING ASS'Y, clutch | 32- 1 | | | 1 | | |
| 794390-21000-X | HOUSING ASS'Y, clutch | 33- 1 | | | 1 | | |
| 794390-21001-X | HOUSING ASS'Y, clutch | 32- 1 | | | 1 | | |
| 794390-21001-X | HOUSING ASS'Y, clutch | 33- 1 | | | 1 | | |
| 794390-34700 | REAR WHEEL TIRE ASS'Y (TURF) | 93- 13 | | | 2 | 2 | |
| 794390-34810 | TIRE ASS'Y (L), rear wheel | 54- 17 | | | 1 | | |
| 794390-34810 | TIRE ASS'Y (L), rear wheel | 56- 17 | | | 1 | | |
| 794390-34810 | TIRE ASS'Y (L), rear wheel | 57- 14 | | | | 1 | |
| 794390-34820 | TIRE ASS'Y (R), rear wheel | 54- 22 | | | 1 | | |
| 794390-34820 | TIRE ASS'Y (R), rear wheel | 56- 22 | | | 1 | | |
| 794390-34820 | TIRE ASS'Y (R), rear wheel | 57- 19 | | | | 1 | |
| 794390-61501 | PANEL BOX ASS'Y | 71- 38 | | | 1 | 1 | |
| 794390-61501 | PANEL BOX ASS'Y | 72- 13 | | | 1 | 1 | |
| 794390-61502 | PANEL BOX ASS'Y | 71- 38 | | | 1 | 1 | |
| 794390-61502 | PANEL BOX ASS'Y | 72- 13 | | | 1 | 1 | |
| 794390-62040 | FENDER (R) w/LABELS | 77- 2 | | | 1 | | |
| 794390-62040 | FENDER (R) w/LABELS | 78- 2 | | | 1 | | |
| 794390-83100 | FRONT P.T.O. ASS'Y | 95- 1 | | | 1 | 1 | |
| 794390-83101 | FRONT P.T.O. ASS'Y | 95- 1 | | | 1 | 1 | |
| 794391-21000-X | HOUSING ASS'Y, clutch | 32- 10 | | | | 1 | |
| 794391-21000-X | HOUSING ASS'Y, clutch | 33- 10 | | | | 1 | |
| 794391-21001-X | HOUSING ASS'Y, clutch | 32- 10 | | | | 1 | |
| 794391-21001-X | HOUSING ASS'Y, clutch | 33- 10 | | | | 1 | |
| 794391-62040 | FENDER (R) w/LABELS | 77- 8 | | | | 1 | |
| 794391-62040 | FENDER (R) w/LABELS | 78- 8 | | | | 1 | |
| 794730-57122 | TIE-ROD END ASS'Y (RL) | 23- 13 | | 1 | | | |
| 794730-57122 | TIE-ROD END ASS'Y (RL) | 24- 13 | | | 1 | | |
| 794730-57122-X | TIE-ROD END ASS'Y (RL) | 26- 57 | | | | 1 | |
| 794730-57122-X | TIE-ROD END ASS'Y (RL) | 23- 13 | | 1 | | | |
| 794730-57122-X | TIE-ROD END ASS'Y (RL) | 24- 13 | | | | 1 | |
| 794730-57122-X | TIE-ROD END ASS'Y (RL) | 25- 57 | | | 1 | | |
| 794750-52050 | SWITCH, starting | 61- 19 | | 1 | 1 | | |
| 794750-52050 | SWITCH, starting | 65- 19 | | | | 1 | 1 |
| AZ0502-10010 | WEIGHT 20, front | 89- 9 | 3 | 3 | 3 | 3 | |
| AZ0550-10070 | FITTINGS, rear wheel weight | 89- 4 | 2 | 2 | 2 | 2 | |

NUMERICAL PART NO. LIST

| Part No. | Description | Refer. No. | Q'ty/Unit | | | | Remarks |
|----------------|-----------------------|------------|-----------|--------|-------|--------|---------|
| | | | YMI55 | YMI55D | YMI35 | YMI35D | |
| AZ0552-10010 | WEIGHT 20, rear wheel | 89- 2 | 2 | 2 | 2 | 2 | |
| AZ0552-10020 | WEIGHT 25, rear wheel | 89- 3 | 2 | 2 | 2 | 2 | |
| AZ1550-10010 | HINGE, top link | 34- 48 | 1 | 1 | 1 | 1 | |
| AZ1550-10010 | LINK, complete, lower | 82- 40 | 2 | 2 | 2 | 2 | |
| AZ1550-10050 | PIN, lift arm | 81- 15 | 1 | 1 | 1 | 1 | |
| AZ1550-10050 | PIN, lift arm | 81- 26 | 1 | 1 | 1 | 1 | |
| AZ1550-10050 | PIN, lift arm | 82- 15 | 1 | 1 | 1 | 1 | |
| AZ1550-10050 | PIN, lift arm | 82- 26 | 1 | 1 | 1 | 1 | |
| GZ0550-00000 | WEIGHT w/FITTINGS | 89- 1 | 2 | 2 | 2 | 2 | |
| GZ1550-00050-X | LINK ASS'Y (L), lift | 81- 10 | 1 | 1 | 1 | 1 | |
| GZ1550-00050-X | LINK ASS'Y (L), lift | 82- 10 | 1 | 1 | 1 | 1 | |